



US00D658557S

(12) **United States Design Patent**  
**Hakamata et al.**

(10) **Patent No.:** **US D658,557 S**

(45) **Date of Patent:** **\*\* May 1, 2012**

(54) **BODY PANEL FOR AN AUTOMOBILE**

D620,413 S \* 7/2010 Huet ..... D12/196  
D640,958 S 7/2011 Yokoi et al.  
D642,093 S 7/2011 Kubo et al.

(75) Inventors: **Hiroaki Hakamata**, Toyota (JP);  
**Satoshi Kimura**, Nagoya (JP);  
**Yukinobu Morioka**, Ikeda (JP)

**OTHER PUBLICATIONS**

(73) Assignee: **Toyota Jidosha Kabushiki Kaisha**,  
Toyota-shi (JP)

Website: URL:<http://catalog.carsensorlab.net/mazda/mpv>, Mazda  
MPV, Date: Jan. 2008.

Website: URL:<http://www.three2tango.com/car-and-bike-corner/toyota-avanza-the-mini-innova-coming-to-india.html>,  
Toyota Avanza, Date: Dec. 3, 2009.

(\*\*) Term: **14 Years**

Website: URL:<http://techwizardz.blogspot.com/2010/02/toyota-avanza-stills-and-wall-papers.html>,  
Toyota Avanza, Date: Dec. 3, 2009.

(21) Appl. No.: **29/388,408**

\* cited by examiner

(22) Filed: **Mar. 29, 2011**

(51) **LOC (9) Cl.** ..... **12-16**

*Primary Examiner* — Melody N Brown

(52) **U.S. Cl.** ..... **D12/196**

(74) *Attorney, Agent, or Firm* — Finnegan, Henderson,  
Farabow, Garrett & Dunner, LLP

(58) **Field of Classification Search** ..... D12/184,  
D12/196, 90-92; 280/152.1, 847-849, 851;  
296/181.1, 181.5

(57) **CLAIM**

See application file for complete search history.

The ornamental design for a body panel for an automobile, as  
shown and described.

(56) **References Cited**

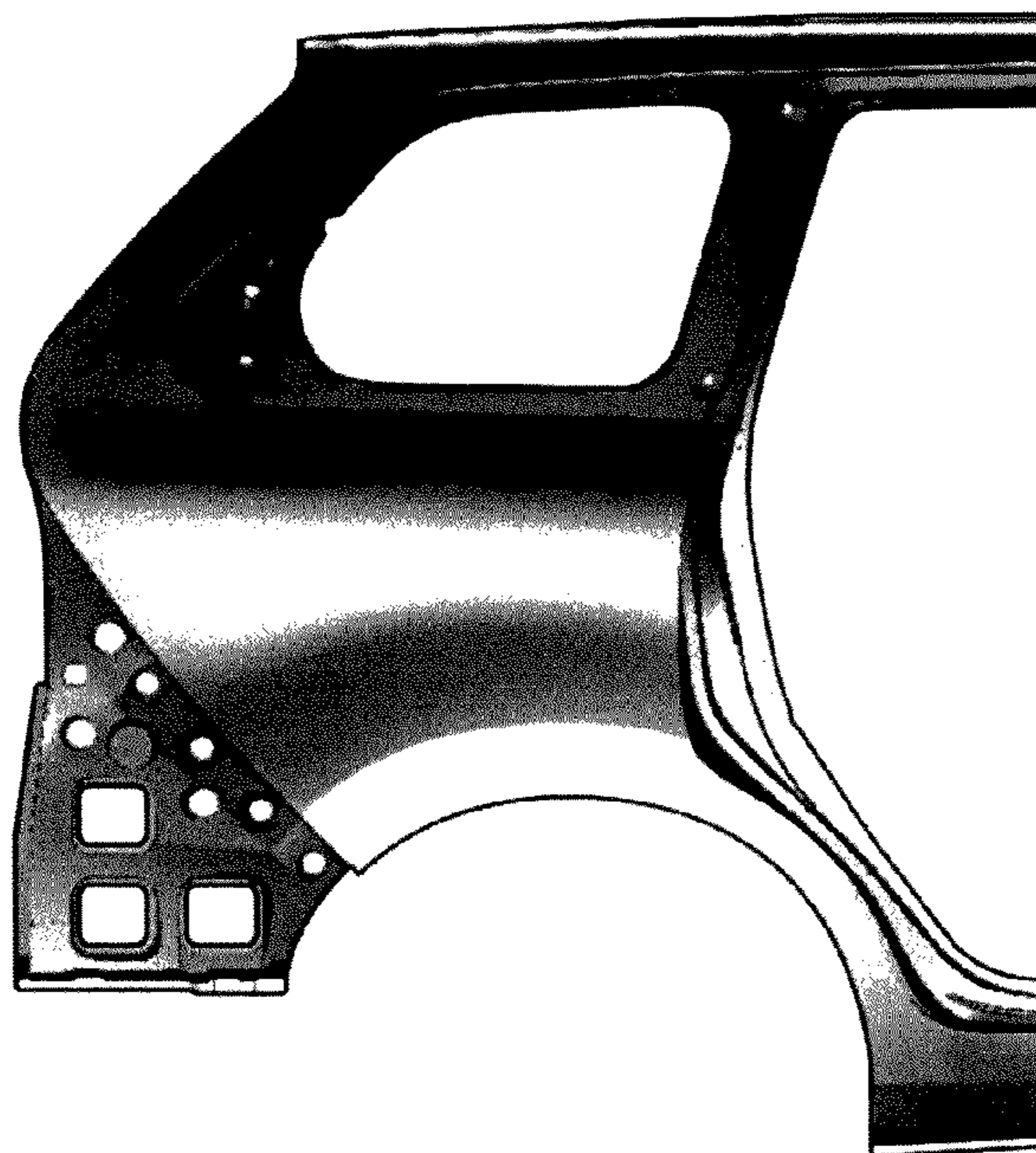
**DESCRIPTION**

**U.S. PATENT DOCUMENTS**

D479,491 S	9/2003	Kato et al.	
D522,424 S *	6/2006	Nordmann	D12/196
D525,564 S	7/2006	Akamine et al.	
D525,910 S	8/2006	Sugiura et al.	
D563,275 S	3/2008	Kim et al.	
D566,027 S *	4/2008	Gavriles	D12/196
D575,678 S	8/2008	Matsumoto et al.	
D580,838 S *	11/2008	Gabath et al.	D12/184
D583,286 S *	12/2008	Leclercq	D12/184
D597,004 S *	7/2009	Habib	D12/184
D605,101 S *	12/2009	Mueller	D12/196
D619,503 S	7/2010	Ishibashi et al.	
D619,510 S	7/2010	Suzuki et al.	

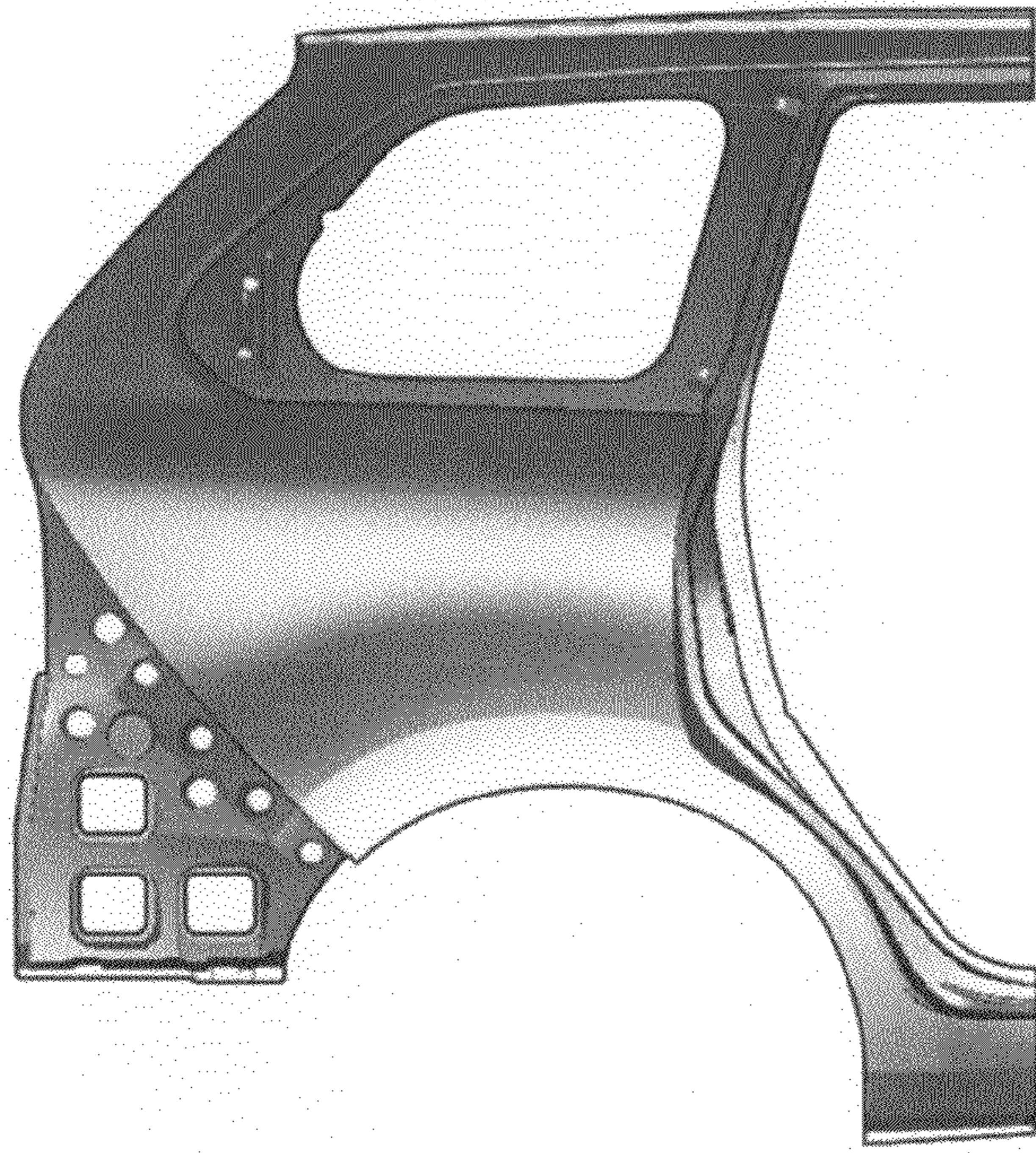
FIG. 1 is a front perspective view of a body panel for an  
automobile of our new design;  
FIG. 2 is a rear view thereof;  
FIG. 3 is a front view thereof;  
FIG. 4 is a bottom view thereof;  
FIG. 5 is a top plan view thereof;  
FIG. 6 is a right side view thereof; and,  
FIG. 7 is a left side view thereof.  
Our design includes the mirror image of the embodiment  
depicted.

**1 Claim, 4 Drawing Sheets**

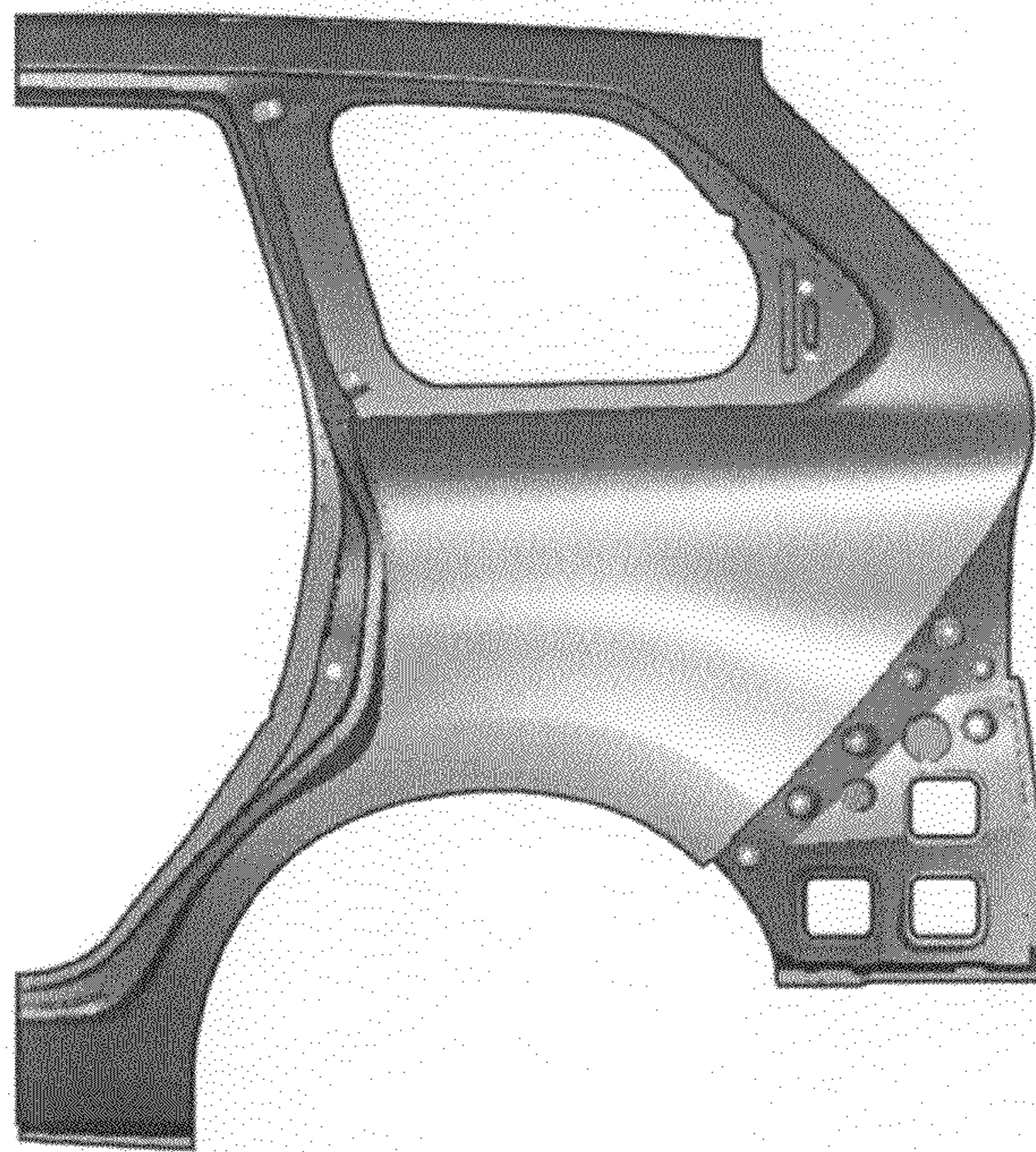




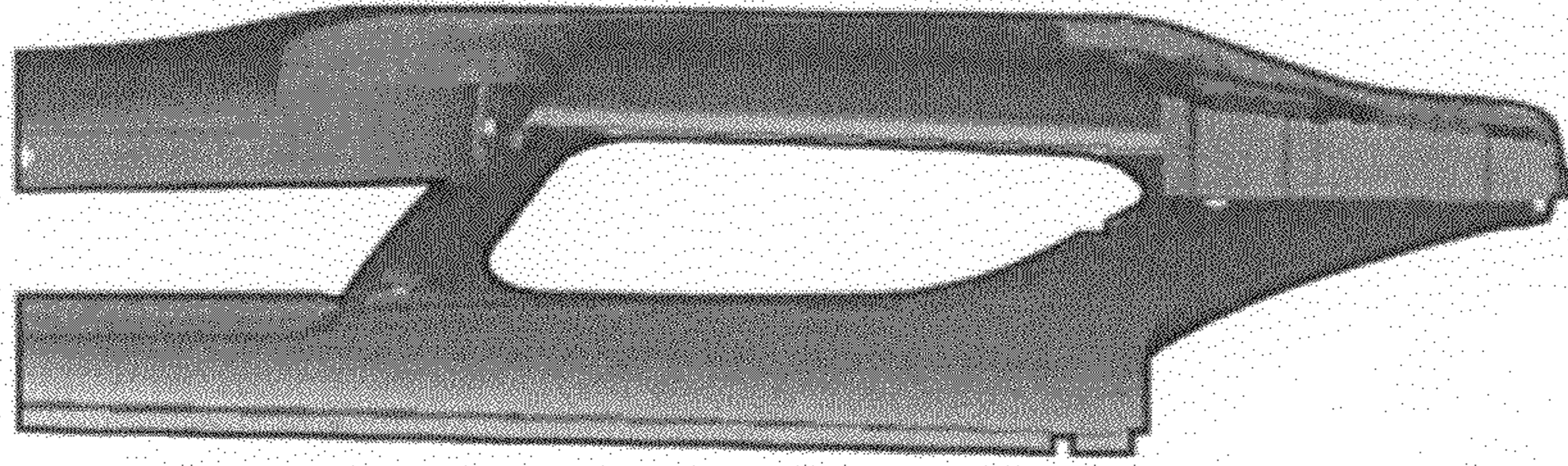
**FIG. 1**



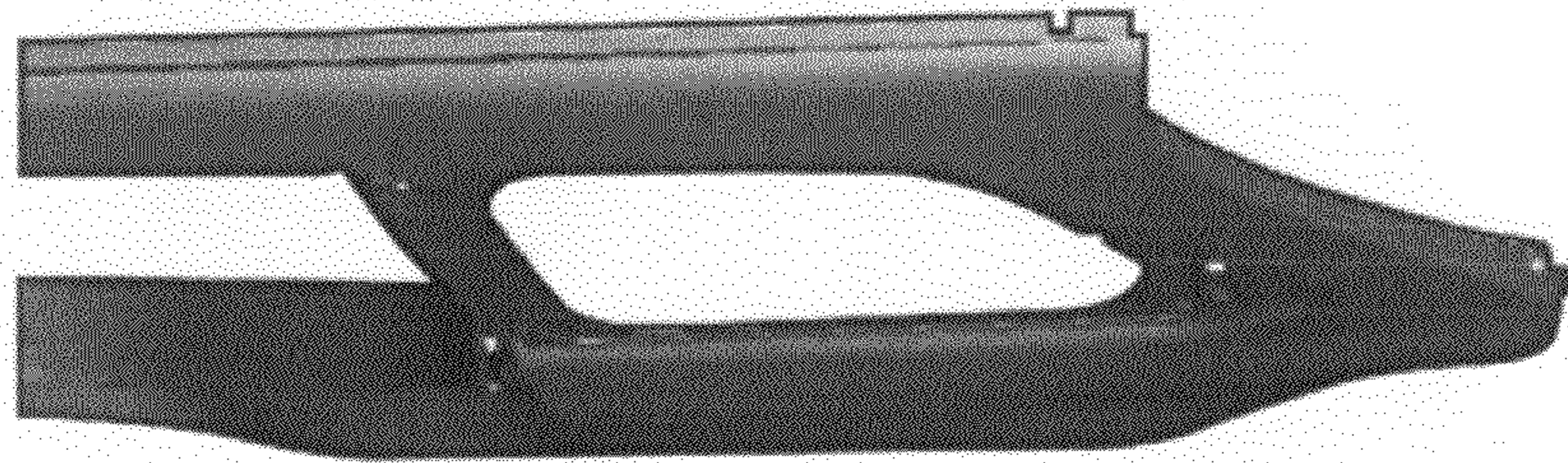
**FIG. 2**



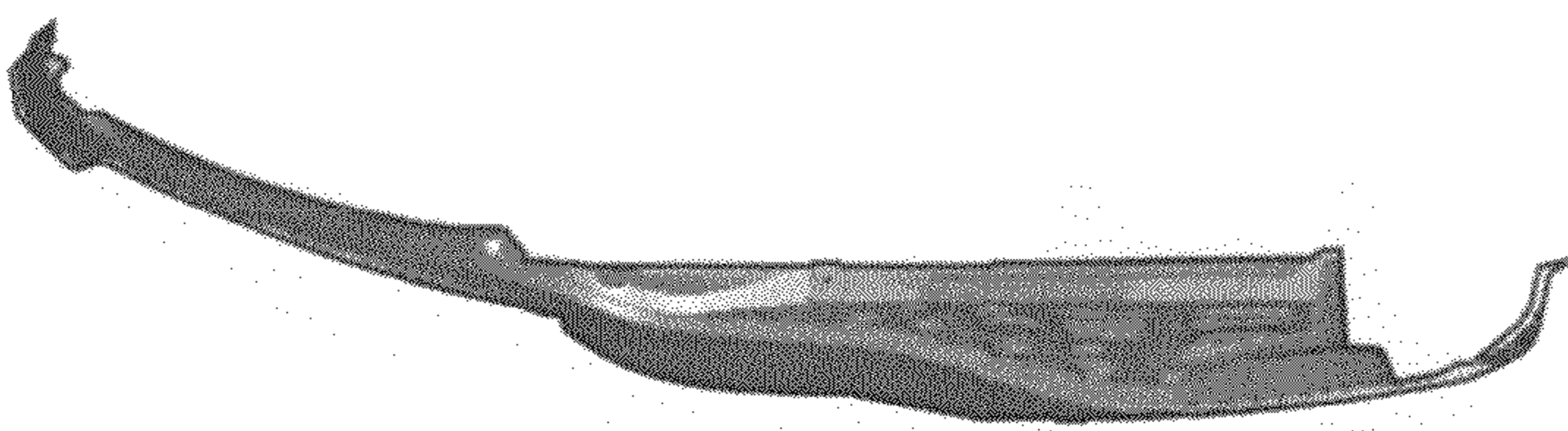
**FIG. 3**



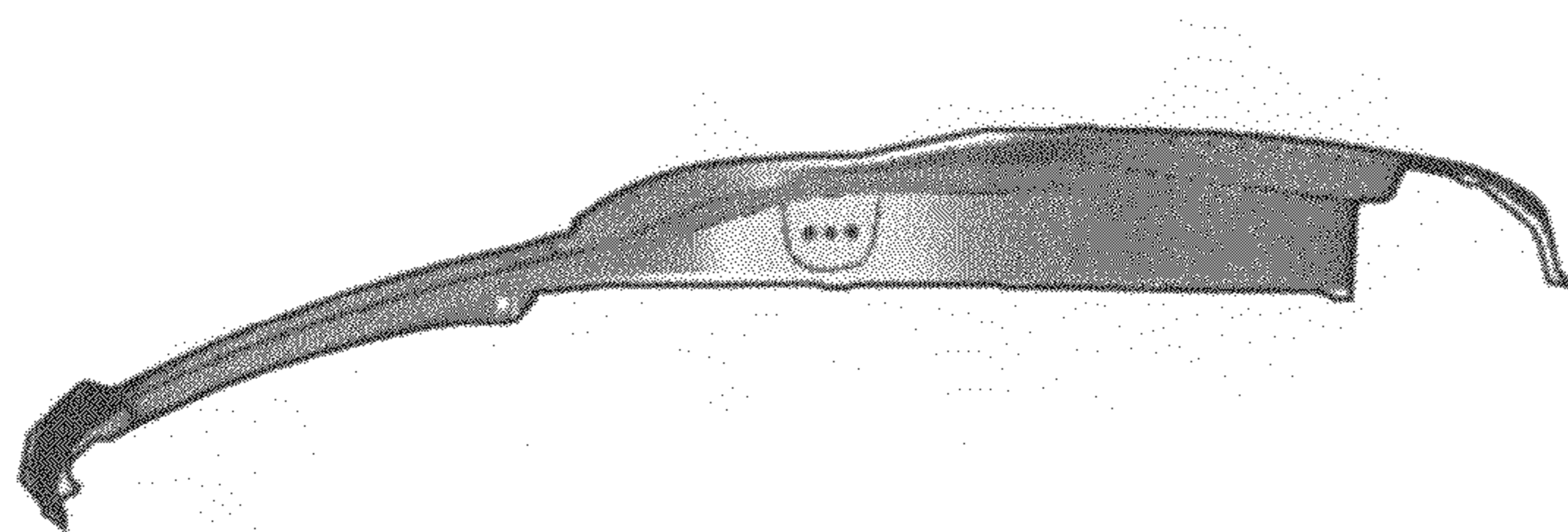
**FIG. 4**



**FIG. 5**



**FIG. 6**



**FIG. 7**