



US00D658556S

(12) **United States Design Patent**
Hakamata et al.

(10) **Patent No.:** **US D658,556 S**
(45) **Date of Patent:** **** May 1, 2012**

(54) **DOORS FOR AN AUTOMOBILE**

- (75) Inventors: **Hiroaki Hakamata**, Toyota (JP);
Satoshi Kimura, Nagoya (JP);
Yukinobu Morioka, Ikeda (JP)
- (73) Assignee: **Toyota Jidosha Kabushiki Kaisha**,
Toyota-shi (JP)
- (**) Term: **14 Years**
- (21) Appl. No.: **29/388,401**
- (22) Filed: **Mar. 29, 2011**
- (51) **LOC (9) Cl.** **12-16**
- (52) **U.S. Cl.** **D12/196**
- (58) **Field of Classification Search** D12/86,
D12/90-92, 196; D21/424, 433, 434; 296/181.1,
296/181.5
See application file for complete search history.

(56) **References Cited**

U.S. PATENT DOCUMENTS

D468,247 S *	1/2003	Vandillen	D12/196
D479,491 S	9/2003	Kato et al.	
D525,564 S	7/2006	Akamine et al.	
D525,910 S	8/2006	Sugiura et al.	
D563,275 S	3/2008	Kim et al.	
D575,678 S	8/2008	Matsumoto et al.	
D604,670 S *	11/2009	Nagura et al.	D12/91
D619,503 S	7/2010	Ishibashi et al.	
D619,510 S	7/2010	Suzuki et al.	
D630,554 S *	1/2011	Kim	D12/91
D640,958 S	7/2011	Yokoi et al.	
D642,093 S	7/2011	Kubo et al.	
D644,583 S *	9/2011	Kubo et al.	D12/196
D645,804 S *	9/2011	Kubo et al.	D12/196
D647,004 S *	10/2011	Nemoto	D12/91

OTHER PUBLICATIONS

- Website: URL:<http://catalog.carsensorlab.net/mazda/mpv>, Mazda MPV, Date: Jan. 2008.
- Website: URL:<http://www.three2tango.com/car-and-bike-corner/toyota-avanza-the-mini-innova-coming-to-india.html>, Toyota Avanza, Date: Dec. 3, 2009.
- Website: URL:<http://techwizardz.blogspot.com/2010/02/toyota-avanza-stills-and-wallpapers.html>, Toyota Avanza, Date: Dec. 3, 2009.

* cited by examiner

Primary Examiner — Melody N Brown

(74) *Attorney, Agent, or Firm* — Finnegan, Henderson, Farabow, Garrett & Dunner, LLP

(57) **CLAIM**

The ornamental design for doors for an automobile, as shown and described.

DESCRIPTION

FIG. 1 is a left, front perspective view of doors for an automobile of our new design;
 FIG. 2 is a left, rear perspective view thereof;
 FIG. 3 is a left side elevation view thereof;
 FIG. 4 is a top plan view thereof;
 FIG. 5 is a front elevation view thereof; and,
 FIG. 6 is a rear elevation view thereof.

Our design includes the mirror image of the embodiment depicted. The bottom and rear views form no part of the claimed design. The portion of the vehicle in light contrast is environment and is not a part of the claimed design.

1 Claim, 5 Drawing Sheets

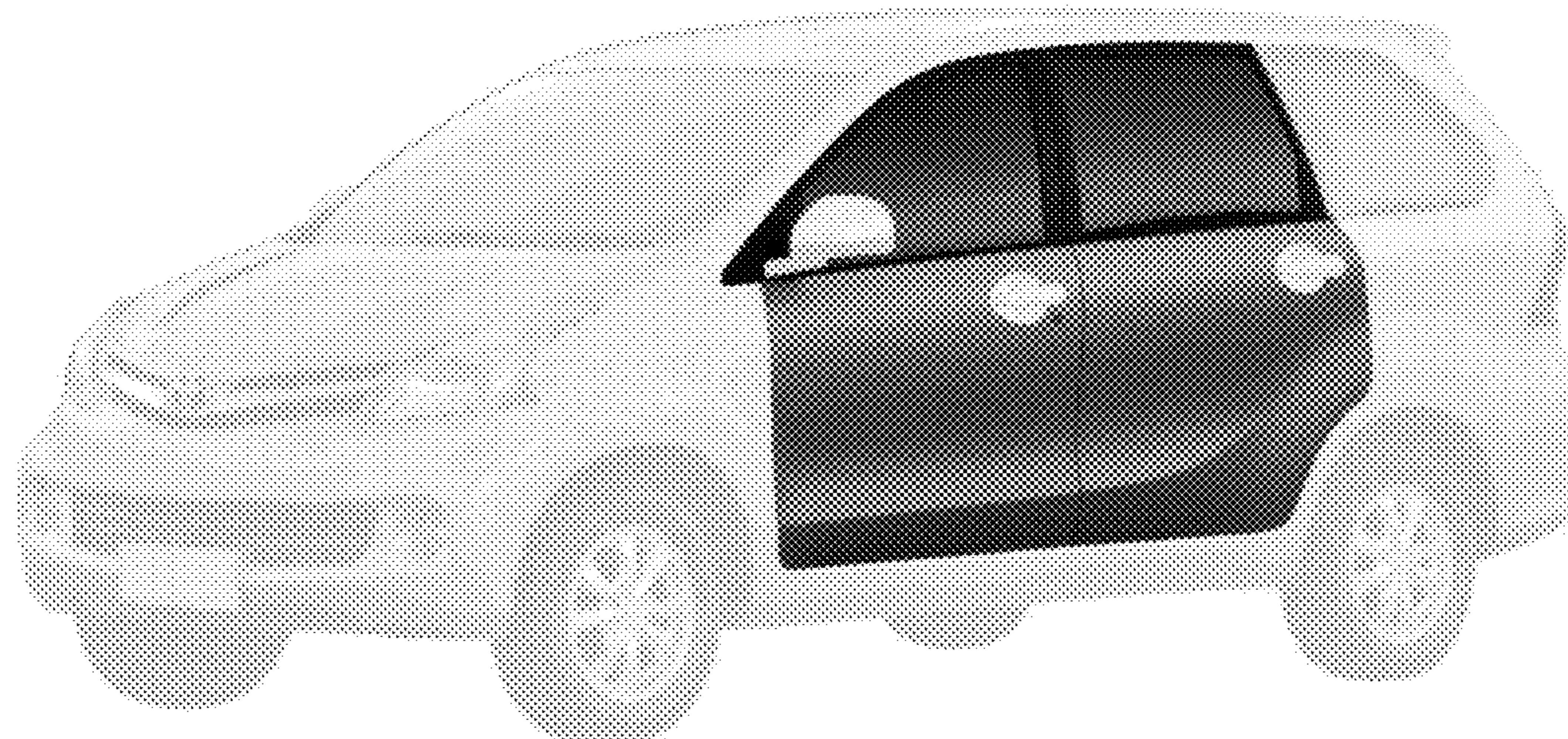




FIG. 1

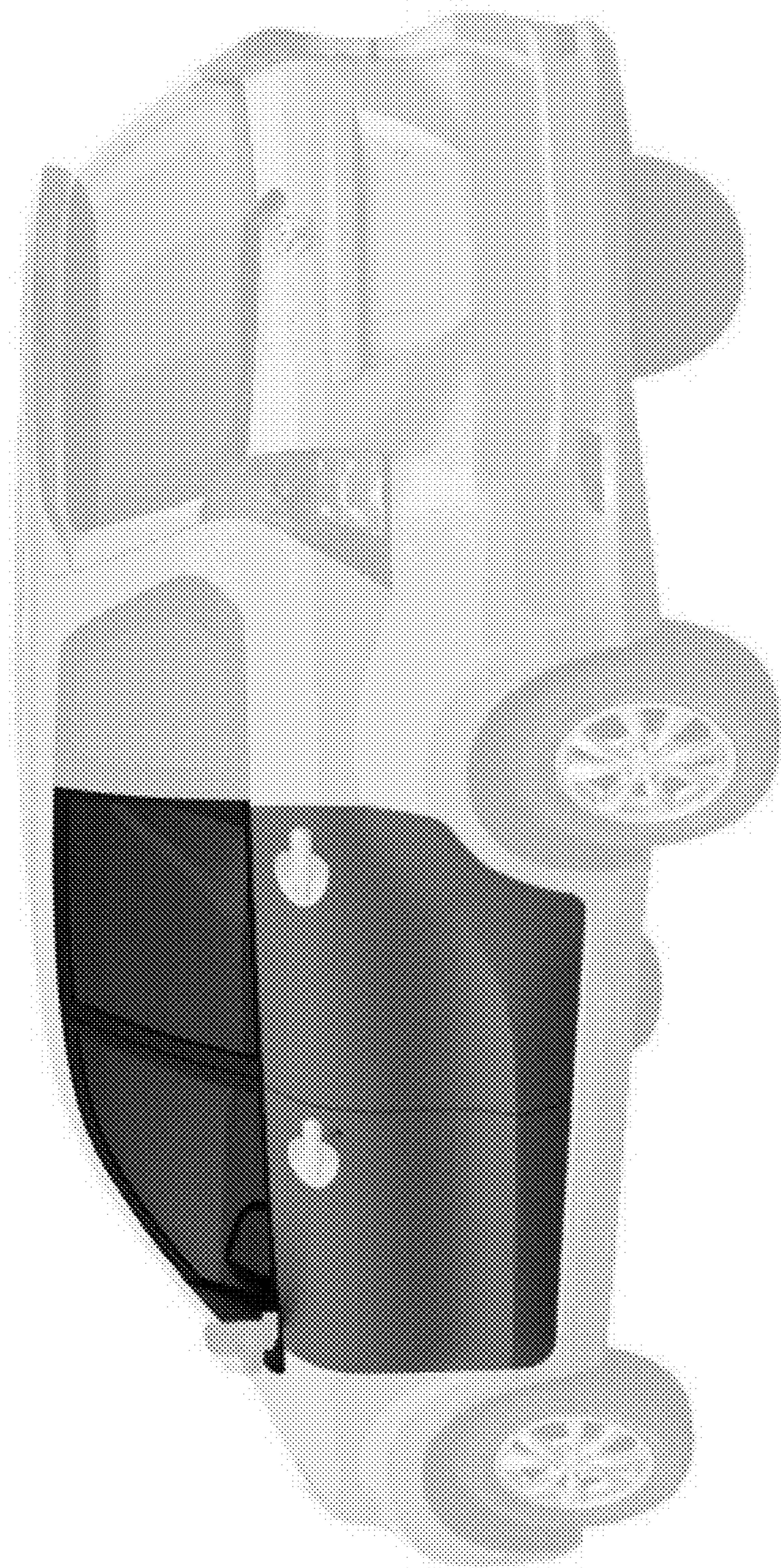


FIG. 2

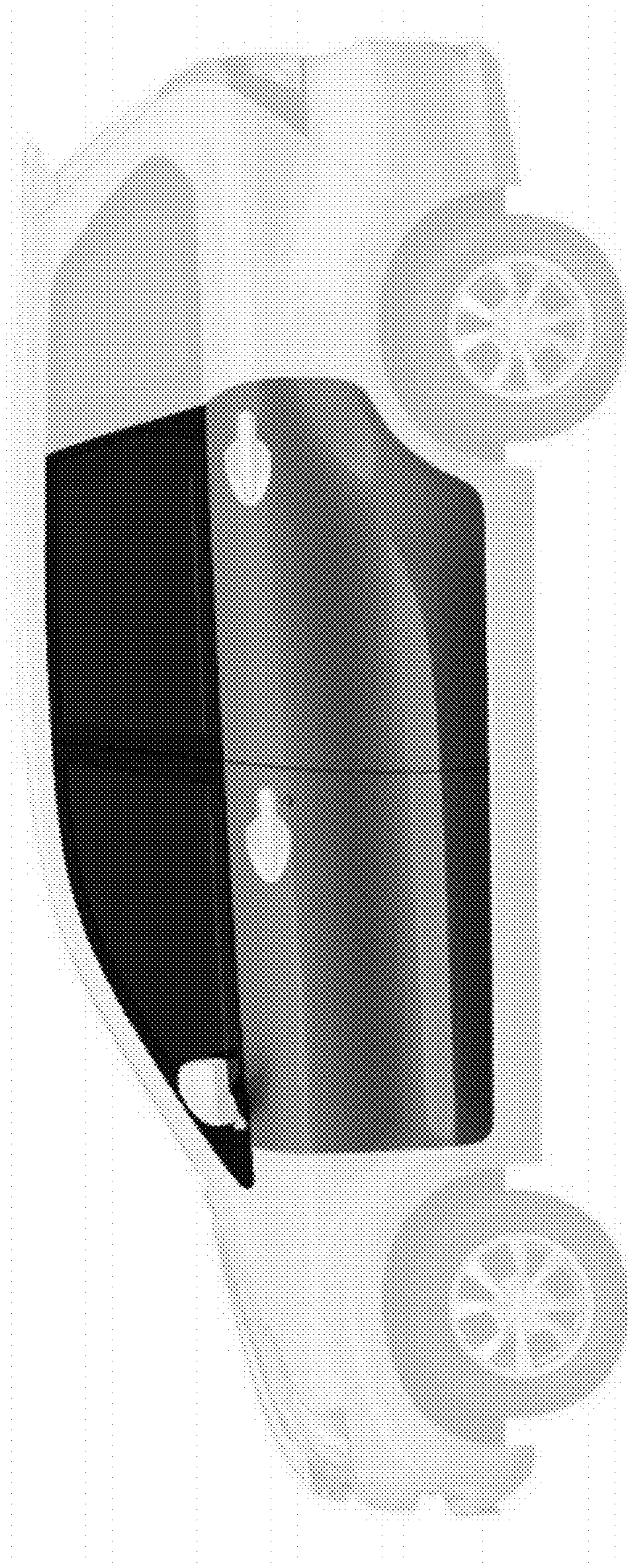


FIG. 3



FIG. 4

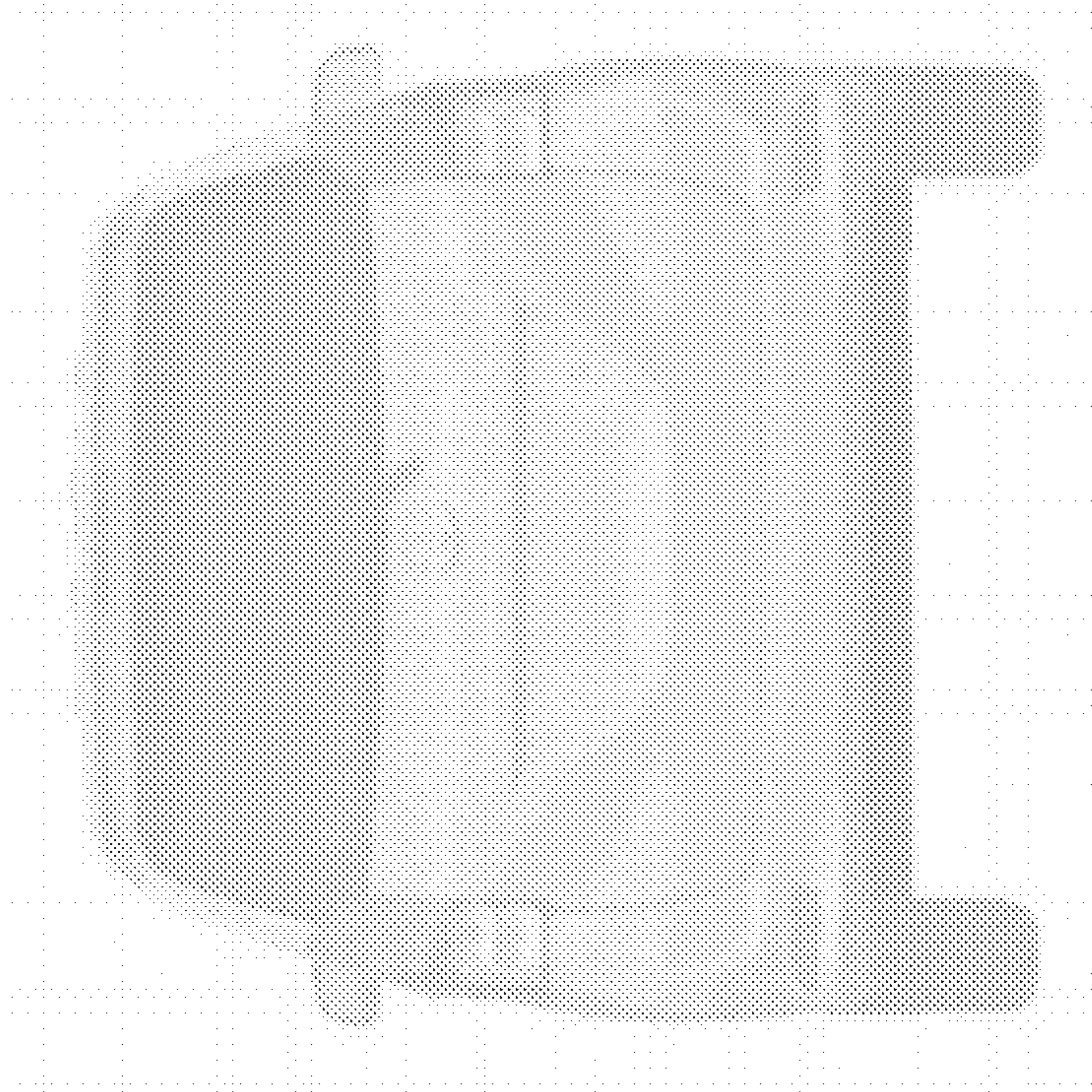


FIG. 5

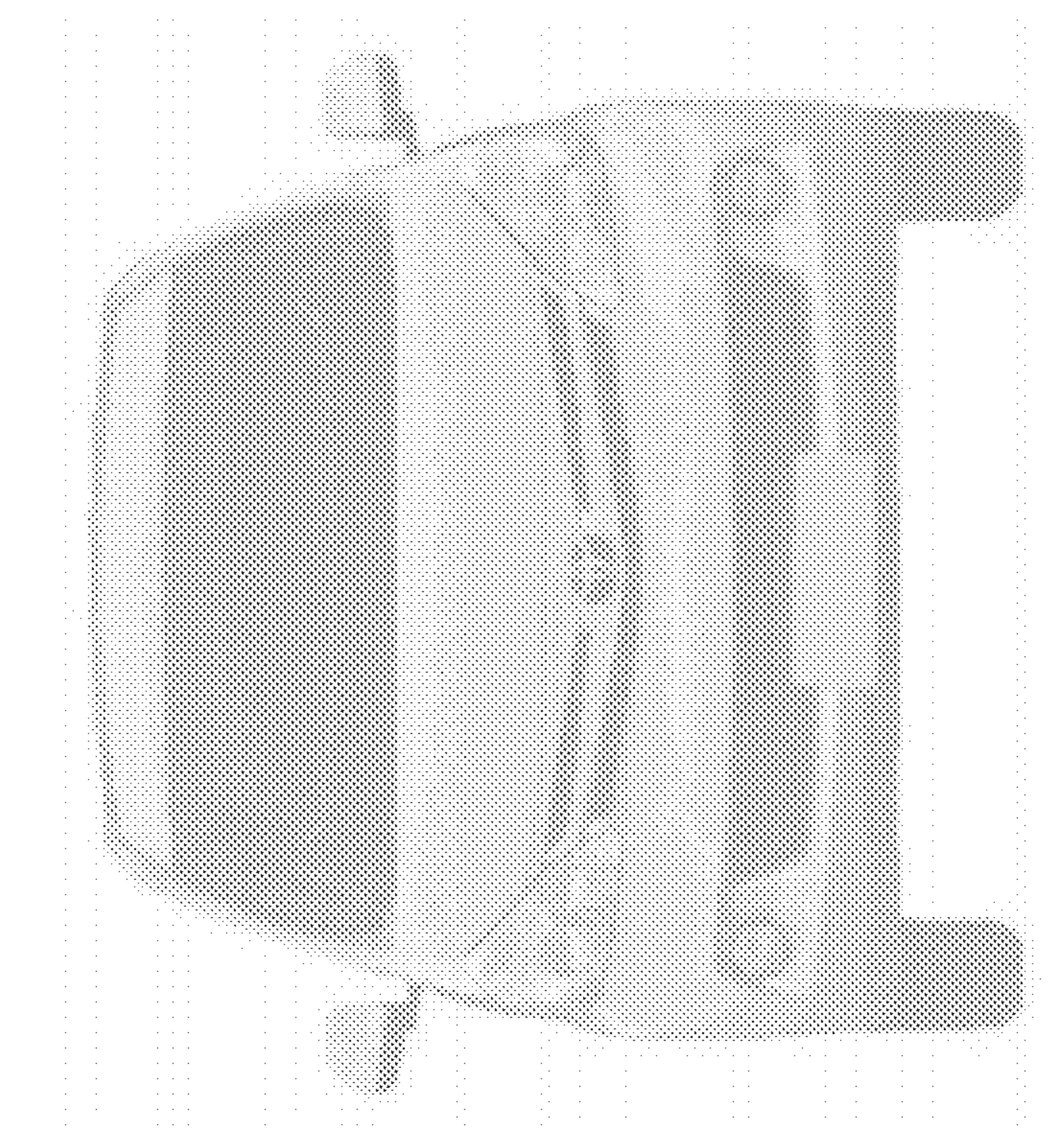


FIG. 6