



US00D658554S

(12) **United States Design Patent**
Tasaki et al.

(10) **Patent No.:** **US D658,554 S**

(45) **Date of Patent:** **** May 1, 2012**

(54) **INSTRUMENT PANEL FOR AUTOMOBILE**

(75) Inventors: **Katsuhide Tasaki**, Ibaraki (JP); **Akiko Uehara**, Saitama (JP); **Ryo Sato**, Tokyo (JP); **Masami Hirose**, Tokyo (JP)

(73) Assignee: **Clarion Co., Ltd**, Saitama (JP)

(**) Term: **14 Years**

(21) Appl. No.: **29/396,274**

(22) Filed: **Jun. 28, 2011**

(30) **Foreign Application Priority Data**

Dec. 28, 2010 (JP) 2010-31357

(51) **LOC (9) Cl.** **12-16**

(52) **U.S. Cl.** **D12/192**

(58) **Field of Classification Search** D12/192,
D12/415, 110, 114; 180/90; 296/190.01–190.09,
296/191, 70; 280/750–752; D15/17, 28;
D10/46, 98, 102–103, 122–127

See application file for complete search history.

(56) **References Cited**

U.S. PATENT DOCUMENTS

| | | | |
|--------------|---------|-----------------------|---------|
| D270,825 S * | 10/1983 | Luthe et al. | D12/192 |
| D423,435 S * | 4/2000 | Sato | D12/192 |
| D431,220 S * | 9/2000 | Wyszogrod et al. | D12/192 |
| D498,720 S * | 11/2004 | Dyson et al. | D12/181 |
| D533,492 S * | 12/2006 | Maezono et al. | D12/192 |

| | | | |
|-------------------|--------|--------------------|----------|
| D558,656 S * | 1/2008 | Tanaka et al. | D12/192 |
| D569,317 S * | 5/2008 | Schowalter | D12/192 |
| D622,195 S * | 8/2010 | Lester | D12/192 |
| 2009/0008956 A1 * | 1/2009 | Scheib et al. | 296/70 |
| 2010/0101090 A1 * | 4/2010 | Nakano et al. | 29/897.2 |

* cited by examiner

Primary Examiner — Caron D Veynar

Assistant Examiner — Katrina A Betton

(74) *Attorney, Agent, or Firm* — Scully, Scott, Murphy & Presser, P.C.

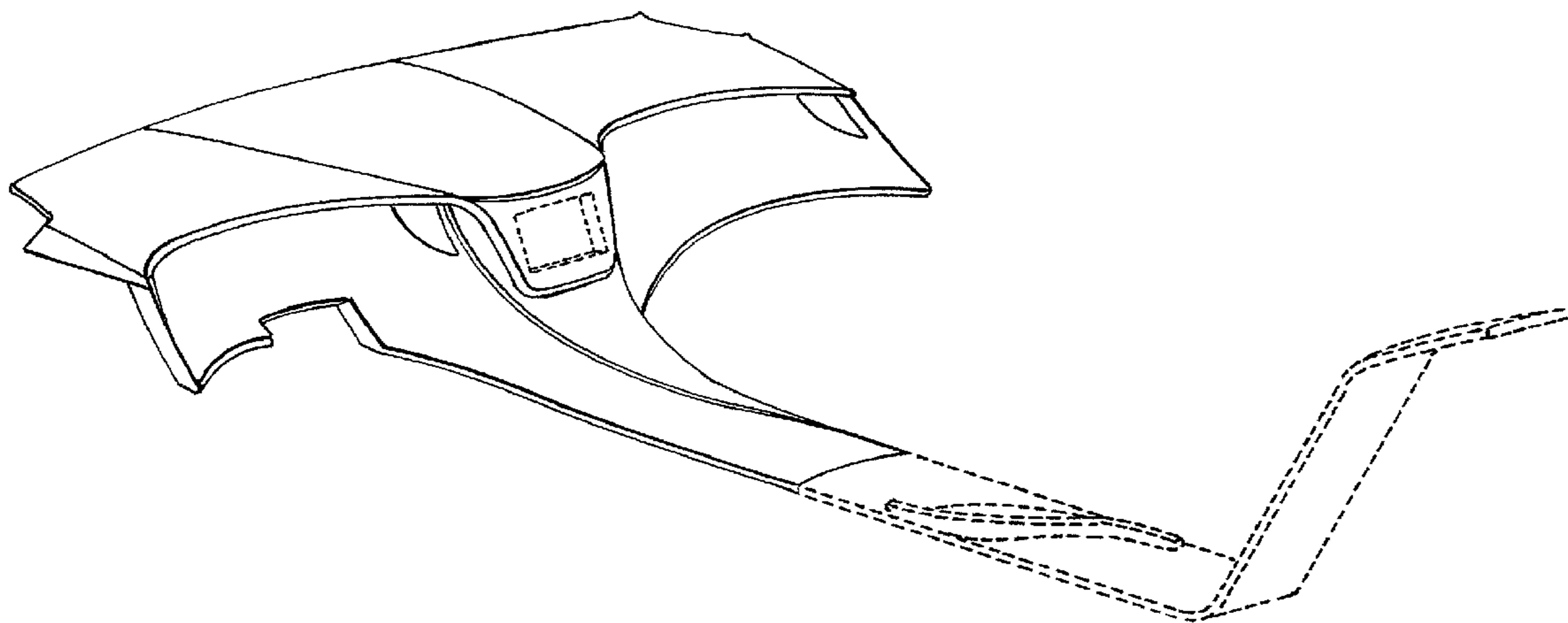
(57) **CLAIM**

The ornamental design for an instrument panel for automobile, as shown and described.

DESCRIPTION

FIG. 1 is a front perspective view of an instrument panel for automobile, where a rear console portion is disclaimed. FIG. 2 is a front view of the configuration shown in FIG. 1; FIG. 3 is a rear view of the configuration shown in FIG. 1; FIG. 4 is a right side view of the configuration shown in FIG. 1; FIG. 5 is a left side view of the configuration shown in FIG. 1; FIG. 6 is a top view of the configuration shown in FIG. 1; and, FIG. 7 is a bottom view of the configuration shown in FIG. 1. The portions indicated in broken lines are for illustrative purposes only and form no part of the claimed design.

1 Claim, 4 Drawing Sheets



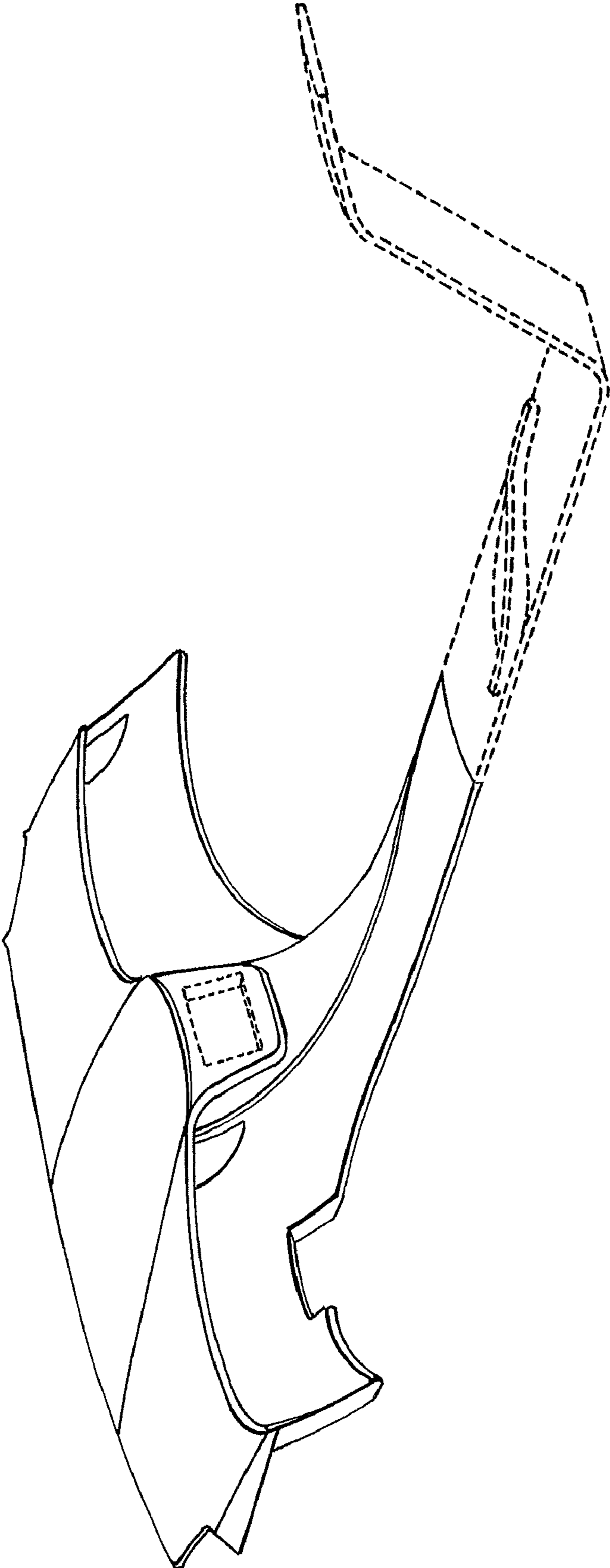


Fig. 1

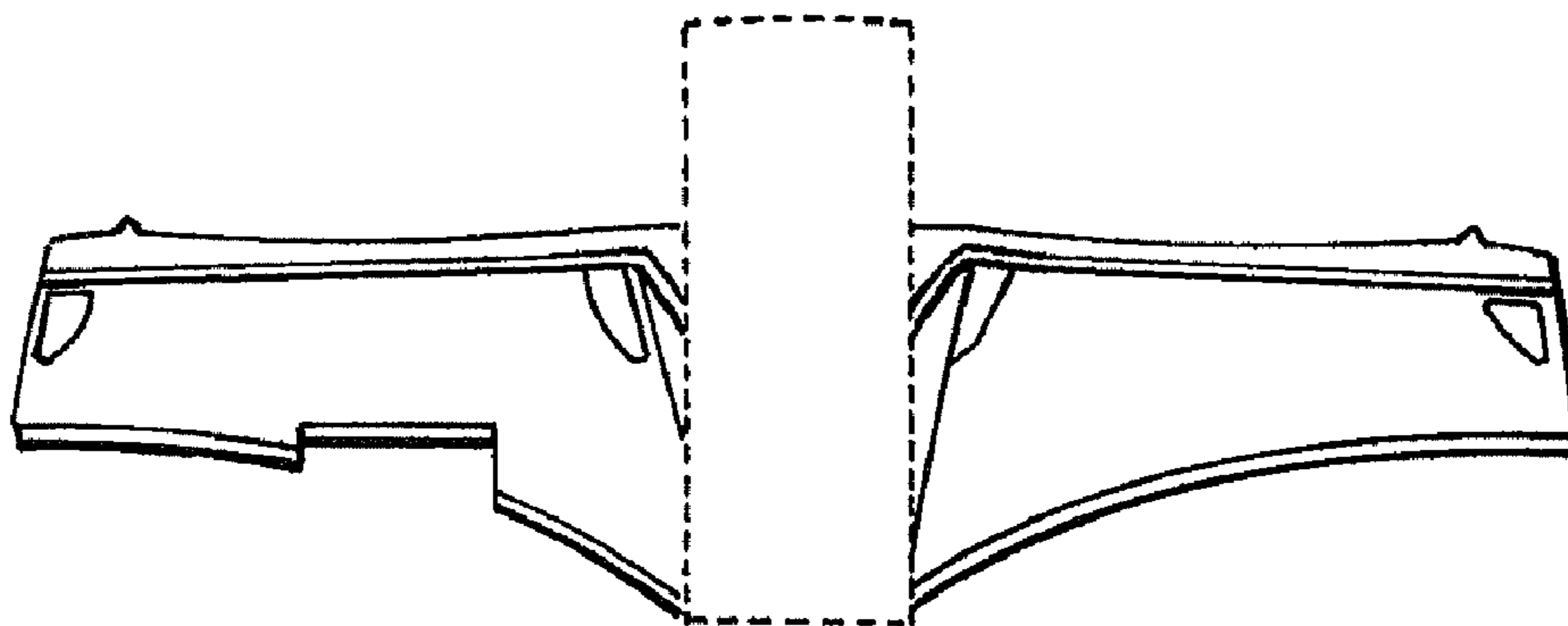


Fig. 2

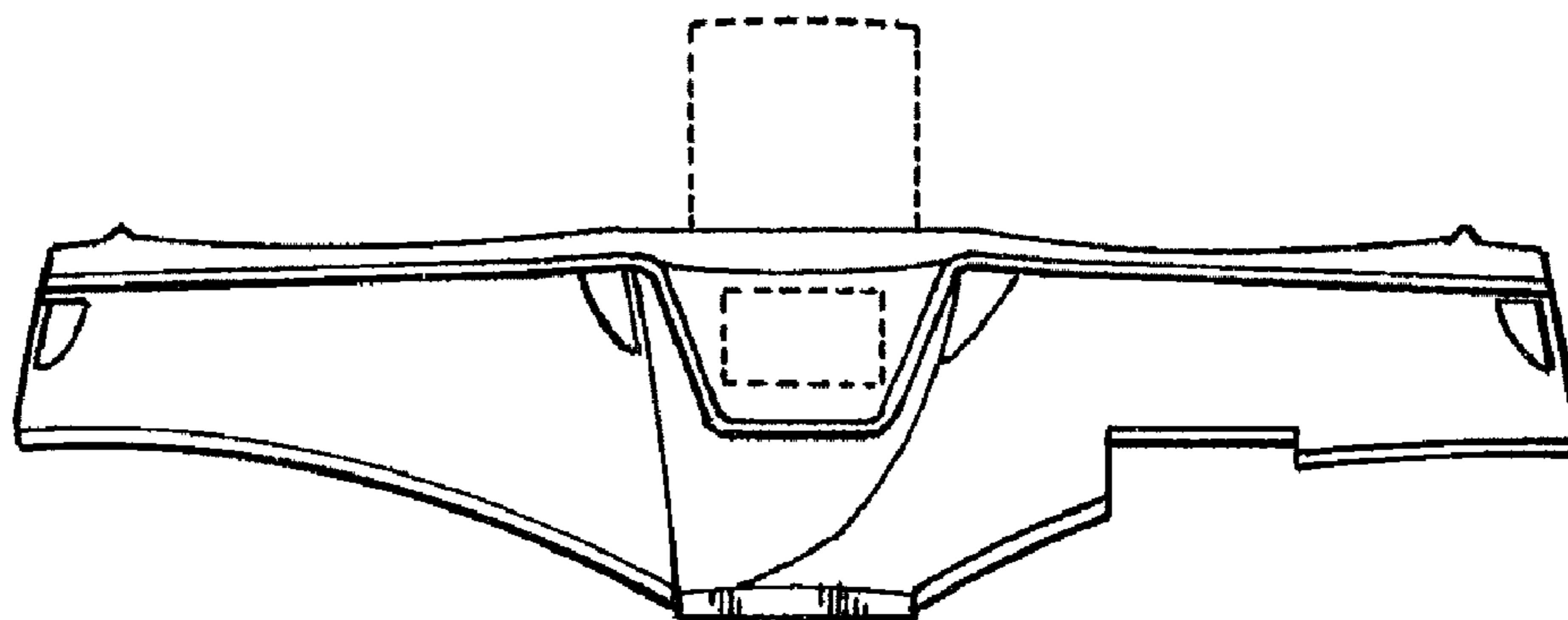


Fig. 3

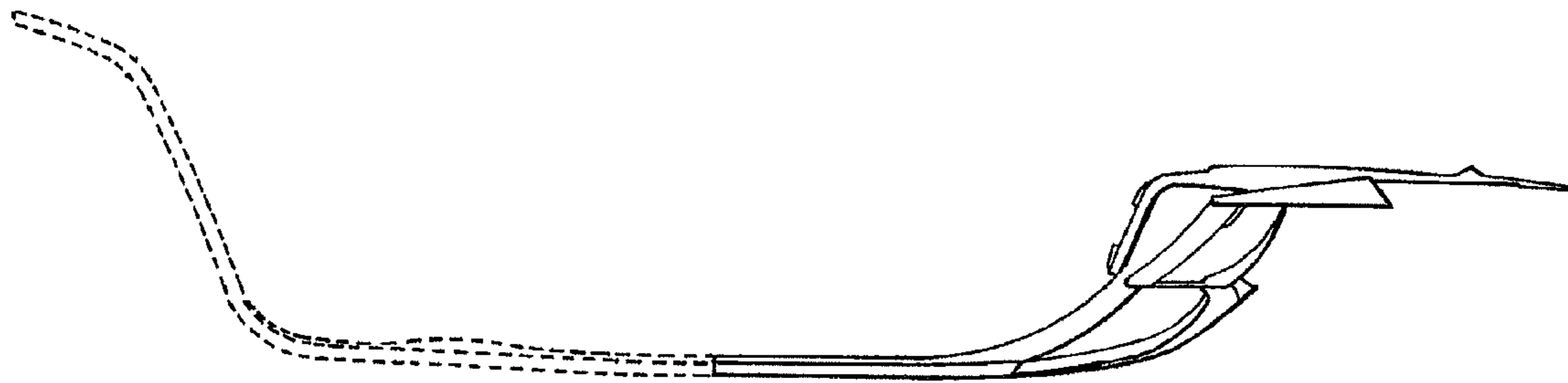


Fig. 4

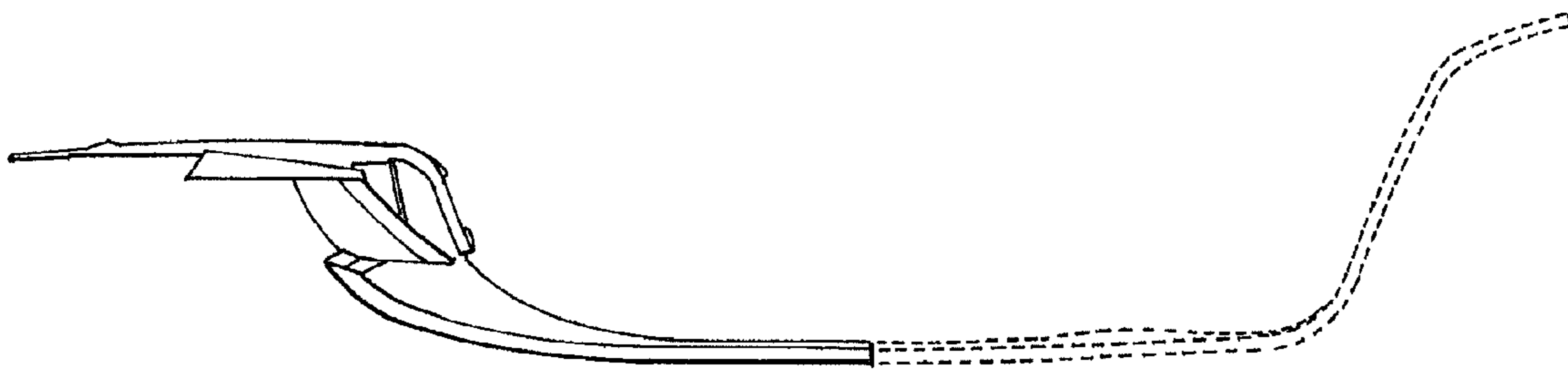


Fig. 5

Fig. 6

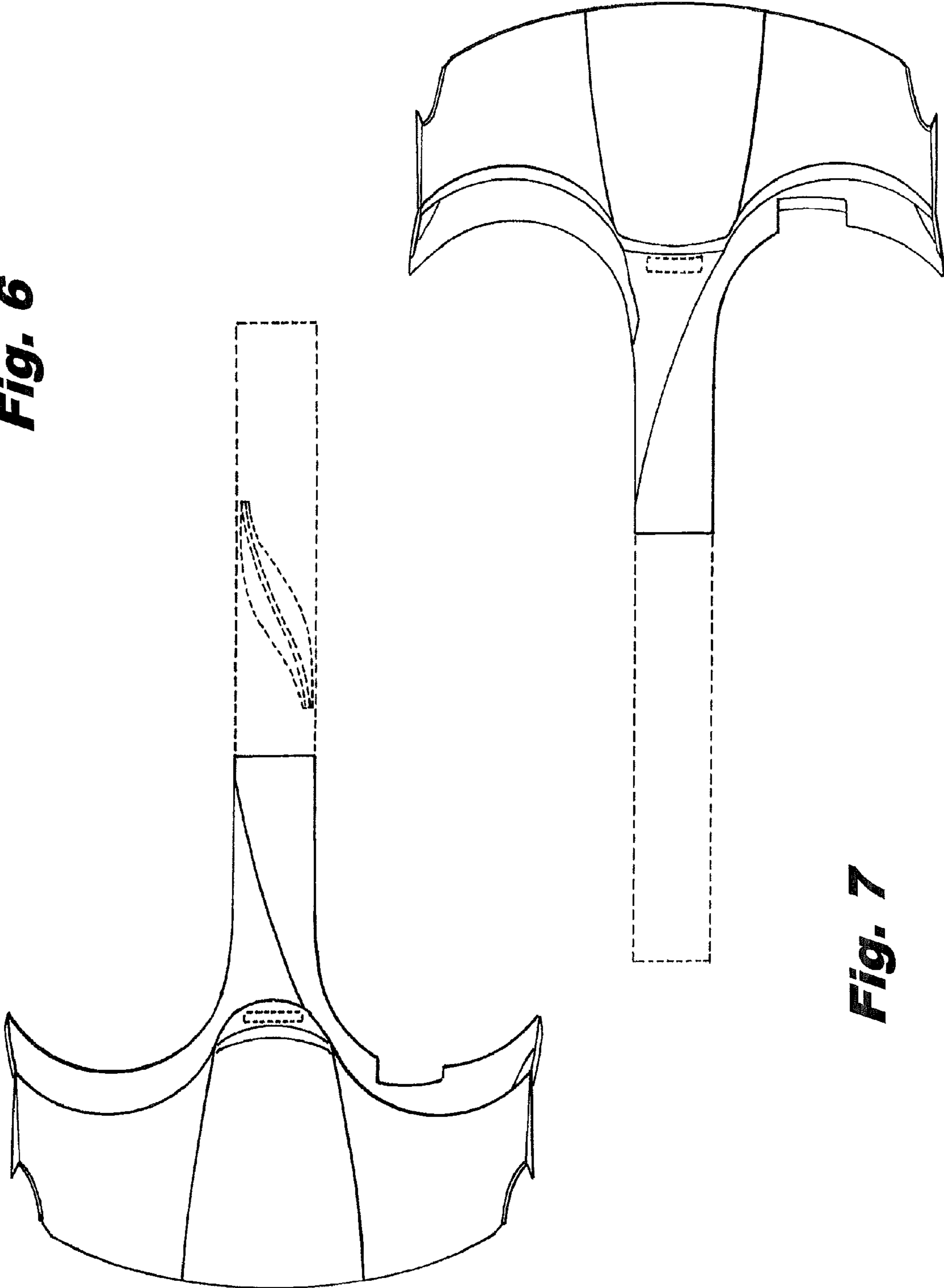


Fig. 7