



US00D658553S

(12) **United States Design Patent**
Hakamata et al.

(10) **Patent No.:** **US D658,553 S**

(45) **Date of Patent:** **** May 1, 2012**

(54) **FRONT FENDER FOR AN AUTOMOBILE**

(75) Inventors: **Hiroaki Hakamata**, Toyota (JP);
Satoshi Kimura, Nagoya (JP);
Yukinobu Morioka, Ikeda (JP)

(73) Assignee: **Toyota Jidosha Kabushiki Kaisha**,
Toyota-shi (JP)

(**) Term: **14 Years**

(21) Appl. No.: **29/388,407**

(22) Filed: **Mar. 29, 2011**

(51) **LOC (9) Cl.** **12-16**

(52) **U.S. Cl.** **D12/184; D12/196**

(58) **Field of Classification Search** D12/184,
D12/196, 90-92; 280/152.1, 847-849, 851;
296/181.1, 181.5

See application file for complete search history.

(56) **References Cited**

U.S. PATENT DOCUMENTS

D479,491 S	9/2003	Kato et al.	
D507,514 S	* 7/2005	Nagura et al.	D12/196
D525,564 S	7/2006	Akamine et al.	
D525,910 S	8/2006	Sugiura et al.	
D563,275 S	3/2008	Kim et al.	
D575,678 S	8/2008	Matsumoto et al.	
D600,614 S	* 9/2009	Lamm	D12/184
D604,681 S	* 11/2009	Nakamura	D12/184
D606,919 S	* 12/2009	Sahs	D12/184
D613,219 S	* 4/2010	Elliott et al.	D12/184
D619,503 S	7/2010	Ishibashi et al.	
D619,510 S	7/2010	Suzuki et al.	
D640,958 S	7/2011	Yokoi et al.	
D642,093 S	7/2011	Kubo et al.	

OTHER PUBLICATIONS

Website: URL:<http://catalog.carsensorlab.net/mazda/mpv>, Mazda MPV, Date: Jan. 2008.

Website: URL:<http://www.three2tango.com/car-and-bike-corner/toyota-avanza-the-mini-innova-coming-to-india.html>, Toyota Avanza, Date: Dec. 3, 2009.

Website: URL:<http://techwizardz.blogspot.com/2010/02/toyota-avanza-stills-and-wallpapers.html>, Toyota Avanza, Date: Dec. 3, 2009.

* cited by examiner

Primary Examiner — Melody N Brown

(74) *Attorney, Agent, or Firm* — Finnegan, Henderson, Farabow, Garrett & Dunner, LLP

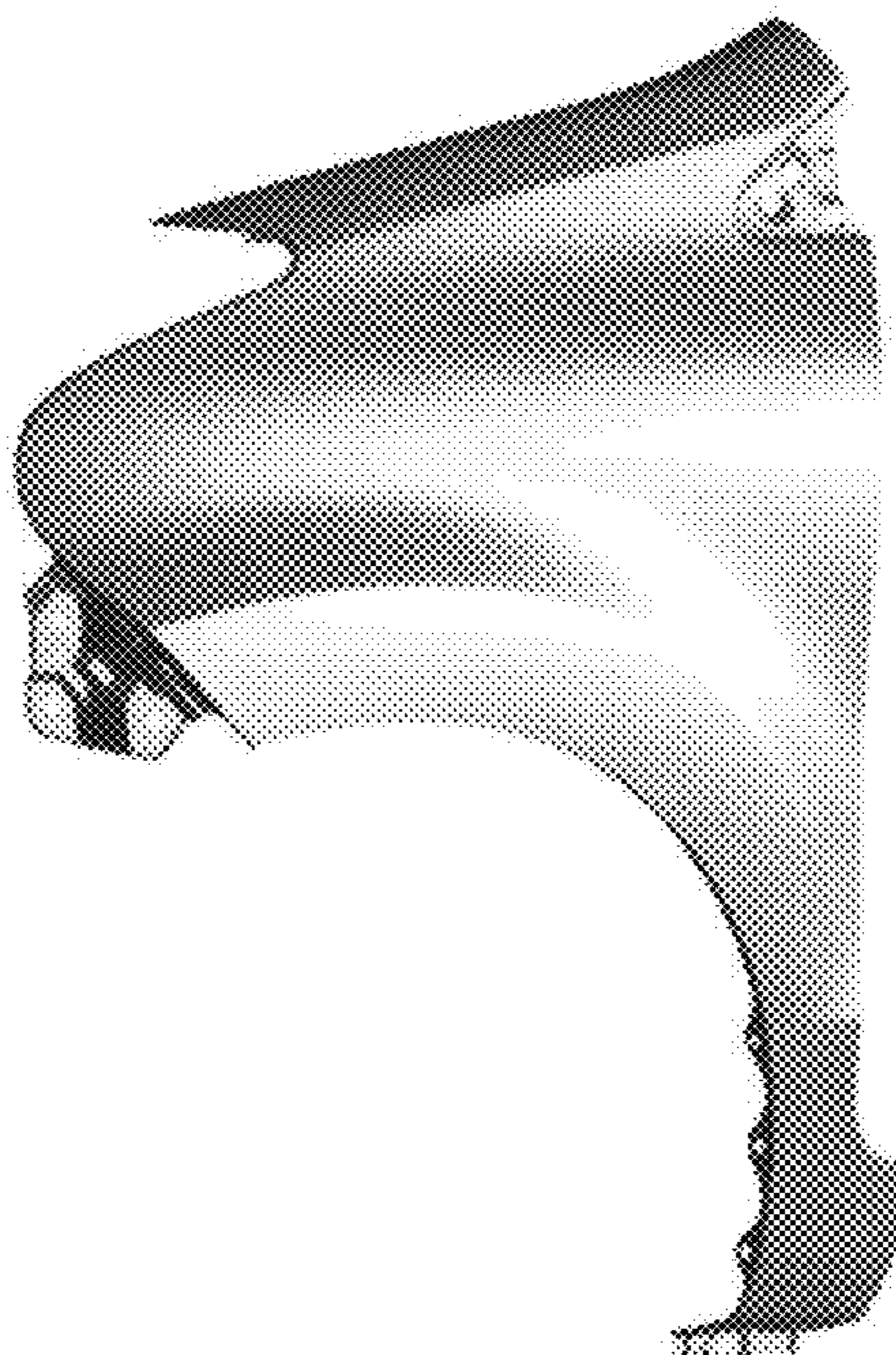
(57) **CLAIM**

The ornamental design for a front fender for an automobile, as shown and described.

DESCRIPTION

FIG. 1 is a front perspective view of a front fender for an automobile of our new design; FIG. 2 is a front view thereof; FIG. 3 is a rear view thereof; FIG. 4 is a top plan view thereof; FIG. 5 is a bottom view thereof; FIG. 6 is a right side view thereof; and, FIG. 7 is a left side view thereof. Our design includes the mirror image of the embodiment depicted.

1 Claim, 4 Drawing Sheets



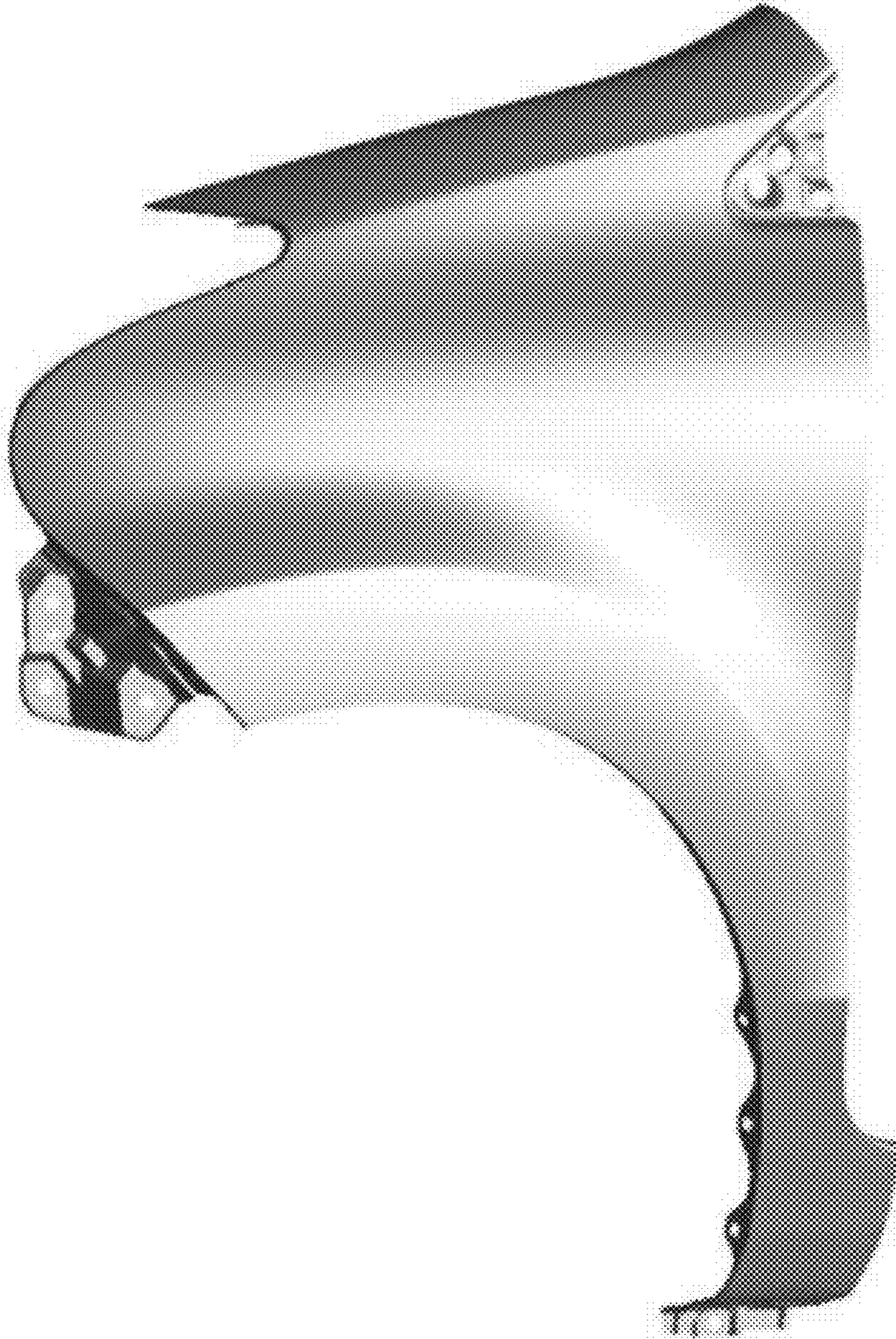


FIG. 1

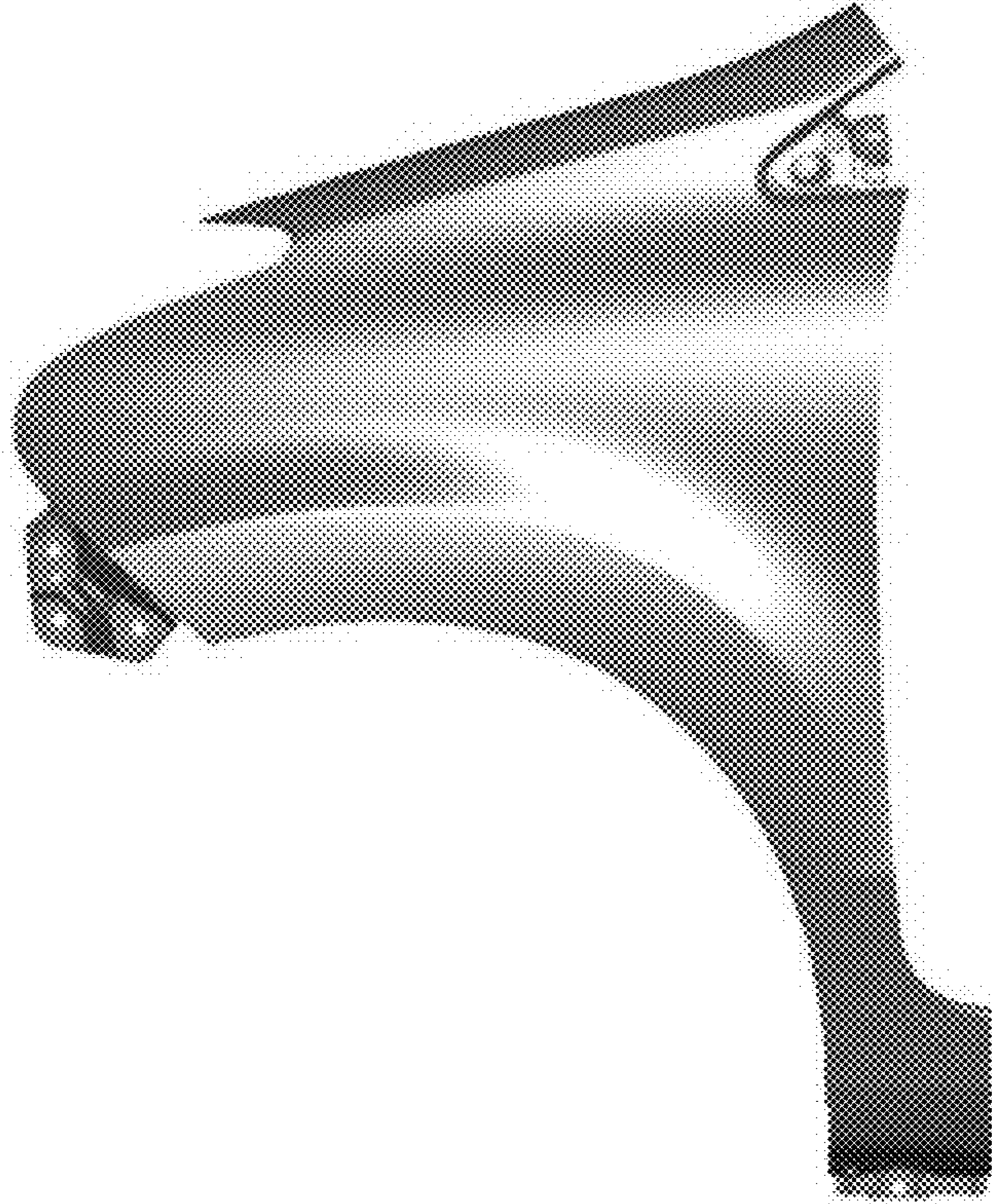


FIG. 2

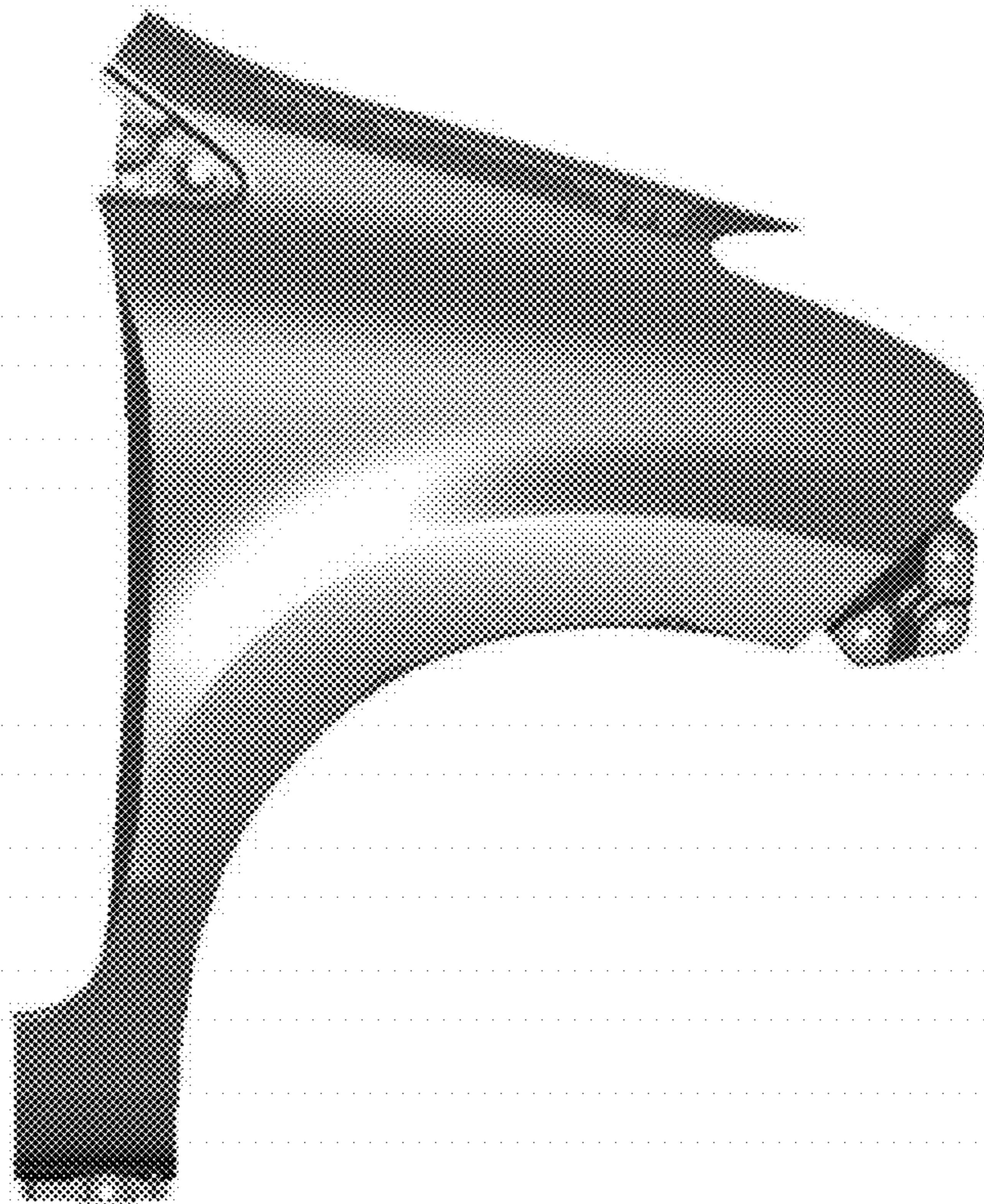


FIG. 3

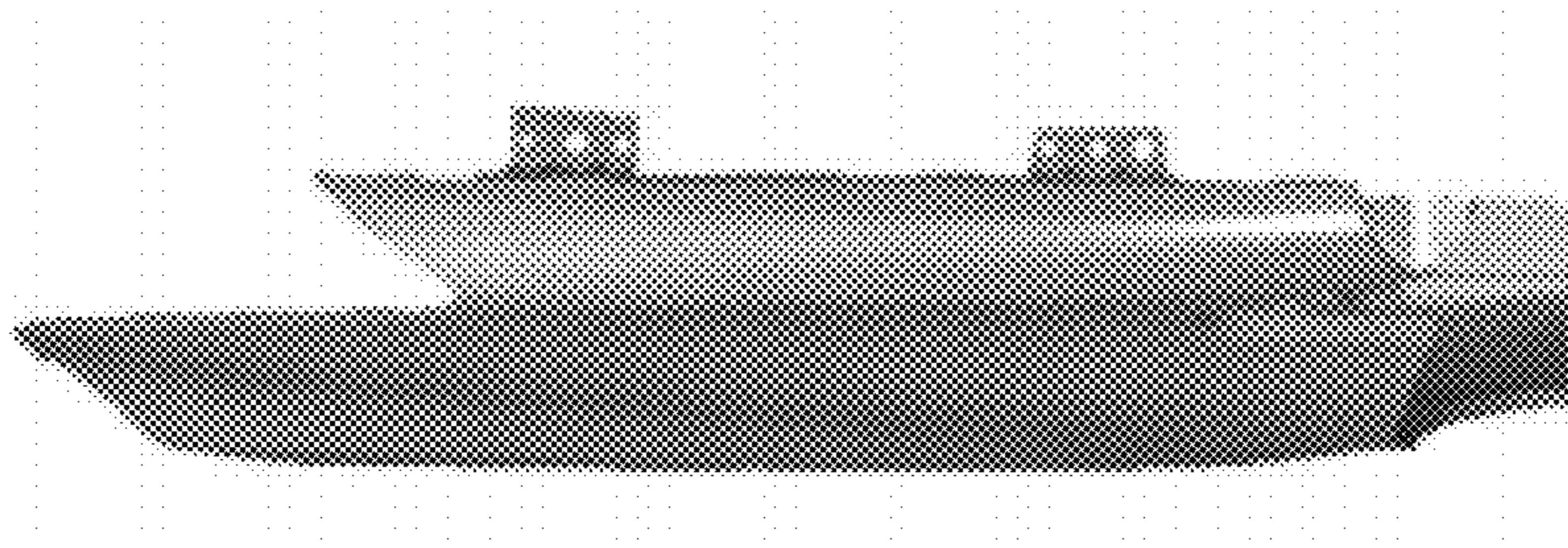


FIG. 4

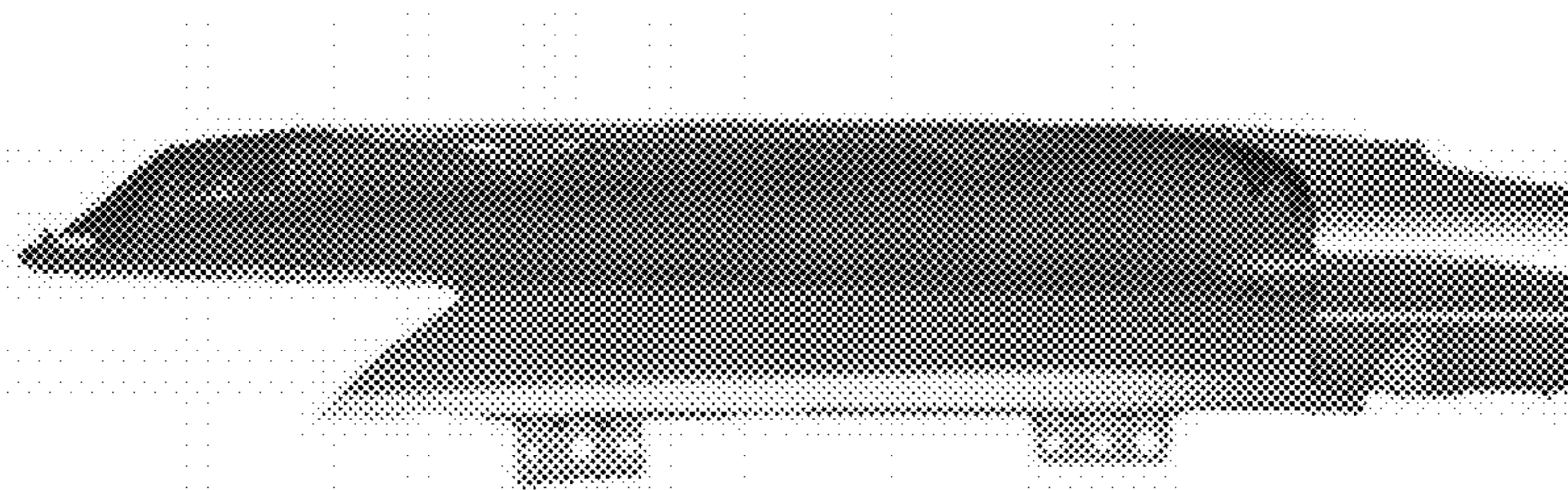


FIG. 5



FIG. 6



FIG. 7