



US00D658551S

(12) **United States Design Patent**
Skalka

(10) **Patent No.:** **US D658,551 S**

(45) **Date of Patent:** **** May 1, 2012**

(54) **BICYCLE RACK**

(75) Inventor: **Gerald P. Skalka**, Potomac, MD (US)

(73) Assignee: **Secure Site Design, LLC**, Dunkirk, MD (US)

(**) Term: **14 Years**

(21) Appl. No.: **29/393,585**

(22) Filed: **Jun. 7, 2011**

(51) **LOC (9) Cl.** **12-11**

(52) **U.S. Cl.** **D12/115**

(58) **Field of Classification Search** D12/115,
D12/120; 211/5, 17-22, 182; 248/176.1,
248/551-553, 127, 153; 280/293; D6/449,
D6/462

See application file for complete search history.

(56) **References Cited**

U.S. PATENT DOCUMENTS

D408,763 S	4/1999	Graber	
D408,764 S	4/1999	Graber	
D409,118 S	5/1999	Graber	
D605,093 S *	12/2009	Lohr et al. D12/115

* cited by examiner

Primary Examiner — Susan M Lee

Assistant Examiner — Linda G. Brooks

(74) *Attorney, Agent, or Firm* — Jacobson Holman PLLC

(57) **CLAIM**

The ornamental design for a bicycle rack, as shown and described.

DESCRIPTION

FIG. 1 is an isometric view of a bicycle rack showing a first embodiment of my new design.

FIG. 2 is a top plan view of the bicycle rack of FIG. 1.

FIG. 3 is a front elevational view of the bicycle rack of FIG. 1, the rear elevational view being a mirror image thereof.

FIG. 4 is a right side elevational view of the bicycle rack of FIG. 1, the left side elevational view being a mirror image thereof.

FIG. 5 is a bottom plan view of the bicycle rack of FIG. 1.

FIG. 6 is an isometric view of a bicycle rack showing a second embodiment of my new design.

FIG. 7 is a top plan view of the bicycle rack of FIG. 6.

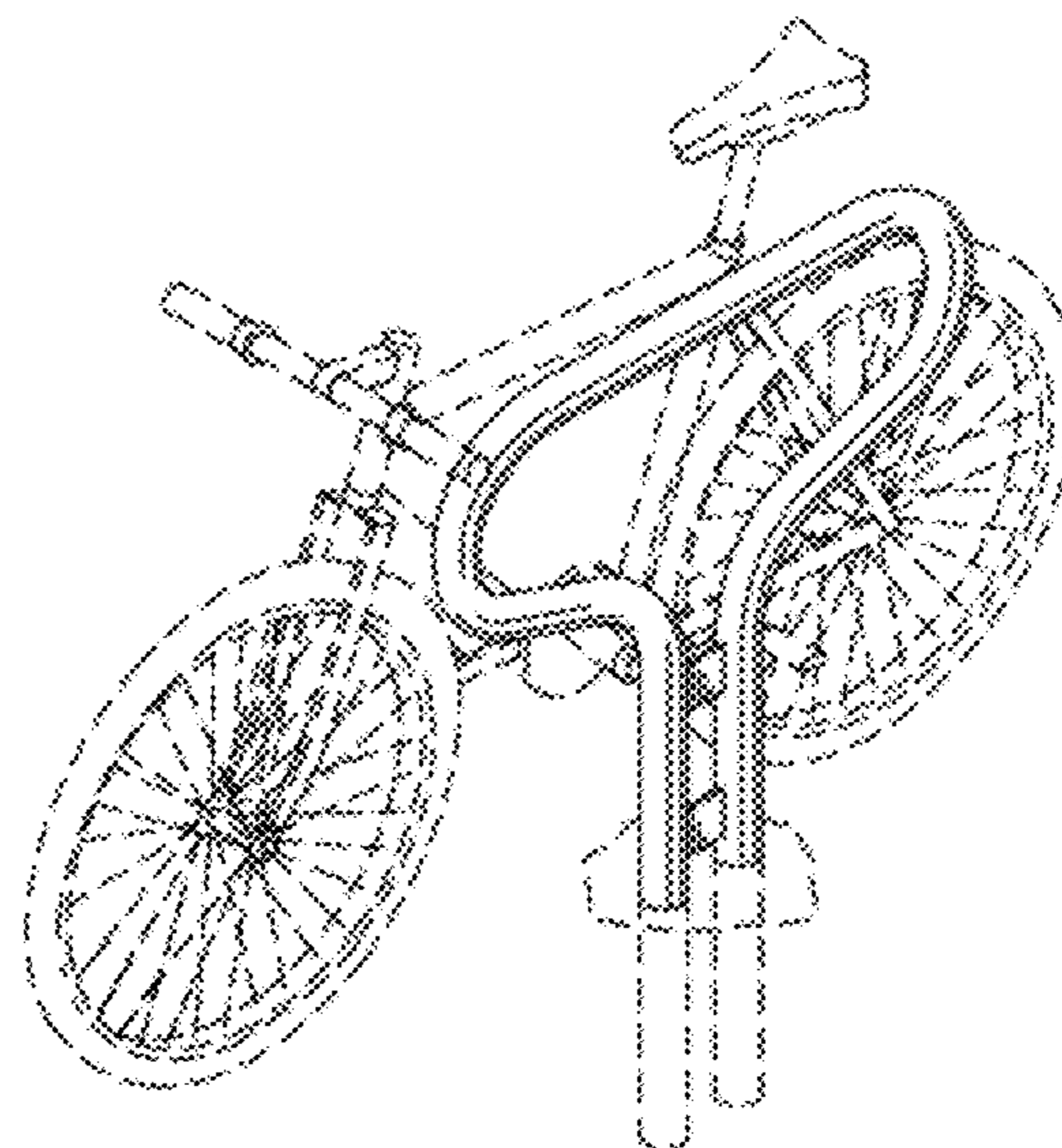
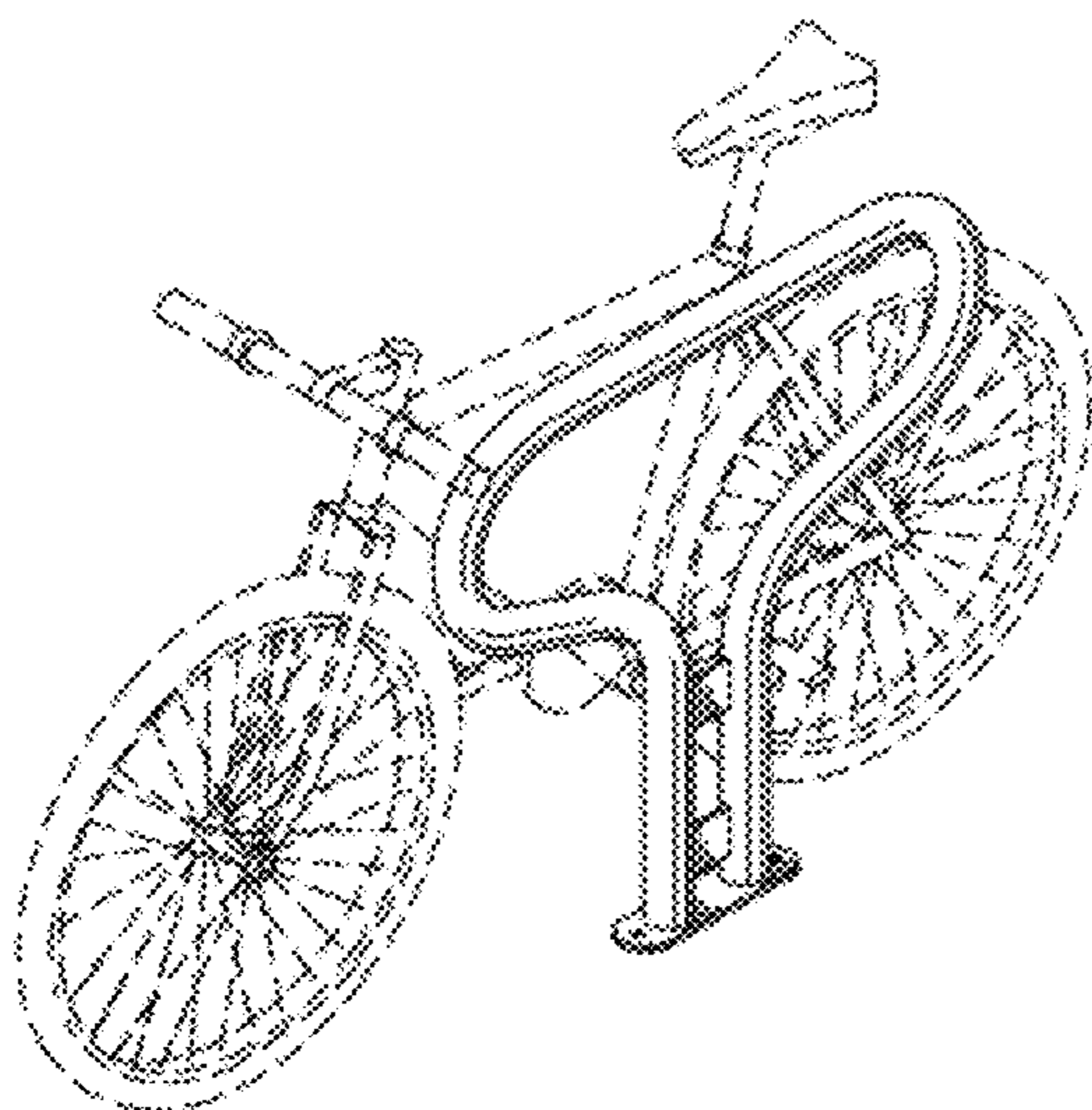
FIG. 8 is a front elevational view of the bicycle rack of FIG. 6, the rear elevational view being a mirror image thereof.

FIG. 9 is a right side elevational view of the bicycle rack of FIG. 6, the left side elevational view being a mirror image thereof; and,

FIG. 10 is a bottom plan view of the bicycle rack of FIG. 6.

The broken line showing of ground in FIG. 6, the broken line showing of post anchors in FIGS. 6, 8, and 9, and the broken line showing of a bicycle in FIGS. 1 and 6 are included for the purpose of illustrating use and environment and form no part of the claimed design.

1 Claim, 2 Drawing Sheets



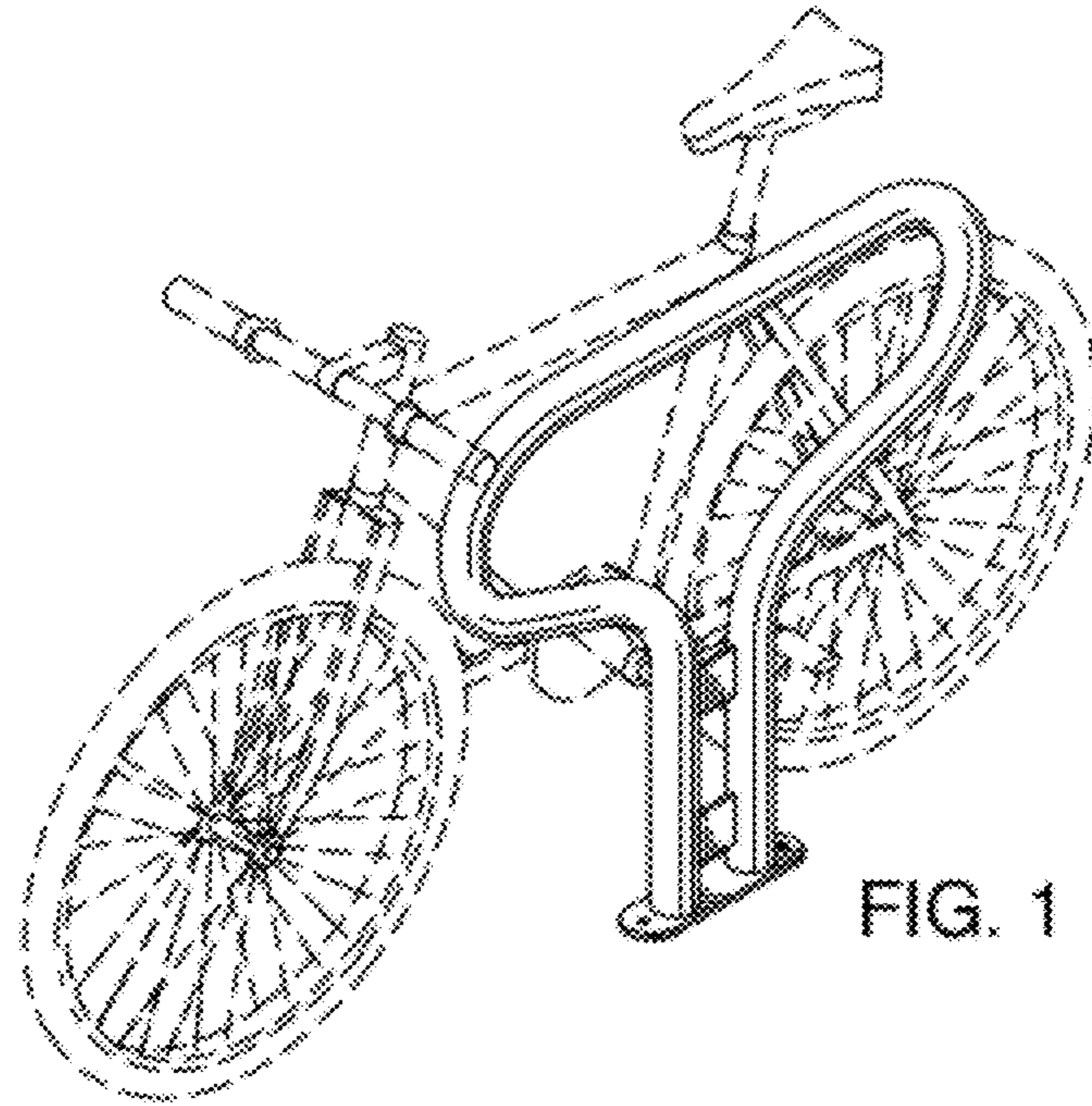


FIG. 1

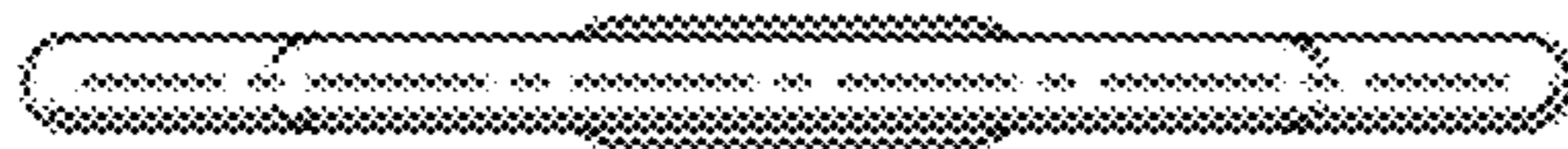


FIG. 2

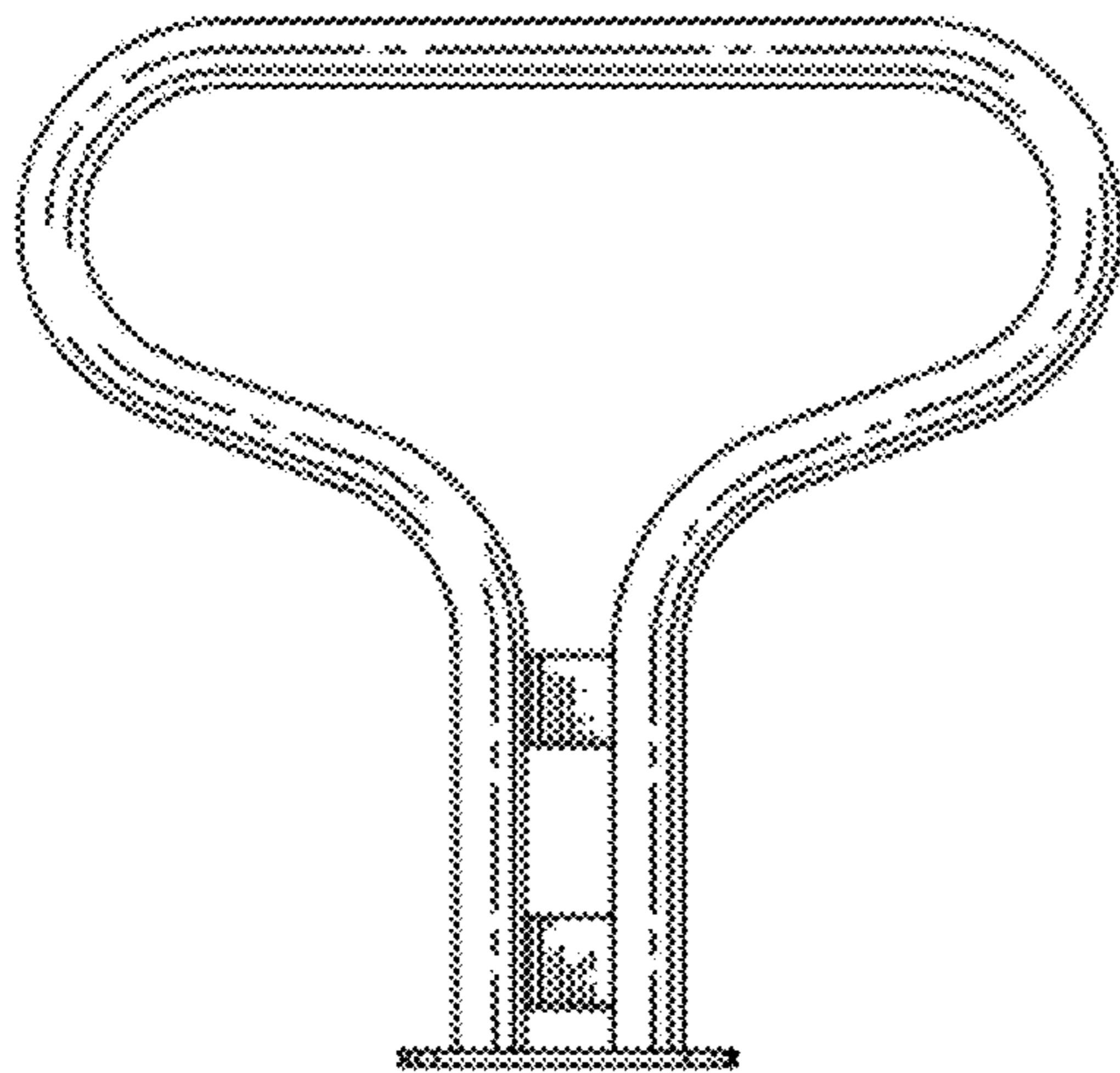


FIG. 3



FIG. 4



FIG. 5

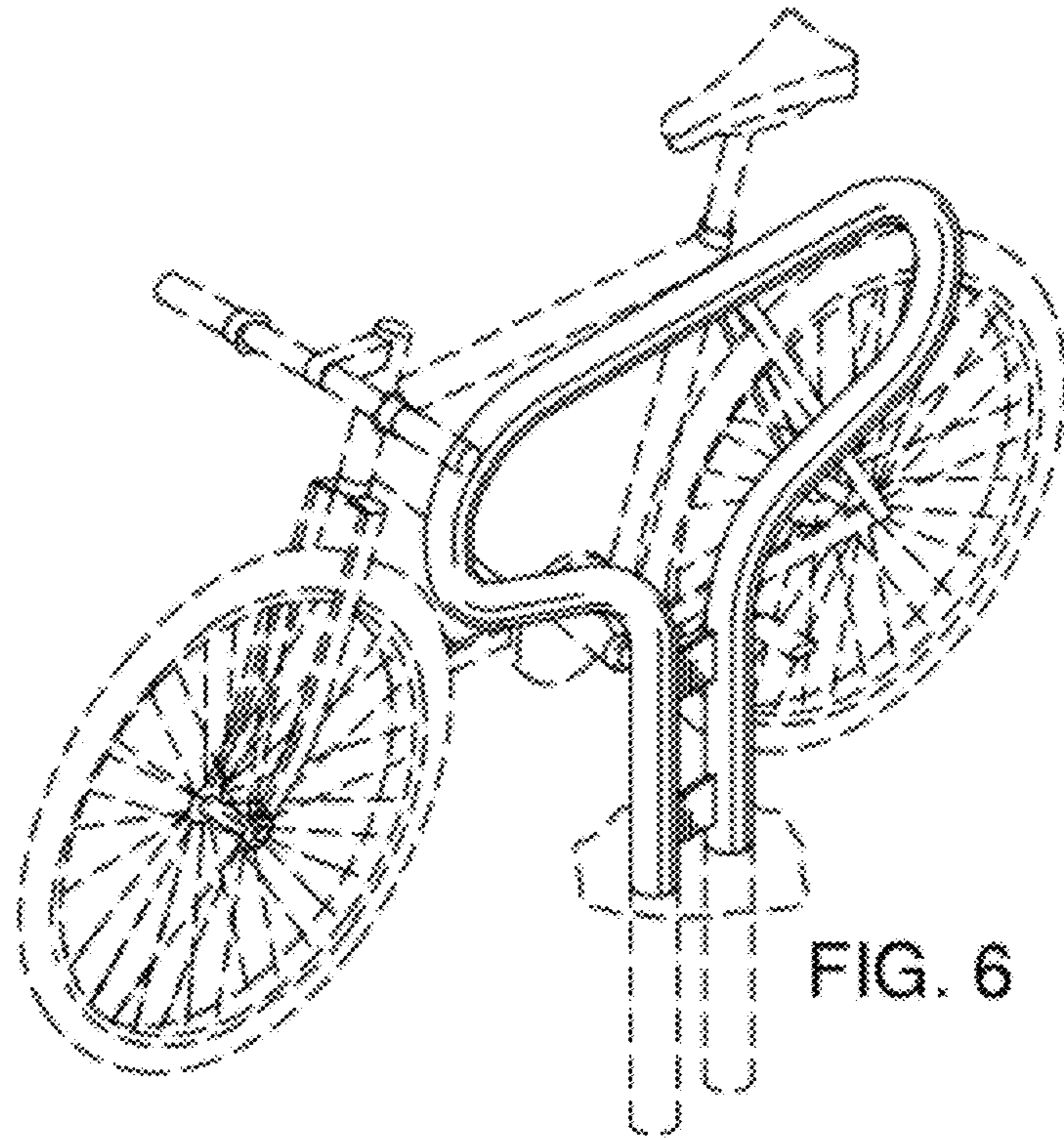


FIG. 6

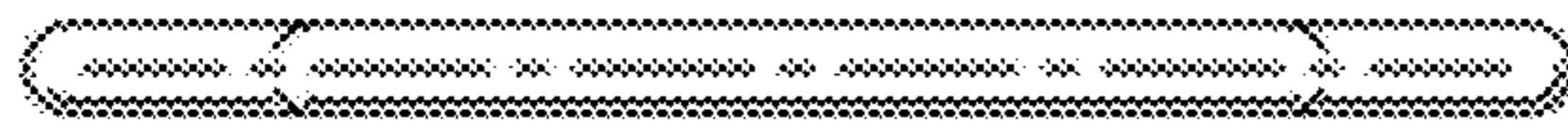


FIG. 7

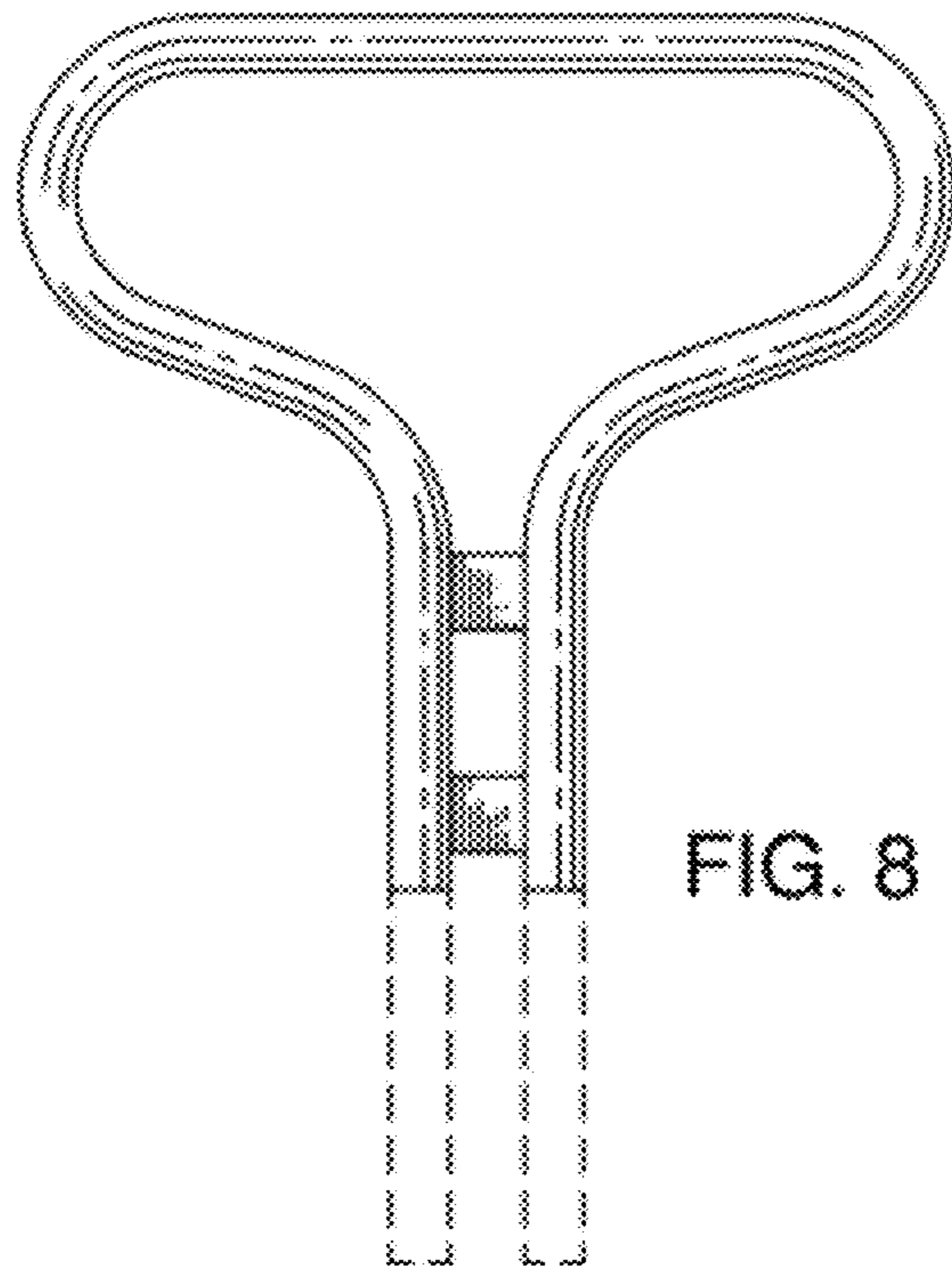


FIG. 8

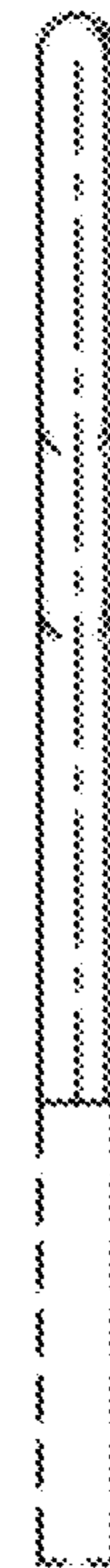


FIG. 9



FIG. 10