



US00D658549S

(12) **United States Design Patent**
Neumann et al.

(10) **Patent No.:** **US D658,549 S**

(45) **Date of Patent:** **** May 1, 2012**

(54) **SAW BUCK**

(76) Inventors: **Chad M. Neumann**, Ann Arbor, MI (US); **Michael V. Rzeppa**, Marine City, MI (US)

(**) Term: **14 Years**

(21) Appl. No.: **29/390,599**

(22) Filed: **Apr. 27, 2011**

(51) **LOC (9) Cl.** **12-10**

(52) **U.S. Cl.** **D12/106; D8/71; D12/162; D25/67**

(58) **Field of Classification Search** D25/67, D25/68; 182/181.1; 269/99, 296, 95, 100, 269/309; D12/106, 162; D8/71
See application file for complete search history.

(56) **References Cited**

U.S. PATENT DOCUMENTS

D266,274	S	*	9/1982	Arns	D25/67
D279,661	S	*	7/1985	Heard	D12/106
4,718,652	A		1/1988	Liebenstein		
5,472,180	A		12/1995	Bent		
5,632,475	A	*	5/1997	McCanse	269/17
D485,516	S	*	1/2004	McCoy et al.	D12/162
D612,774	S	*	3/2010	Gordon	D12/162
2010/0156018	A1		6/2010	Maire		

FOREIGN PATENT DOCUMENTS

EP 0064480 A2 4/1982

* cited by examiner

Primary Examiner — Doris Clark

(74) *Attorney, Agent, or Firm* — Harness, Dickey & Pierce, P.L.C.

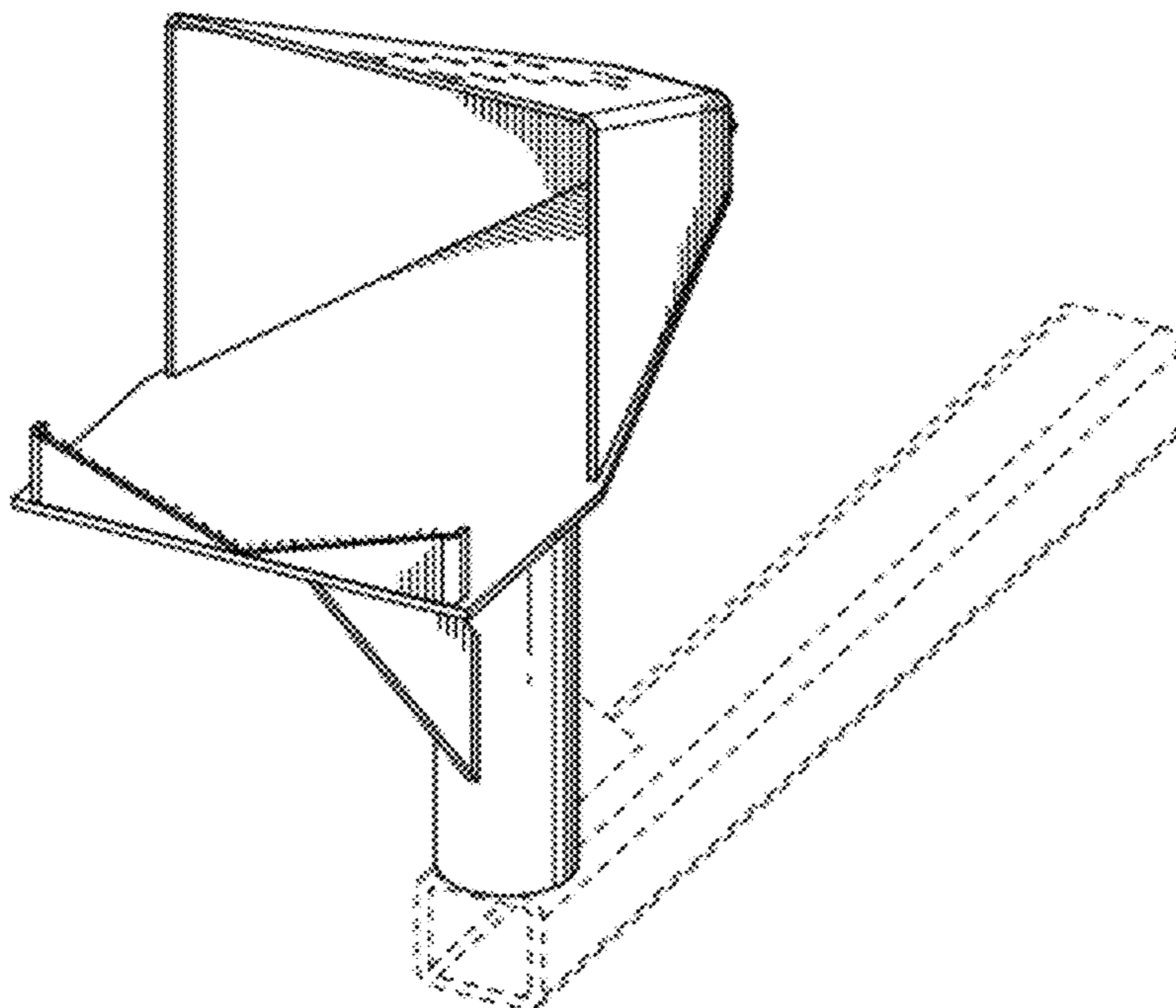
(57) **CLAIM**

The ornamental design for a saw buck, as shown and described.

DESCRIPTION

FIG. 1 is a front perspective view of a first embodiment of an ornamental design for a saw buck;
FIG. 2 is a front view of the first embodiment thereof;
FIG. 3 is a rear view of the first embodiment thereof;
FIG. 4 is a first side view of the first embodiment thereof;
FIG. 5 is a second side view of the first embodiment thereof;
FIG. 6 is a top view of the first embodiment thereof; and
FIG. 7 is a bottom view of the first embodiment thereof.
FIG. 8 is a front perspective view of a second embodiment of an ornamental design for a saw buck;
FIG. 9 is a front view of the second embodiment thereof;
FIG. 10 is a rear view of the second embodiment thereof;
FIG. 11 is a first side view of the second embodiment thereof;
FIG. 12 is a second side view of the second embodiment thereof;
FIG. 13 is a top view of the second embodiment thereof; and
FIG. 14 is a bottom view of the second embodiment thereof.
The broken lines showing tabs on the upper surface of the saw buck in FIGS. 1-3, 6, 8-10 and 13 and showing teeth on the cradle in FIGS. 1-3 and 8-10 are for the purpose of illustrating log retaining elements, while all other broken lines are directed to environment and are for illustrative purposes only; the broken lines form no part of the claimed design.

1 Claim, 6 Drawing Sheets



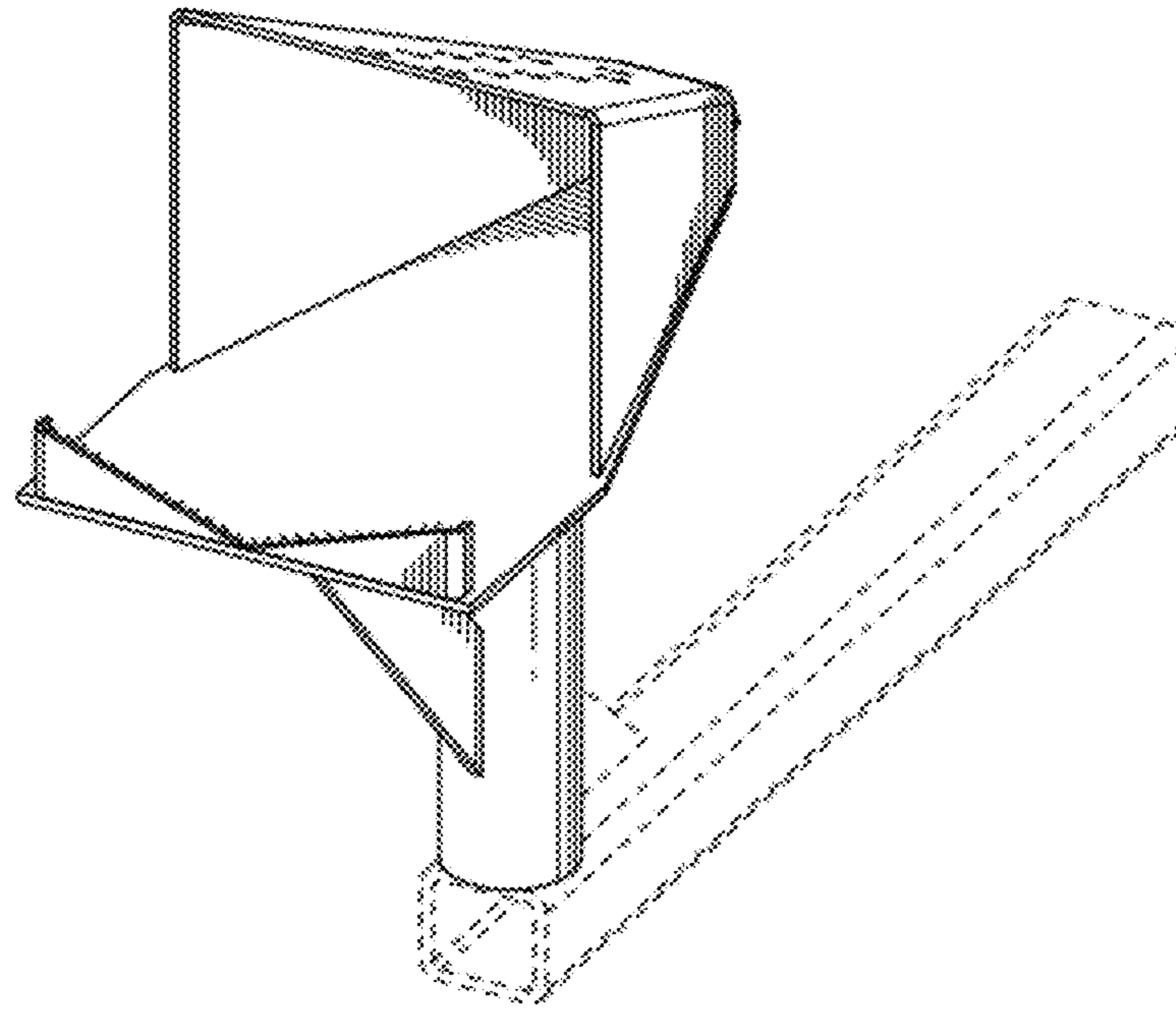


FIG. 1

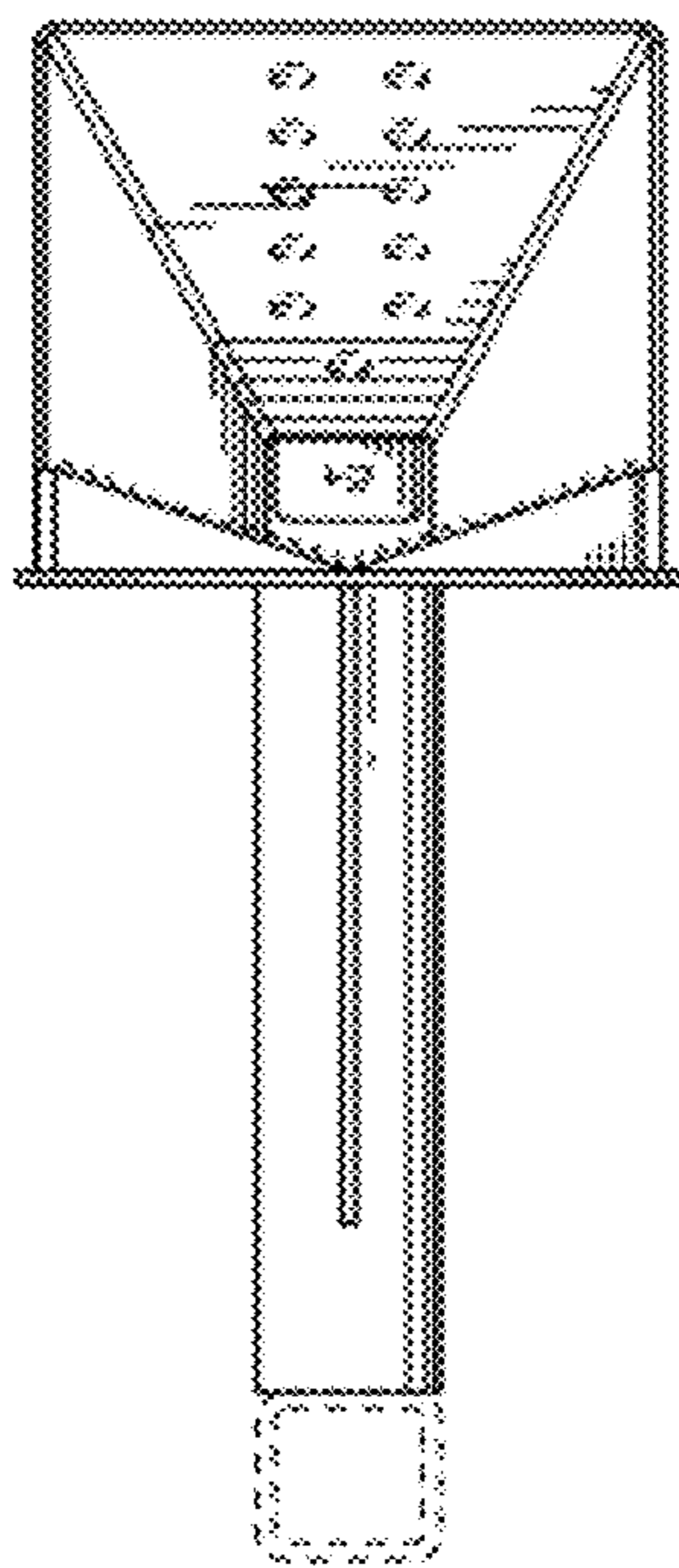


FIG. 2

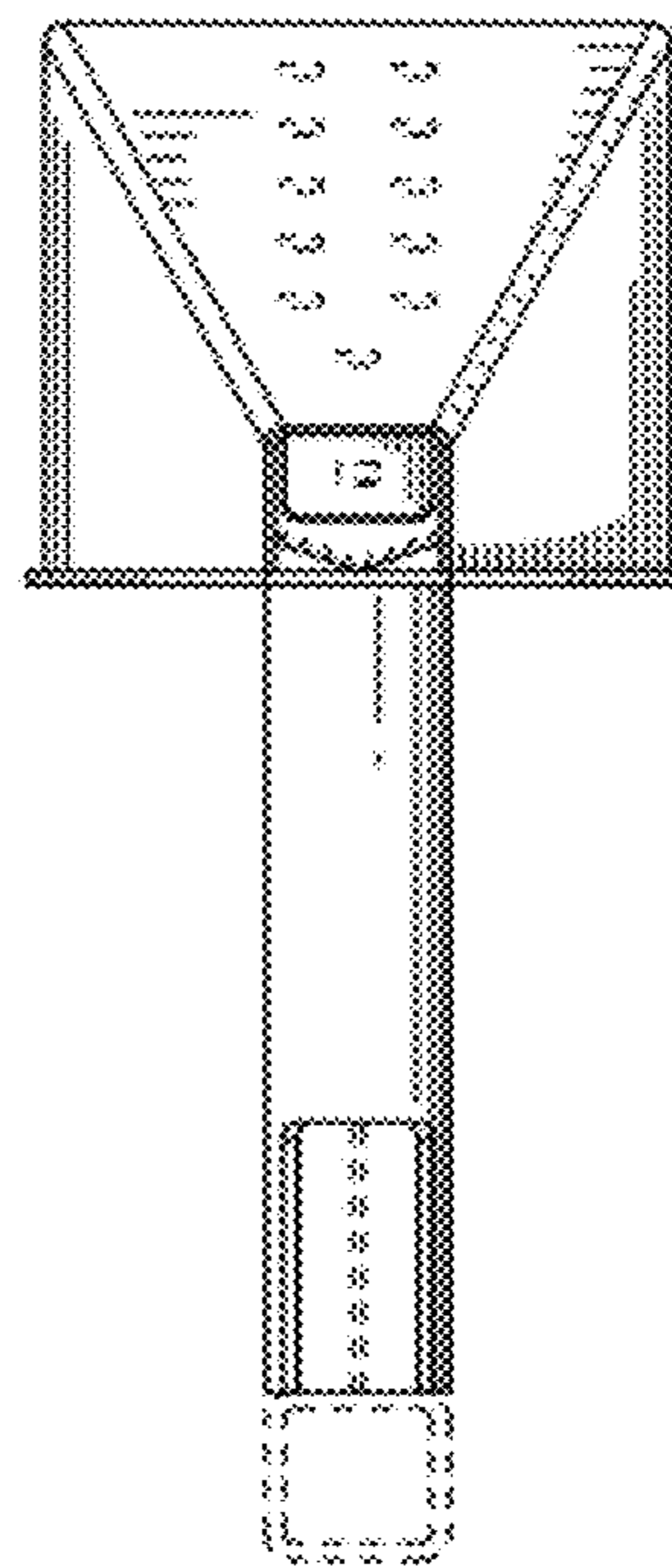


FIG. 3

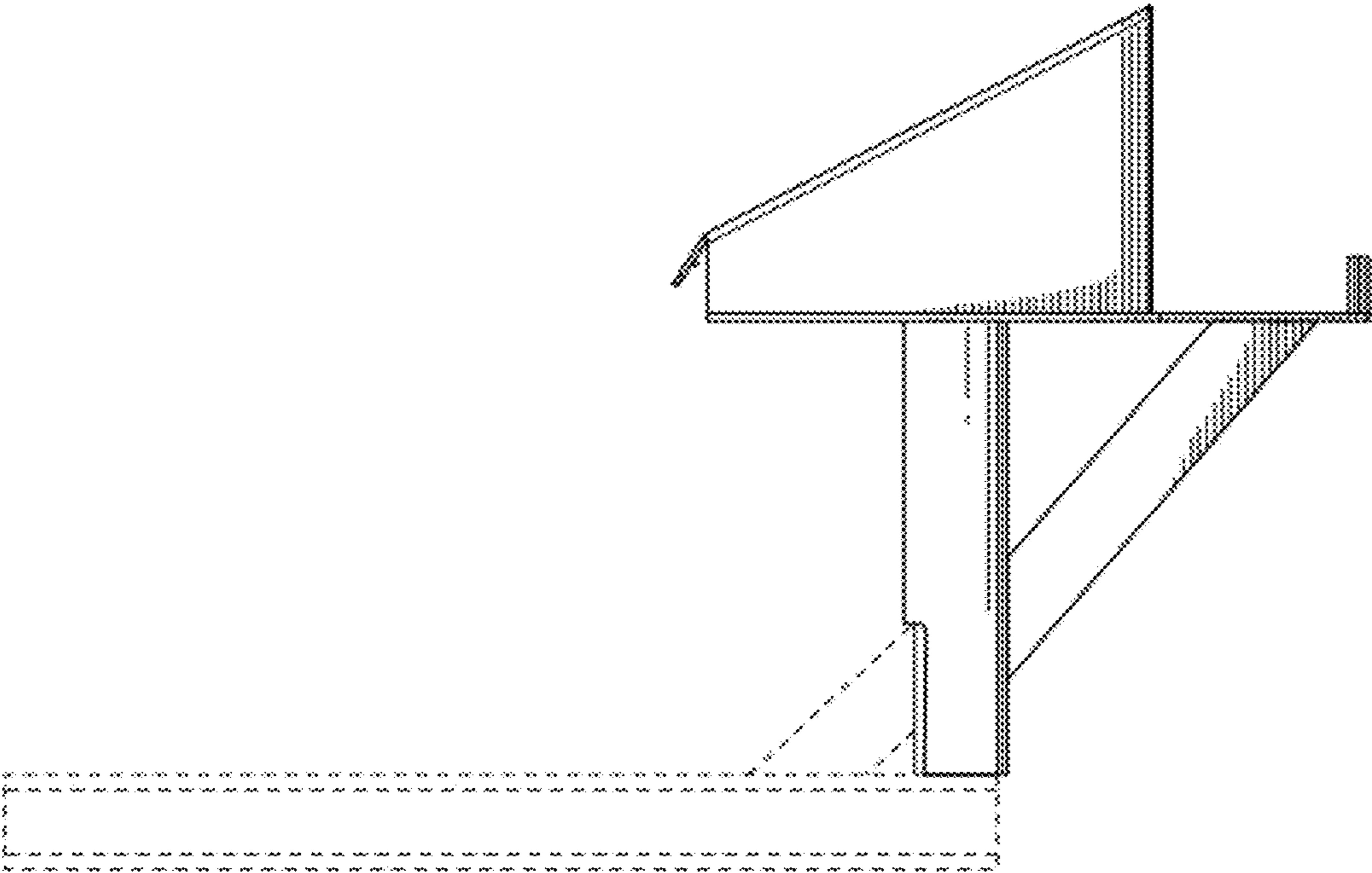


FIG. 4

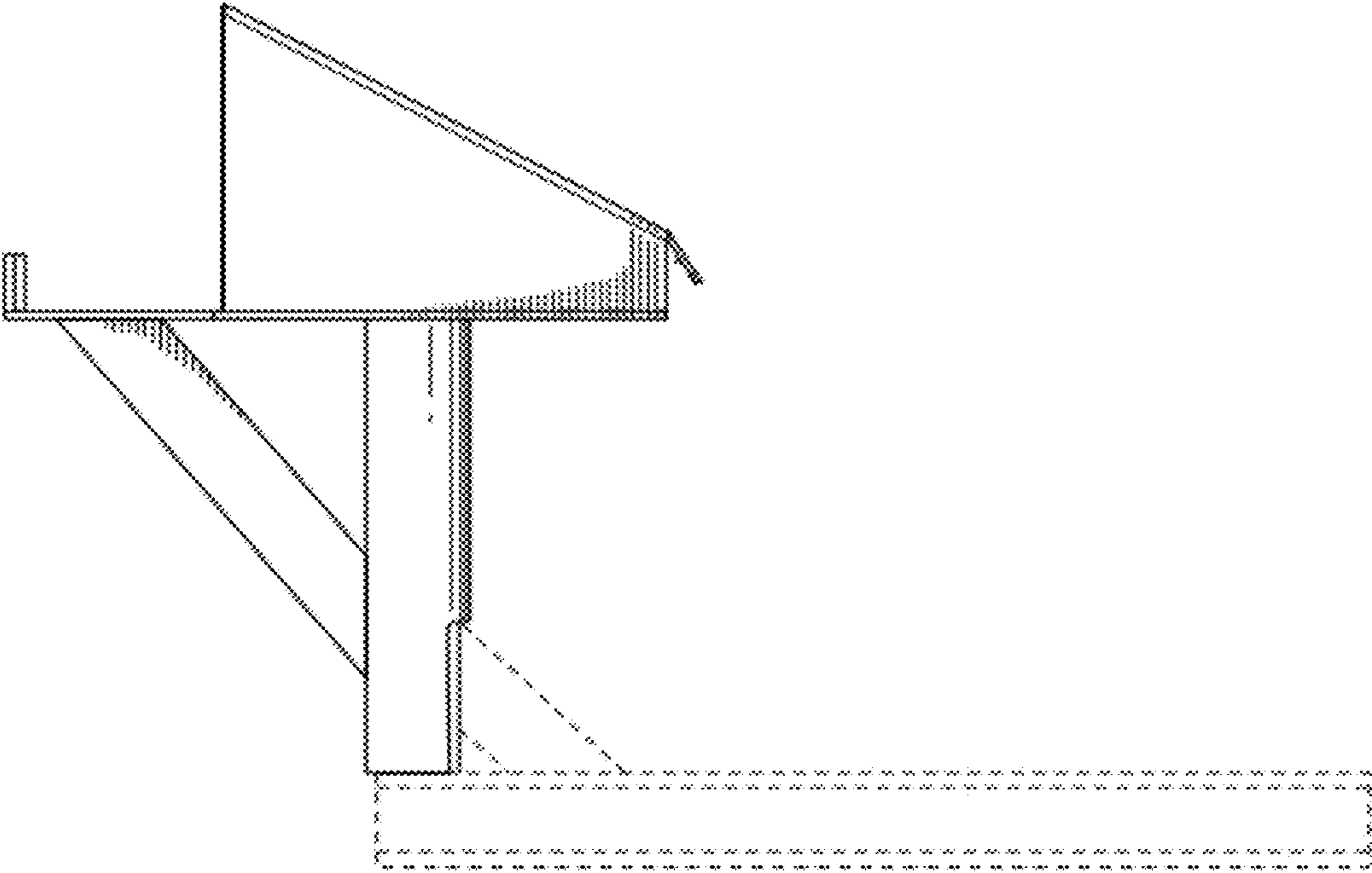


FIG. 5

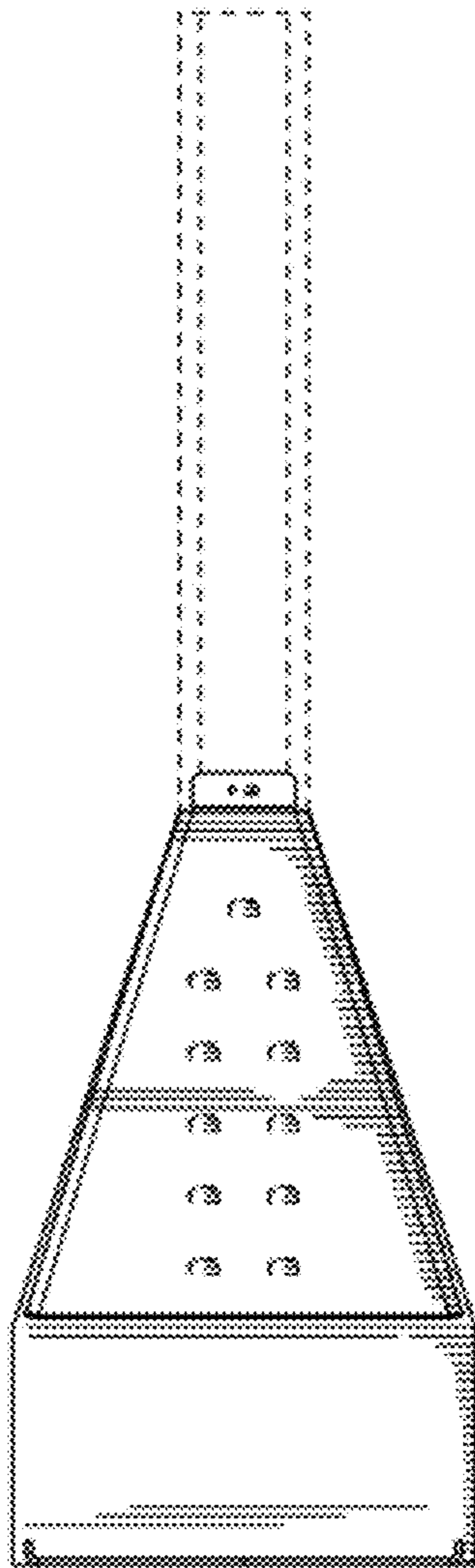


FIG. 6

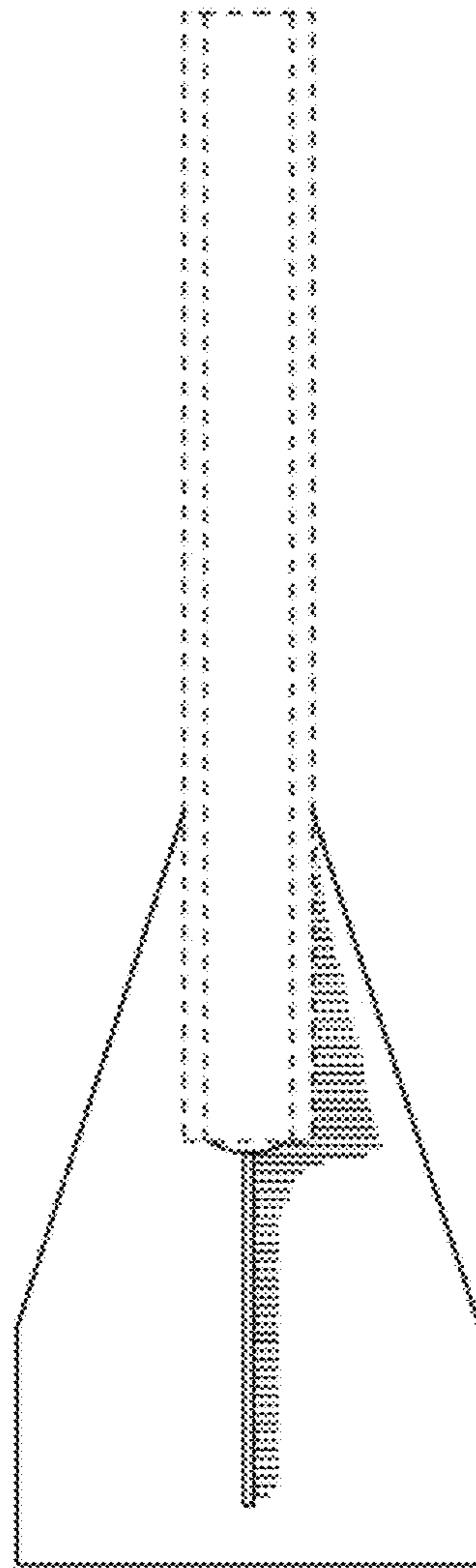


FIG. 7

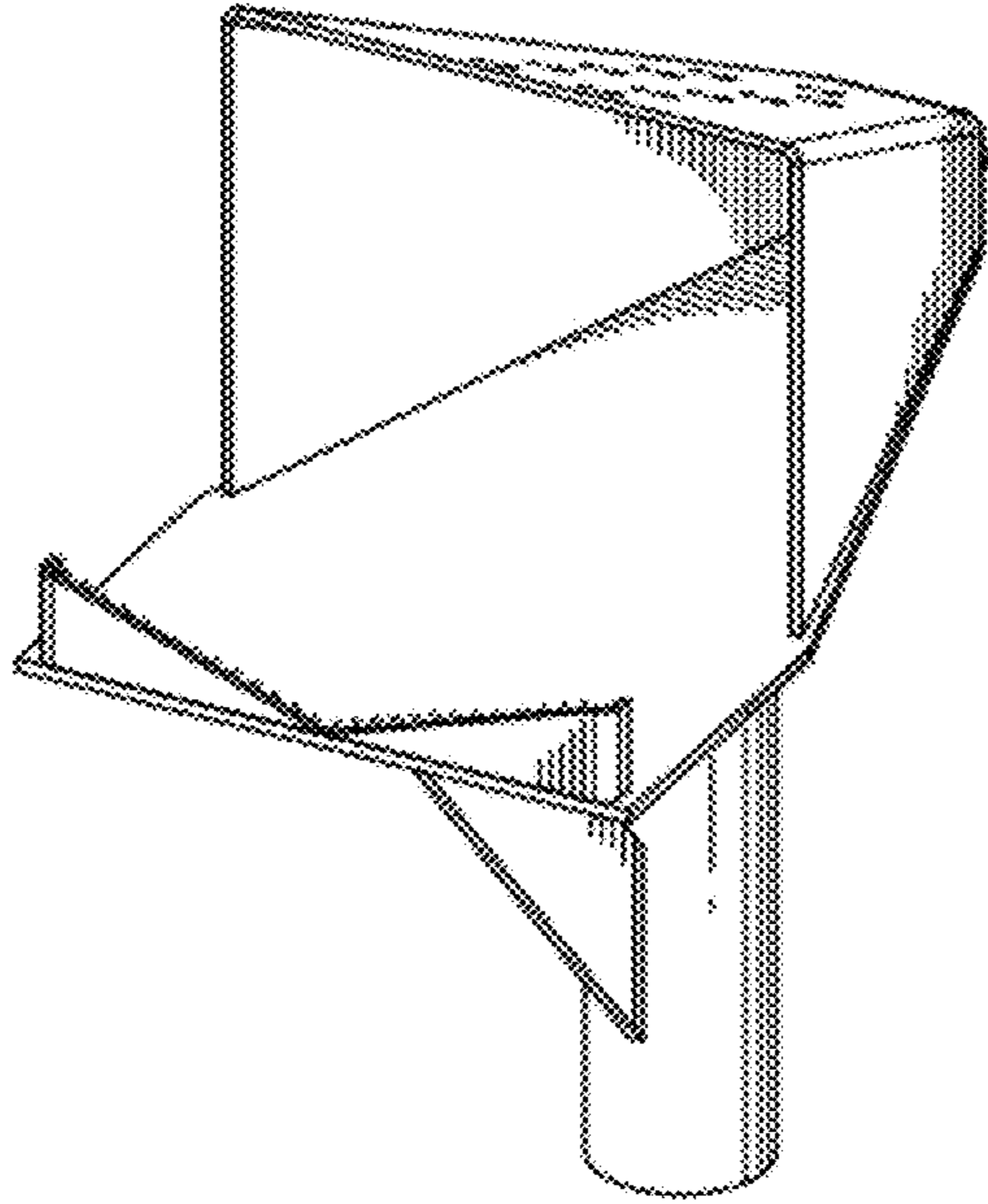


FIG. 8

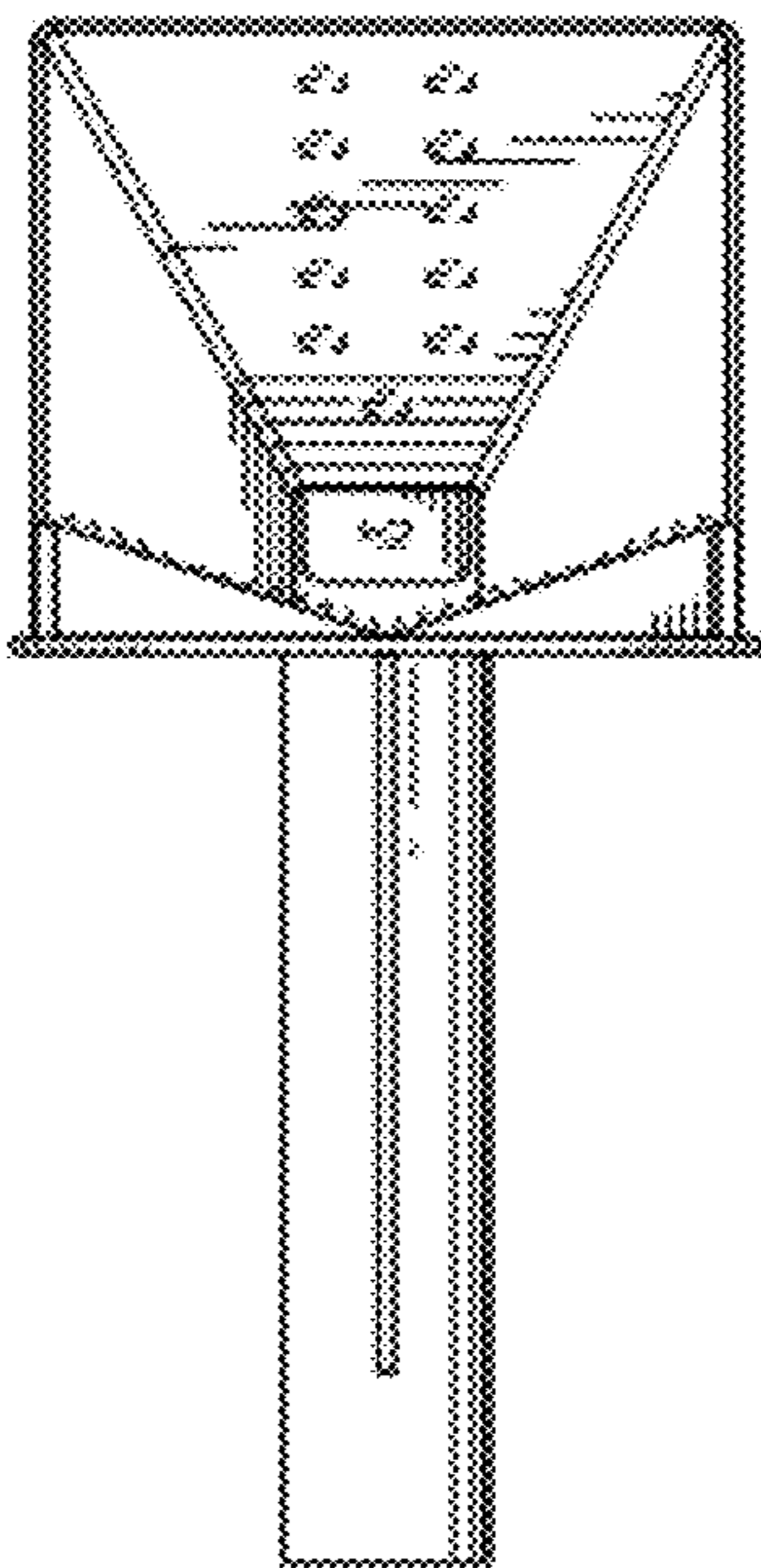


FIG. 9

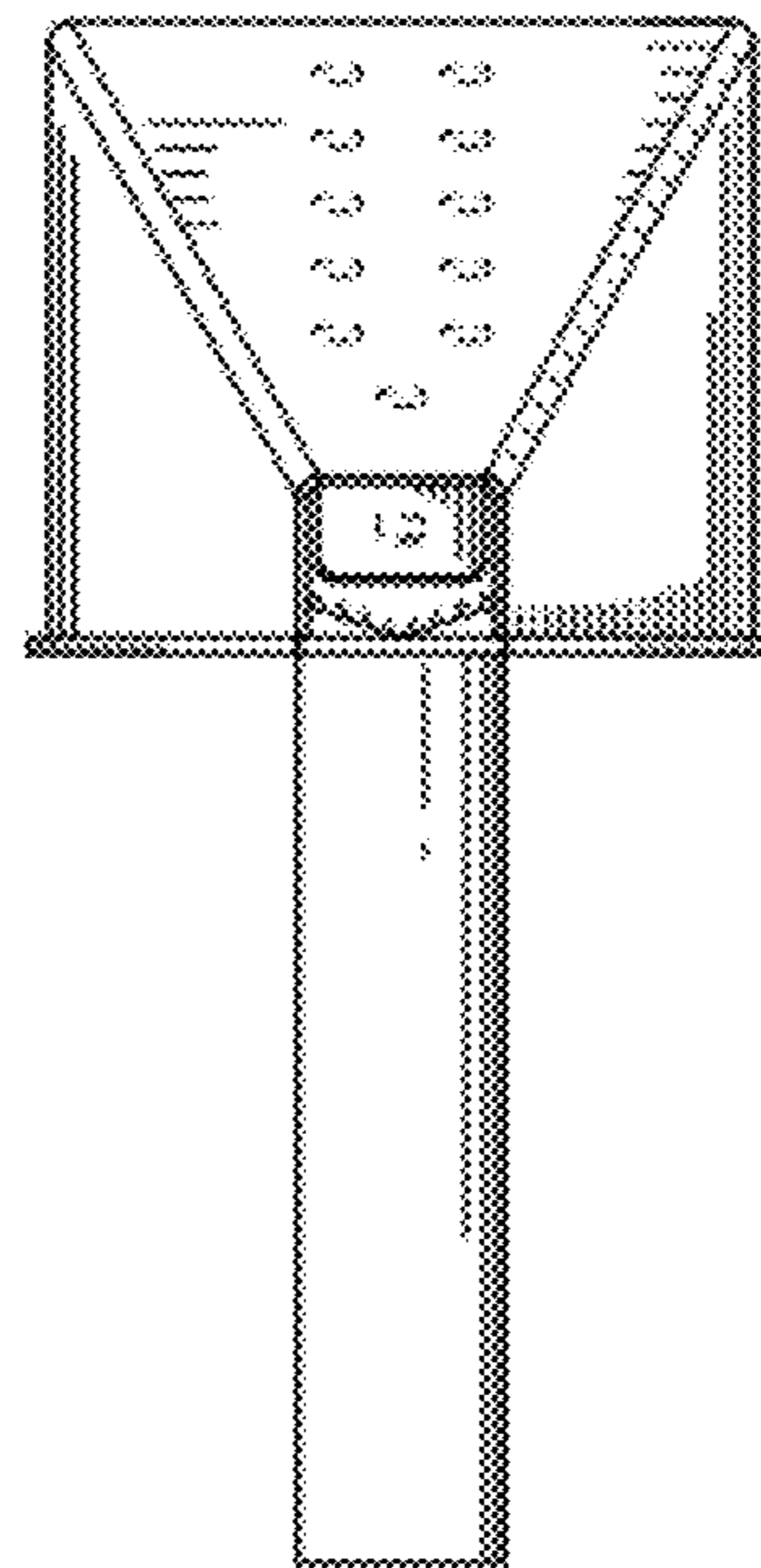


FIG. 10

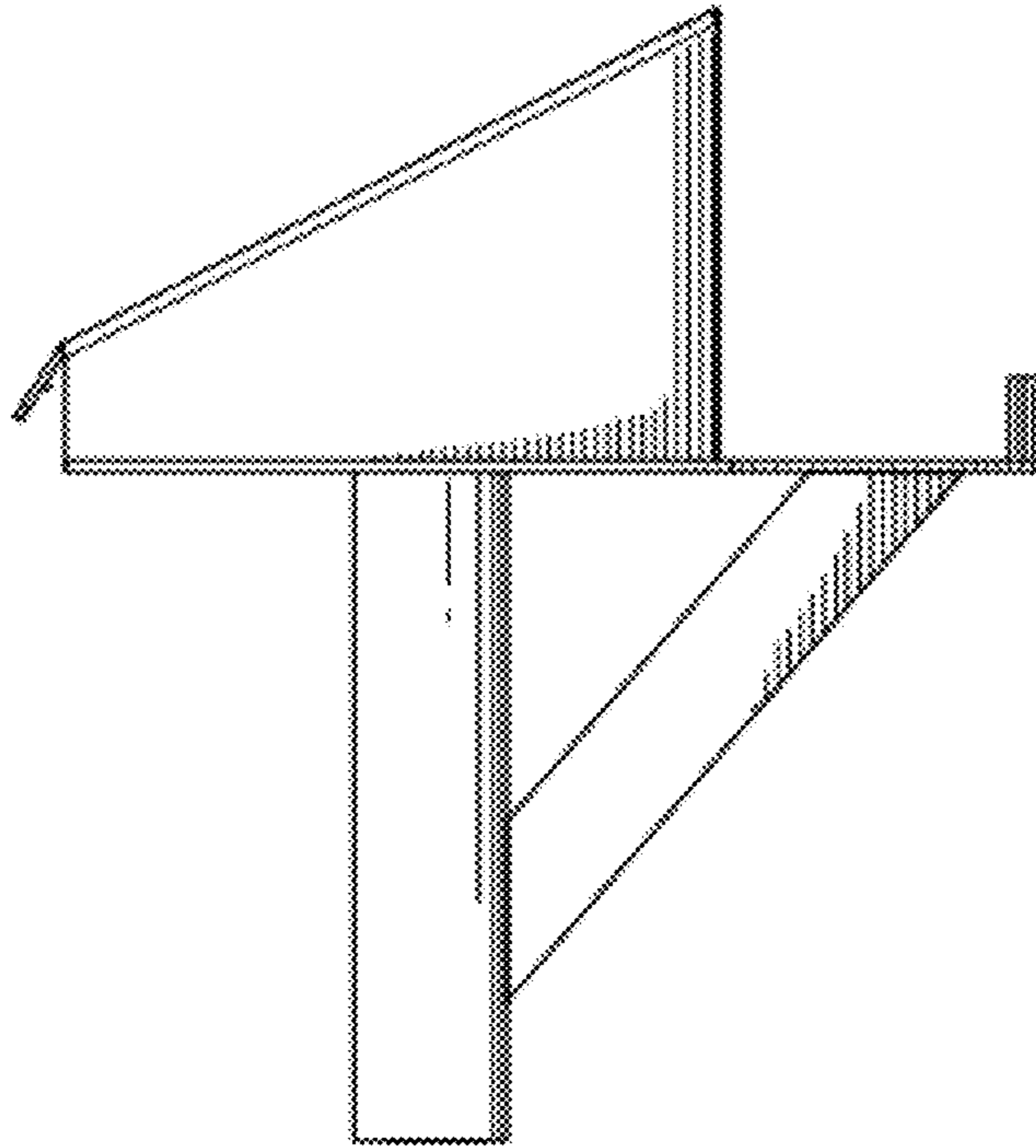


FIG. 11

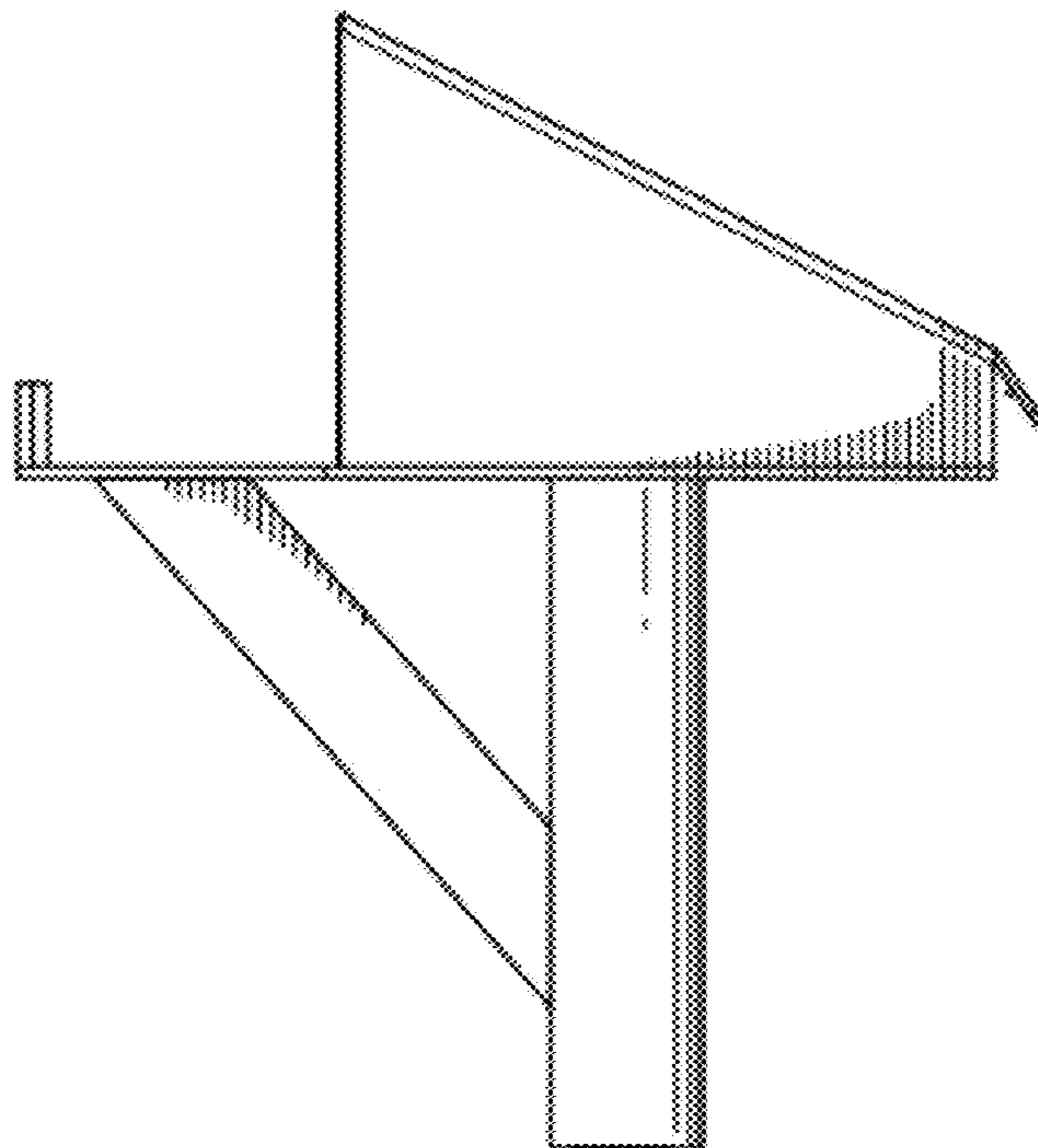


FIG. 12

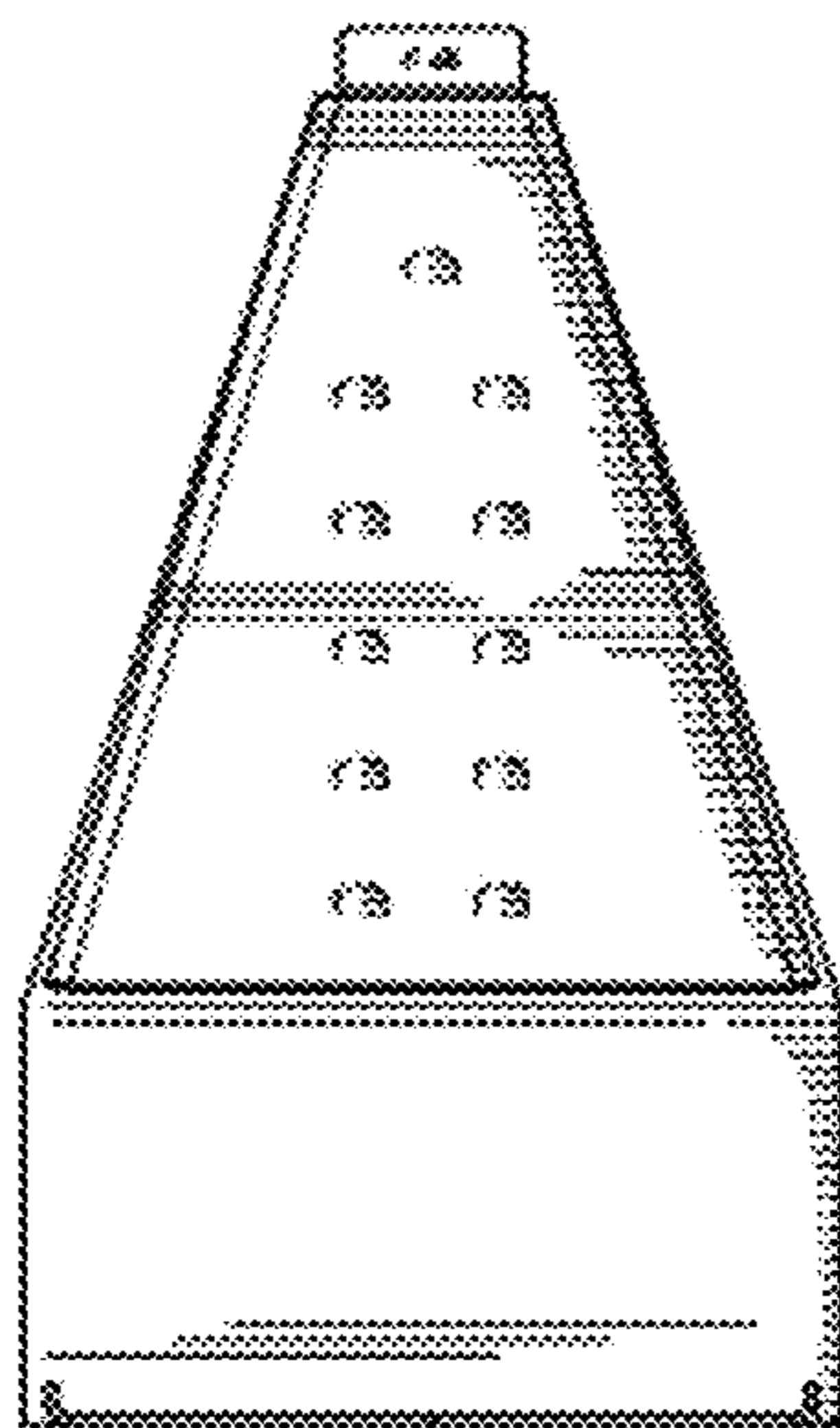


FIG. 13

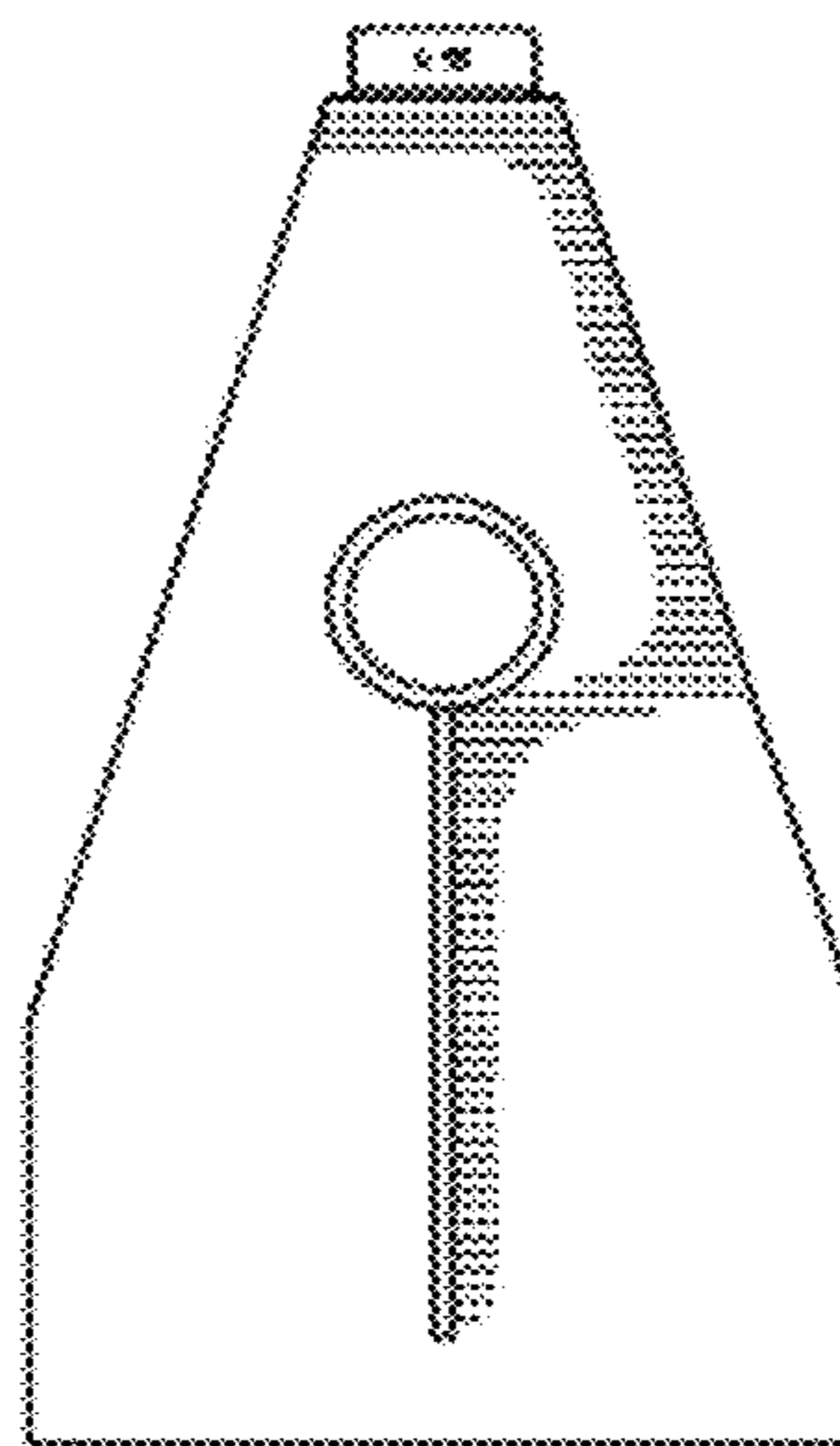


FIG. 14