



US00D658547S

(12) **United States Design Patent**
Abdallah

(10) **Patent No.:** **US D658,547 S**

(45) **Date of Patent:** **** May 1, 2012**

(54) **VEHICLE BODY**

Primary Examiner — Melody N Brown

(76) Inventor: **Bassam Abdallah**, Paris (FR)

(74) *Attorney, Agent, or Firm* — Quinn Law Group, PLLC

(**) Term: **14 Years**

(21) Appl. No.: **29/380,687**

(57) **CLAIM**

I claim the ornamental design for a vehicle body, as shown and described.

(22) Filed: **Dec. 9, 2010**

(51) **LOC (9) Cl.** **12-08**

(52) **U.S. Cl.** **D12/92**

(58) **Field of Classification Search** D12/86,
D12/90-92; D21/433, 434; 296/181.1, 181.5
See application file for complete search history.

DESCRIPTION

FIG. 1 is front left perspective view of a vehicle body;
FIG. 2 is a rear right perspective view of the vehicle body of FIG. 1;
FIG. 3 is a left side view of the vehicle body of FIG. 1;
FIG. 4 is a right side view of the vehicle body of FIG. 1;
FIG. 5 is front view of the vehicle body of FIG. 1;
FIG. 6 is a rear view of the vehicle body of FIG. 1; and,
FIG. 7 is a top view of the vehicle body of FIG. 1.
All broken lines illustrate portions of the vehicle body to which the design is applied that form no part of the claim.

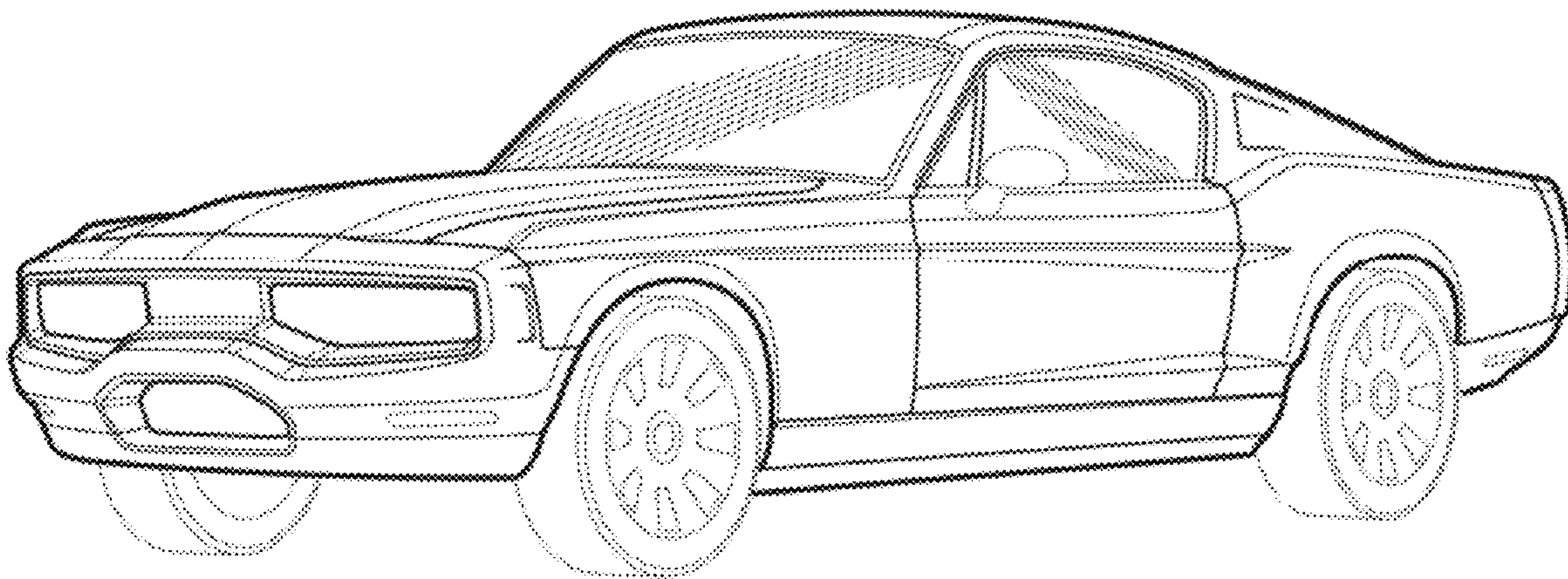
(56) **References Cited**

U.S. PATENT DOCUMENTS

D552,514 S *	10/2007	Castiglione et al.	D12/92
D582,315 S *	12/2008	Fitzgerald	D12/92
D594,783 S *	6/2009	McCoy et al.	D12/92
D620,395 S *	7/2010	Abdallah	D12/92
D620,397 S *	7/2010	Abdallah	D12/92
D620,398 S *	7/2010	Abdallah	D12/92

* cited by examiner

1 Claim, 5 Drawing Sheets



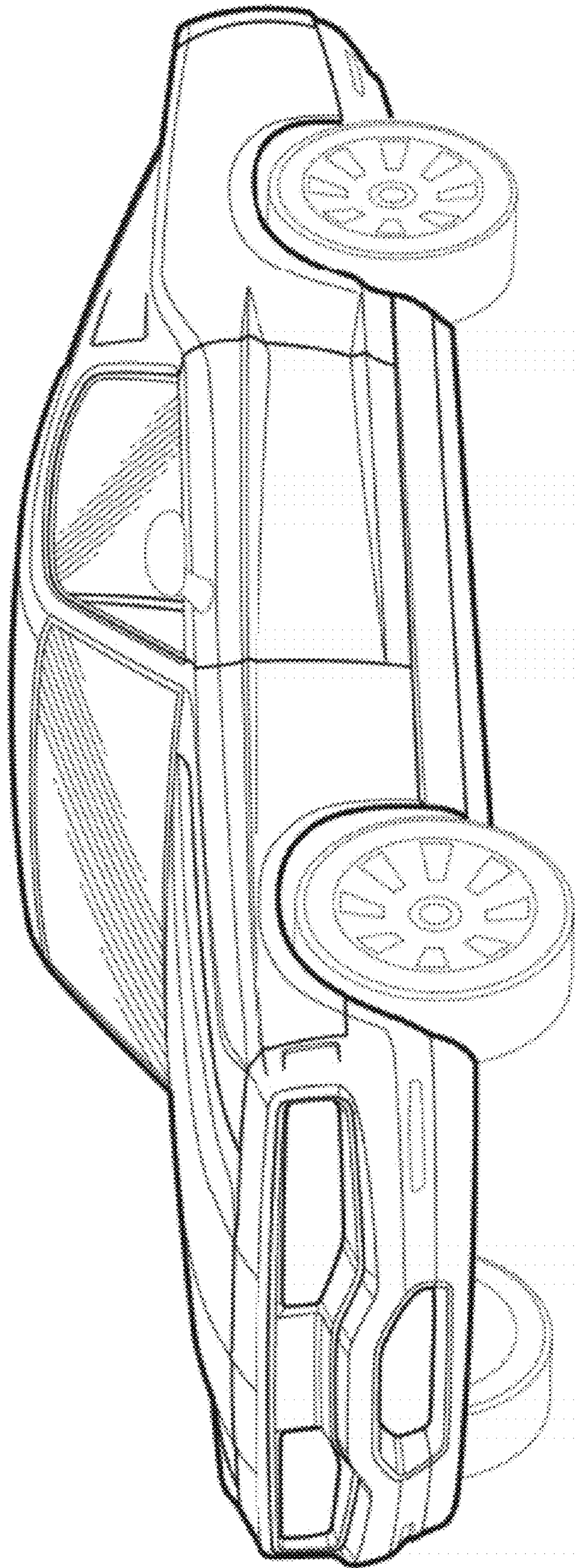


FIG. 1

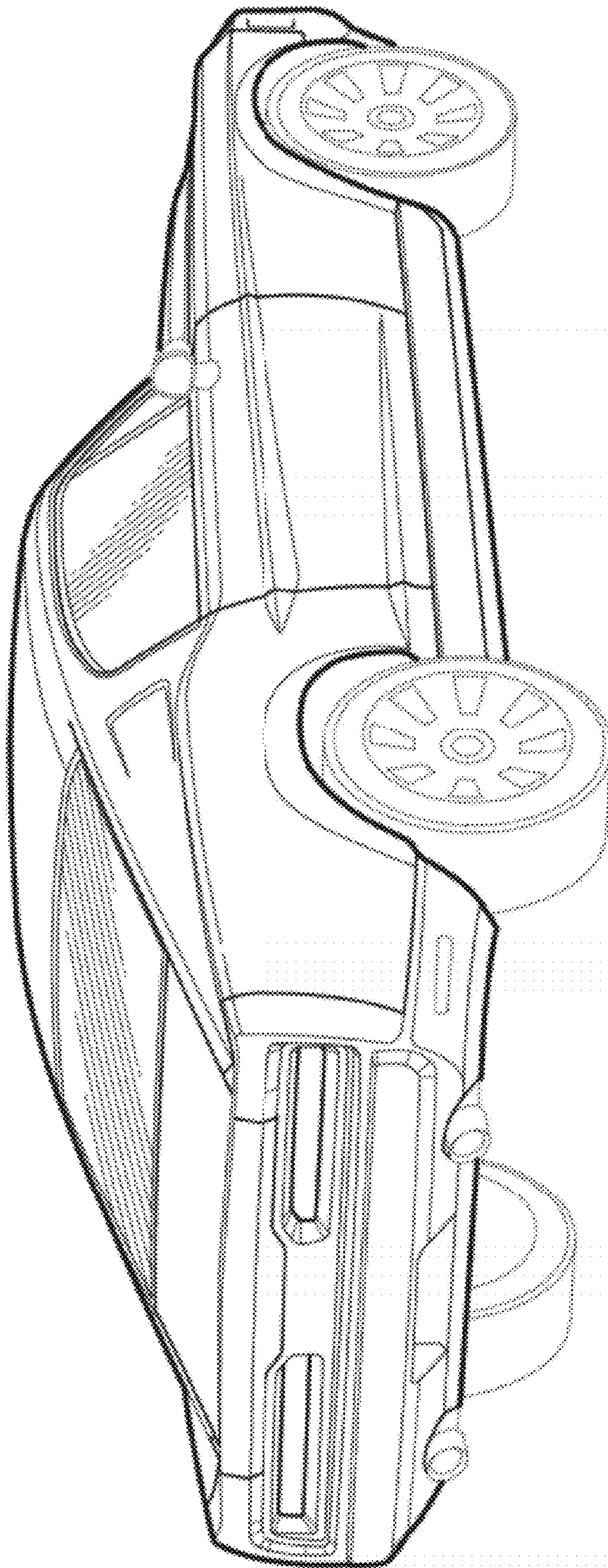


FIG. 2

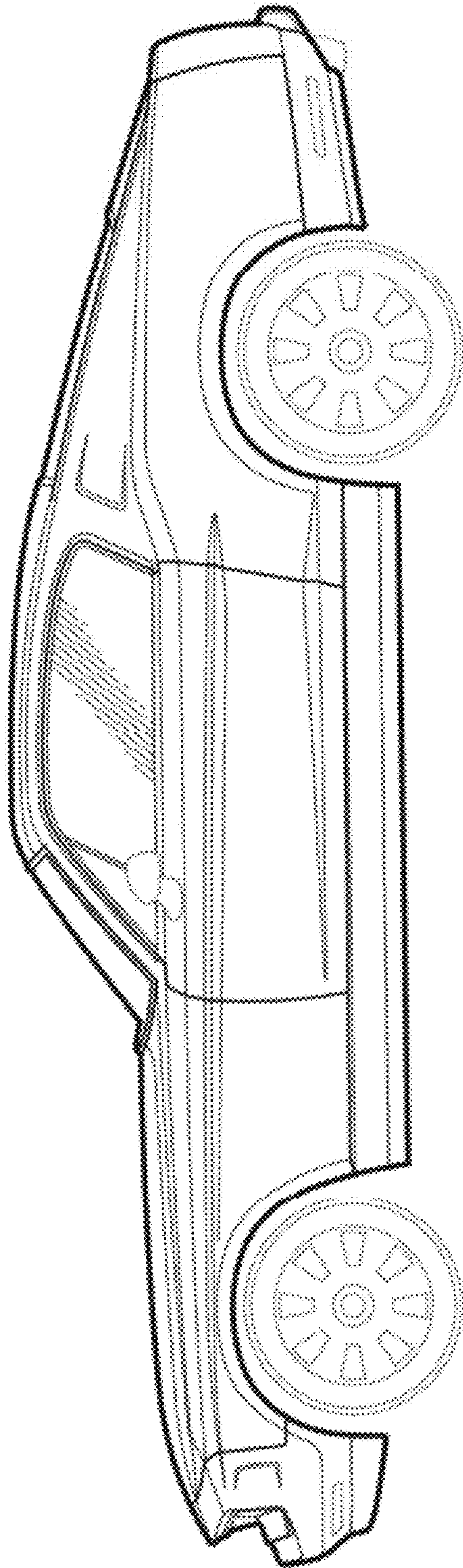


FIG. 3

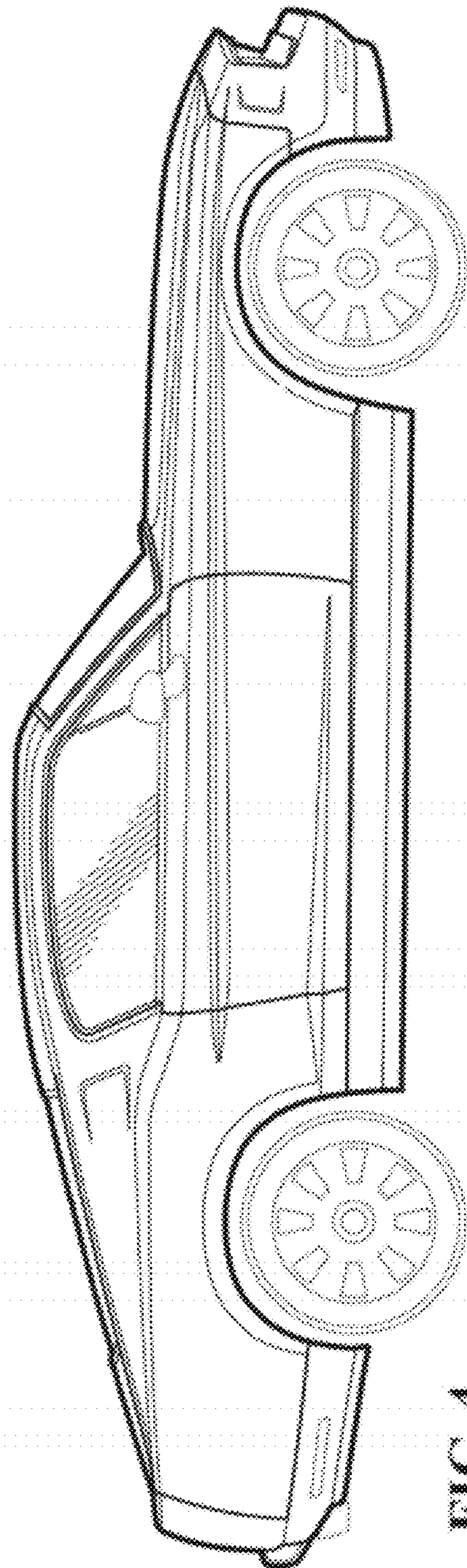


FIG. 4

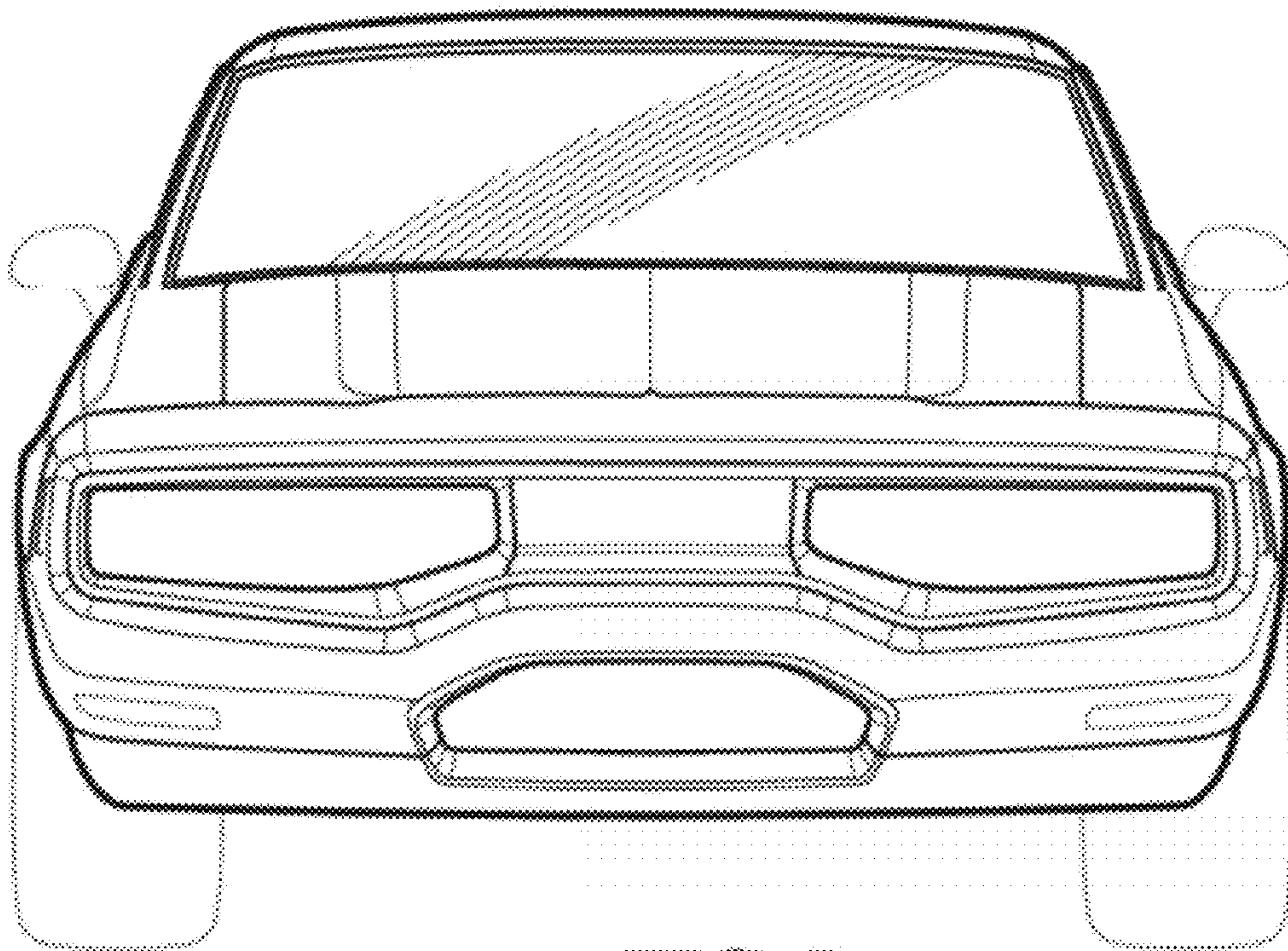


FIG. 5

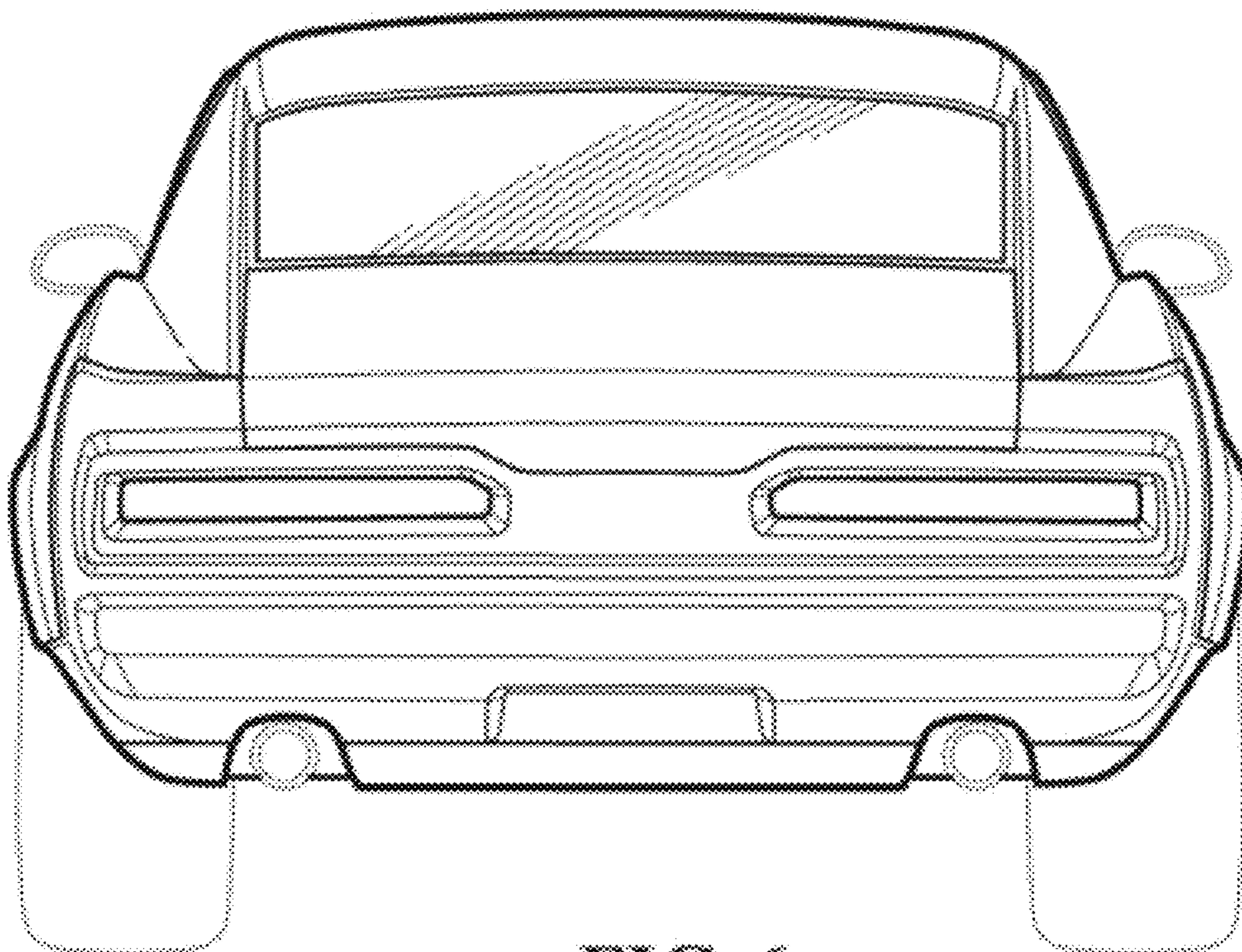


FIG. 6

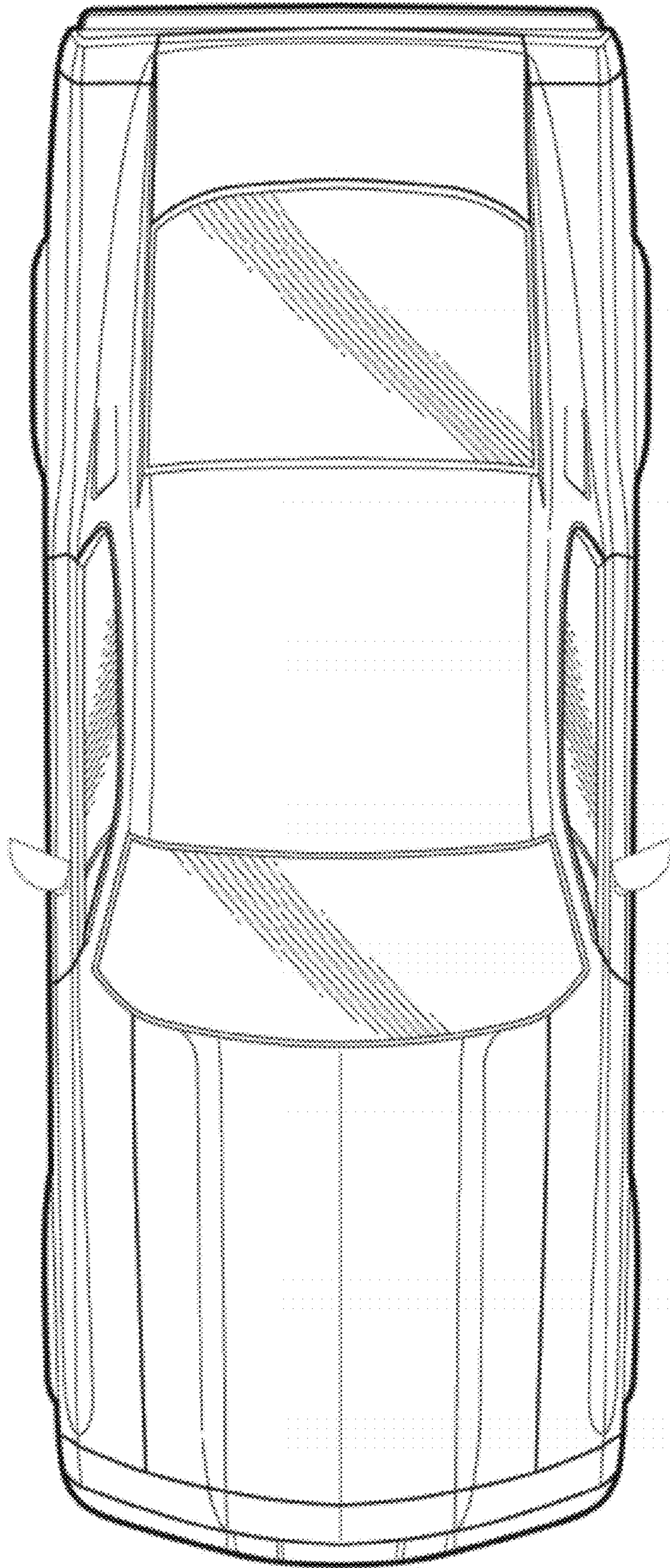


FIG. 7