



US00D658545S

(12) **United States Design Patent**
Van Braeckel

(10) **Patent No.:** **US D658,545 S**

(45) **Date of Patent:** **** May 1, 2012**

(54) **MOTOR VEHICLE**

(75) **Inventor:** **Dirk Van Braeckel**, Chester (GB)

(73) **Assignee:** **Bentley Motors Limited** (GB)

(**) **Term:** **14 Years**

(21) **Appl. No.:** **29/382,542**

(22) **Filed:** **Jan. 5, 2011**

(30) **Foreign Application Priority Data**

Jul. 22, 2010 (EP) 001734419-0001-4

(51) **LOC (9) Cl.** **12-08**

(52) **U.S. Cl.** **D12/91**

(58) **Field of Classification Search** D12/86,
D12/90-92; D21/424, 433, 434; 296/181.1,
296/181.5

See application file for complete search history.

(56) **References Cited**

U.S. PATENT DOCUMENTS

D406,798 S * 3/1999 Sacco et al. D12/92
D410,216 S * 5/1999 Axe et al. D12/92
D446,752 S * 8/2001 Akashi et al. D12/91

D453,713 S * 2/2002 McMahan et al. D12/91
D460,930 S * 7/2002 Fujita D12/92
D473,165 S * 4/2003 Djordjevic D12/91
D511,483 S * 11/2005 Djordjevic D12/92
D558,642 S * 1/2008 van Braeckel D12/92
D574,752 S * 8/2008 van Braeckel D12/92
D623,989 S * 9/2010 Thurner D12/92

* cited by examiner

Primary Examiner — Melody N Brown

(74) *Attorney, Agent, or Firm* — Salter & Michaelson

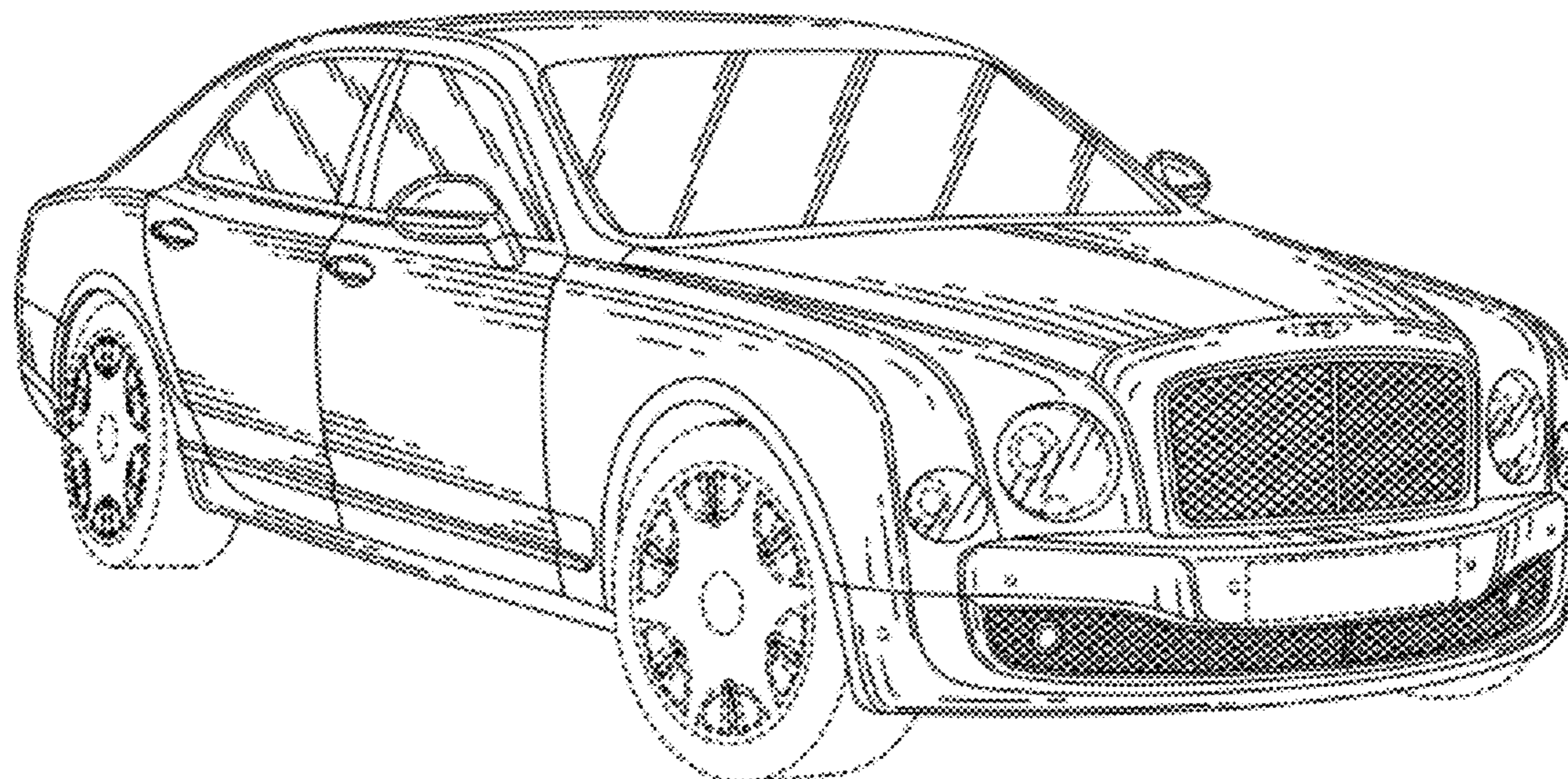
(57) **CLAIM**

The ornamental design for a motor vehicle, as shown and described.

DESCRIPTION

FIG. 1 is a front perspective view of motor vehicle;
FIG. 2 is a front elevational view thereof;
FIG. 3 is a rear elevational view thereof;
FIG. 4 is a top plan view thereof;
FIG. 5 is a left side elevational view thereof;
FIG. 6 is a right side elevational view thereof; and,
FIG. 7 is a rear perspective view thereof.
The portions shown in broken lines are included for illustrative purposes only and form no part of the claimed design.

1 Claim, 7 Drawing Sheets



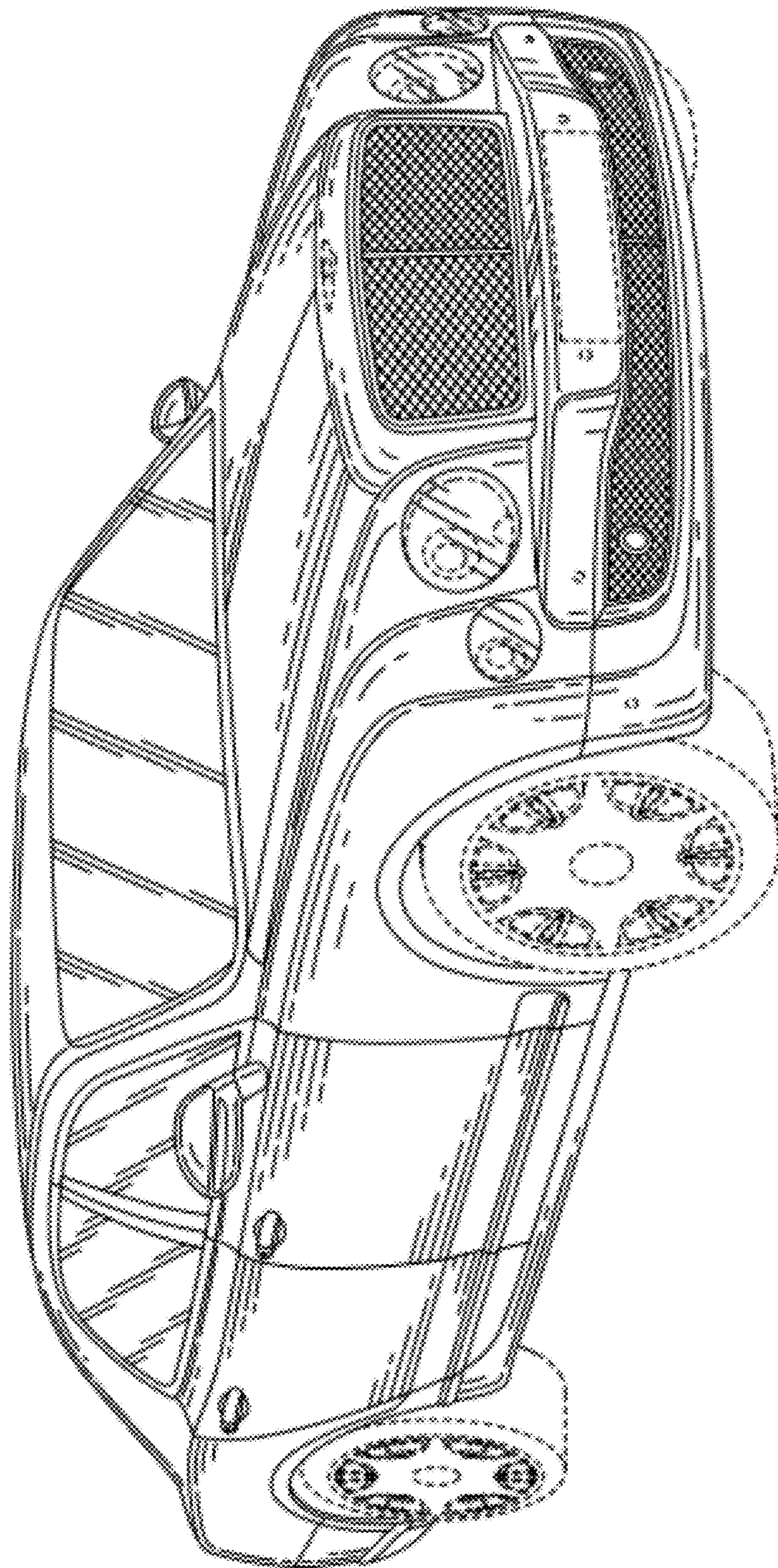


FIG. 1

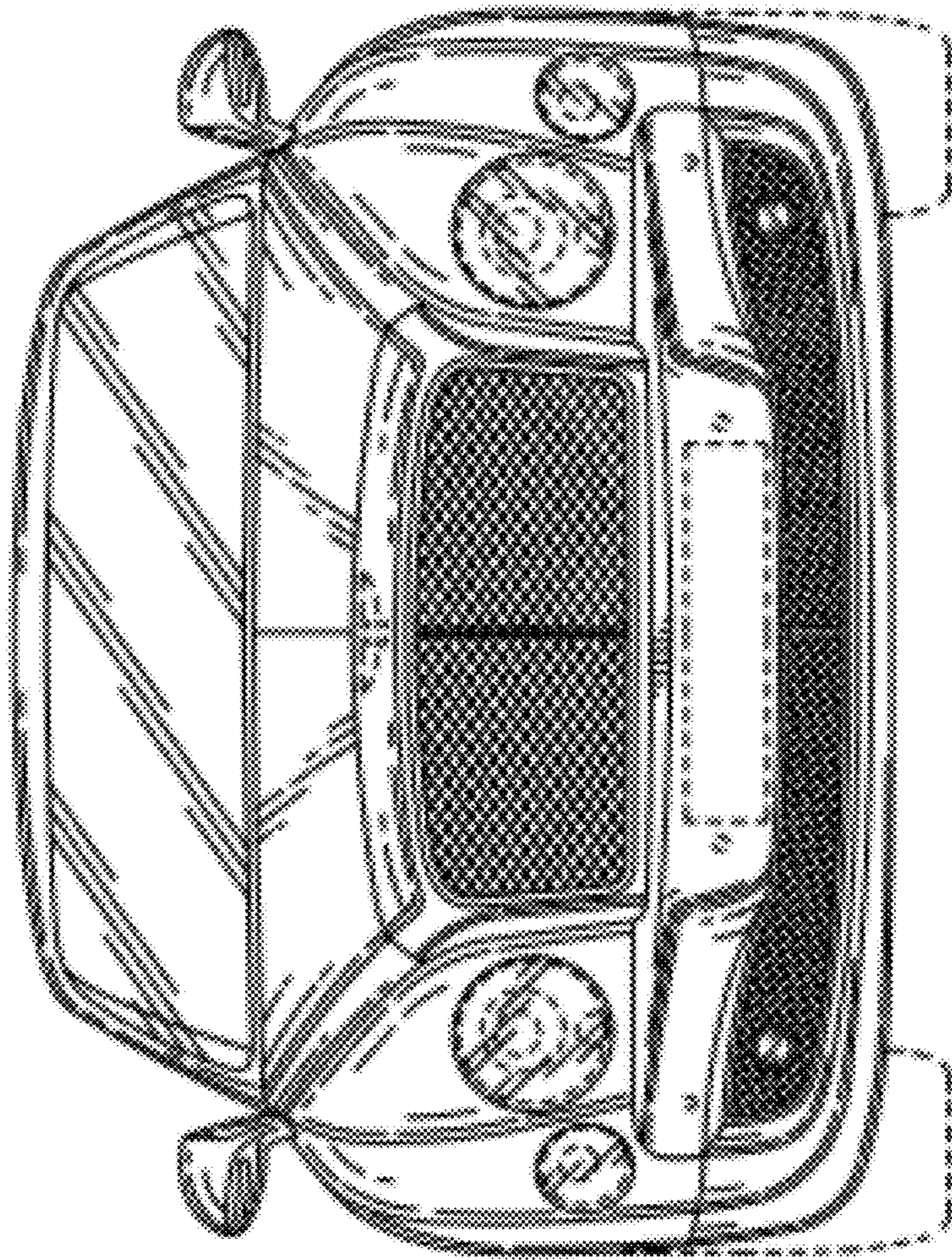


FIG. 2

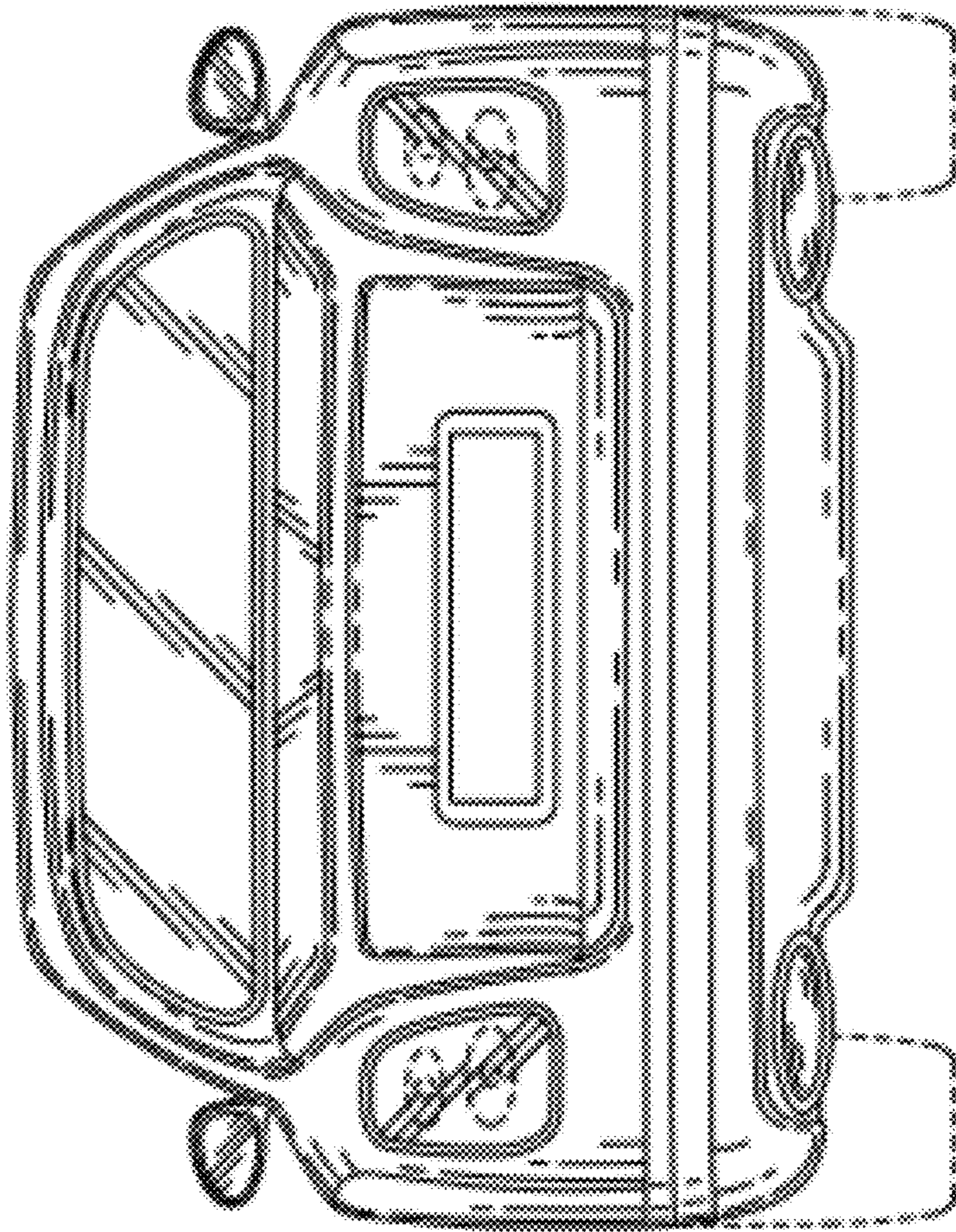


FIG. 3

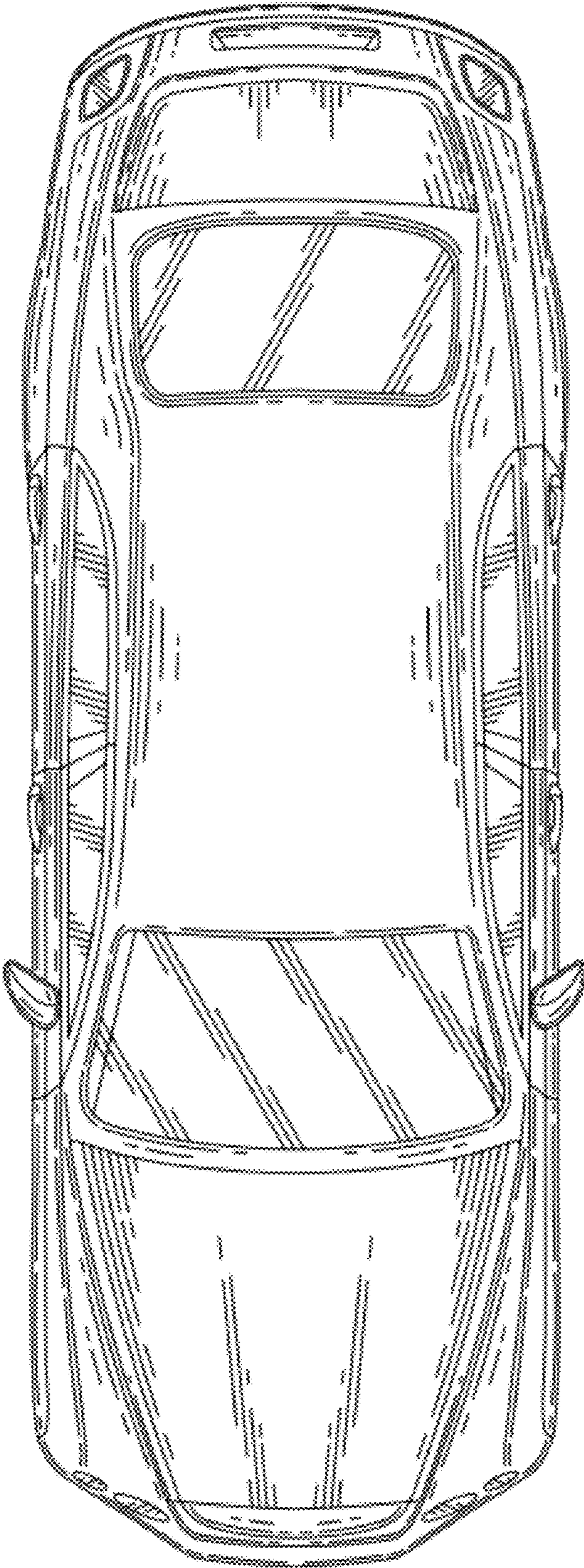


FIG. 4

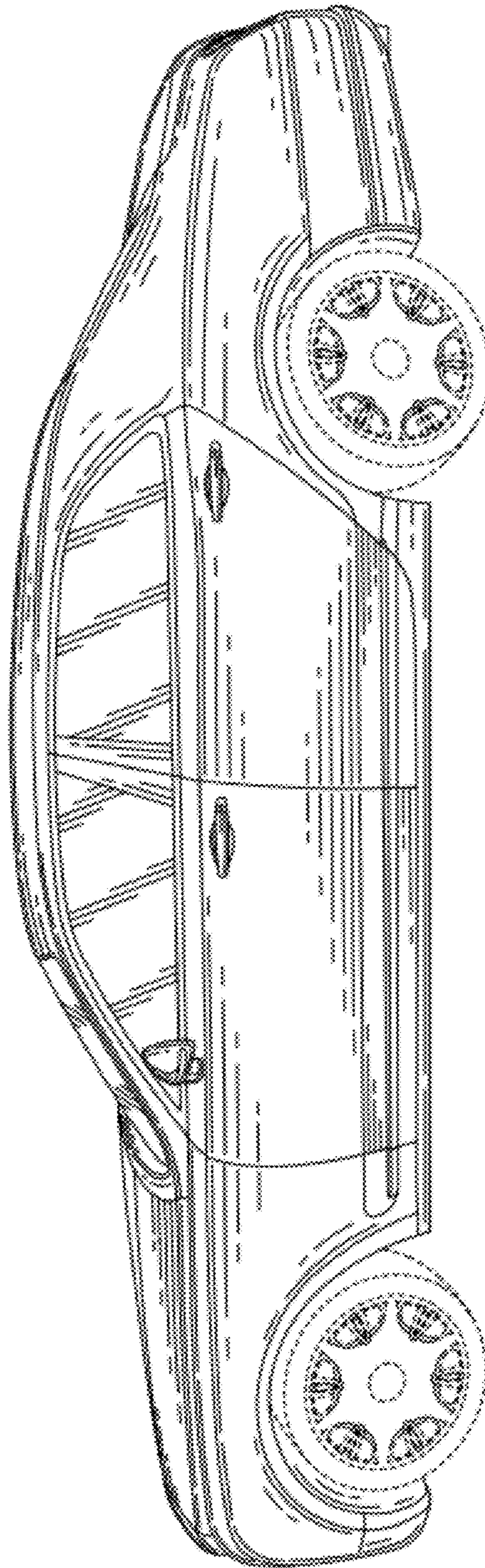


FIG. 5

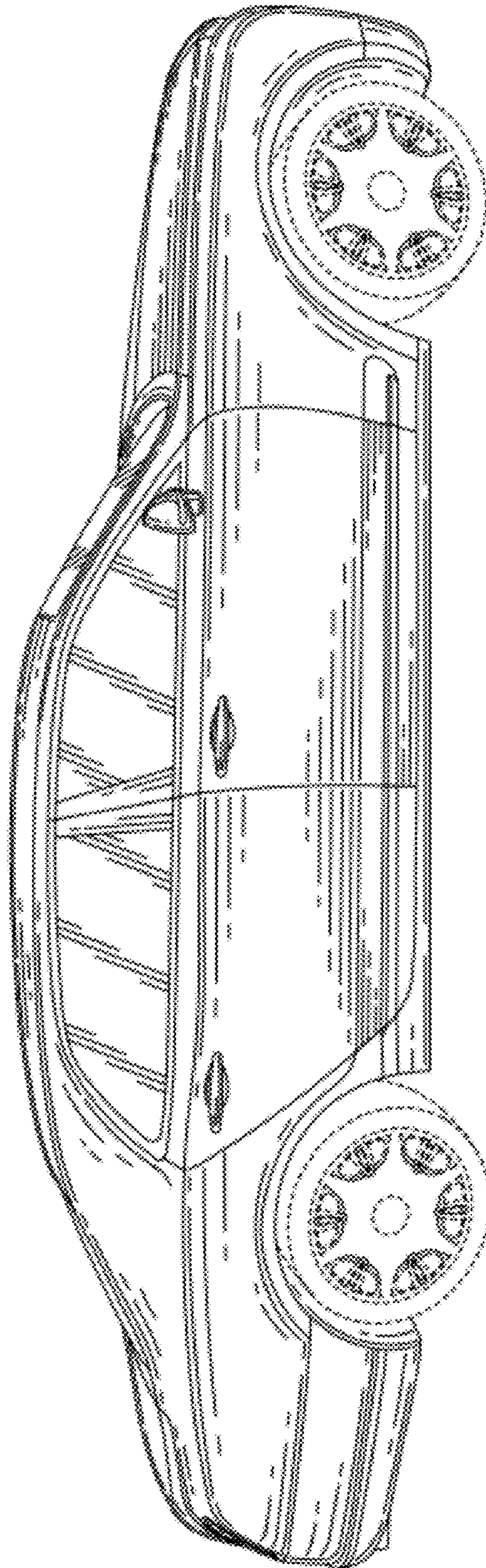


FIG. 6

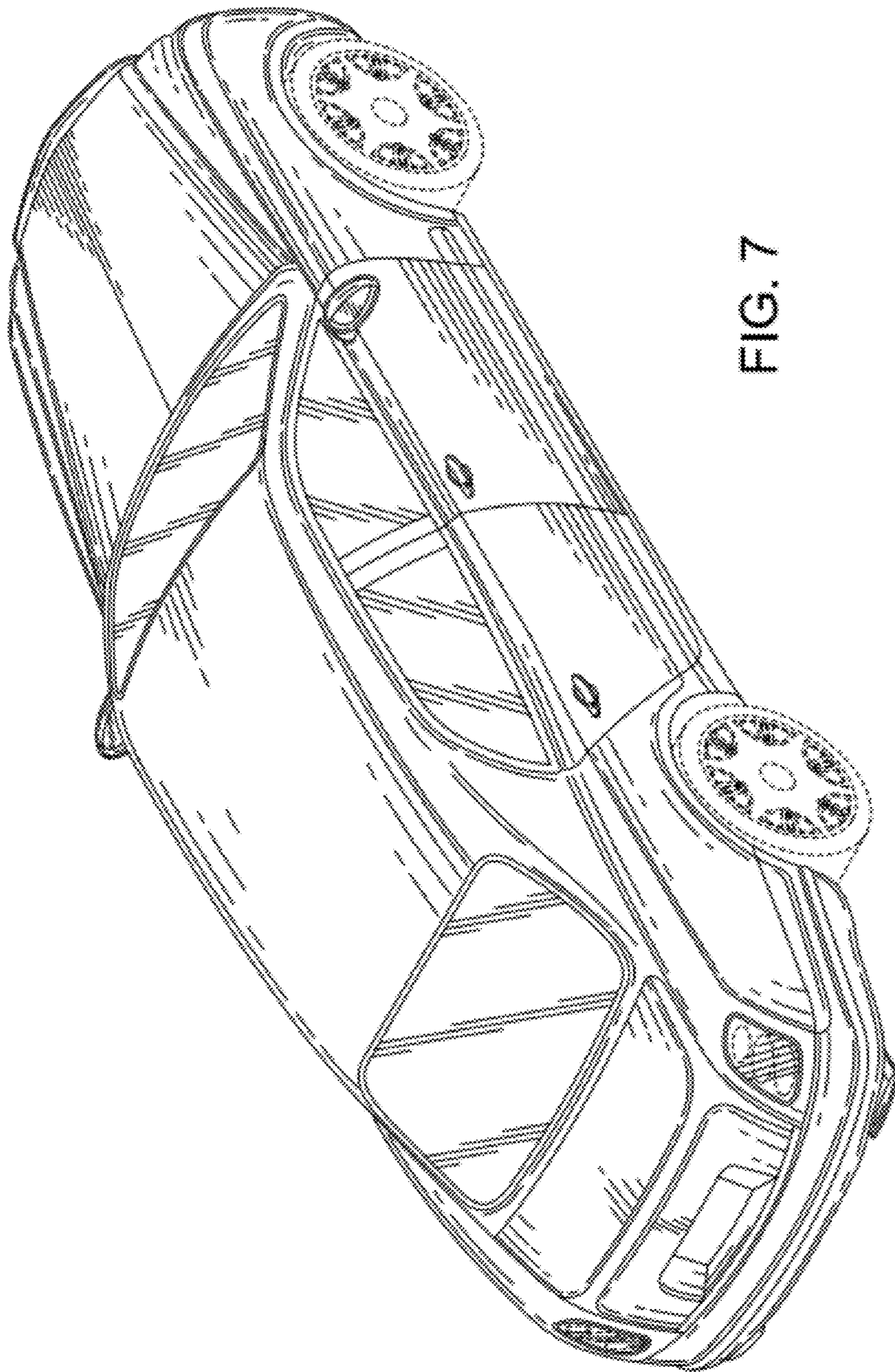


FIG. 7