



US00D658543S

(12) **United States Design Patent**
Stanisci

(10) **Patent No.:** **US D658,543 S**

(45) **Date of Patent:** **** May 1, 2012**

(54) **CABLE CAR CABIN**

(75) Inventor: **Sergio Stanisci**, Kappel (CH)

(73) Assignee: **CWA Constructions SA**, Olten (CH)

(**) Term: **14 Years**

(21) Appl. No.: **29/404,373**

(22) Filed: **Oct. 20, 2011**

(51) **LOC (9) Cl.** **12-04**

(52) **U.S. Cl.** **D12/52**

(58) **Field of Classification Search** D12/36-40,
D12/52, 1, 2, 4; 104/281, 118, 106, 89, 5,
104/287, 94, 289

See application file for complete search history.

(56) **References Cited**

U.S. PATENT DOCUMENTS

D234,418	S	*	3/1975	Forsey	D12/40
4,327,648	A	*	5/1982	Anton	105/150
4,655,144	A	*	4/1987	Frech et al.	105/341
5,437,234	A	*	8/1995	Duer	105/149.1
5,960,718	A	*	10/1999	Mutaguchi et al.	105/149.1
6,035,787	A	*	3/2000	Mutaguchi et al.	105/149.1
D479,153	S	*	9/2003	Riser	D12/37
D570,248	S	*	6/2008	Herrli	D12/52
2002/0007757	A1	*	1/2002	Meindl	104/89

2006/0060107	A1*	3/2006	Schertler	105/148
2011/0239894	A1*	10/2011	Croses	104/112
2011/0262048	A1*	10/2011	Barnsley	382/233

* cited by examiner

Primary Examiner — T. Chase Nelson

Assistant Examiner — Ania Aman

(74) *Attorney, Agent, or Firm* — Hammer & Associates, P.C.

(57) **CLAIM**

The ornamental design for a cable car cabin, as shown and described.

DESCRIPTION

FIG. 1 is a perspective view of the front side of a cable car cabin.

FIG. 2 is a perspective view of the back side of the cable car cabin shown in FIG. 1.

FIG. 3 is a front elevation view of the cable car shown in FIG. 1.

FIG. 4 is a left side elevation view of the cable car shown in FIG. 1.

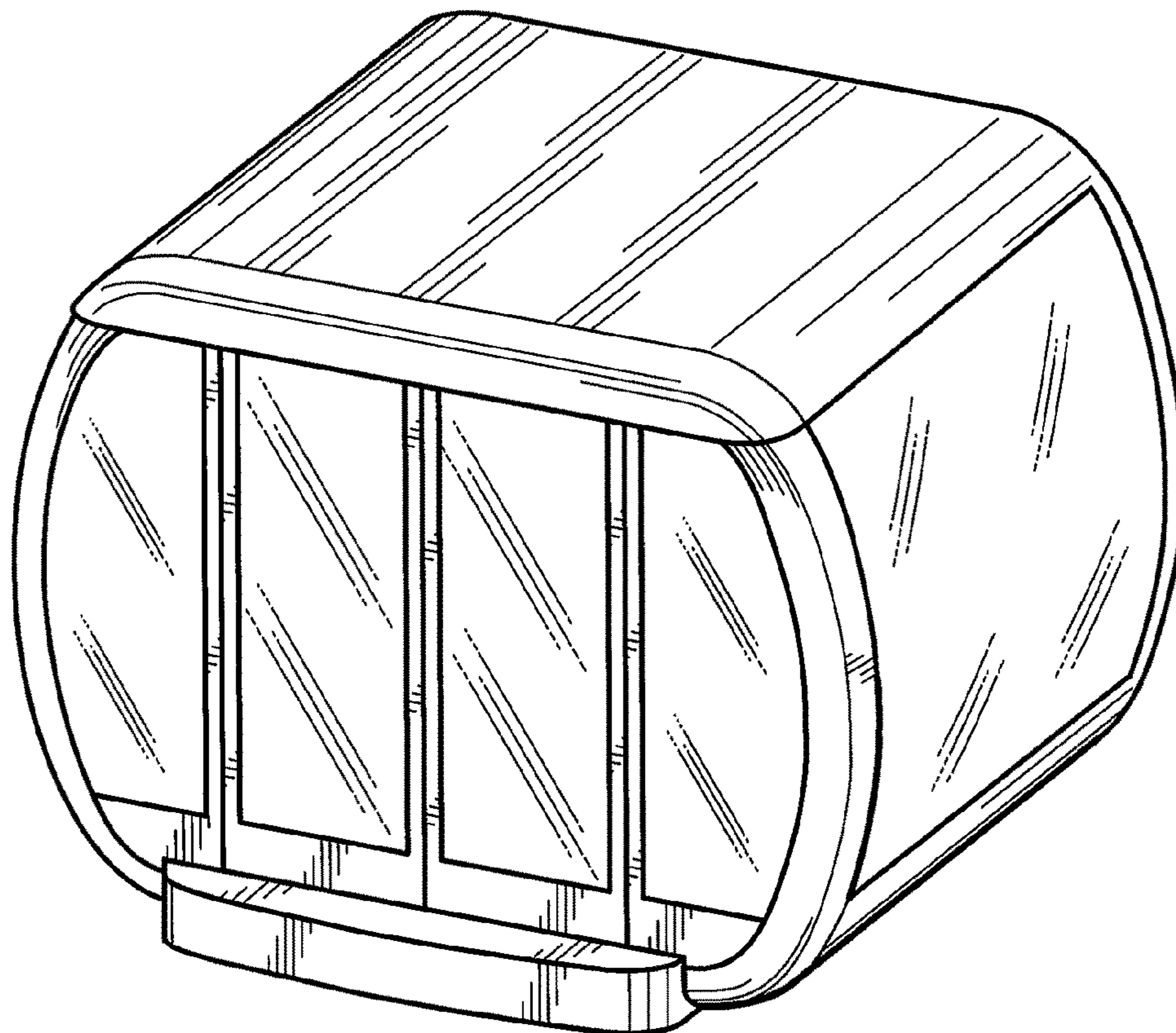
FIG. 5 is a top plan view of the cable car shown in FIG. 1.

FIG. 6 is a rear elevation view of the cable car shown in FIG. 1.

FIG. 7 is a right side elevation view of the cable car shown in FIG. 1; and,

FIG. 8 is a bottom plan view of the cable car shown in FIG. 1.

1 Claim, 3 Drawing Sheets



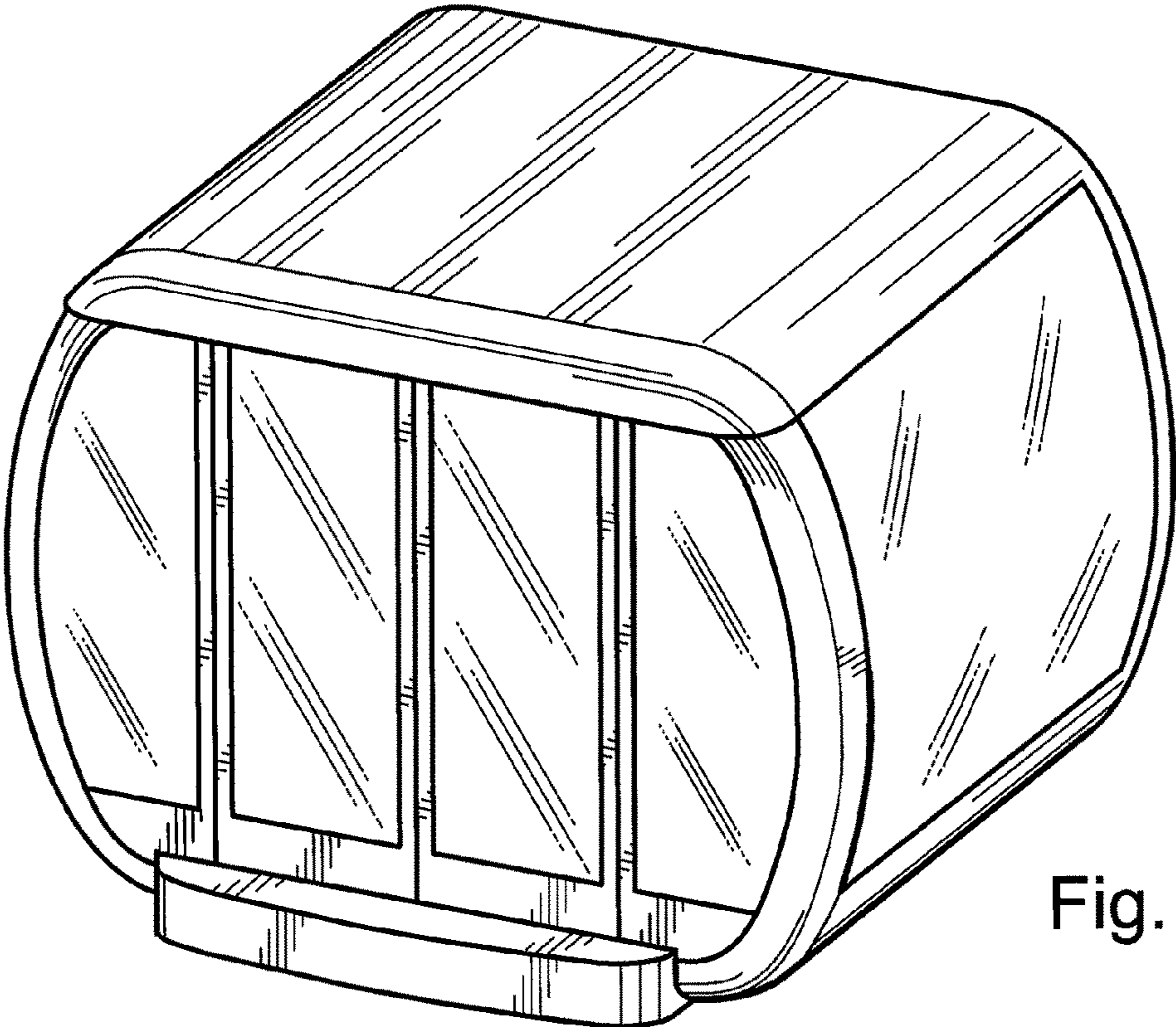


Fig. 1

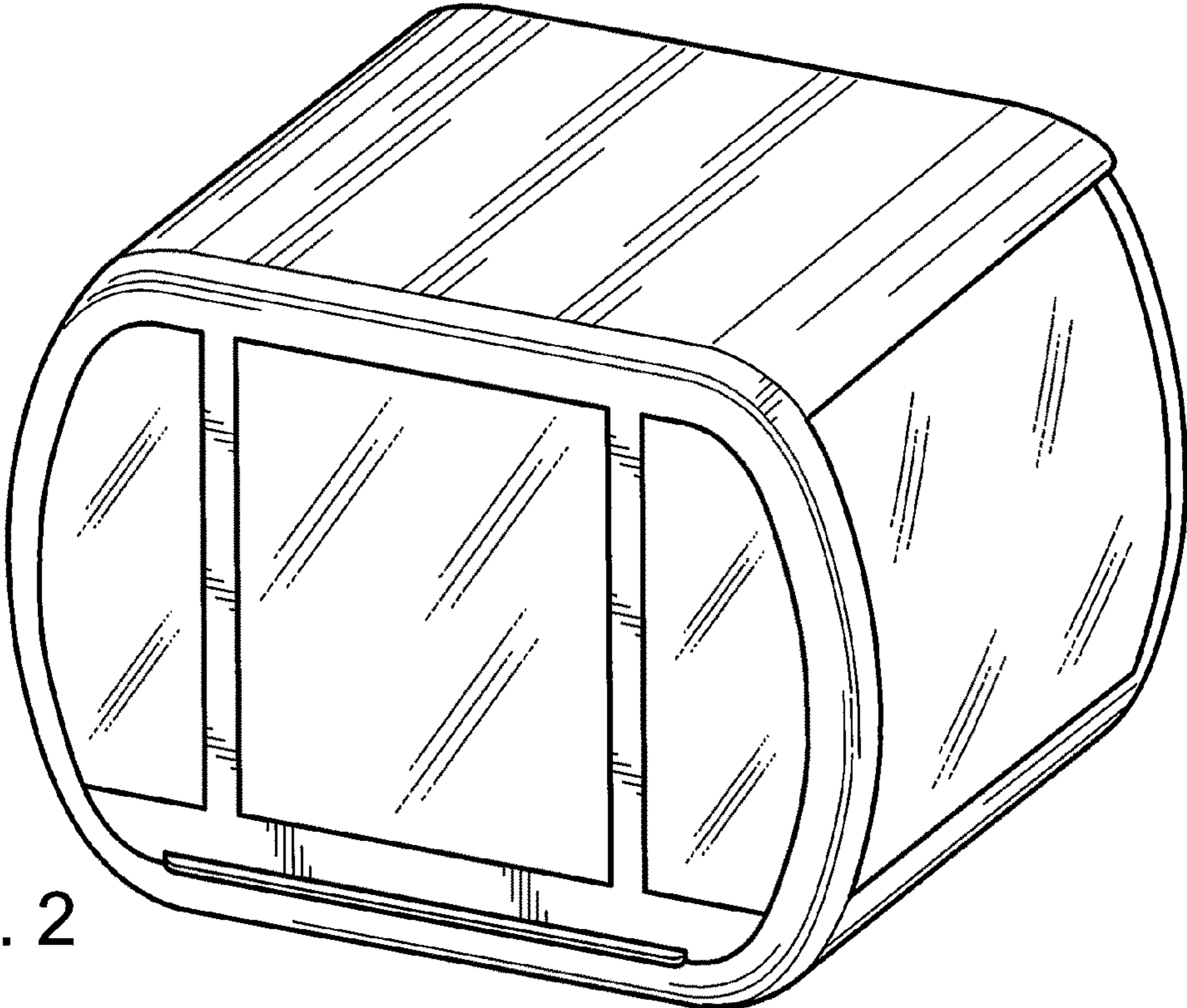


Fig. 2

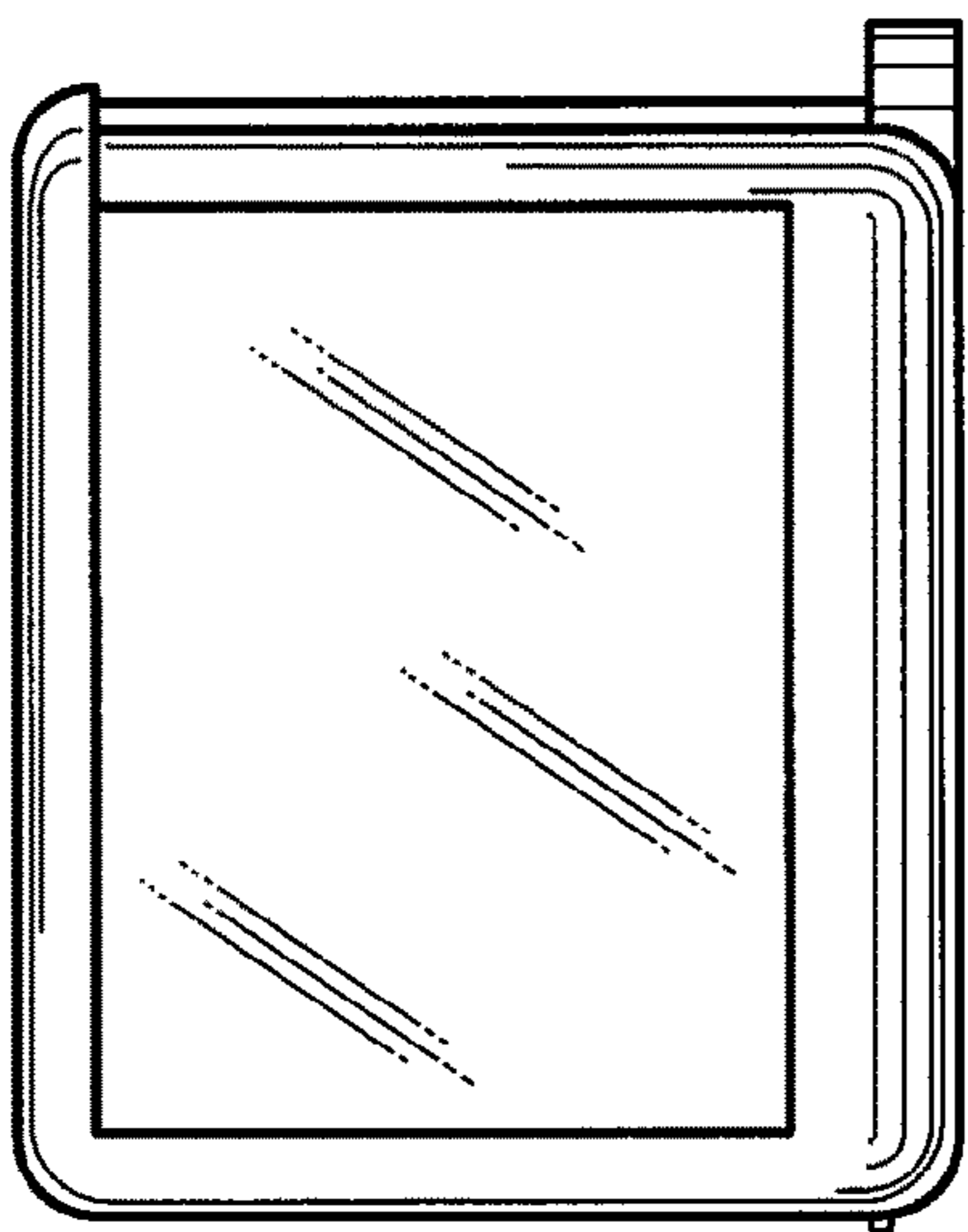


Fig. 4

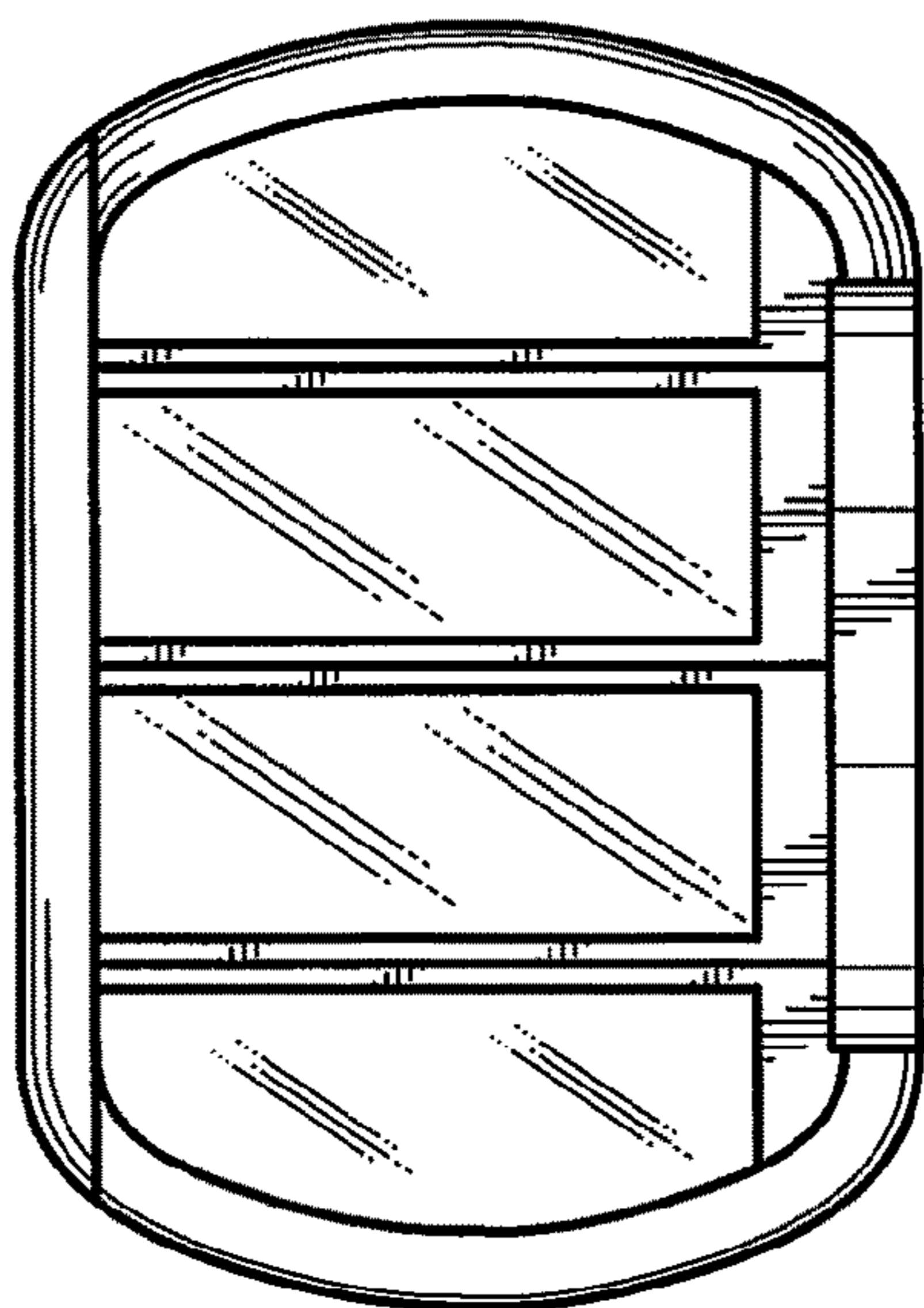


Fig. 3

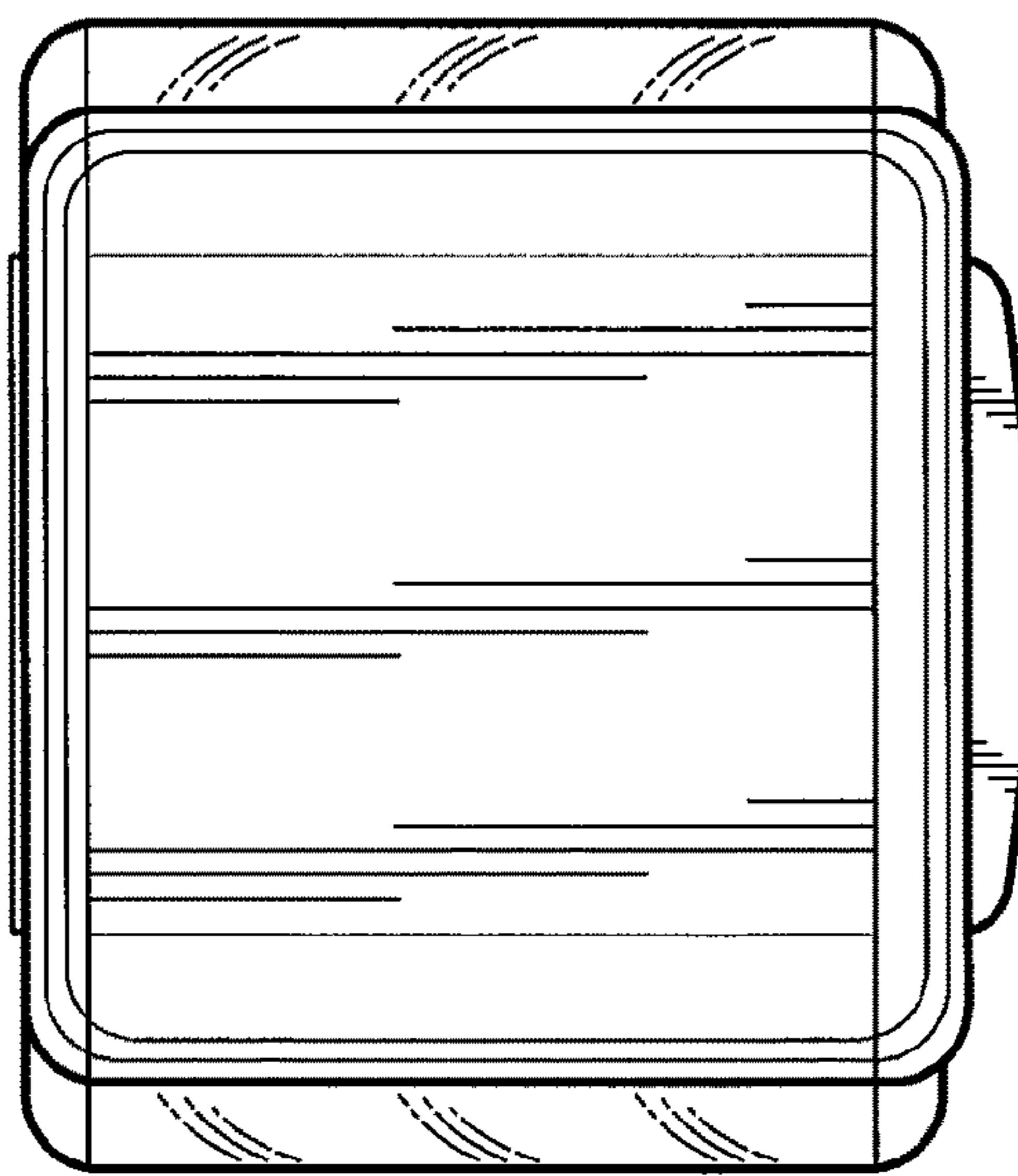


Fig. 5

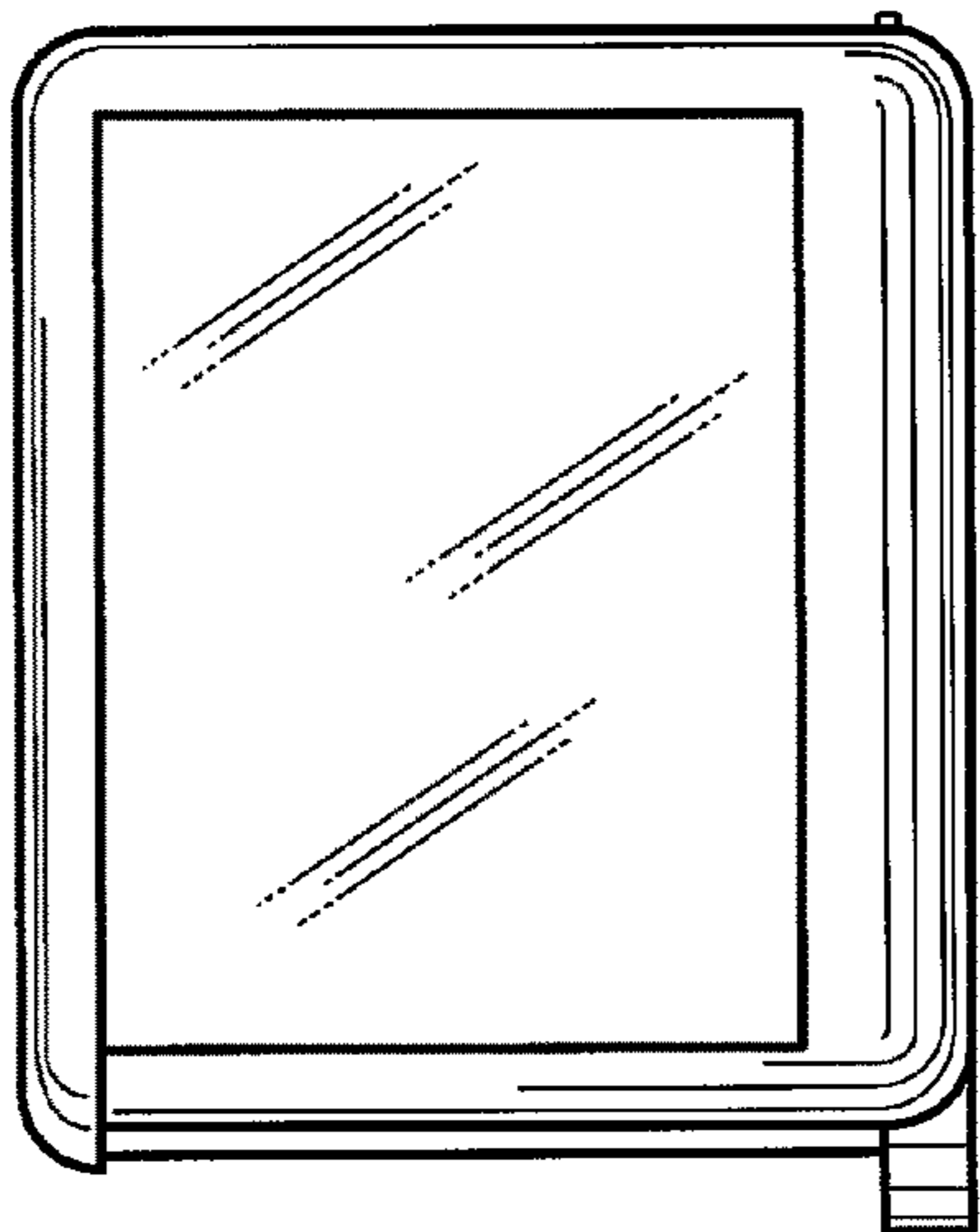


Fig. 7

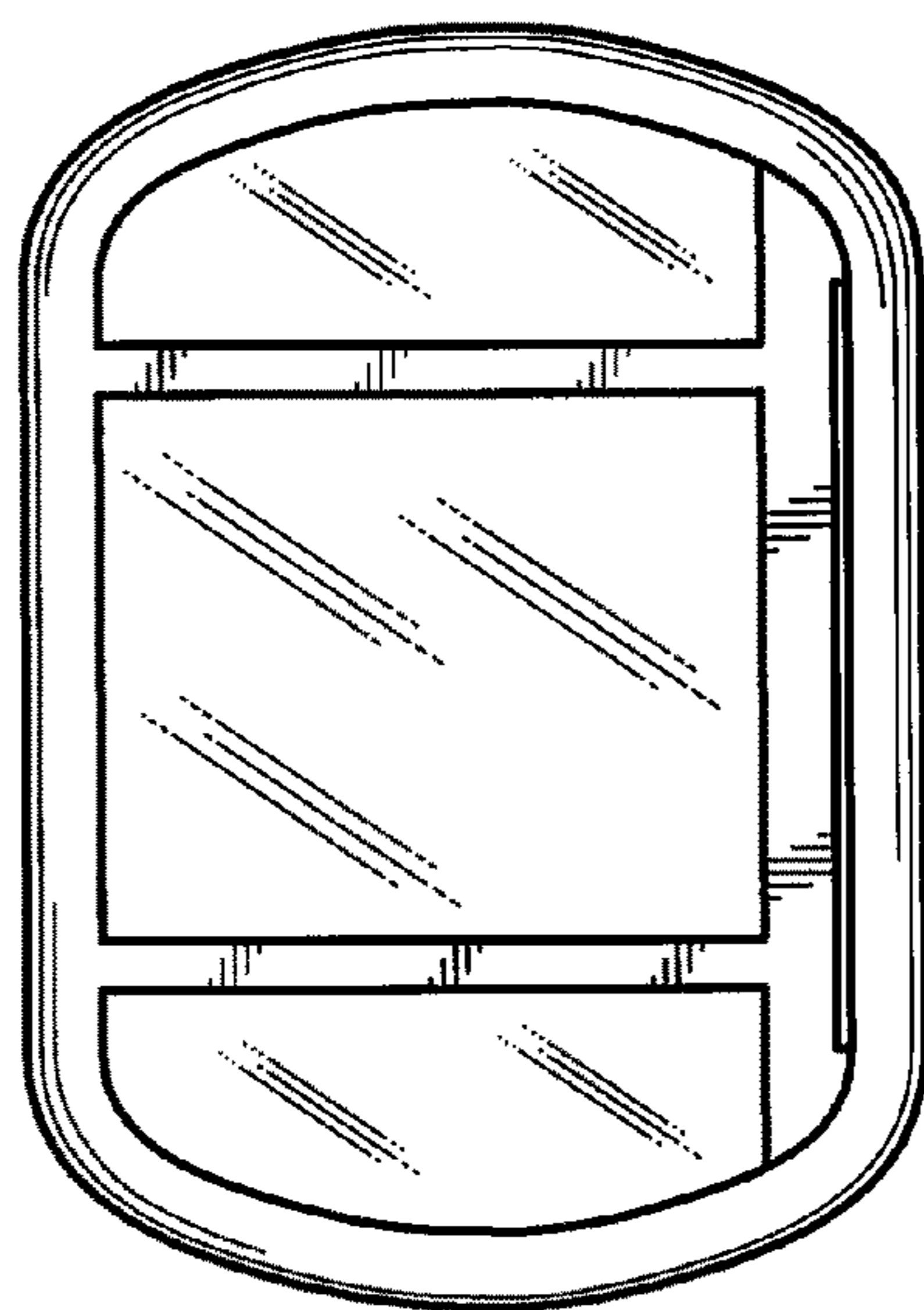


Fig. 6

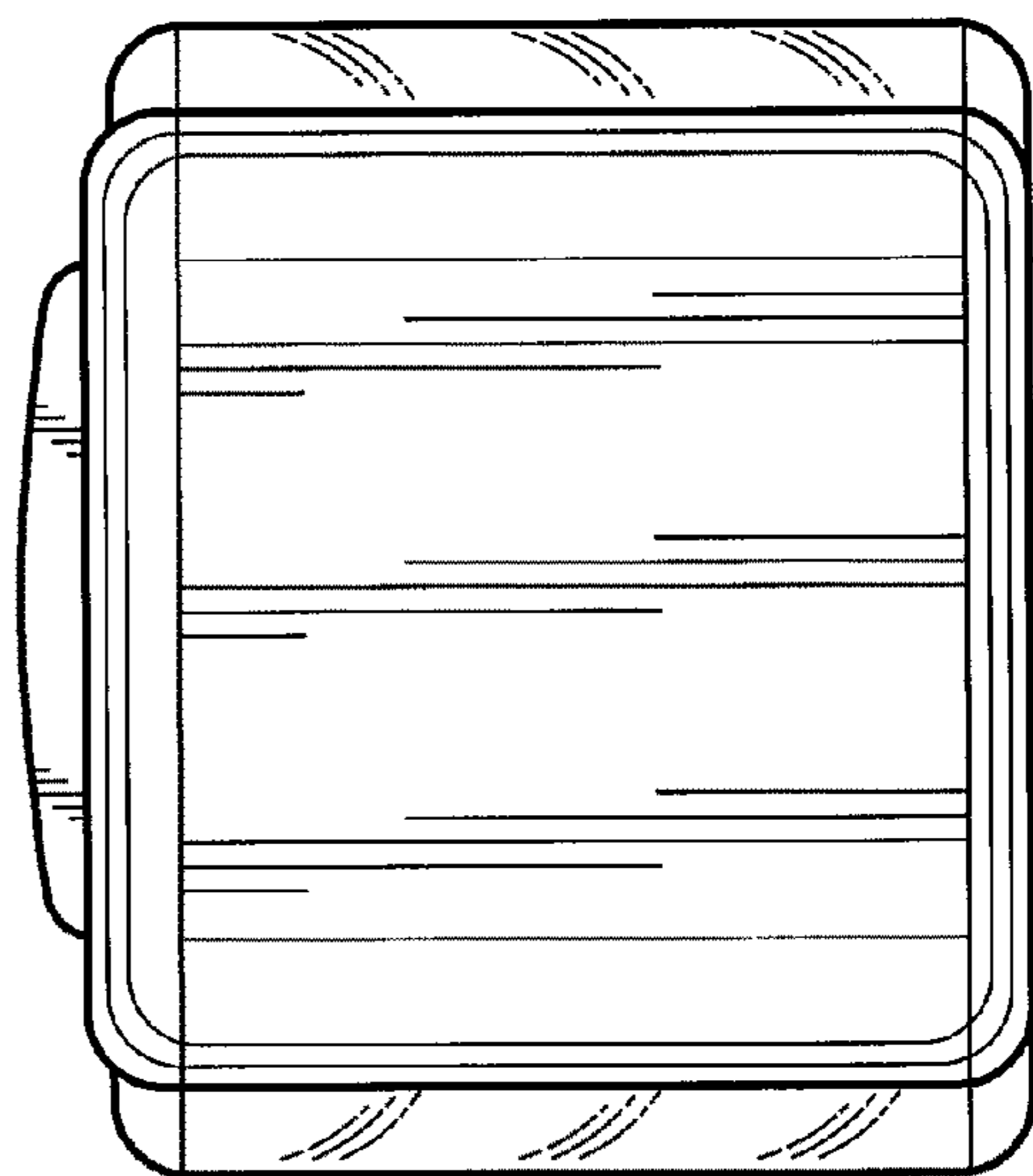


Fig. 8