



US00D658540S

(12) **United States Design Patent**
Korzeniowski

(10) **Patent No.:** **US D658,540 S**

(45) **Date of Patent:** **** May 1, 2012**

(54) **CONTAINER**

(76) **Inventor:** **Tomasz Korzeniowski, Kitchener (CA)**

(**) **Term:** **14 Years**

(21) **Appl. No.:** **29/388,001**

(22) **Filed:** **Mar. 22, 2011**

(51) **LOC (9) Cl.** **11-02**

(52) **U.S. Cl.** **D11/153**

(58) **Field of Classification Search** D6/403-405,
D6/556-558; D8/1; D11/143-156, 164;
D19/77, 80, 81; D25/100; D26/9-11, 16;
D34/1, 2, 4-6; D99/5, 19; 47/32.4, 32.5,
47/32.7, 33, 41.01, 41.1, 41.11-41.15, 44-47,
47/65, 65.5, 65.9, 66.1, 66.2, 66.6, 66.7,
47/67-71

See application file for complete search history.

(56) **References Cited**

U.S. PATENT DOCUMENTS

D176,161 S *	11/1955	Shelby	D11/144
D264,695 S *	6/1982	Mackes	D11/145
D356,754 S *	3/1995	Schmidt et al.	D11/152
D382,511 S *	8/1997	Azarian	D11/143
D385,213 S *	10/1997	McAllister	D11/156
D397,280 S *	8/1998	Schorr	D8/1
D588,496 S *	3/2009	White	D11/156

D623,085 S *	9/2010	Rackley et al.	D11/144
D634,240 S *	3/2011	Junkeer	D11/155
D642,957 S *	8/2011	Eckert	D11/153

* cited by examiner

Primary Examiner — Garth Rademaker

(57) **CLAIM**

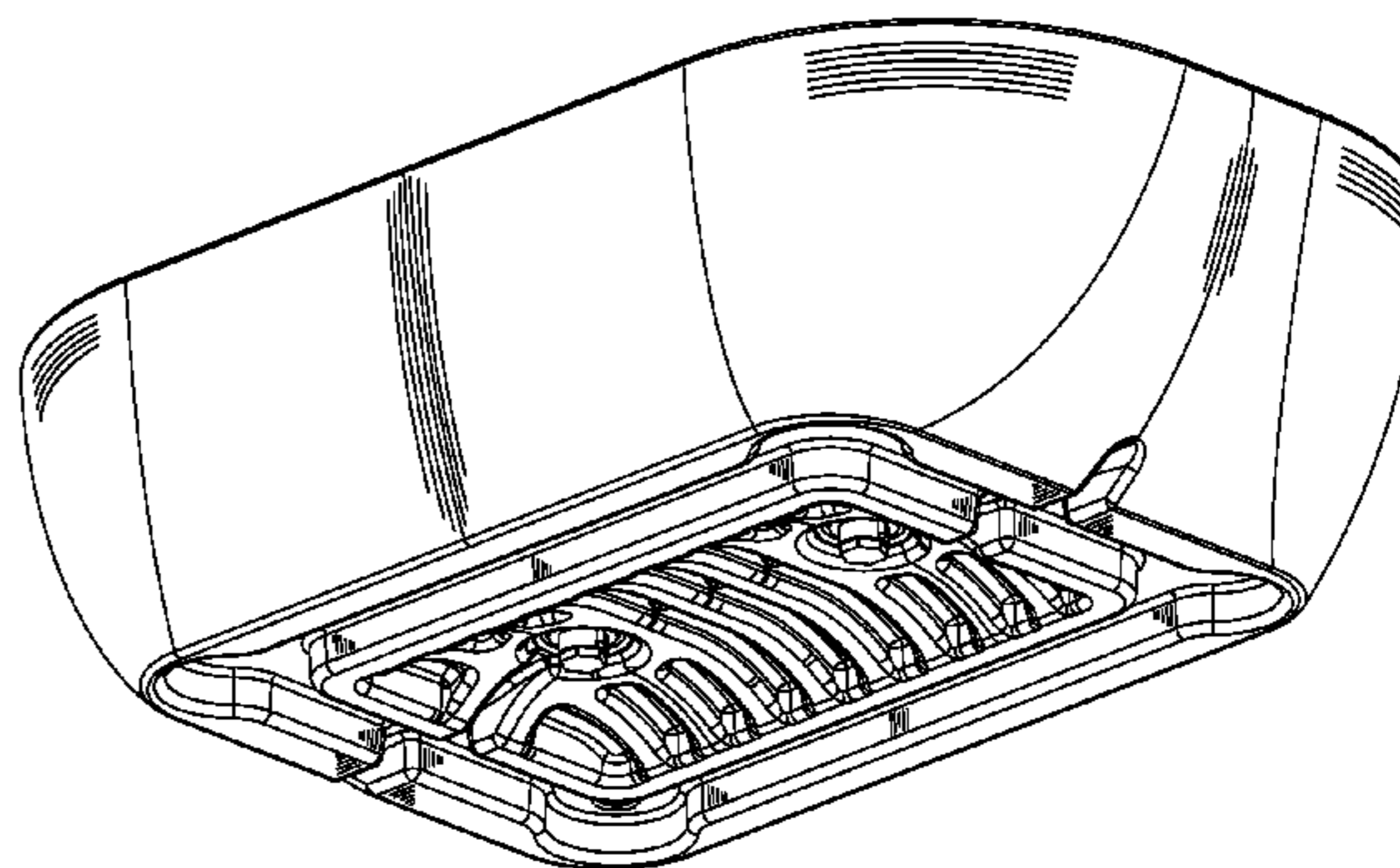
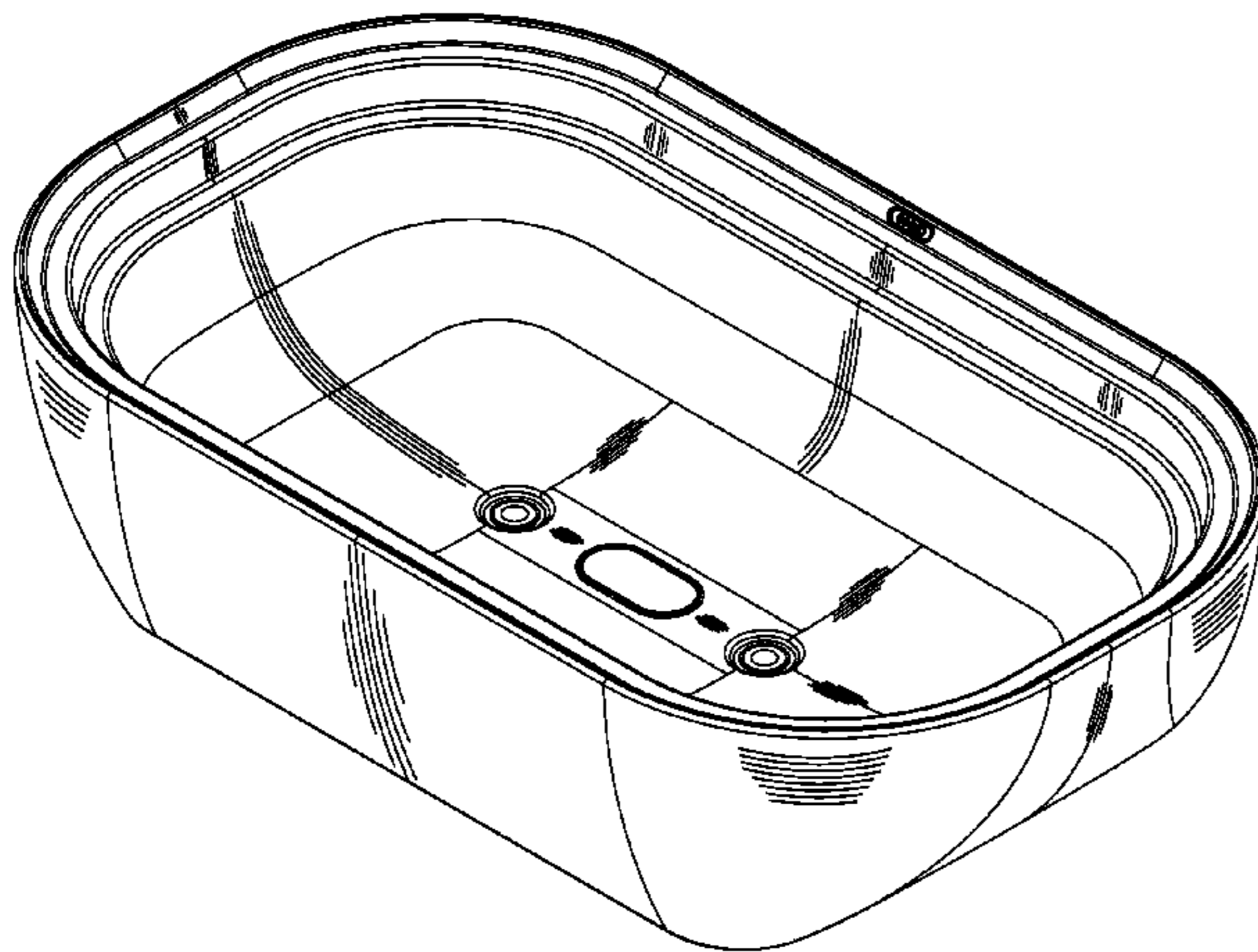
The ornamental design for a container, as shown and described.

DESCRIPTION

FIG. 1 is a top perspective view of a container, showing my new design;
 FIG. 2 is a bottom perspective view thereof;
 FIG. 3 is a bottom, exploded perspective view thereof;
 FIG. 4 is a front elevation view thereof; the rear elevation view being a mirror image thereof;
 FIG. 5 is a right side elevation view thereof; the left side elevation view being a mirror image thereof;
 FIG. 6 is a top plan view thereof;
 FIG. 7 is a bottom plan view thereof;
 FIG. 8 is a cross section view thereof, taken on line 8-8 of FIG. 6; and,
 FIG. 9 is a cross section view thereof, taken on line 9-9 of FIG. 6.

The broken lines depict environmental subject matter only and form no part of the claimed design.

1 Claim, 9 Drawing Sheets



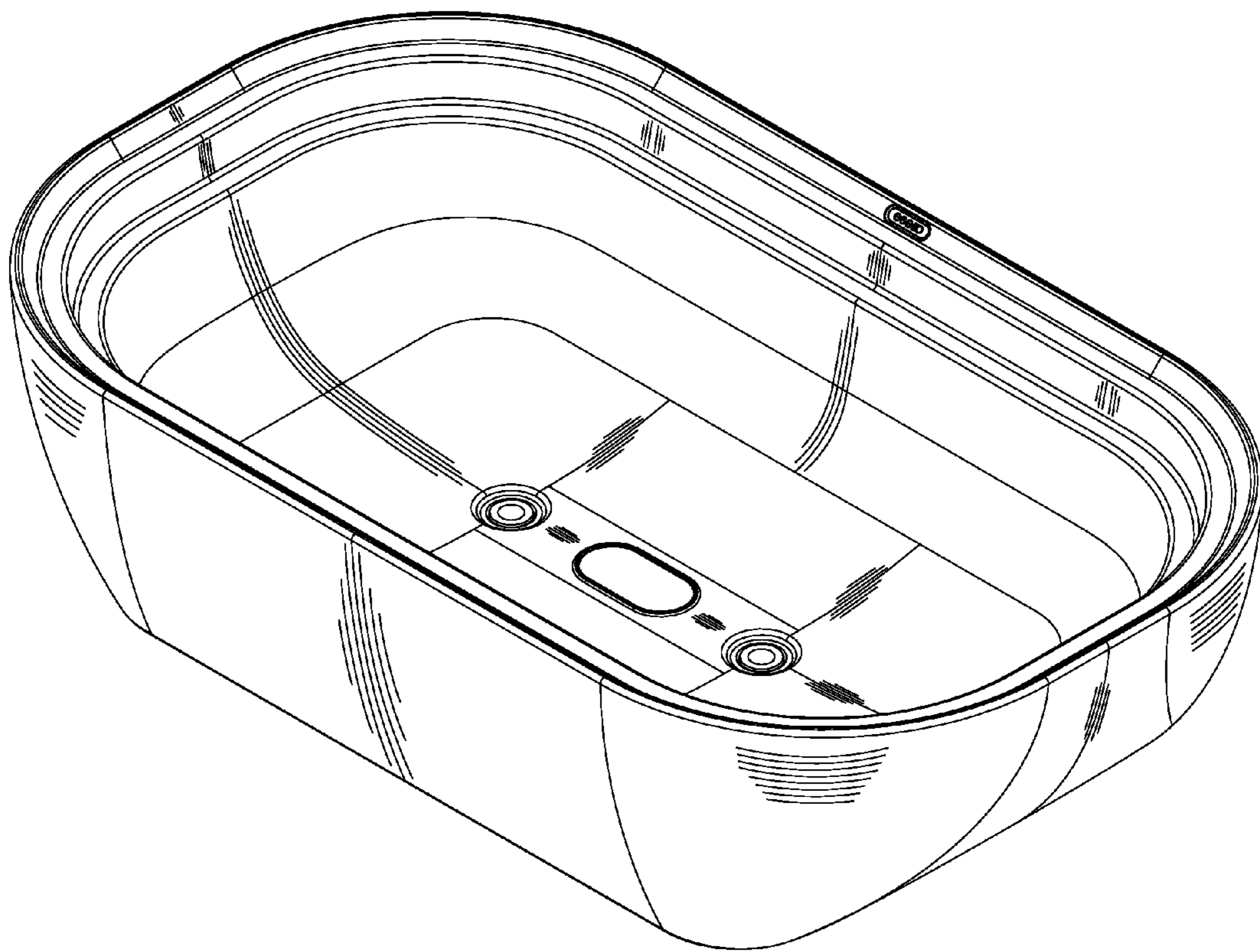


FIG. 1

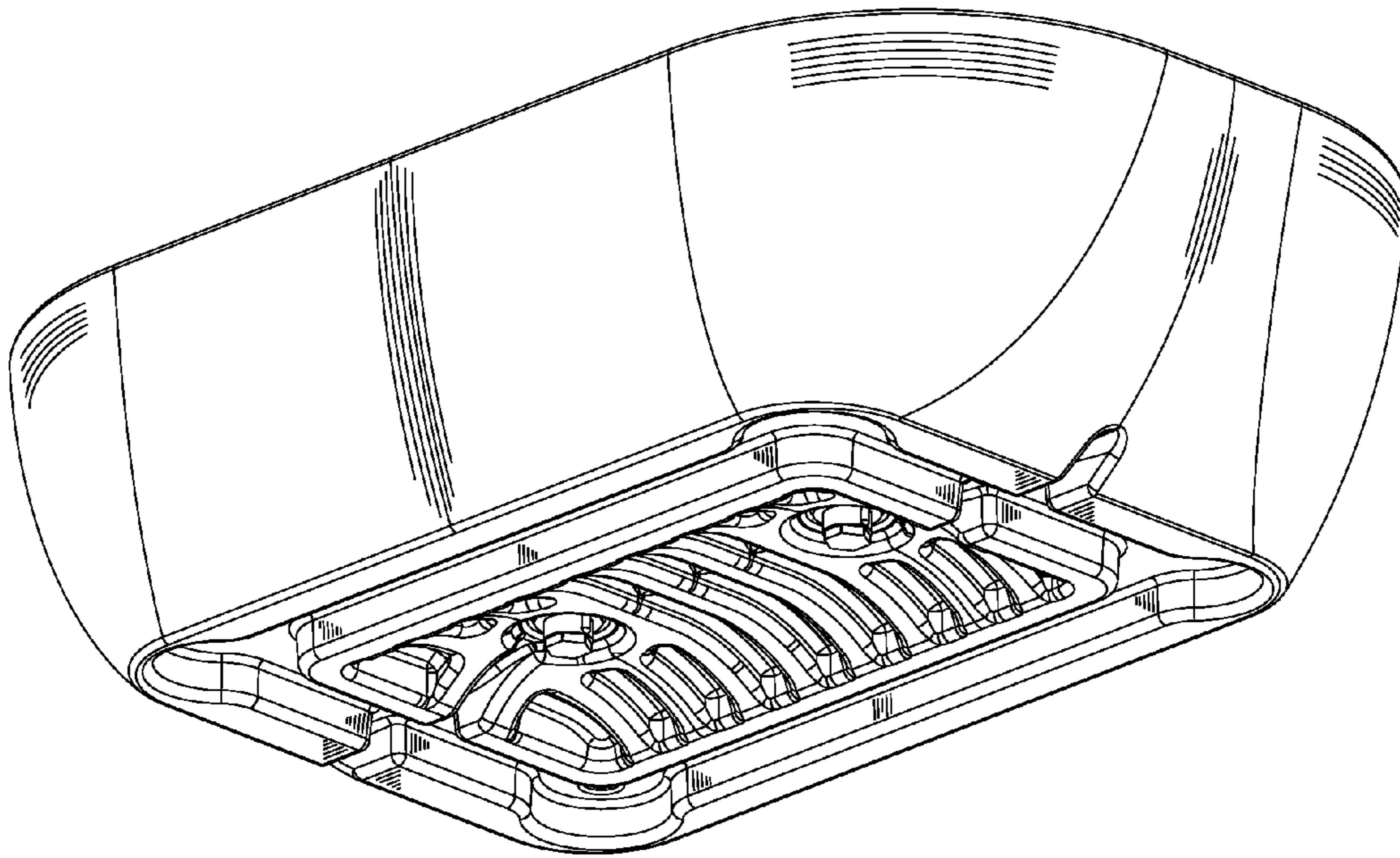


FIG. 2

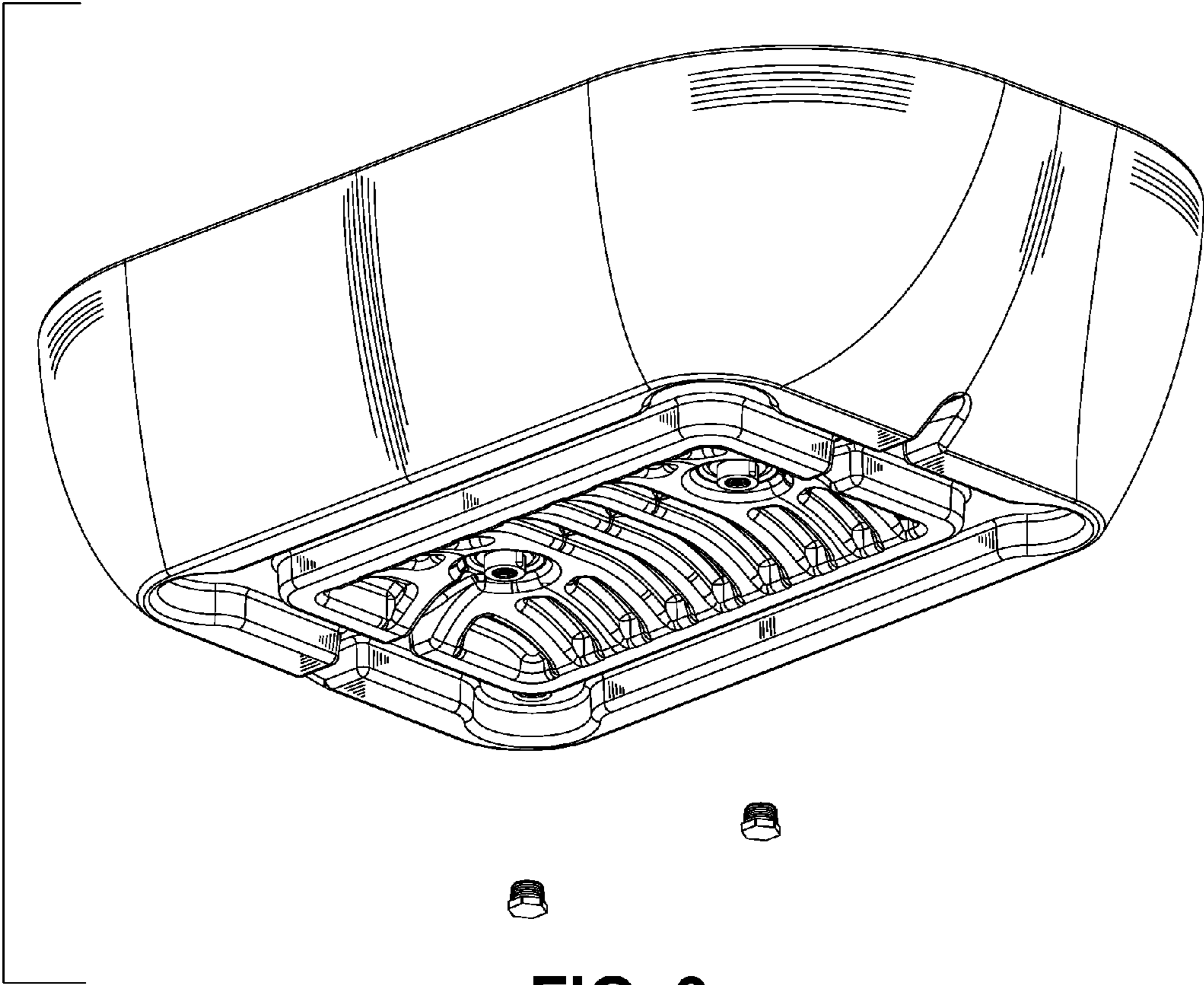


FIG. 3

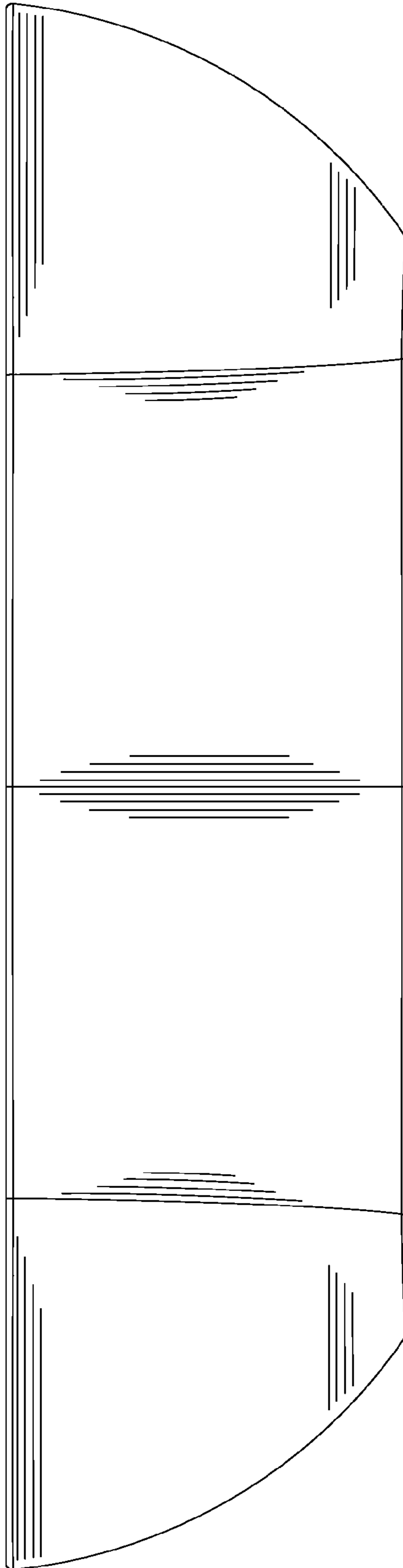


FIG. 4

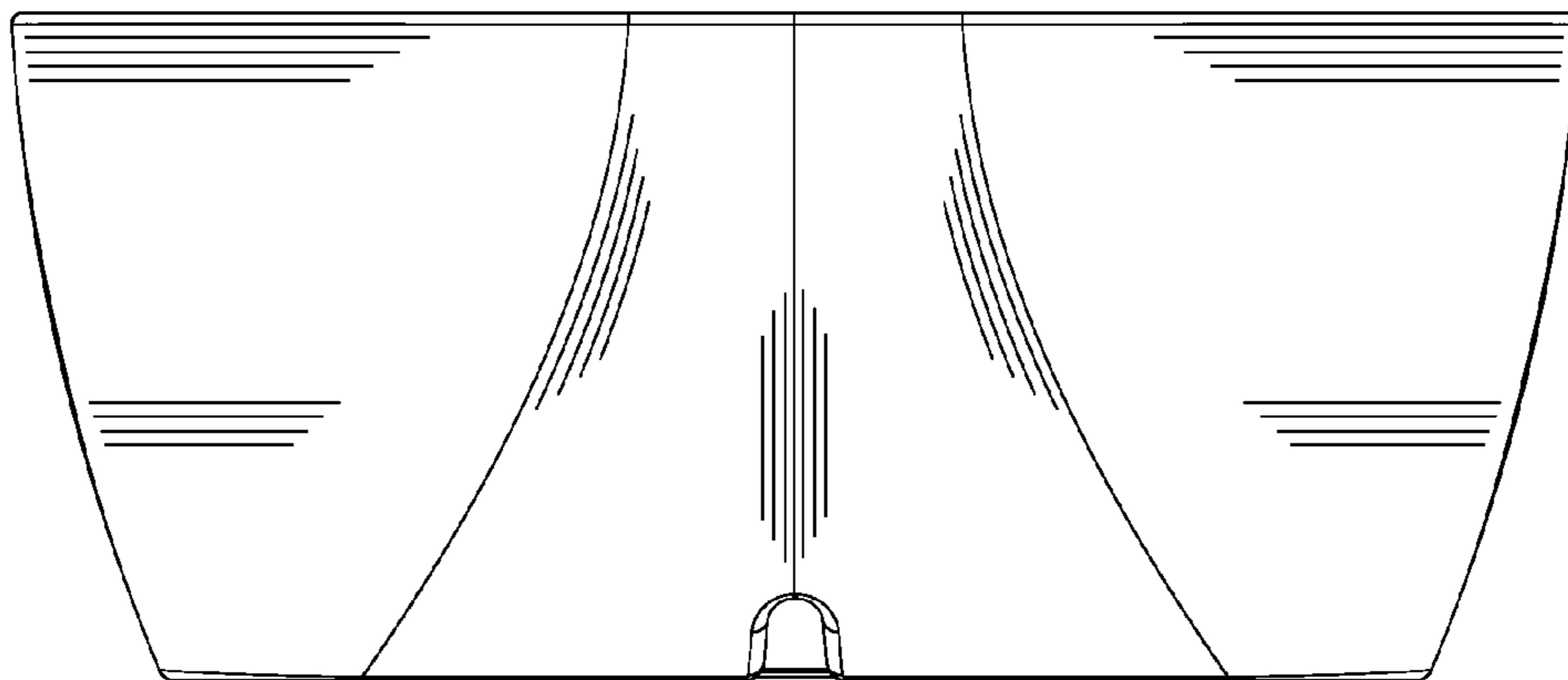


FIG. 5

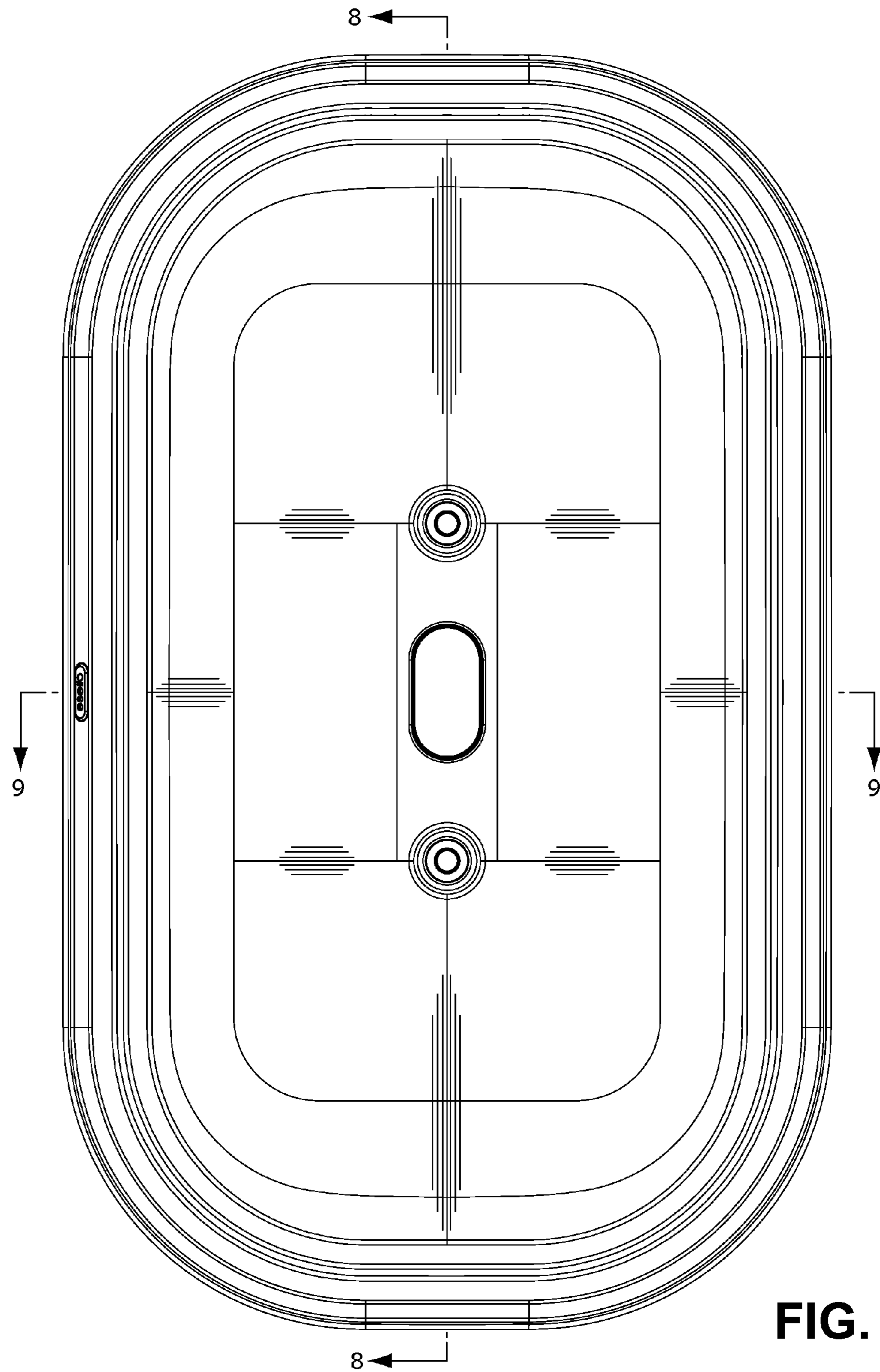


FIG. 6

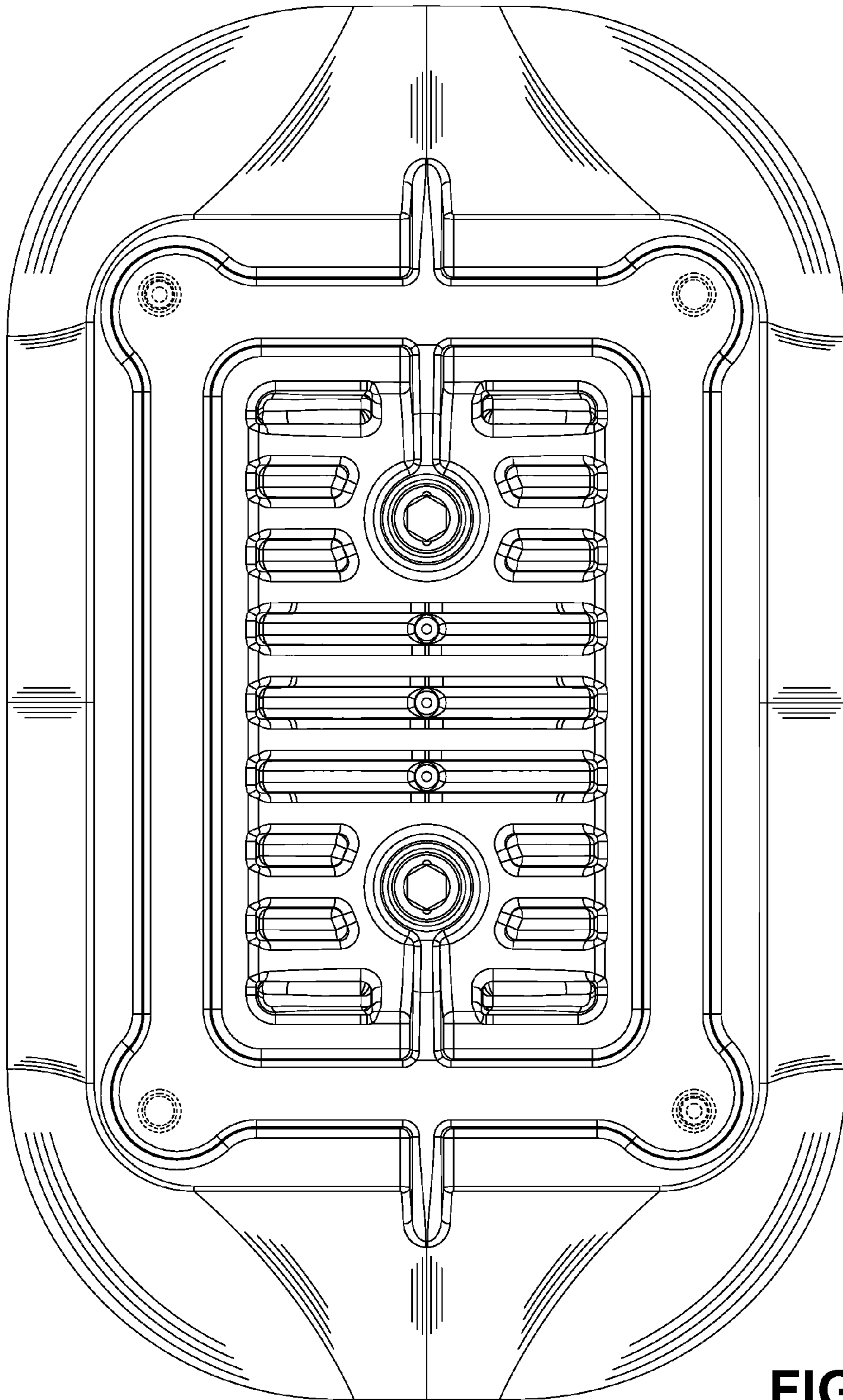


FIG. 7

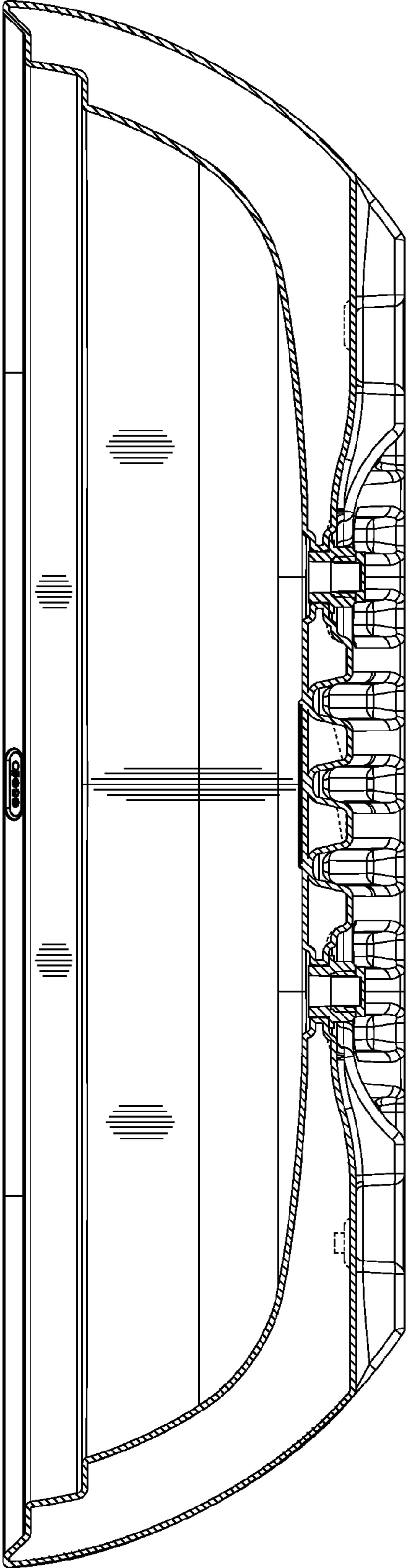


FIG. 8

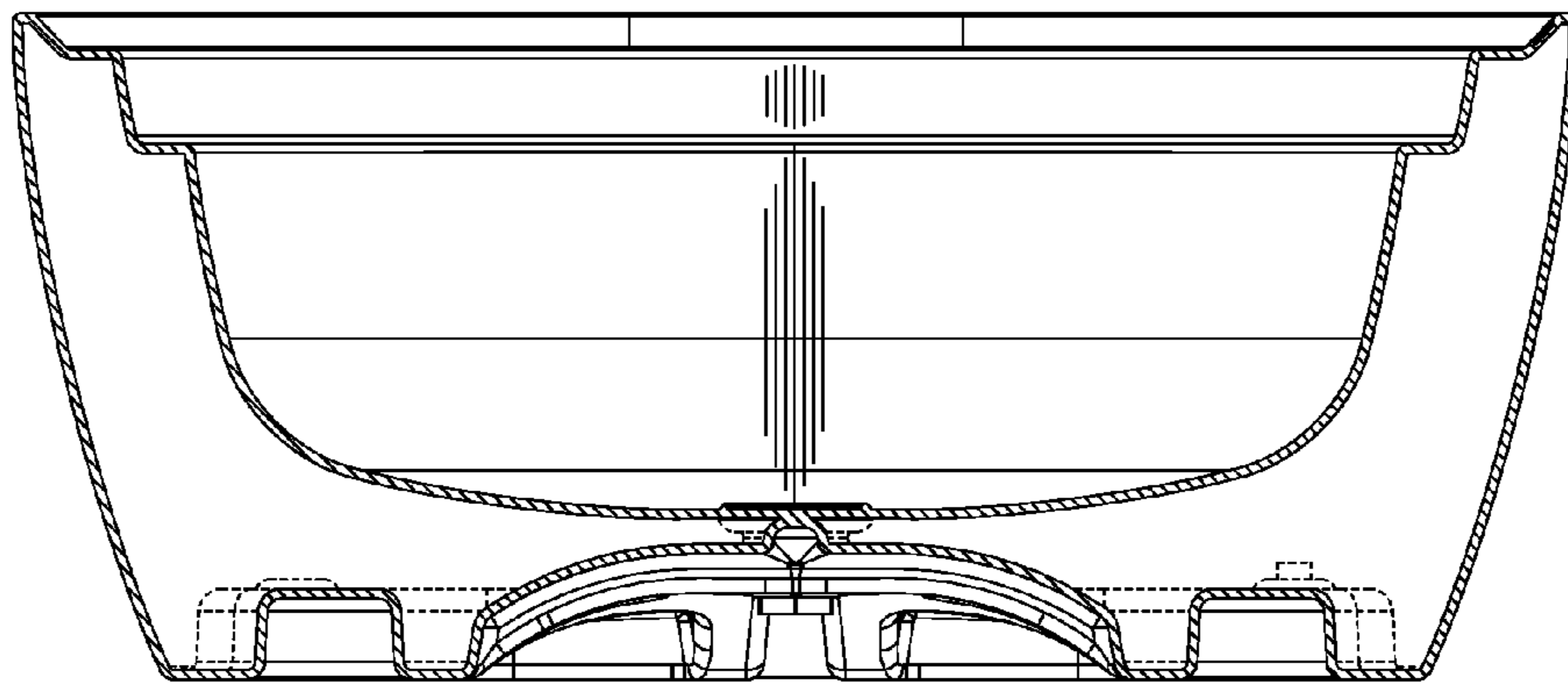


FIG. 9