



US00D658538S

(12) **United States Design Patent**  
**Korzeniowski**

(10) **Patent No.:** **US D658,538 S**

(45) **Date of Patent:** **\*\* May 1, 2012**

(54) **ELEVATED GARDEN UNIT**

(76) Inventor: **Tomasz Korzeniowski**, Kitchener (CA)

(\*\*) Term: **14 Years**

(21) Appl. No.: **29/387,937**

(22) Filed: **Mar. 21, 2011**

(51) **LOC (9) Cl.** ..... **11-02**

(52) **U.S. Cl.** ..... **D11/143**

(58) **Field of Classification Search** ..... D6/403-405,  
D6/556-558; D8/1; D11/143-156, 164;  
D19/77, 80, 81; D25/100; D26/9-11, 16;  
D34/1, 2, 4-6; D99/5, 19; 47/32.4, 32.5,  
47/32.7, 33, 41.01, 41.1, 41.11-41.15, 44-47,  
47/65, 65.5, 65.9, 66.1, 66.2, 66.6, 66.7,  
47/67-71

See application file for complete search history.

(56) **References Cited**

**U.S. PATENT DOCUMENTS**

D176,161 S *	11/1955	Shelby	.....	D11/144
D264,695 S *	6/1982	Mackes	.....	D11/145
D356,754 S *	3/1995	Schmidt et al.	.....	D11/152
D382,511 S *	8/1997	Azarian	.....	D11/143
D384,908 S *	10/1997	Tuttle	.....	D11/155
D385,213 S *	10/1997	McAllister	.....	D11/156
D397,280 S *	8/1998	Schorr	.....	D8/1
D588,496 S *	3/2009	White	.....	D11/156
D623,085 S *	9/2010	Rackley et al.	.....	D11/144

D634,240 S *	3/2011	Junkeer	.....	D11/155
D638,744 S *	5/2011	Phillips et al.	.....	D11/155
D642,957 S *	8/2011	Eckert	.....	D11/153

\* cited by examiner

*Primary Examiner* — Garth Rademaker

(57) **CLAIM**

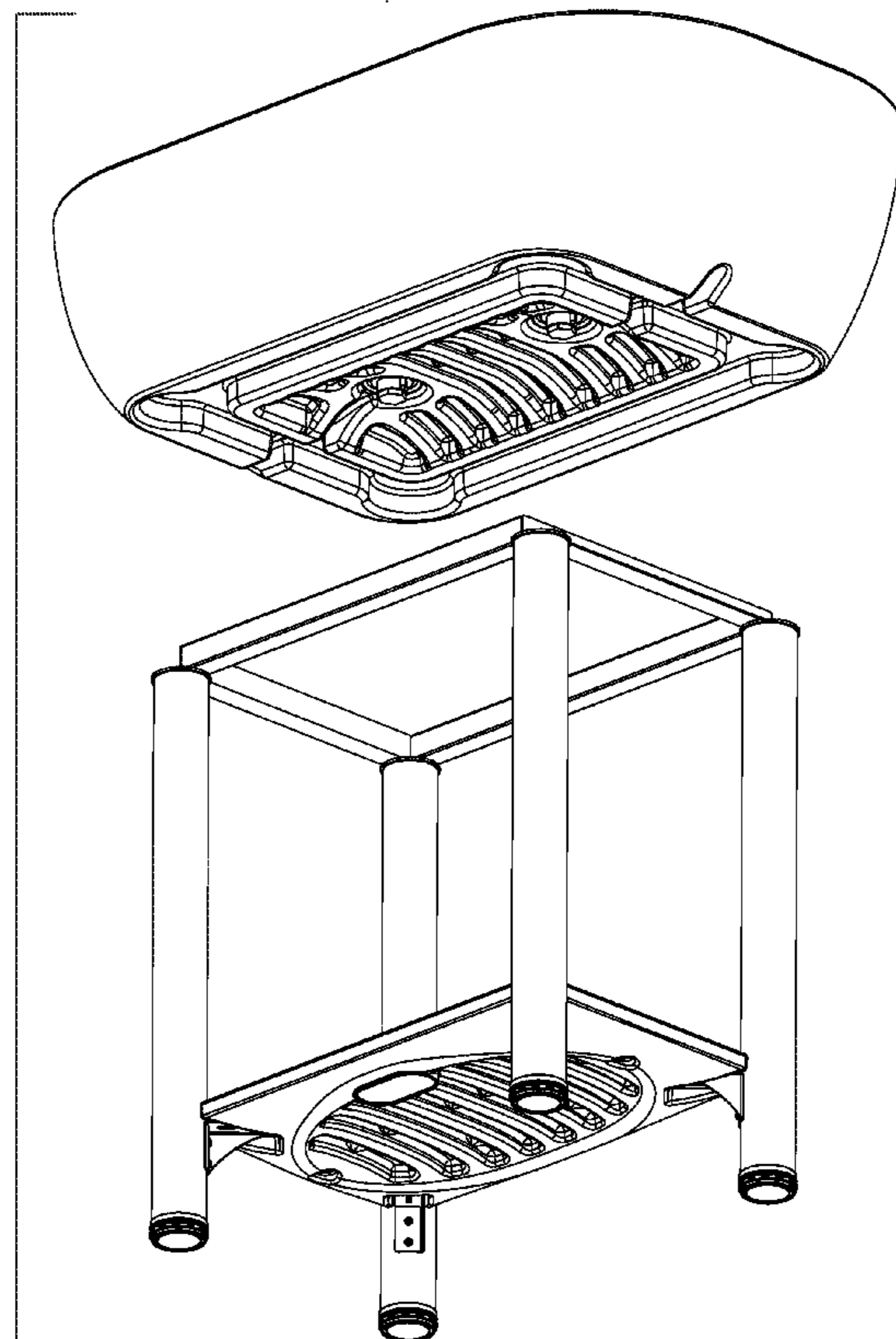
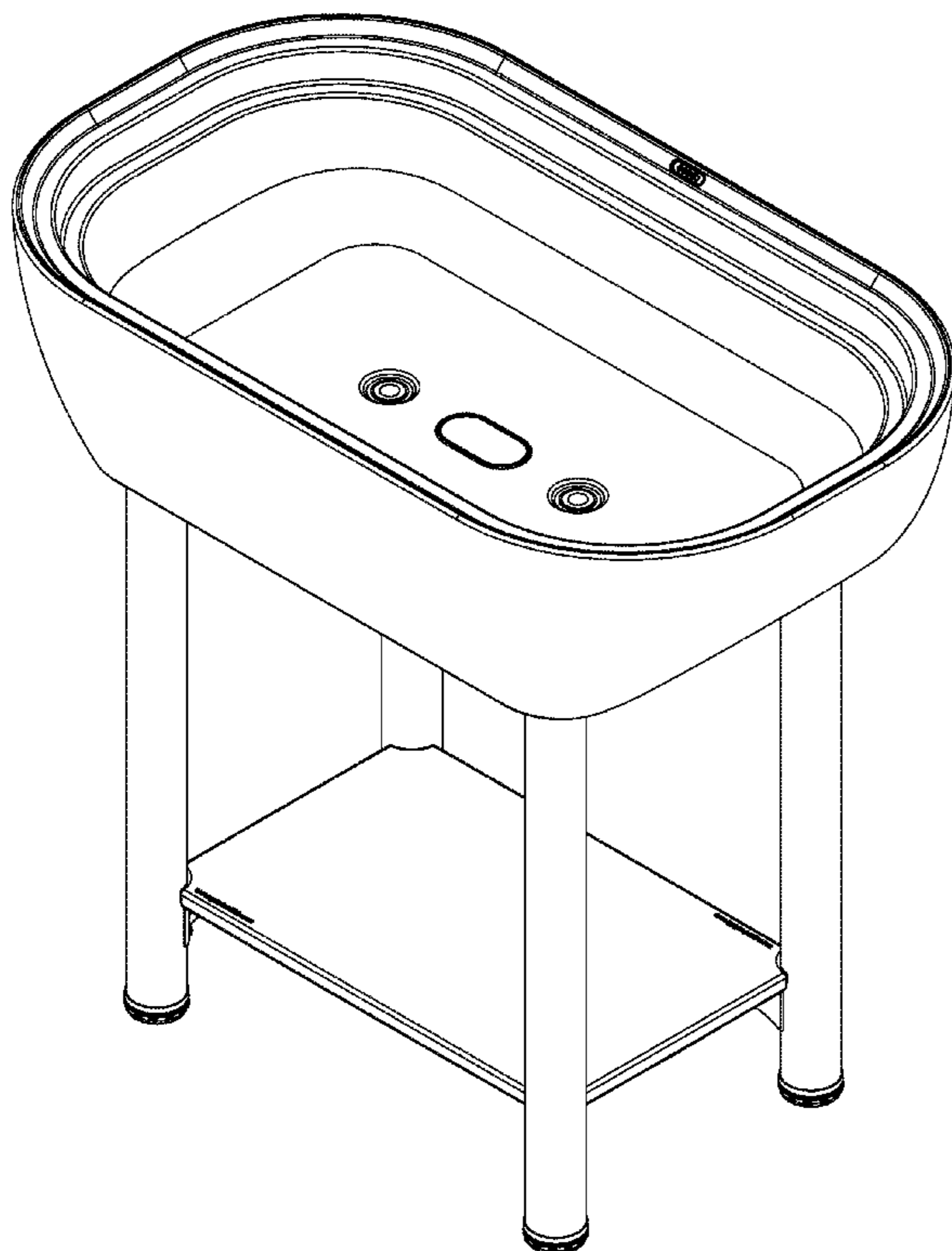
The ornamental design for an elevated garden unit, as shown and described.

**DESCRIPTION**

FIG. 1 is a top perspective view of an elevated garden unit, showing my new design;  
 FIG. 2 is a top, exploded perspective view thereof;  
 FIG. 3 is a bottom, exploded perspective view thereof;  
 FIG. 4 is a front elevation view thereof;  
 FIG. 5 is a rear elevation view thereof;  
 FIG. 6 is a right side elevation view thereof;  
 FIG. 7 is a left side elevation view thereof;  
 FIG. 8 is a top plan view thereof;  
 FIG. 9 is a bottom plan view thereof;  
 FIG. 10 is a bottom plan view thereof, with the stand portion not shown for ease of disclosure;  
 FIG. 11 is a cross-section view thereof, taken on line 11-11 of FIG. 8; and,  
 FIG. 12 is a cross-section view thereof, taken on line 12-12 of FIG. 8.

The broken lines depict environmental subject matter only and form no part of the claimed design.

**1 Claim, 12 Drawing Sheets**



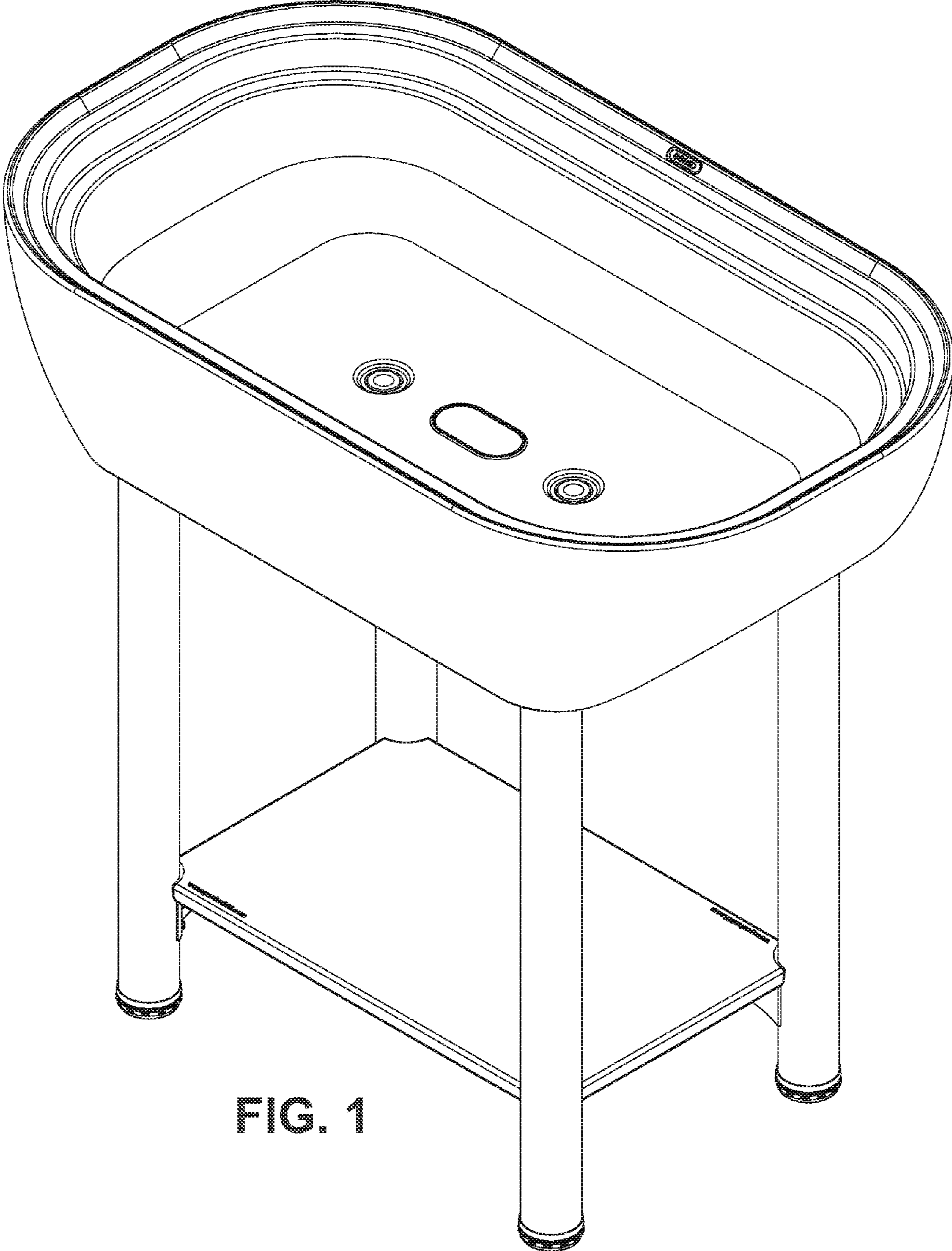
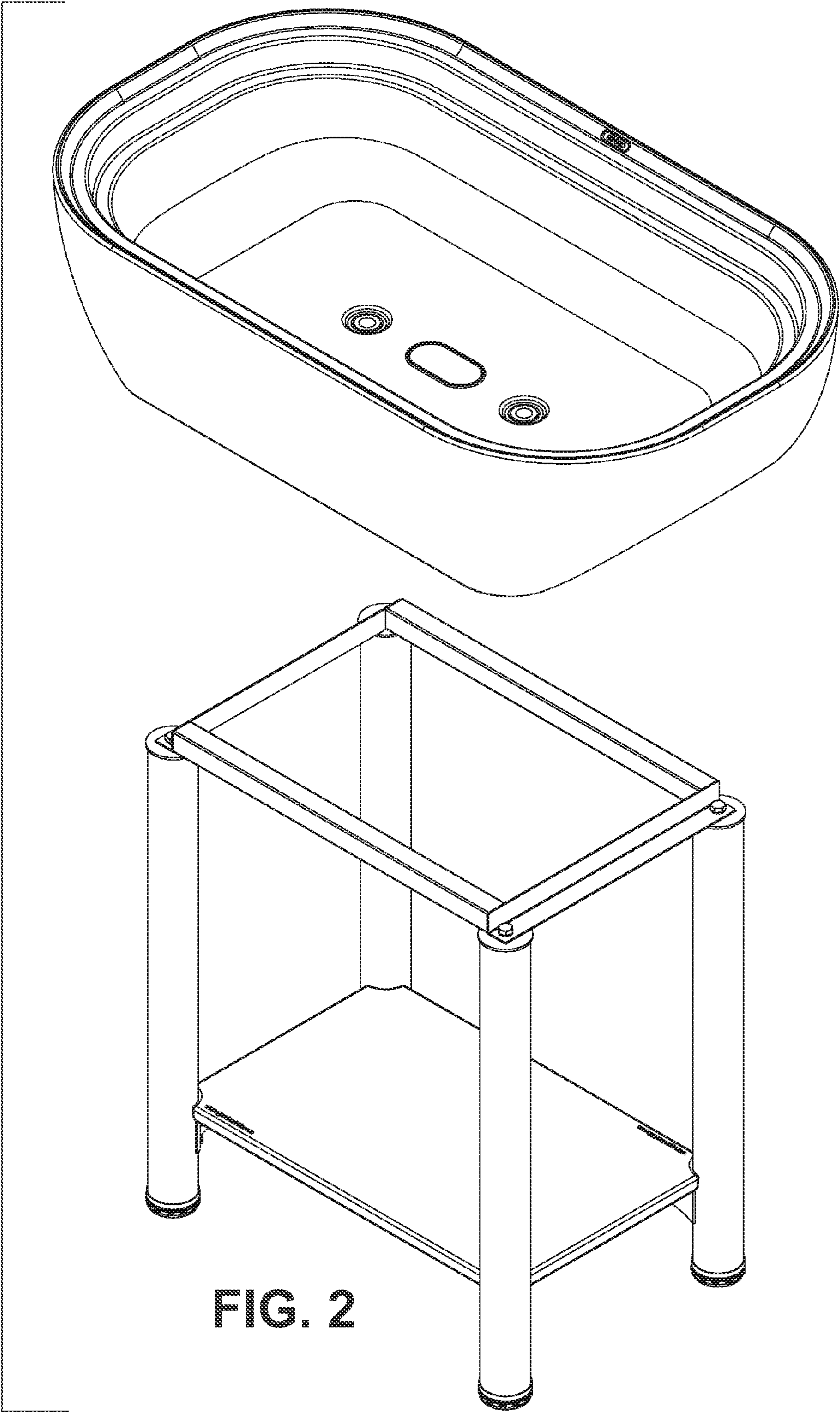


FIG. 1



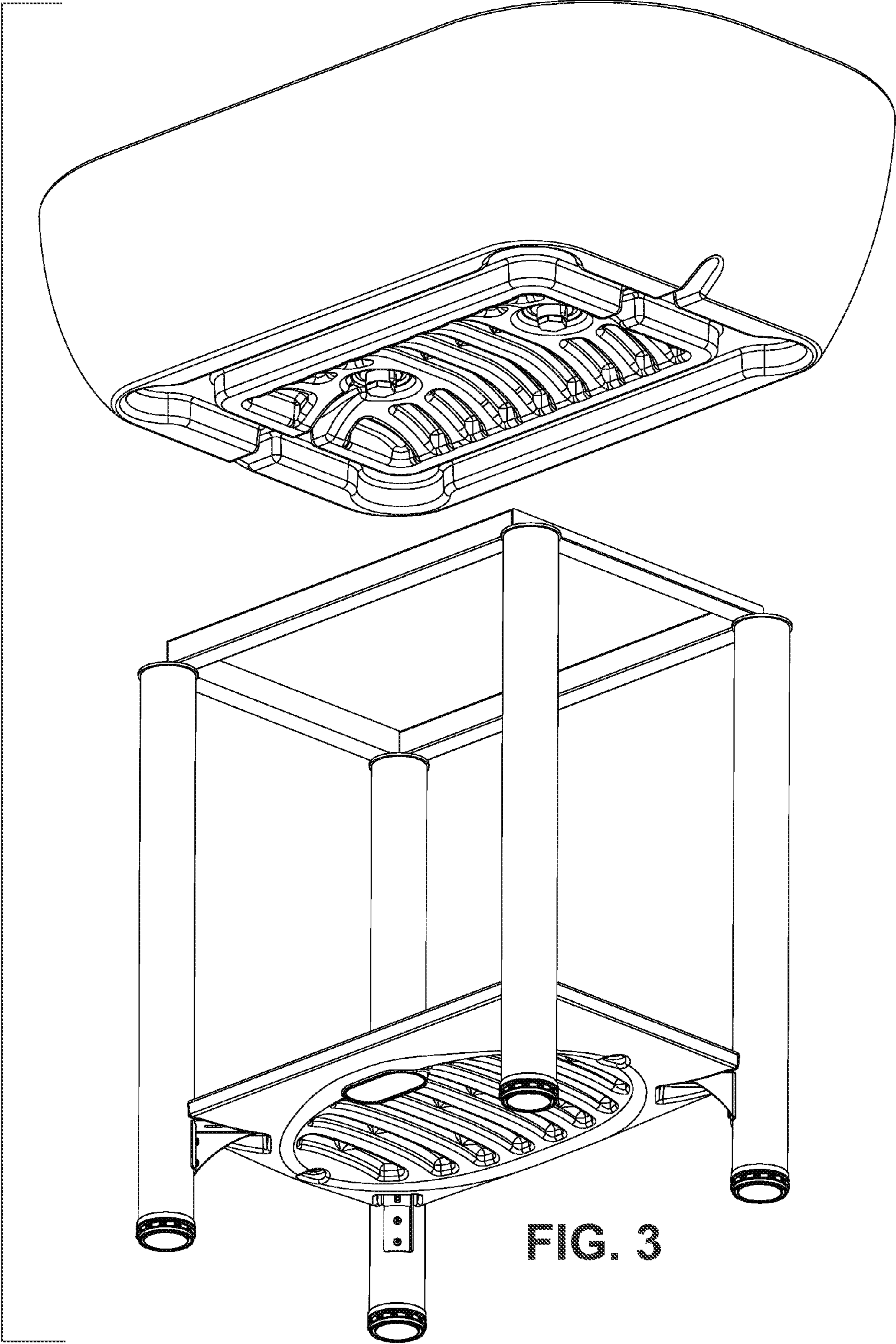


FIG. 3

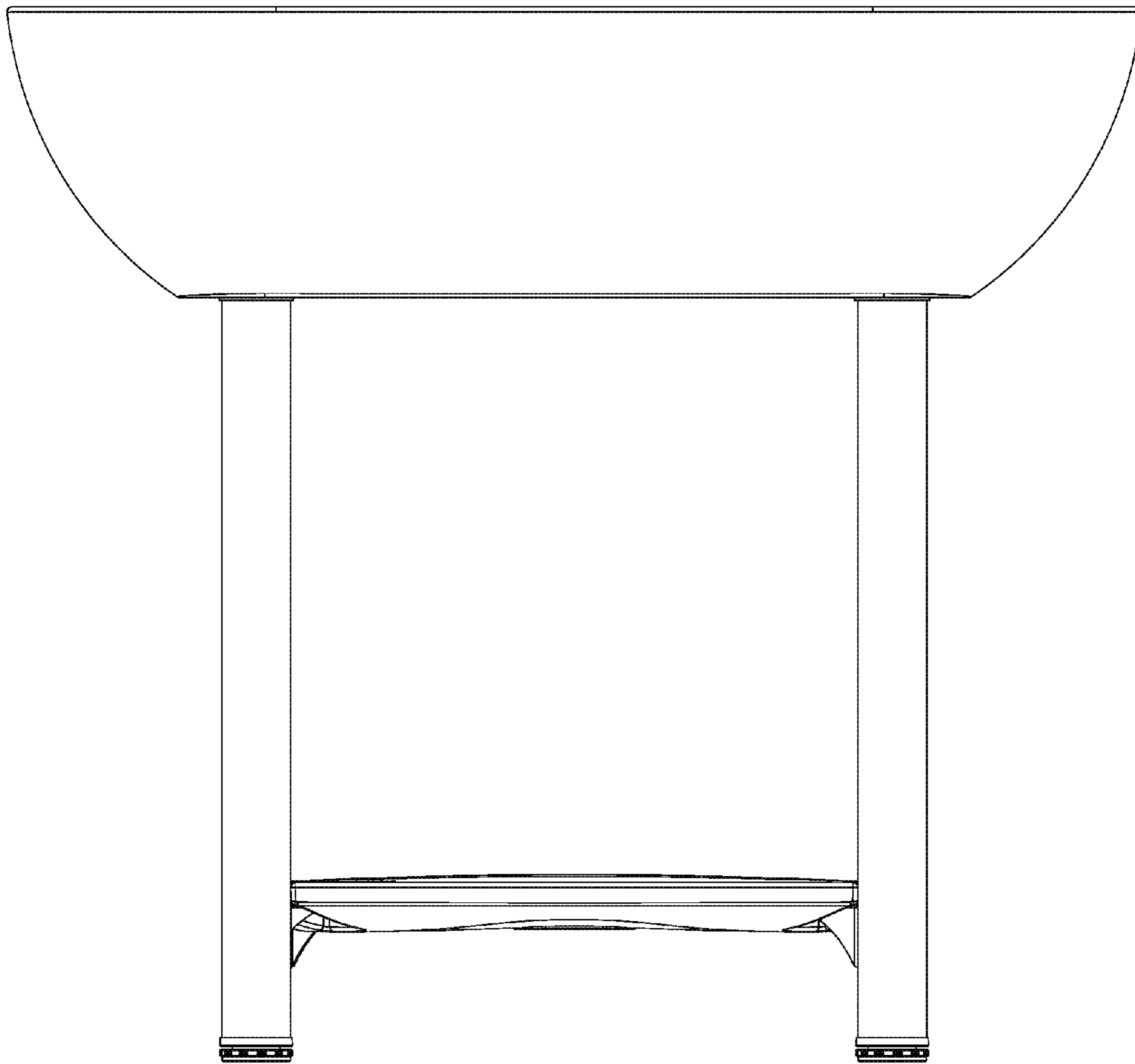


FIG. 4

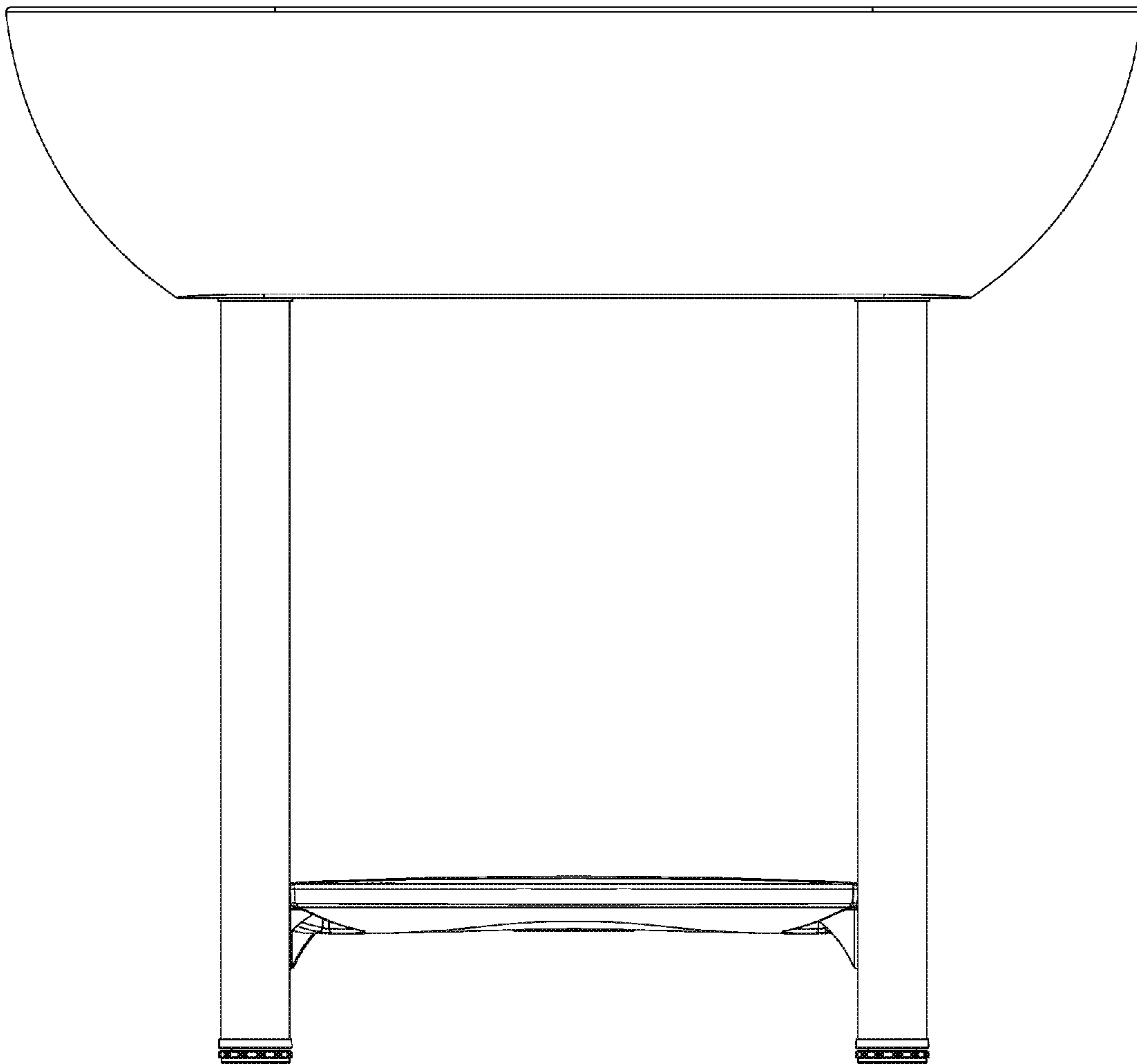


FIG. 5

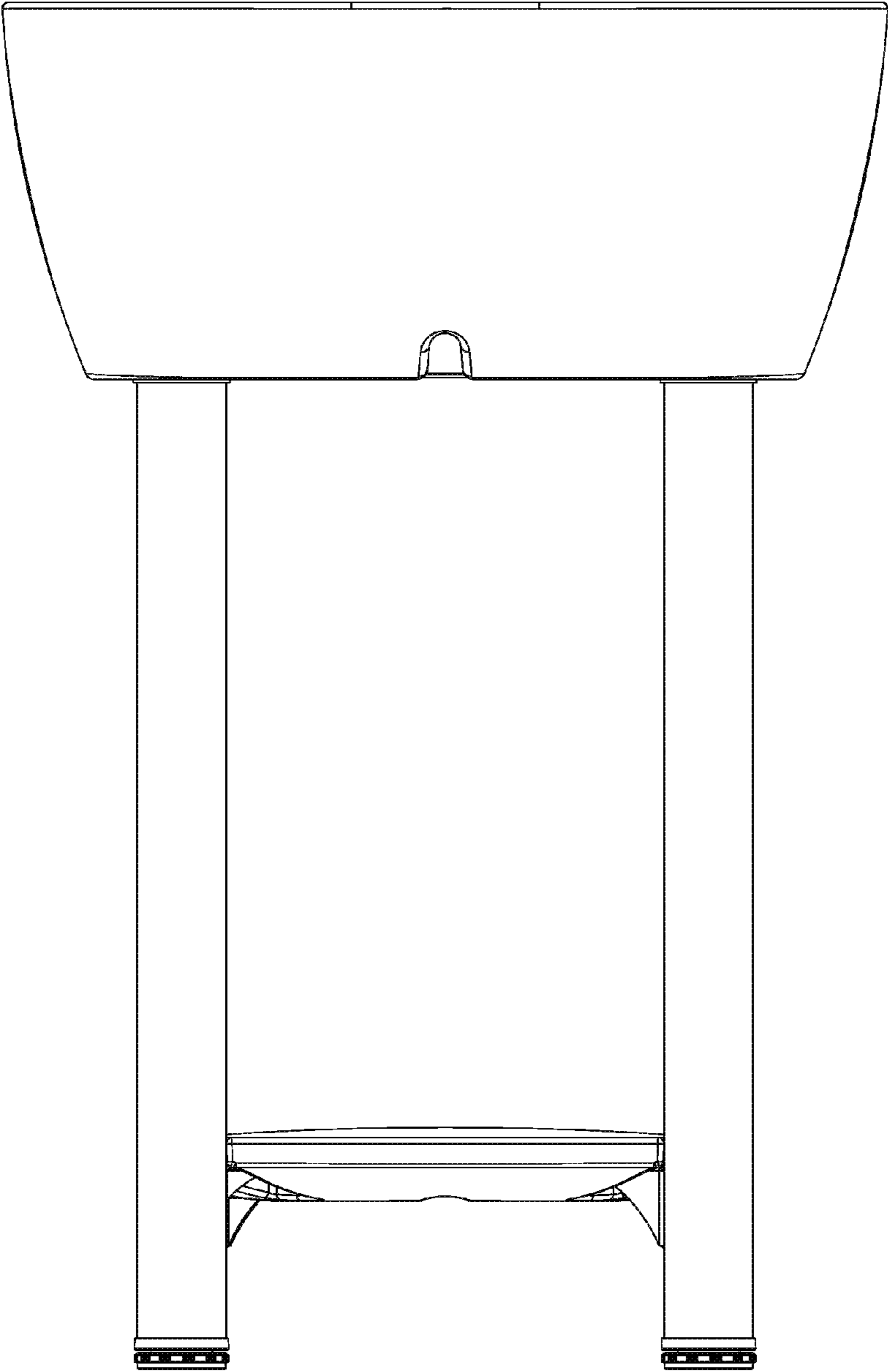


FIG. 6

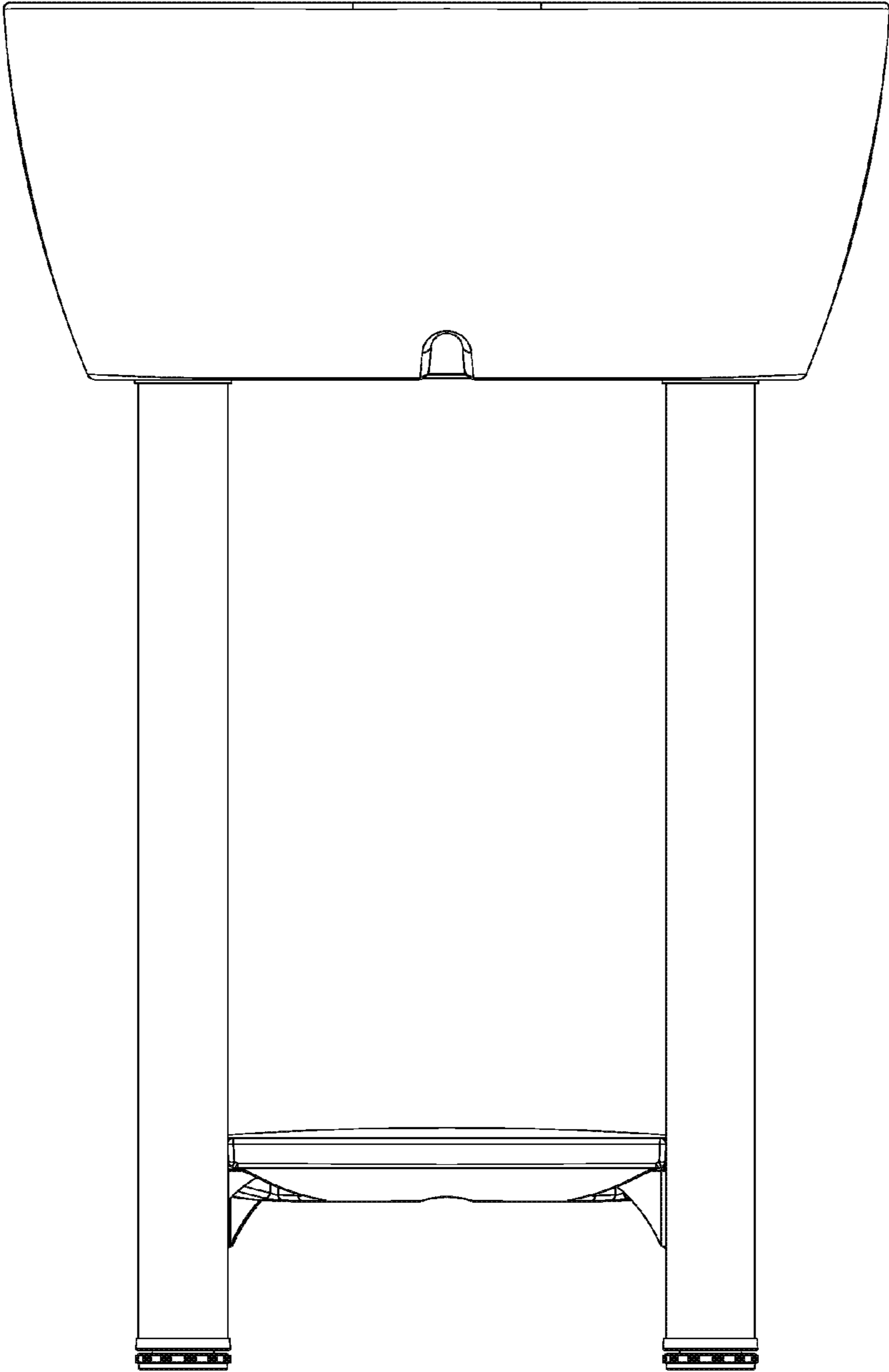


FIG. 7



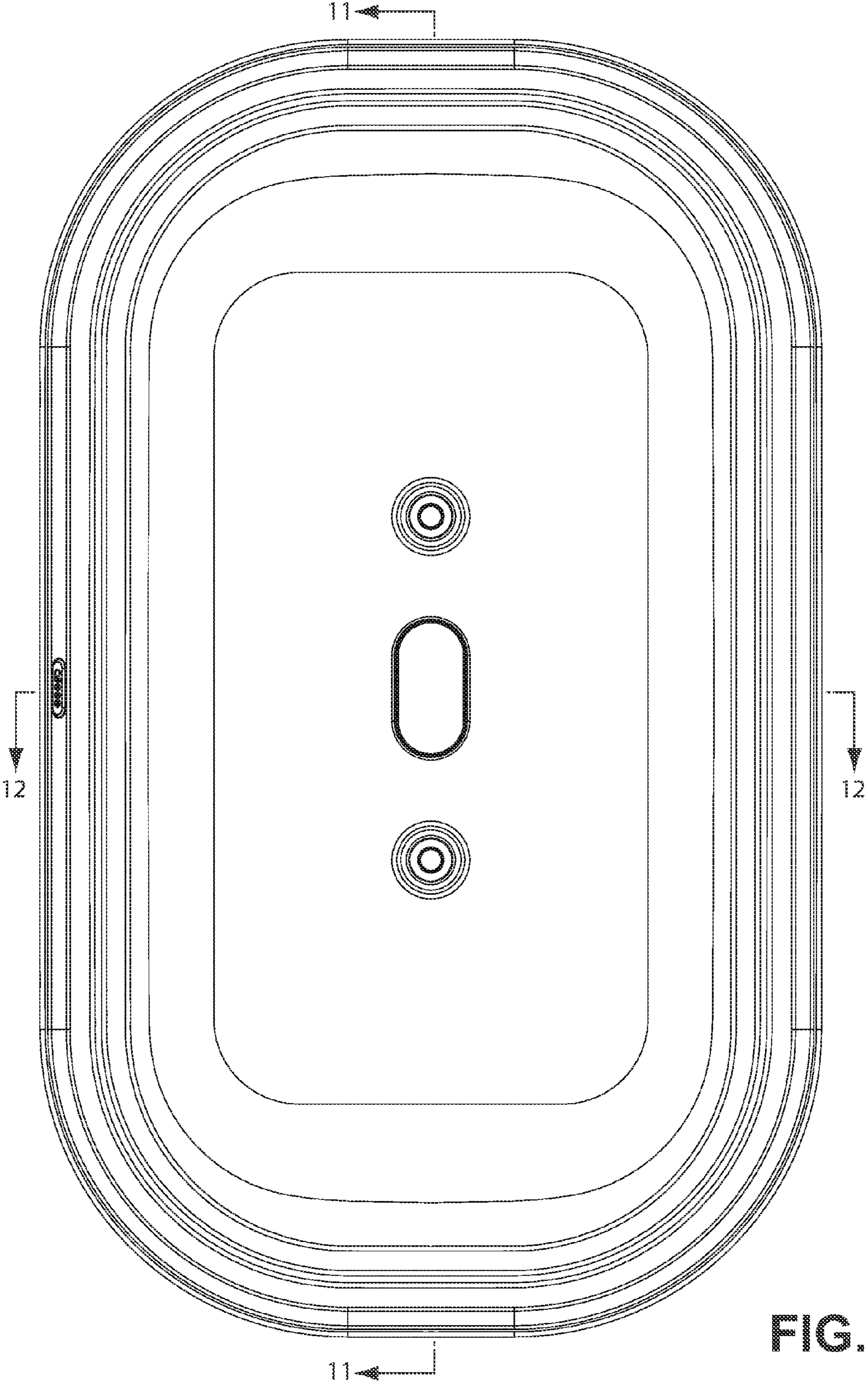


FIG. 8

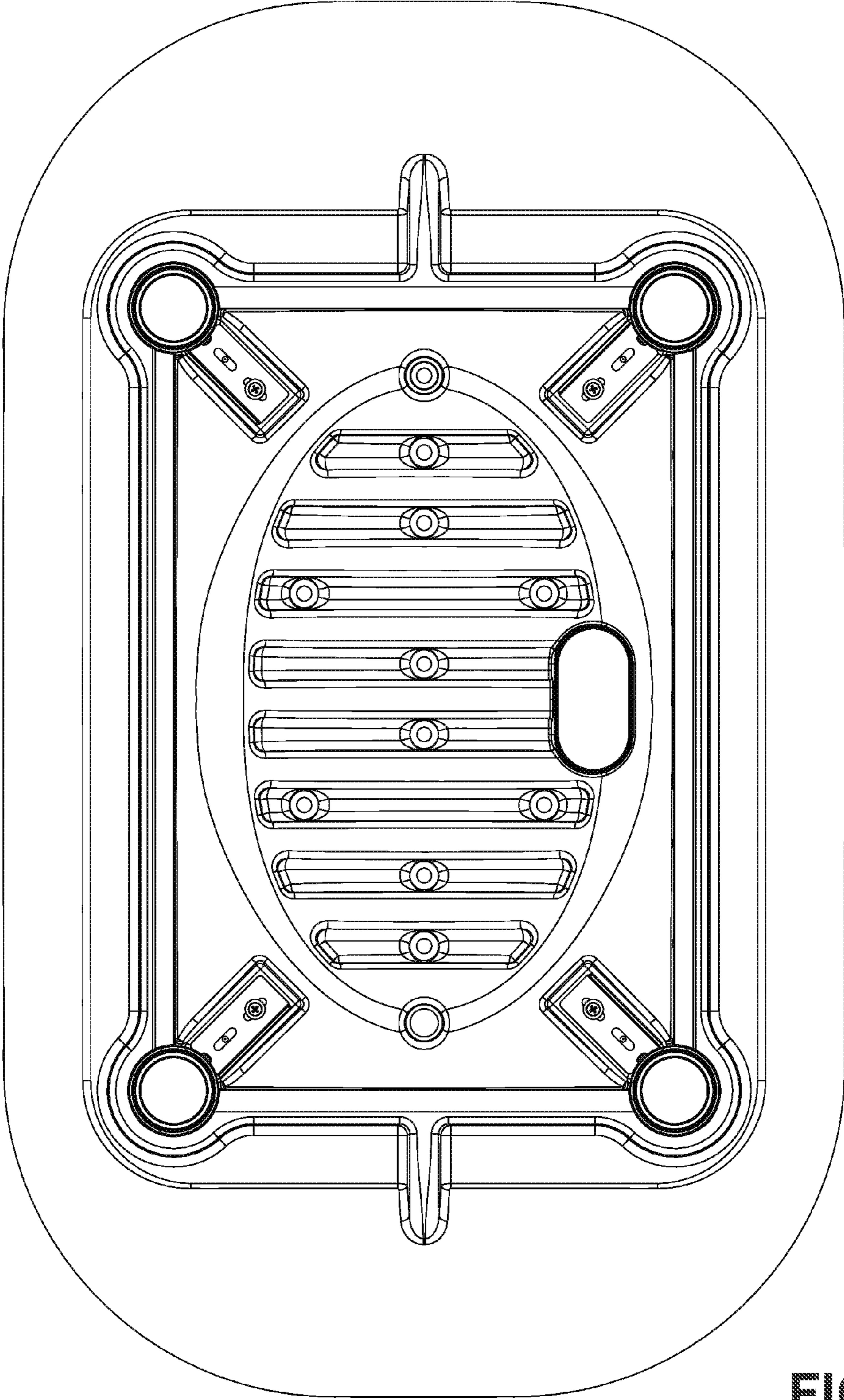


FIG. 9

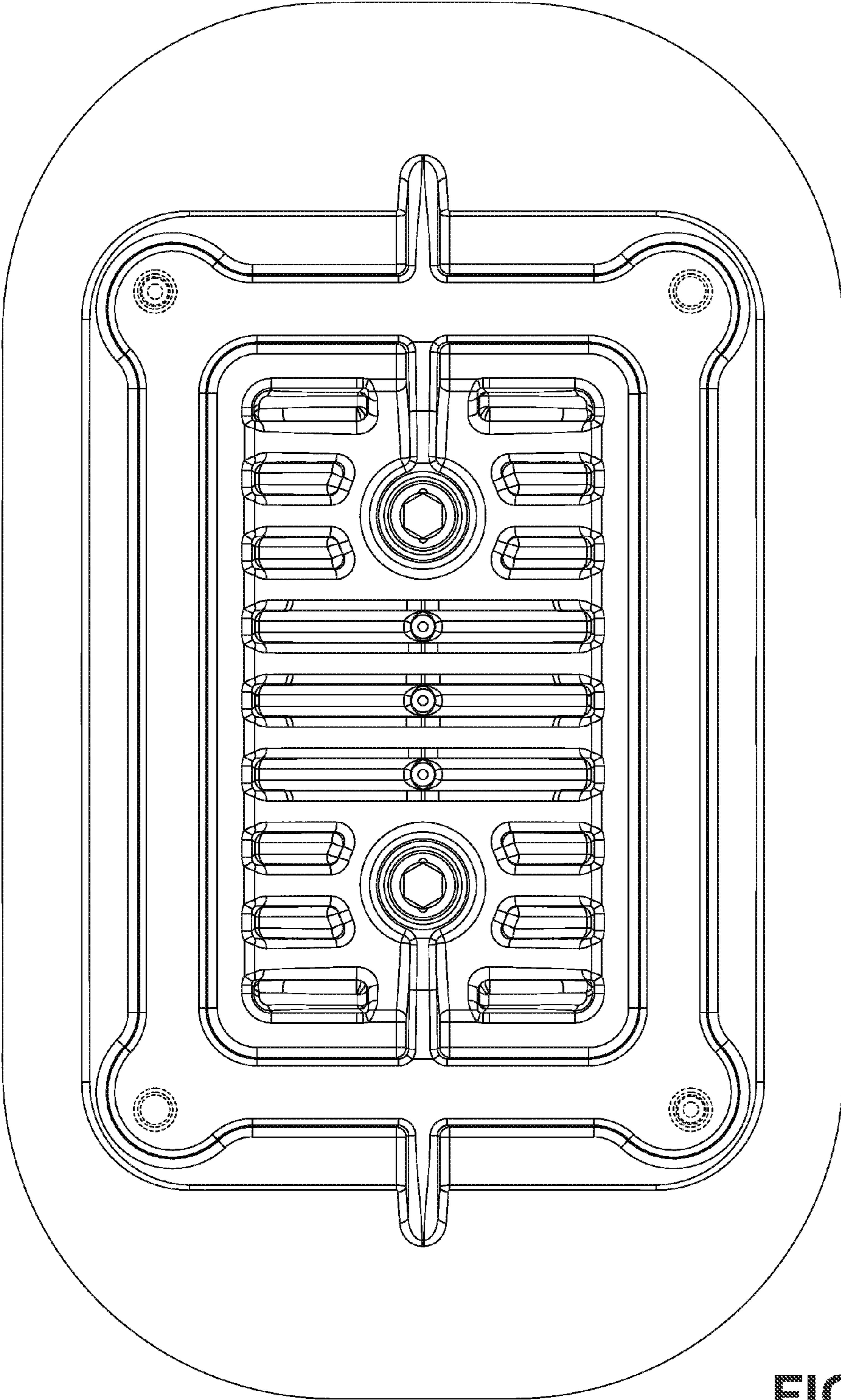


FIG. 10

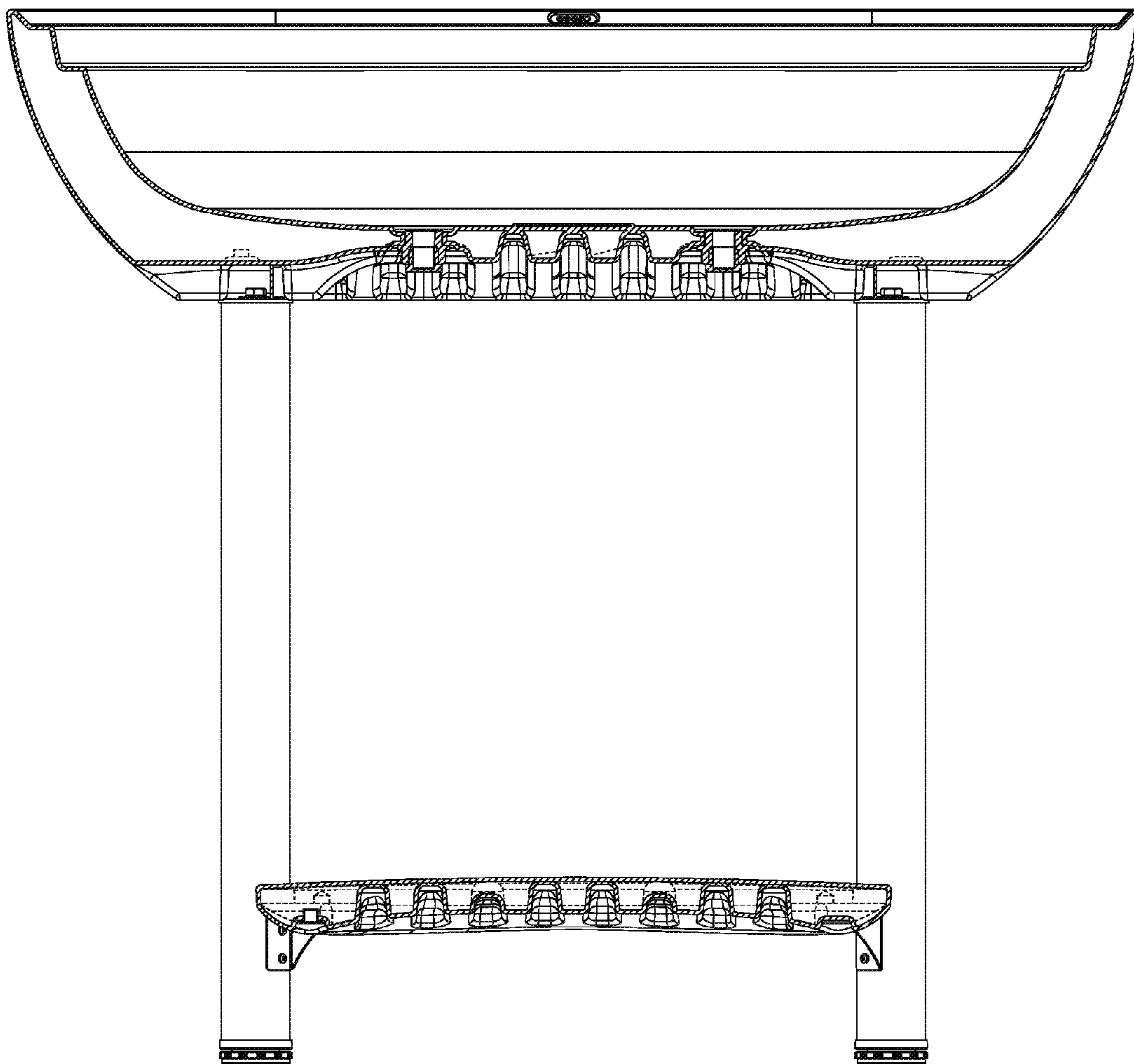


FIG. 11

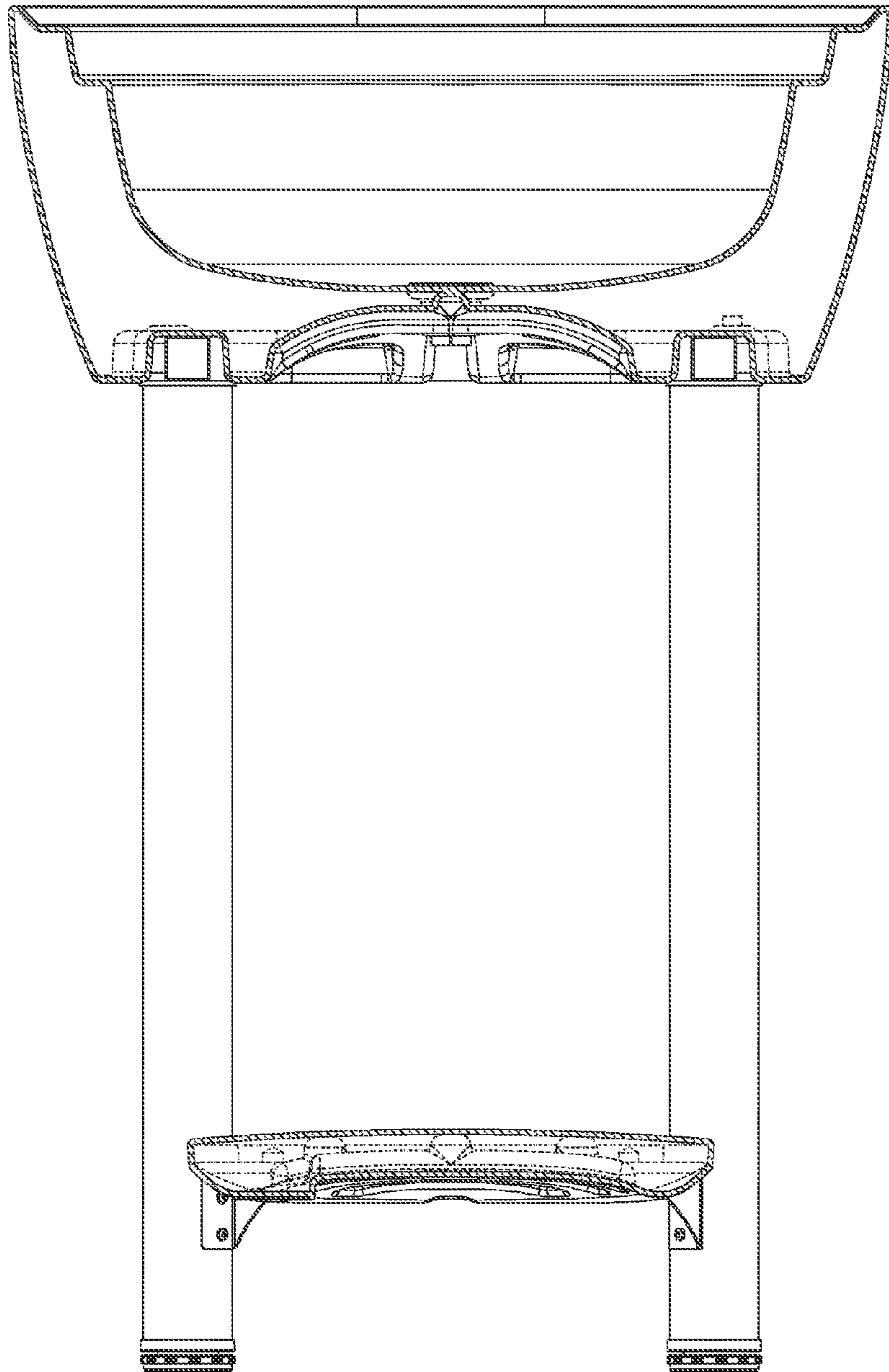


FIG. 12