



US00D658535S

(12) **United States Design Patent**  
**Hodzic**

(10) **Patent No.:** **US D658,535 S**  
(45) **Date of Patent:** **\*\* May 1, 2012**

(54) **STONE**

(75) **Inventor:** **Adela Hodzic**, Wattens (AT)

(73) **Assignee:** **Swarovski Aktiengesellschaft**, Triesen  
(LA)

(\*\*) **Term:** **14 Years**

(21) **Appl. No.:** **29/400,996**

(22) **Filed:** **Sep. 6, 2011**

(30) **Foreign Application Priority Data**

Mar. 15, 2011 (EM) ..... 1835513-0003

(51) **LOC (9) Cl.** ..... **11-01**

(52) **U.S. Cl.** ..... **D11/89**

(58) **Field of Classification Search** ..... D11/1-2,  
D11/26-29, 89-92; 63/26-28, 32

See application file for complete search history.

(56) **References Cited**

U.S. PATENT DOCUMENTS

D543,891	S	*	6/2007	Granig	.....	D11/90
D560,546	S	*	1/2008	Granig	.....	D11/90
D594,366	S	*	6/2009	Castelein	.....	D11/89
D594,368	S	*	6/2009	Mosmann	.....	D11/89
D604,662	S	*	11/2009	Bartl	.....	D11/89
D609,599	S	*	2/2010	Bartl	.....	D11/90

\* cited by examiner

*Primary Examiner* — Ralf Seifert

(74) *Attorney, Agent, or Firm* — Wenderoth, Lind & Ponack,  
L.L.P.

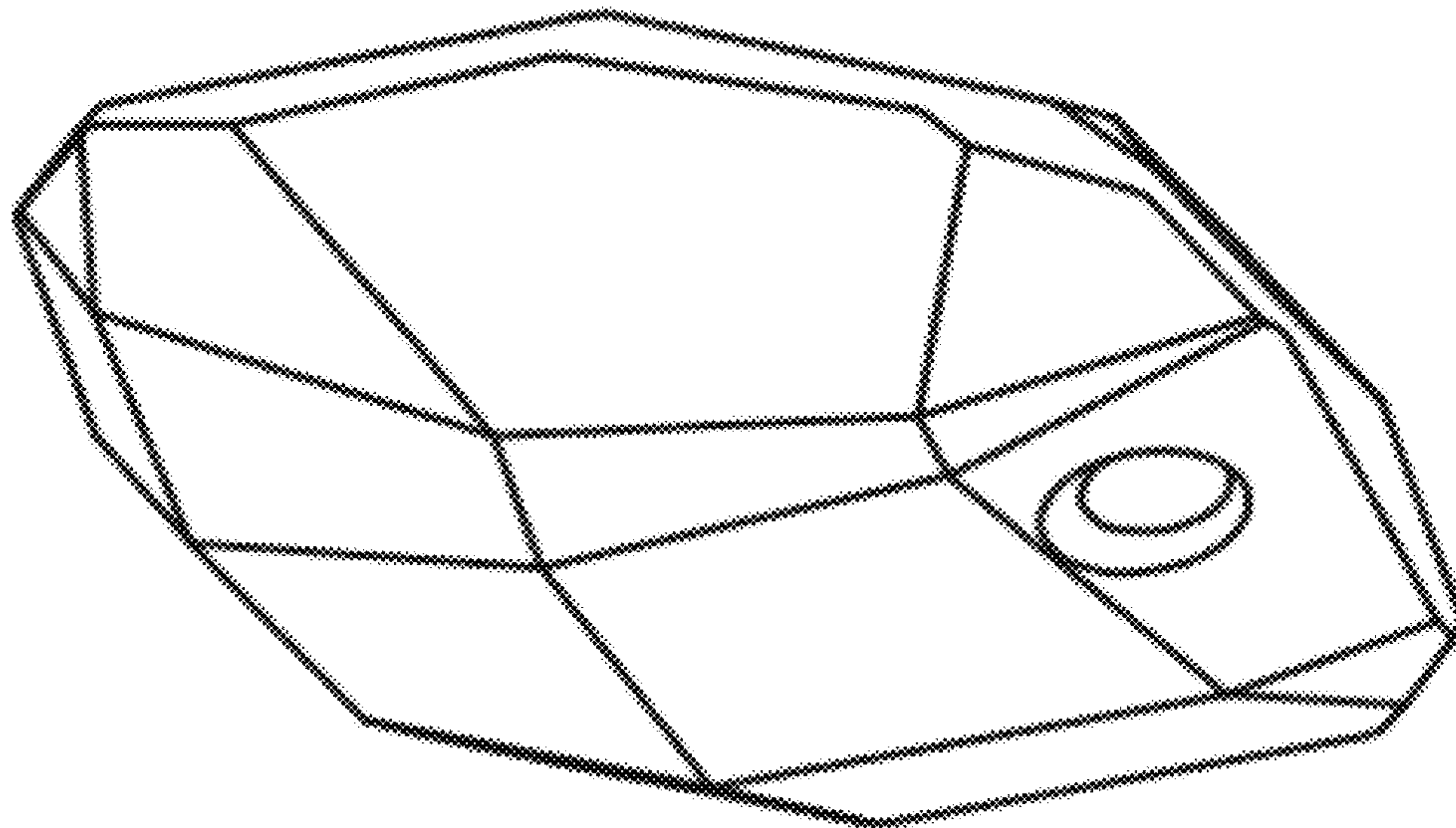
(57) **CLAIM**

The ornamental design for an ornamental stone, as shown and described.

**DESCRIPTION**

FIG. 1 is a top view of the invention;  
FIG. 2 is a left view of the invention;  
FIG. 3 is a right view of the invention;  
FIG. 4 is a front view of the invention;  
FIG. 5 is a bottom view of the invention;  
FIG. 6 is a rear view of the invention; and,  
FIG. 7 is a perspective view of the invention.

**1 Claim, 2 Drawing Sheets**



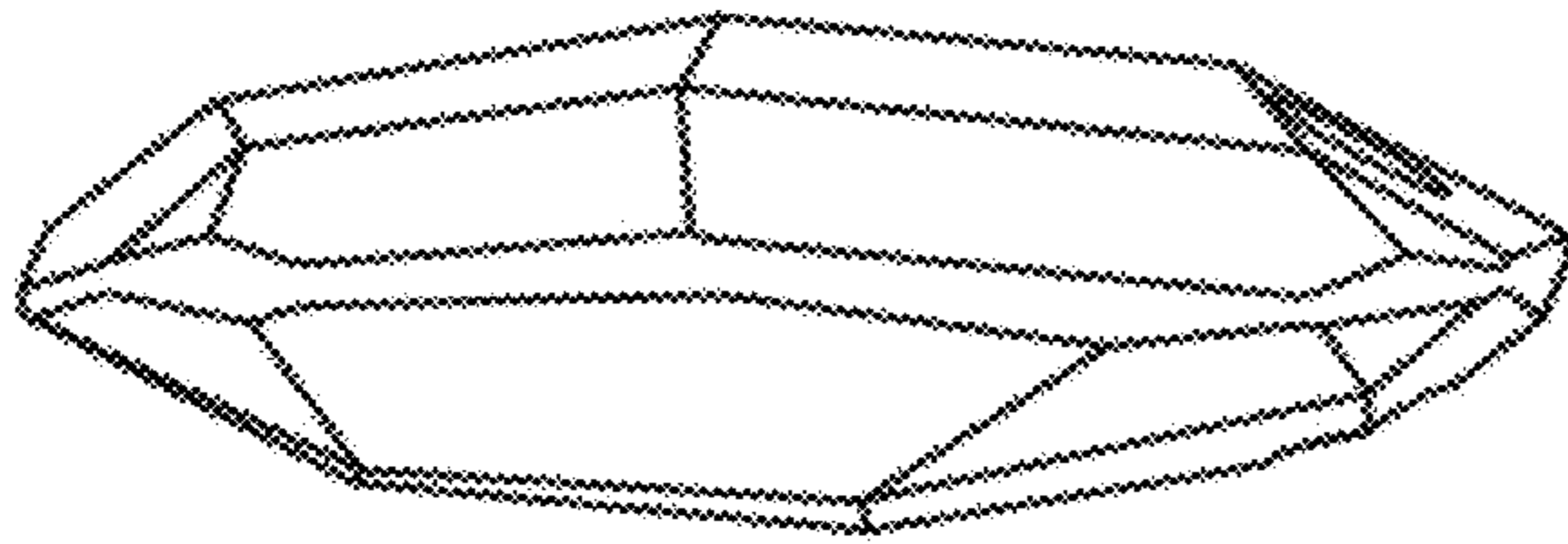


Fig. 1

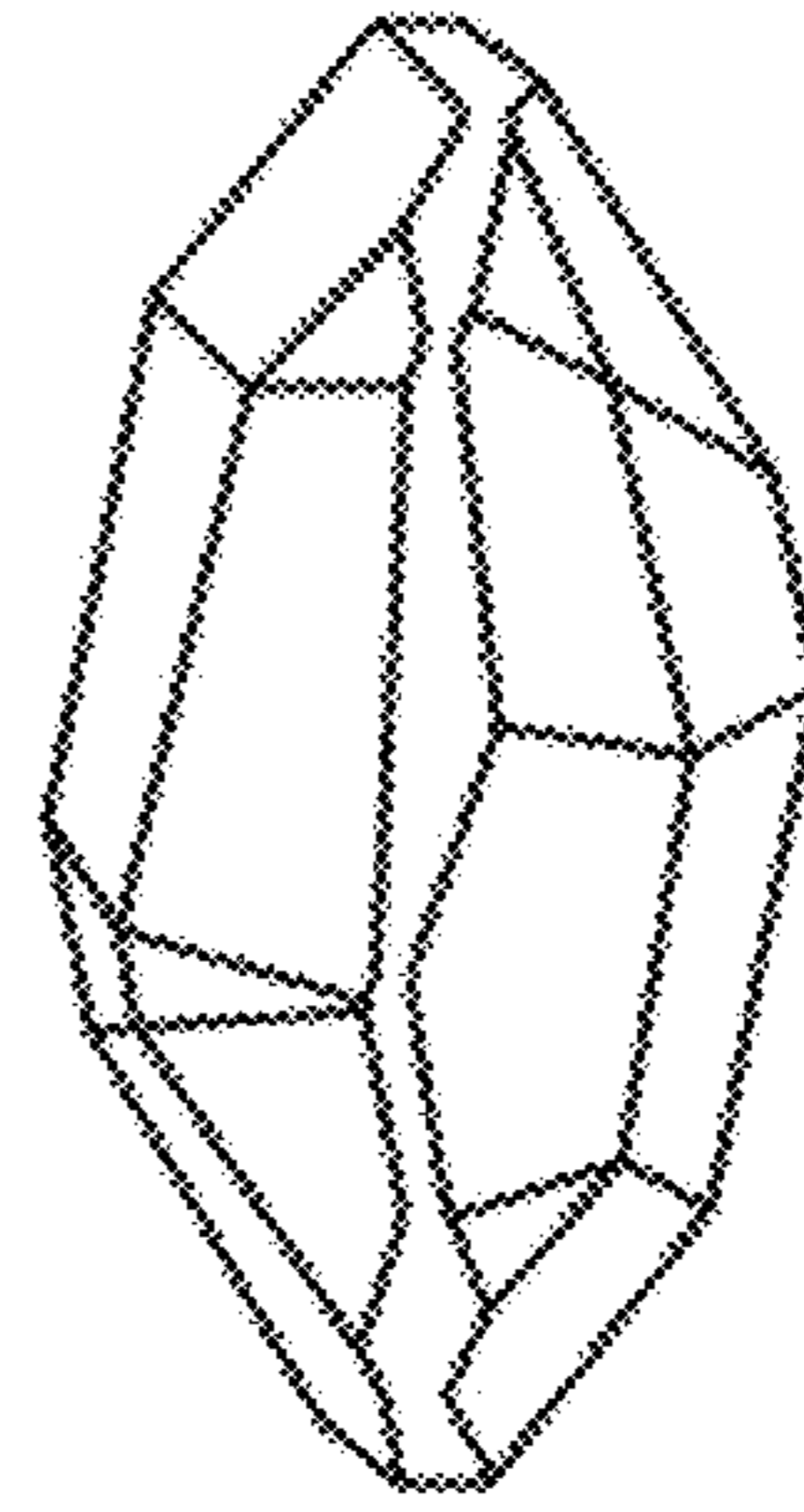


Fig. 2

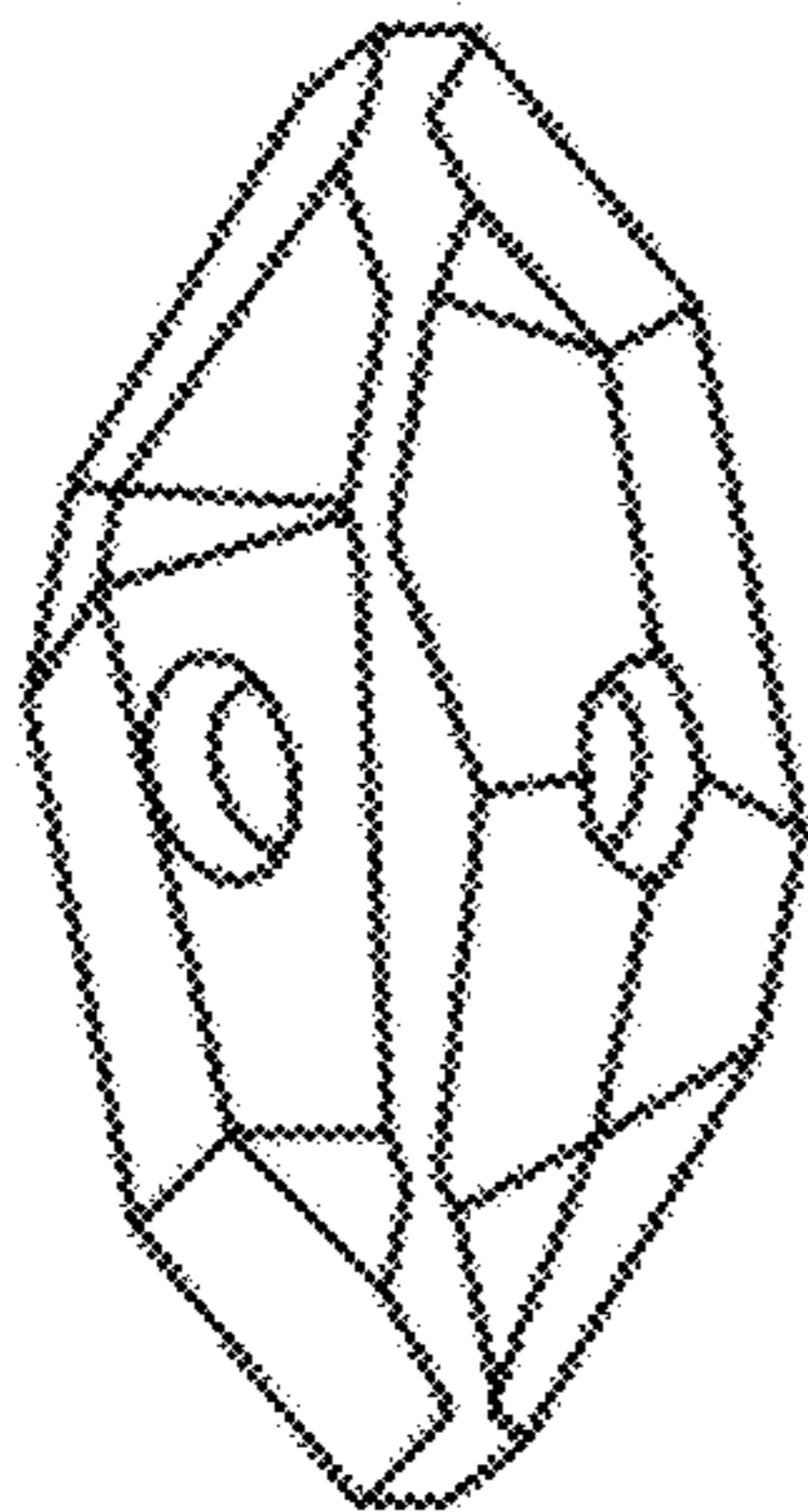


Fig. 3

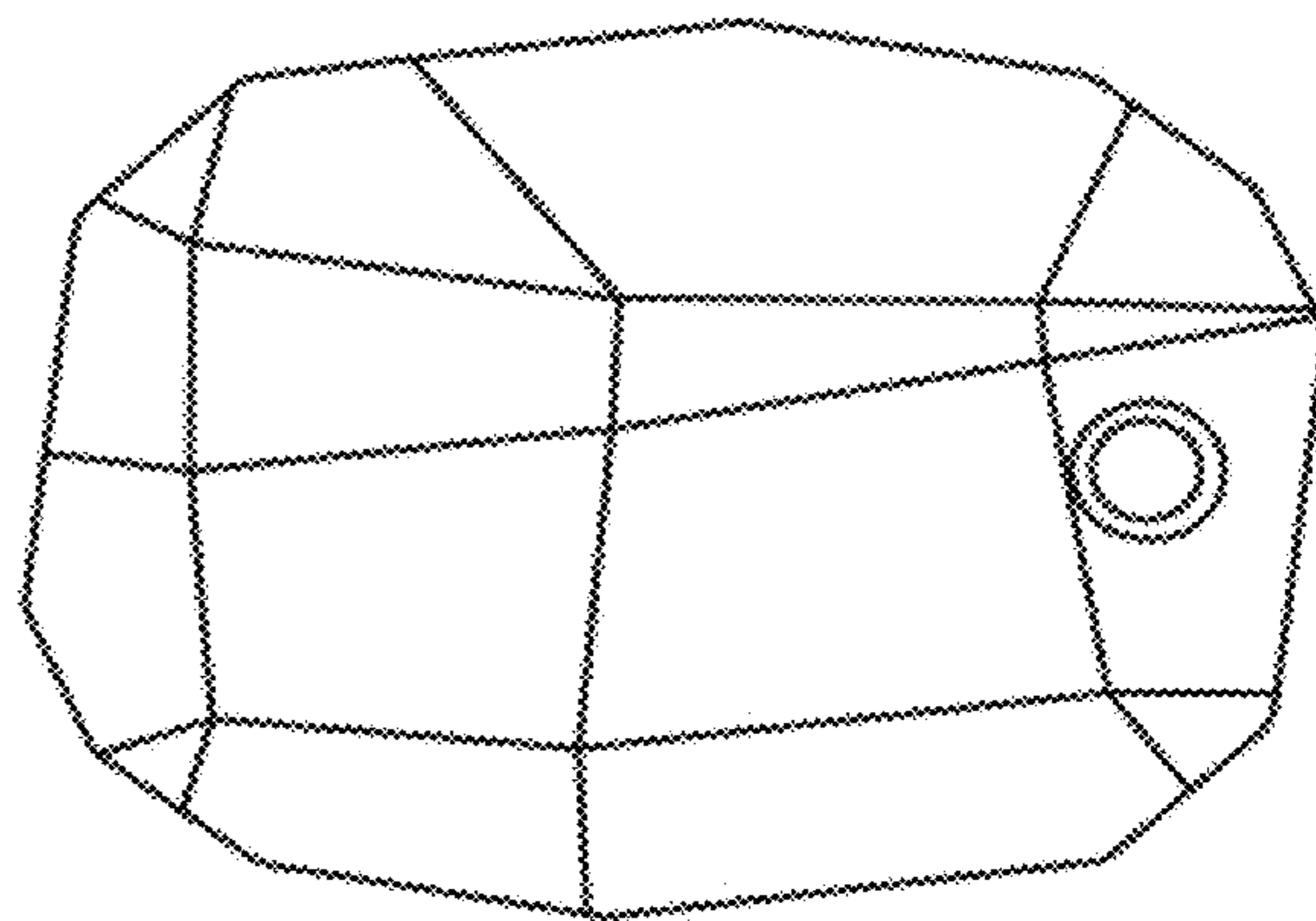


Fig. 4

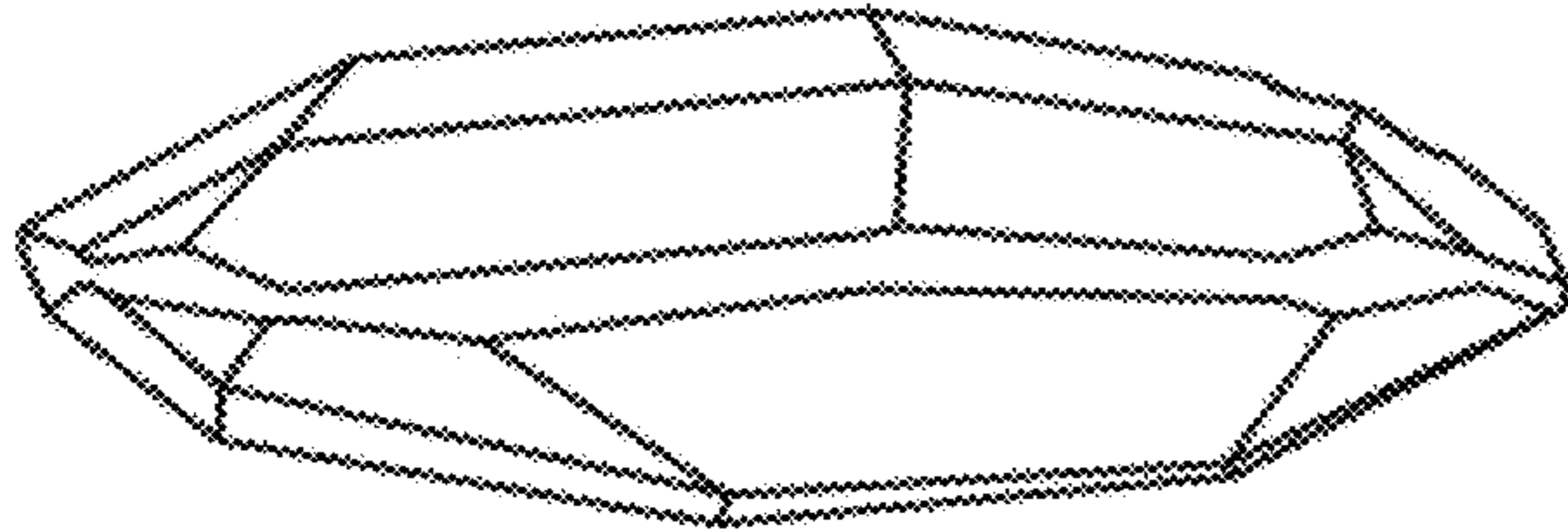


Fig. 5

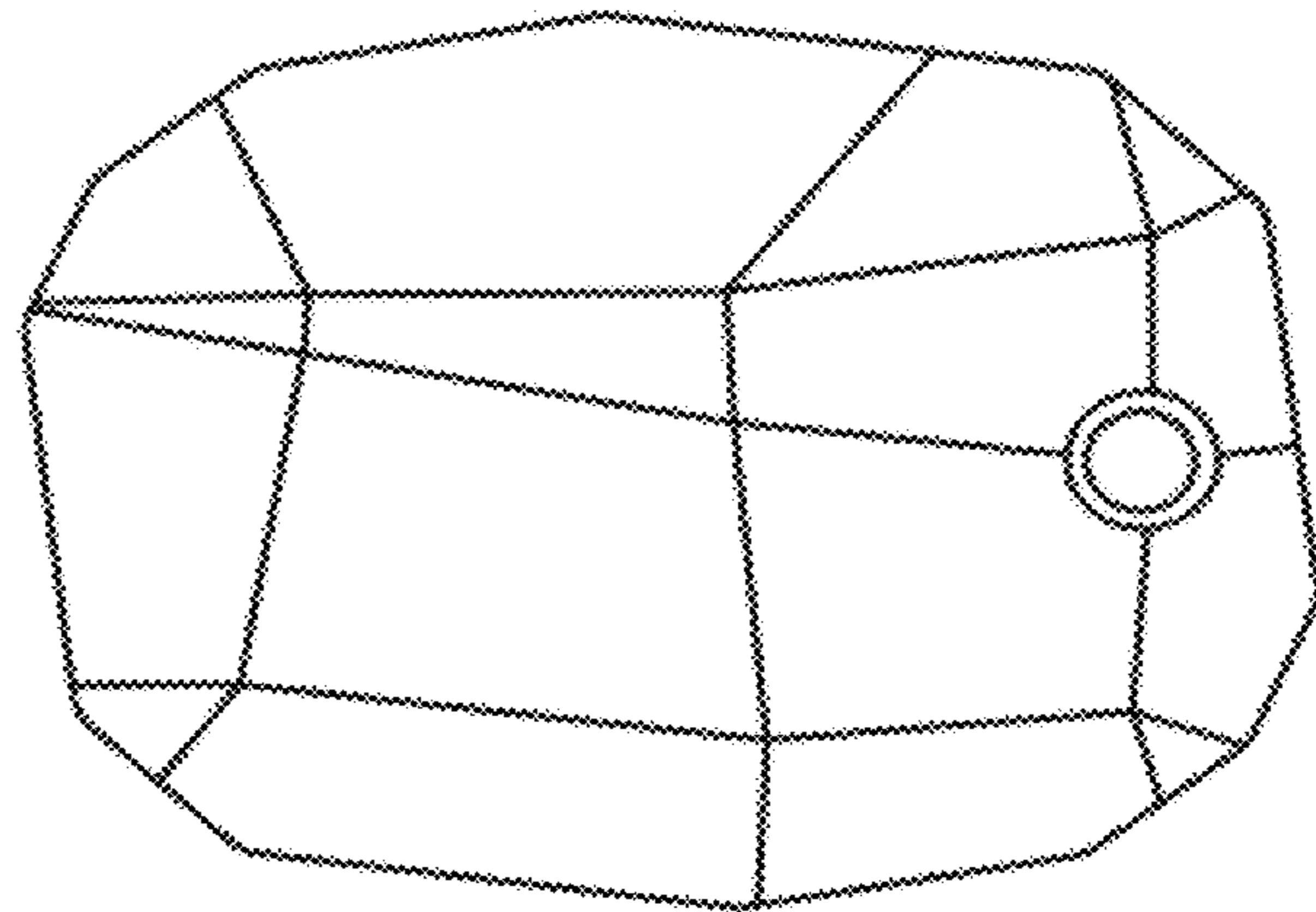


Fig. 6

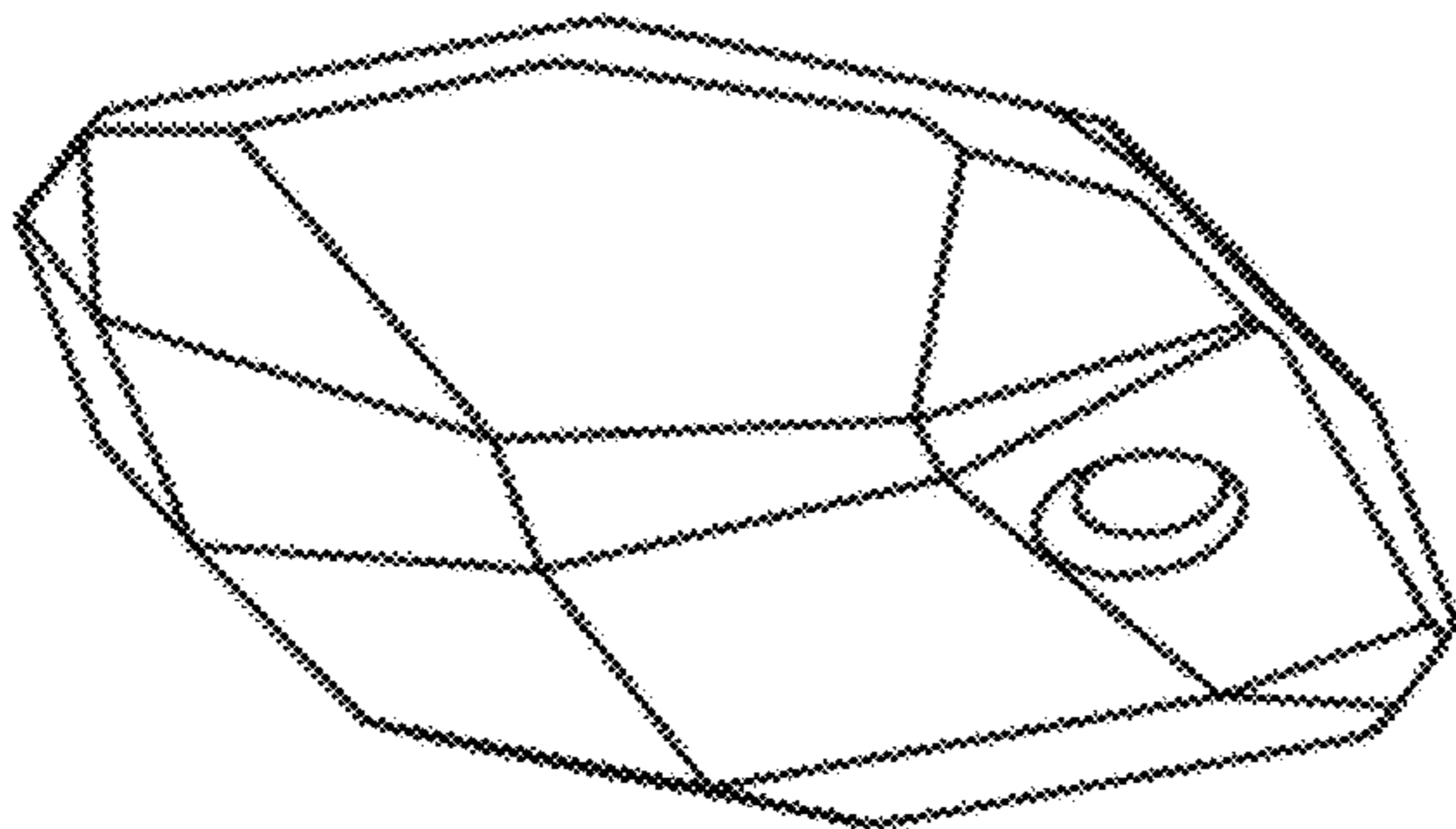


Fig. 7