



US00D658533S

(12) **United States Design Patent**  
**Neuner**

(10) **Patent No.:** **US D658,533 S**

(45) **Date of Patent:** **\*\* May 1, 2012**

(54) **OBJECT MADE OF GLASS, GLASSWARE**

(75) Inventor: **Clemens Neuner, Zirl (AT)**

(73) Assignee: **Swarovski Aktiengesellschaft, Triesen (LI)**

(\*\*) Term: **14 Years**

(21) Appl. No.: **29/356,990**

(22) Filed: **Mar. 5, 2010**

(30) **Foreign Application Priority Data**

Dec. 1, 2009 (EM) ..... 1181879-0002

(51) **LOC (9) Cl.** ..... **11-03**

(52) **U.S. Cl.** ..... **D11/89**

(58) **Field of Classification Search** ..... D11/1-2,  
D11/26-29, 89-90; 63/26-28, 32  
See application file for complete search history.

(56) **References Cited**

**U.S. PATENT DOCUMENTS**

D239,534 S \* 4/1976 Michaeli ..... D7/396.2  
D242,738 S \* 12/1976 Michaeli ..... D26/136  
D515,728 S \* 2/2006 Yando ..... D26/153

D526,084 S \* 8/2006 Yando et al. .... D26/153  
D531,080 S \* 10/2006 Swarovski ..... D11/90  
D605,551 S \* 12/2009 Renner ..... D11/89  
D647,422 S \* 10/2011 Granig ..... D11/89

\* cited by examiner

*Primary Examiner* — Ralf Seifert

(74) *Attorney, Agent, or Firm* — Wenderoth, Lind & Ponack, L.L.P.

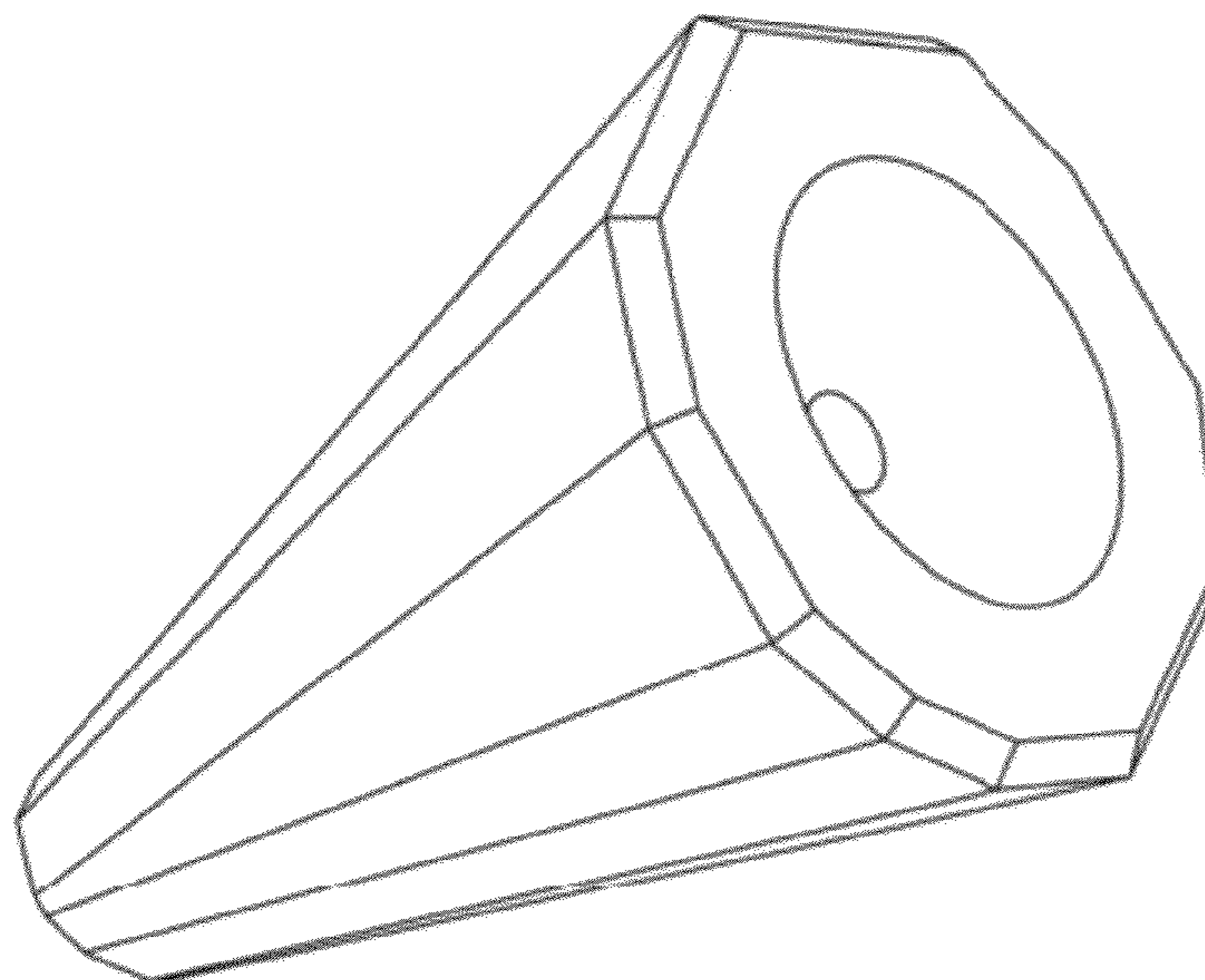
(57) **CLAIM**

The ornamental design for an ornamental object made of glass, glassware, as shown and described.

**DESCRIPTION**

FIG. 1 is a front-side perspective view of the invention;  
FIG. 2 is a front view of the invention;  
FIG. 3 is a left side view of the invention;  
FIG. 4 is a rear view of the invention;  
FIG. 5 is a right side view of the invention;  
FIG. 6 is a bottom view of the invention;  
FIG. 7 is a rear-side perspective view of the invention;  
FIG. 8 is a cross-sectional view of the invention taken along the lines 8-8 of FIG. 5; and,  
FIG. 9 is a top view of the invention.

**1 Claim, 3 Drawing Sheets**



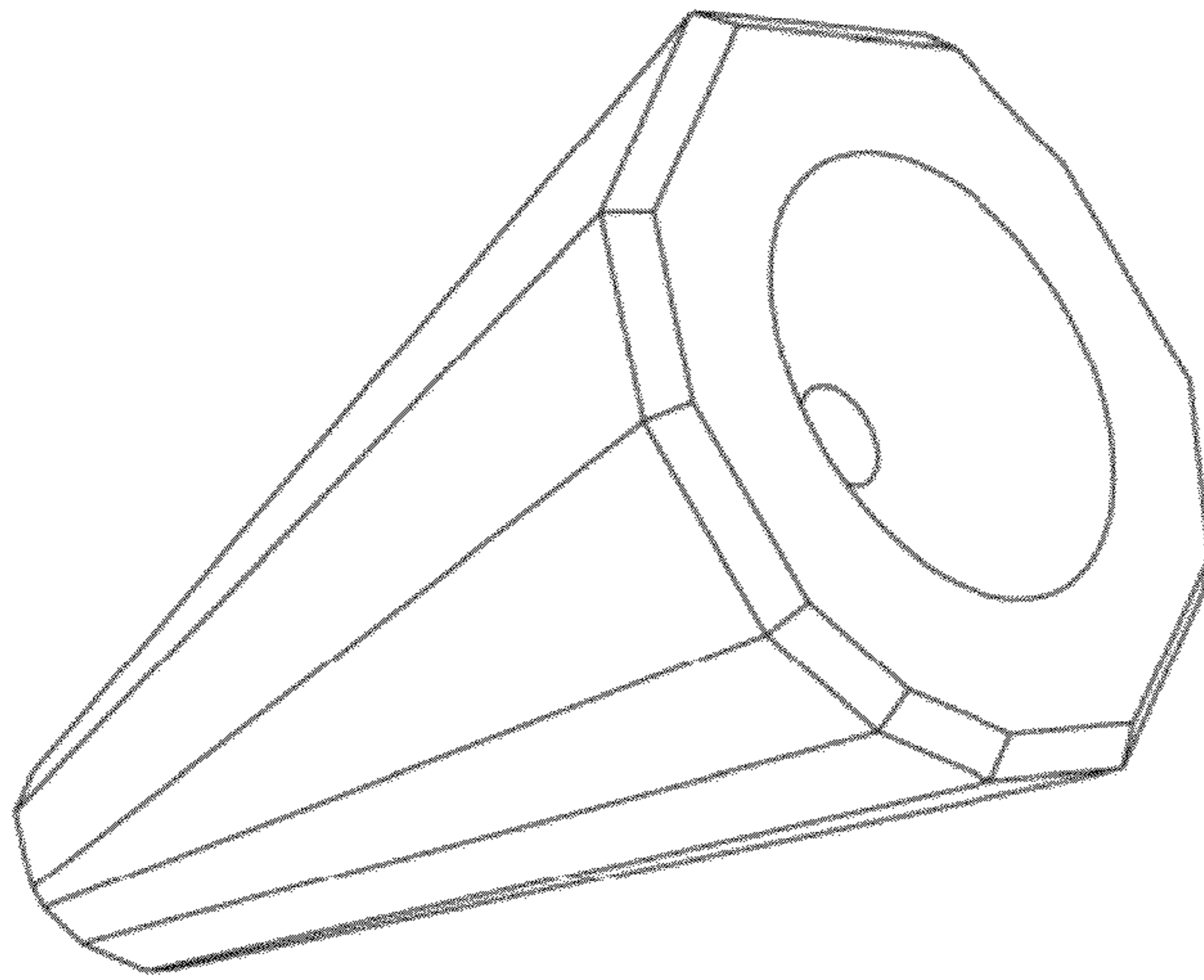


Fig. 1

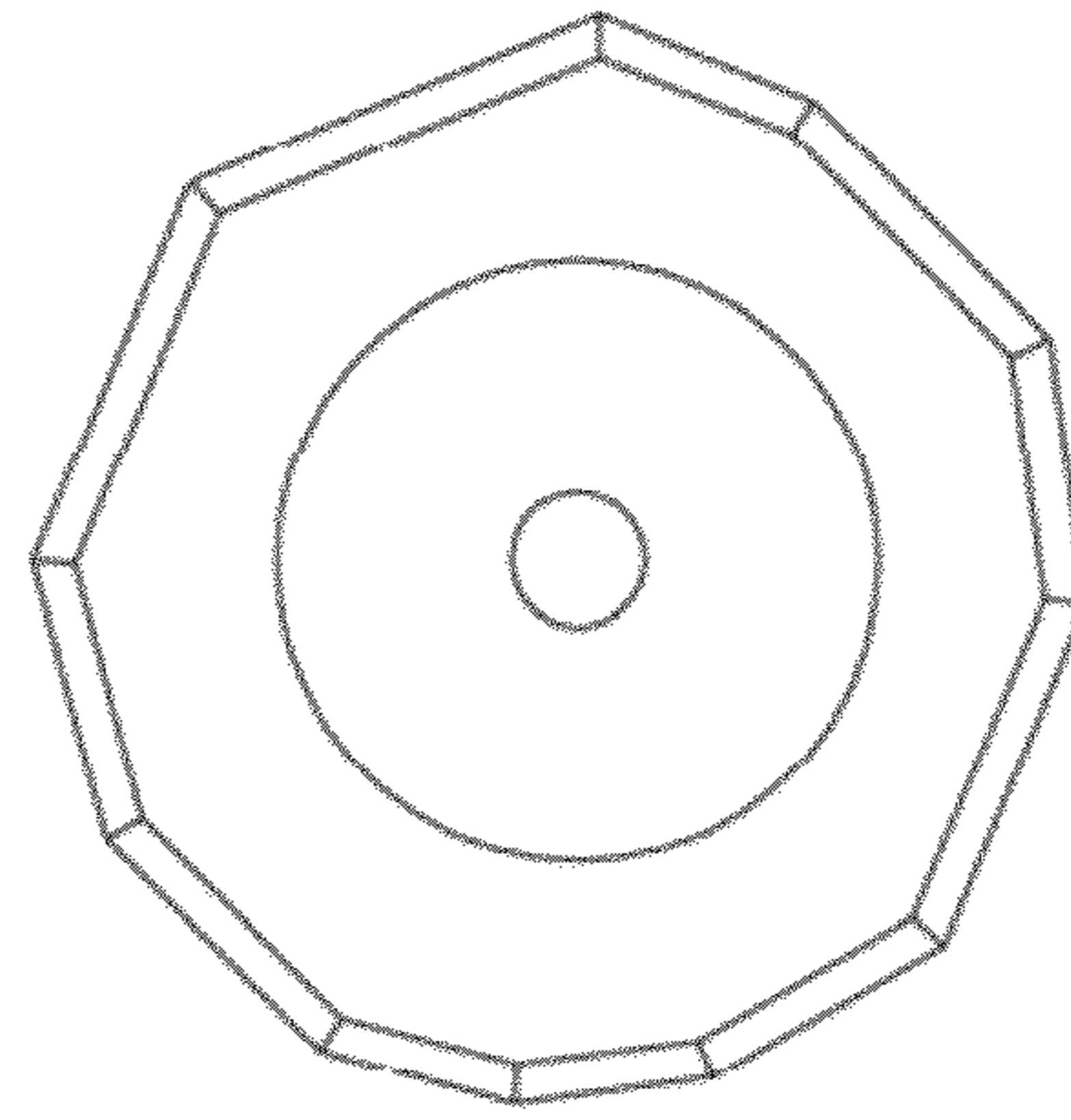


Fig. 2

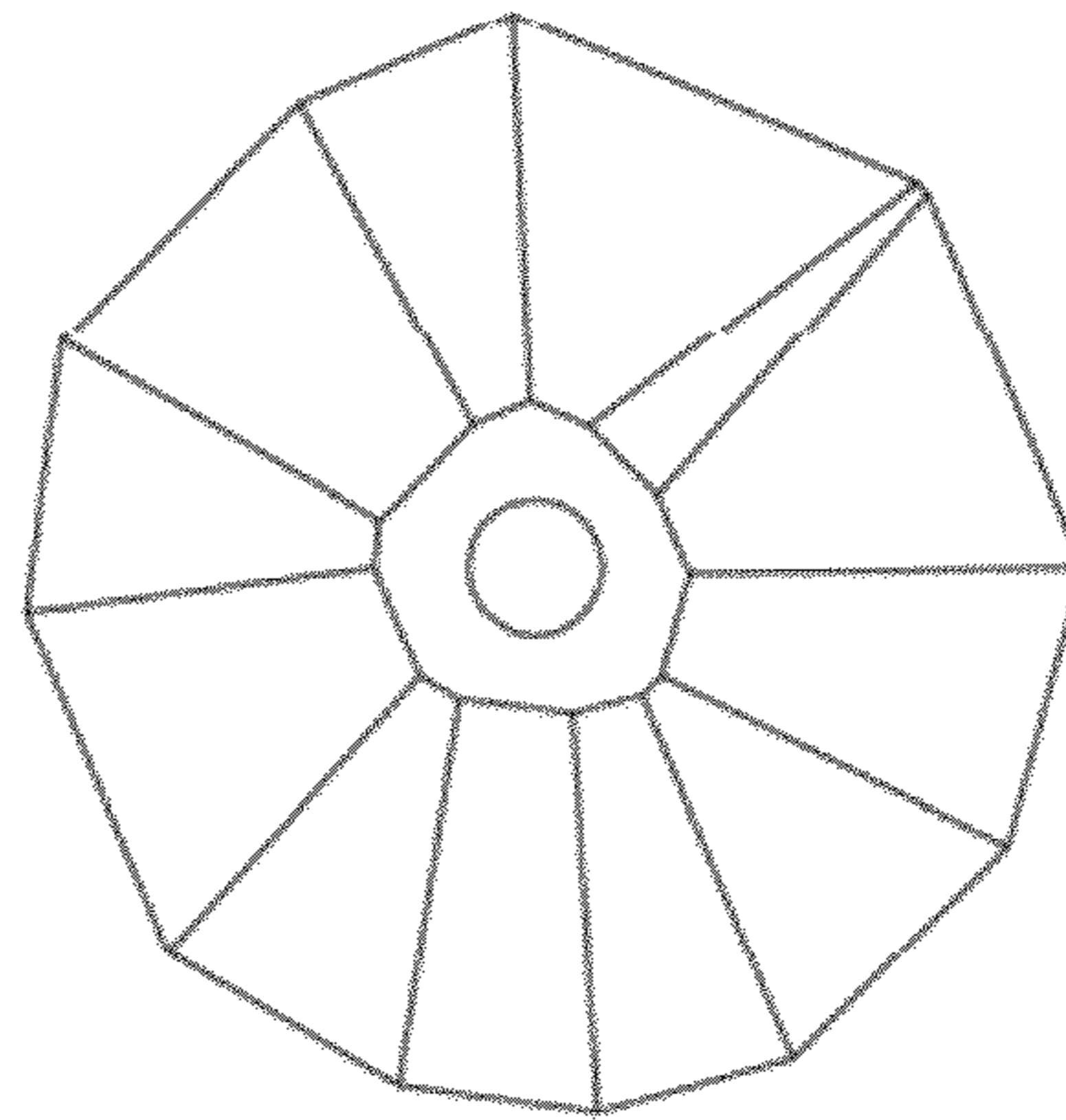


Fig. 4

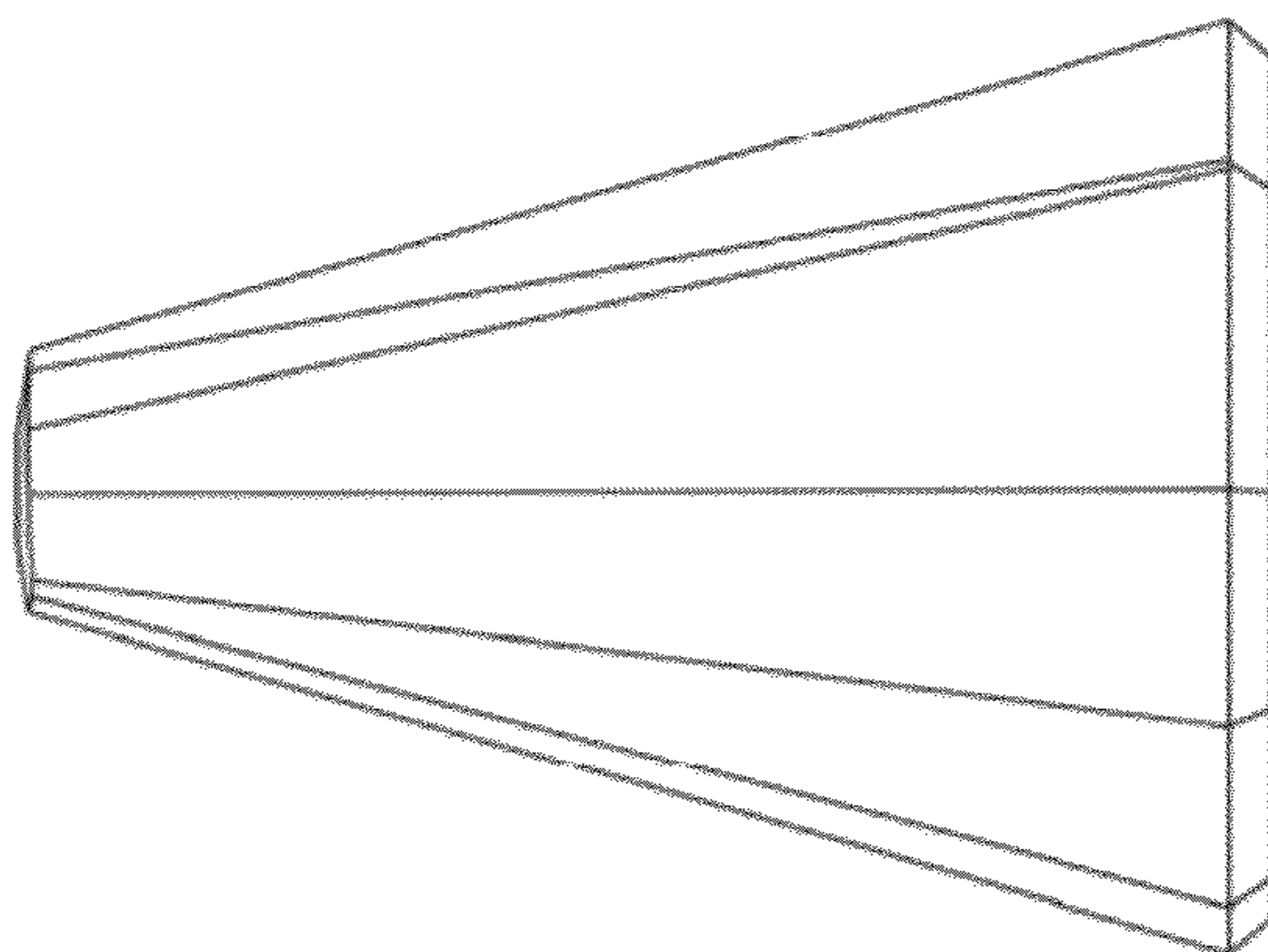


Fig. 3

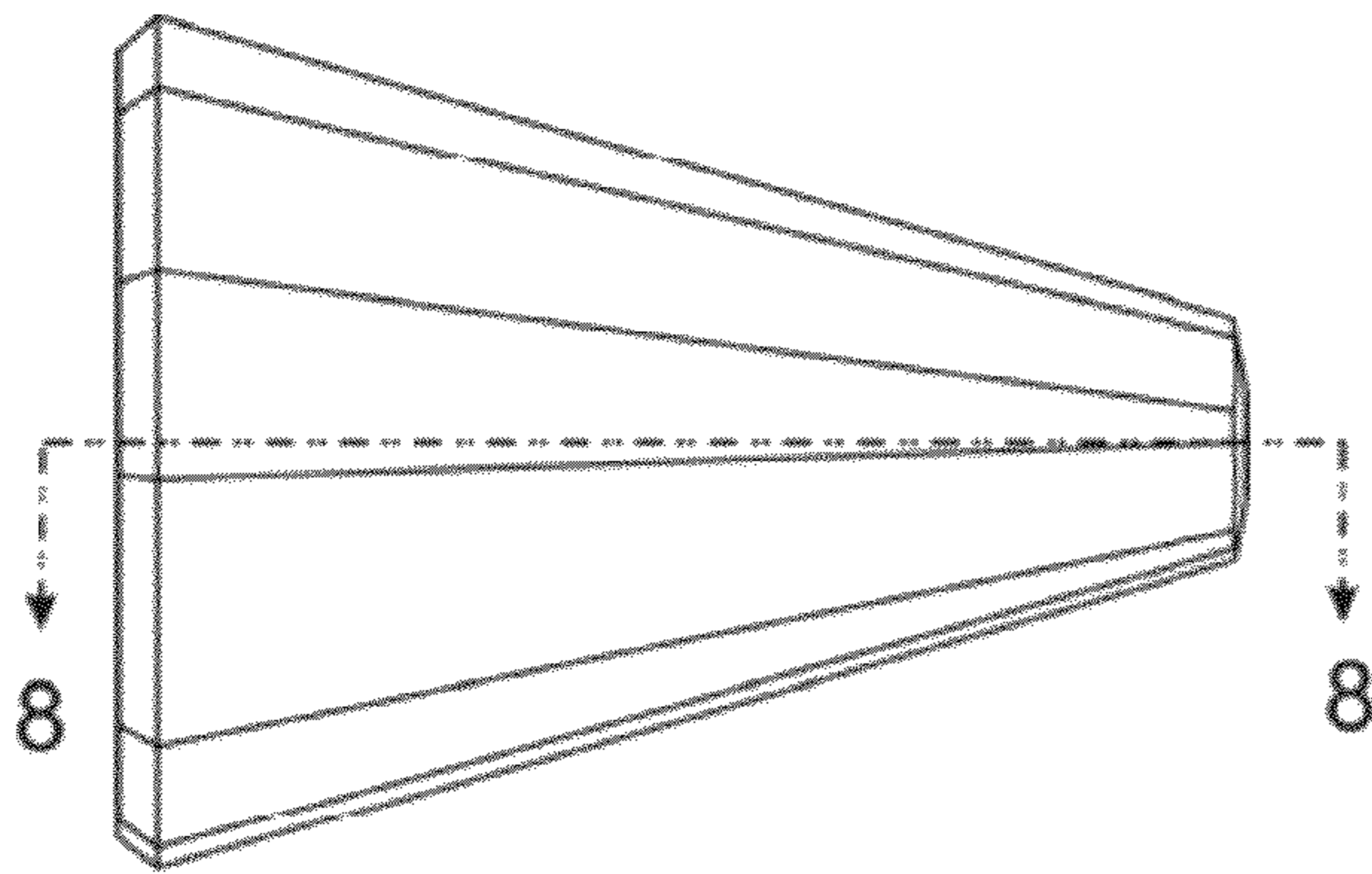


Fig. 5

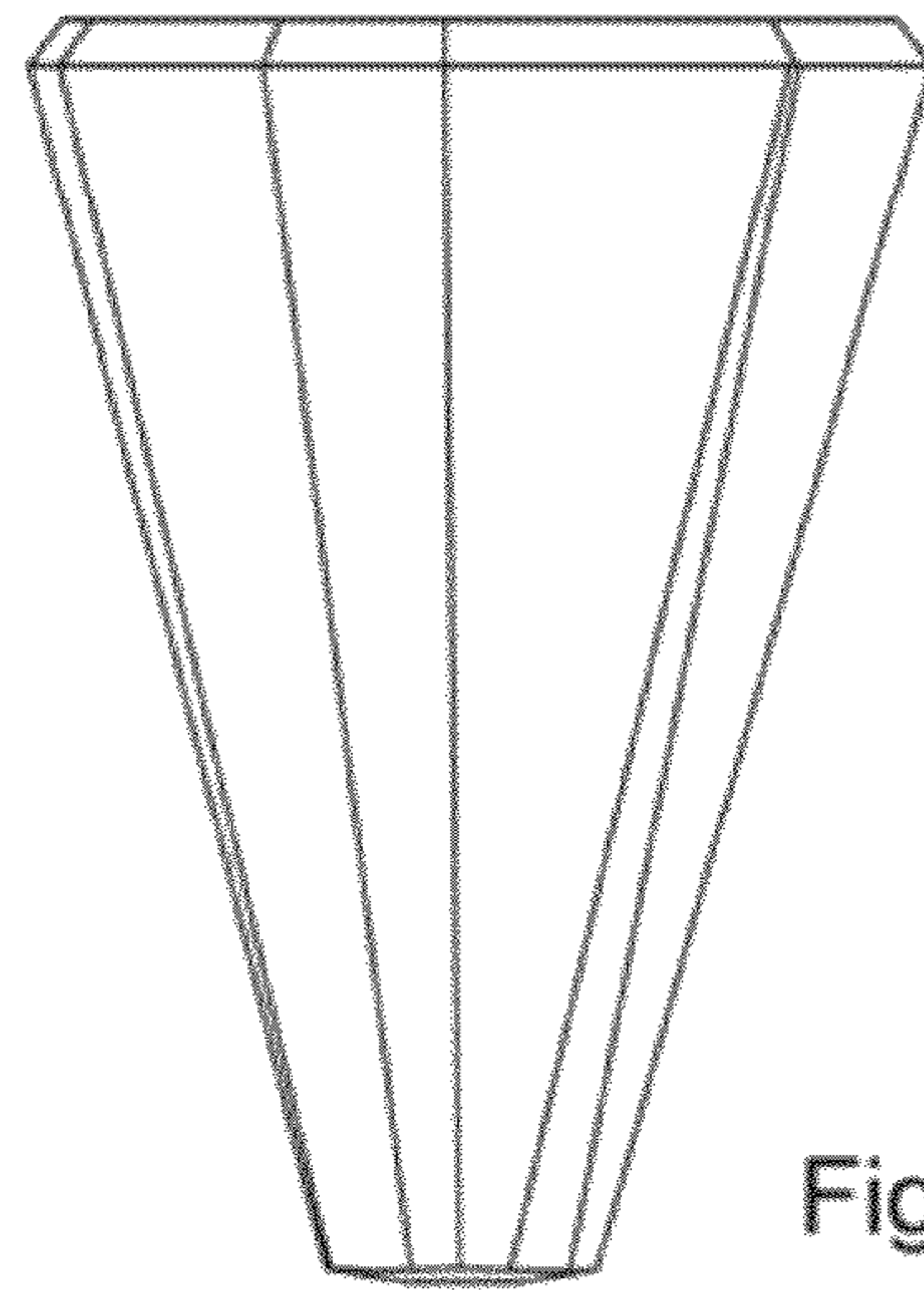


Fig. 6

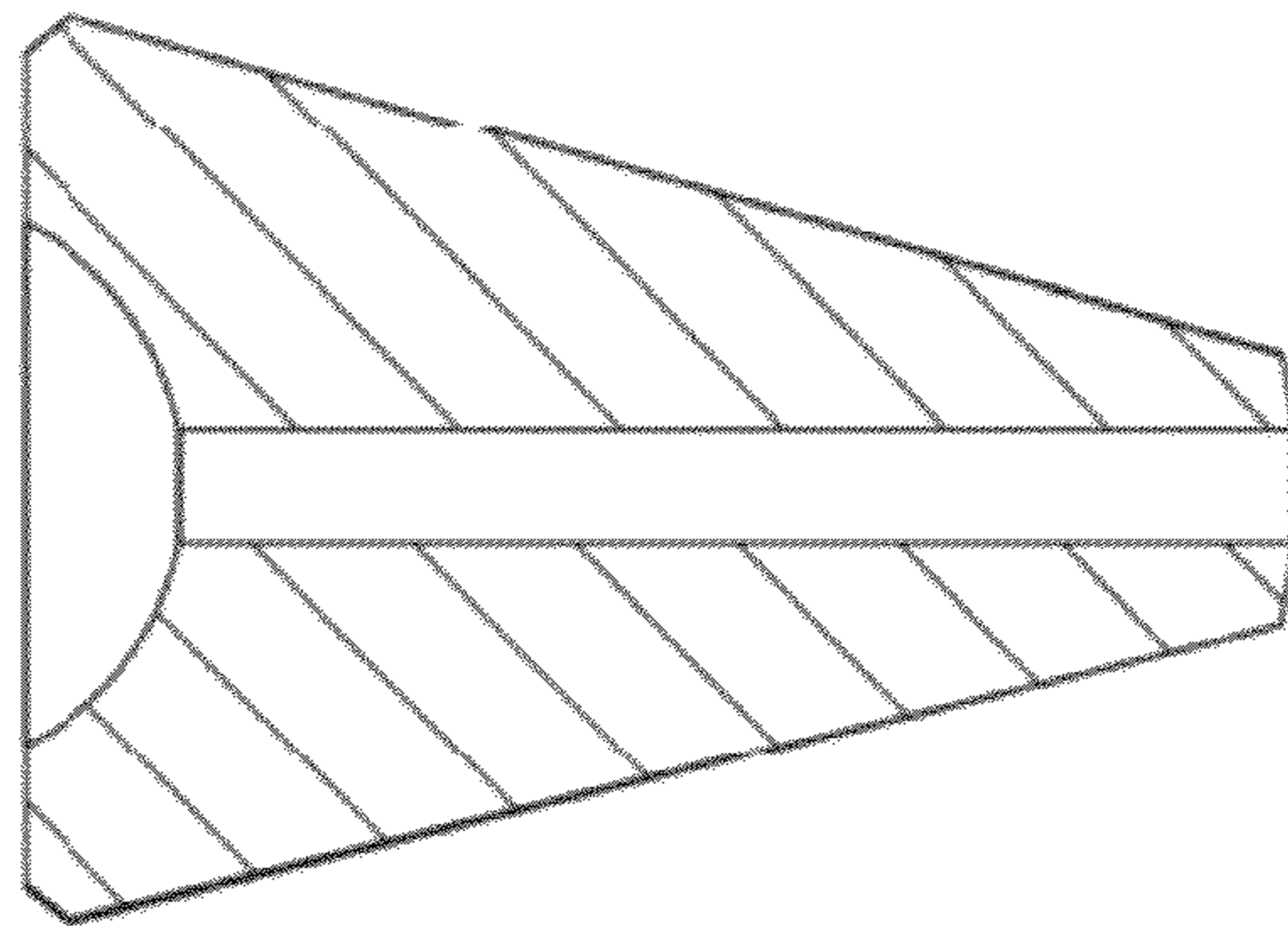


Fig. 8

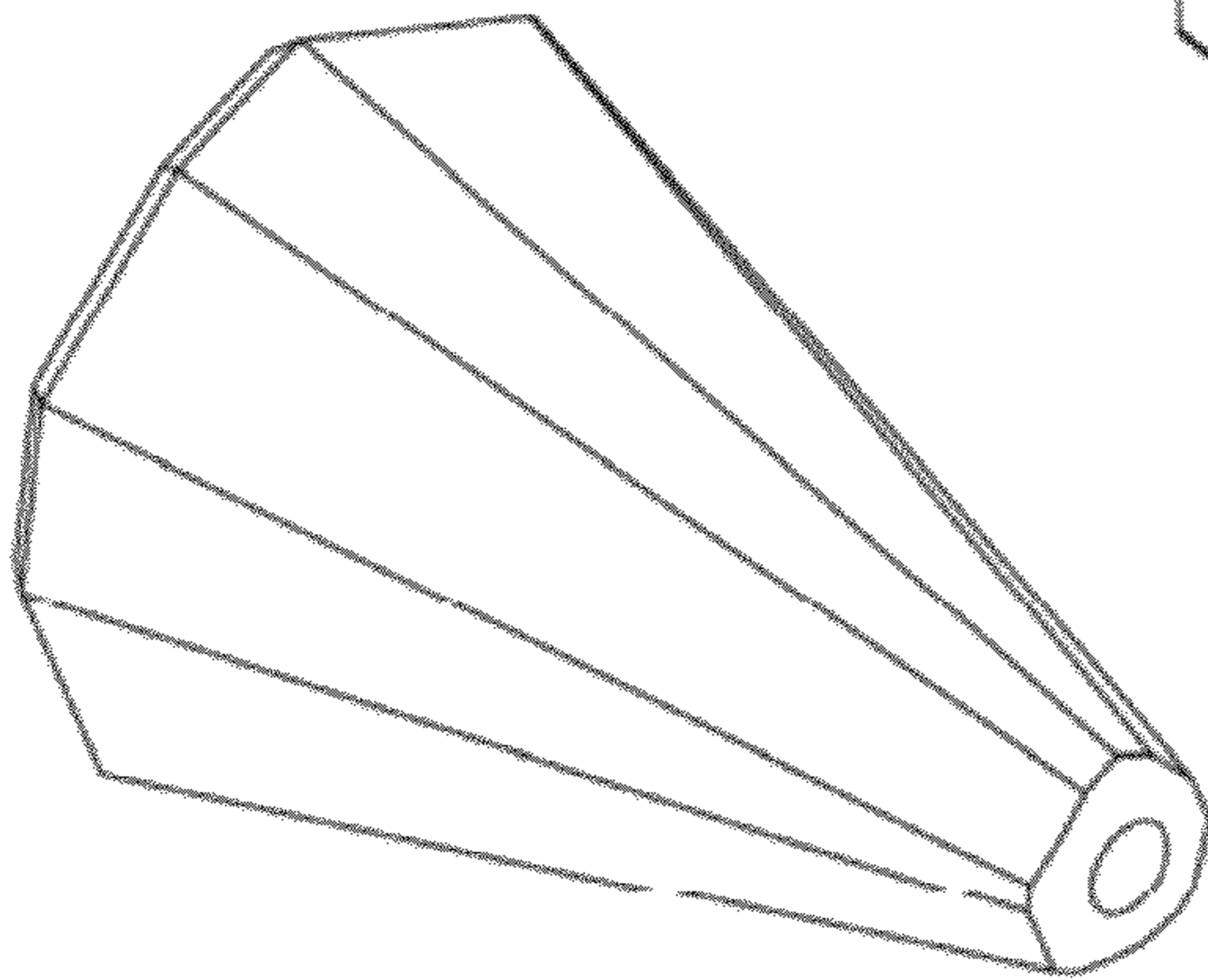


Fig. 7

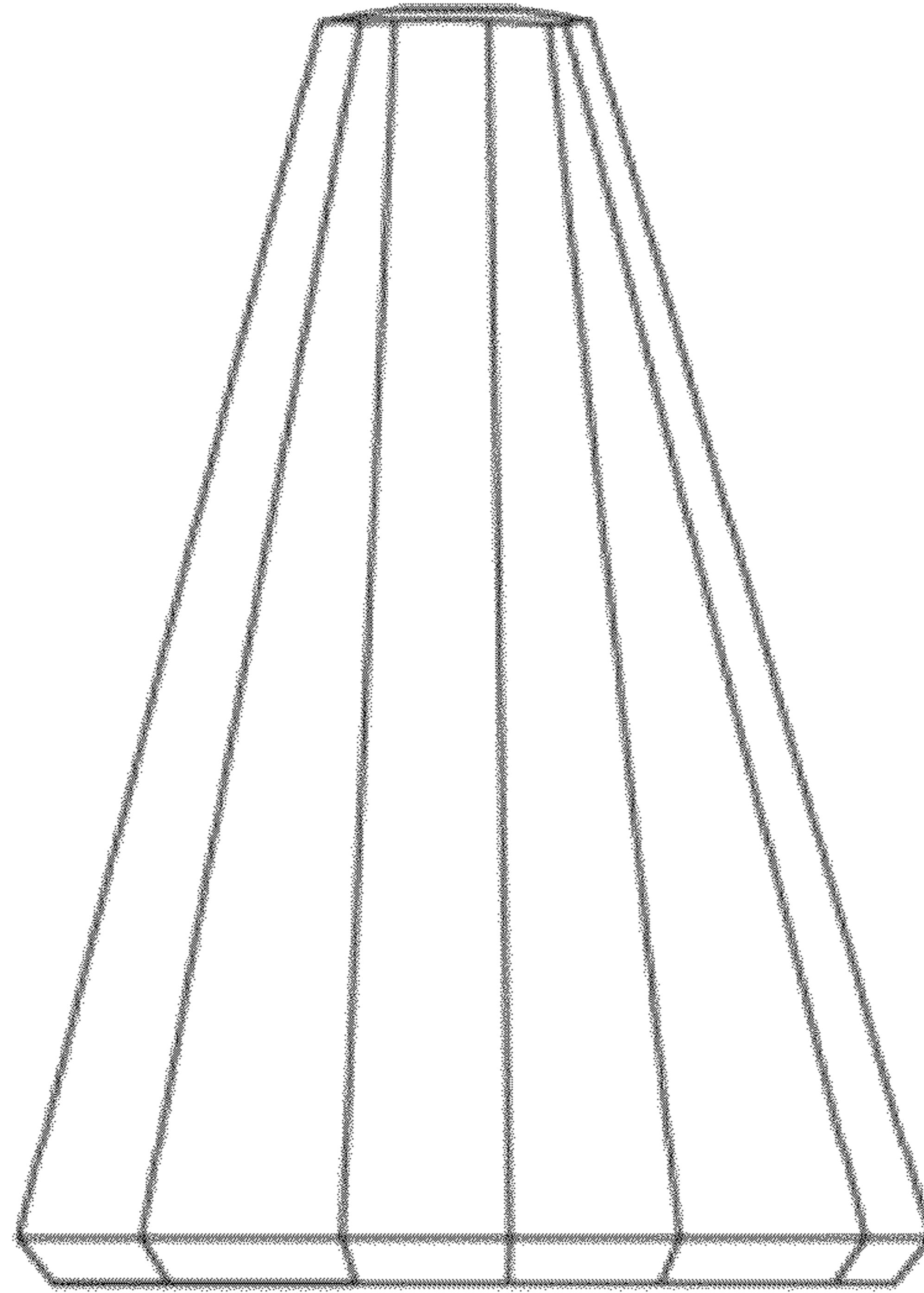


Fig. 9