



US00D658525S

(12) **United States Design Patent**  
**Choi et al.**

(10) **Patent No.:** **US D658,525 S**

(45) **Date of Patent:** **\*\* May 1, 2012**

(54) **COVER FOR A PRESSURE SENSOR**

(75) Inventors: **You-Sik Choi**, Daegu (KR);  
**Young-Woon Kim**, Daegu (KR)

(73) Assignee: **Tyco Electronics AMP Korea Ltd.**,  
Kyungsangbuk (KR)

(\*\*) Term: **14 Years**

(21) Appl. No.: **29/384,461**

(22) Filed: **Jan. 31, 2011**

(30) **Foreign Application Priority Data**

Aug. 2, 2010 (KR) ..... 30-2010-0033690

(51) **LOC (9) Cl.** ..... **10-04**

(52) **U.S. Cl.** ..... **D10/103; D13/156**

(58) **Field of Classification Search** ..... D10/85-86,  
D10/103; 91/394, 395, 407, 408; 92/5 L,  
92/15-17, 28, 51, 52, 68, 88, 128, 137, 143,  
92/165 PR, 168, 169, 177; D15/143; D23/233;  
137/625.64, 625.65, 596.13, 506.16, 271,  
137/343, 136; 174/50, 54; 361/658; 439/76.1;  
73/700, 753; 220/4.02; D13/156, 184

See application file for complete search history.

(56) **References Cited**

U.S. PATENT DOCUMENTS

5,814,765 A 9/1998 Bauer et al.  
D400,861 S \* 11/1998 Nakamura ..... D13/156  
2009/0038399 A1 2/2009 Watanabe

FOREIGN PATENT DOCUMENTS

JP 2005-43367 2/2005

\* cited by examiner

*Primary Examiner* — Antoine D Davis

(74) *Attorney, Agent, or Firm* — Barley Snyder

(57) **CLAIM**

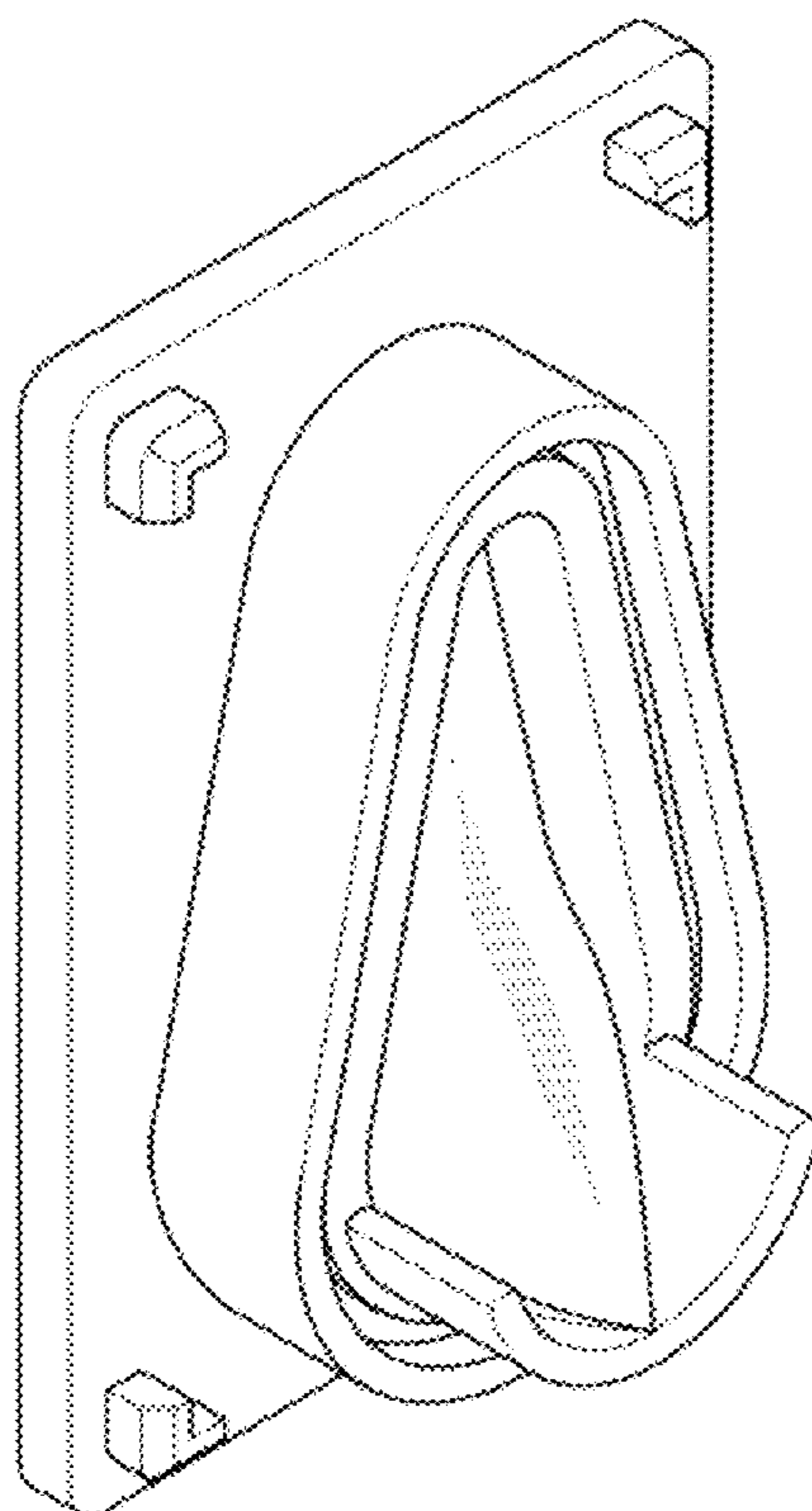
The ornamental design for a cover for a pressure sensor, as shown and described.

**DESCRIPTION**

FIG. 1 is a top, left, and front perspective view of a cover for a pressure sensor, showing the new design; FIG. 2 is a front view thereof; FIG. 3 is a rear view thereof; FIG. 4 is a left-side view thereof; FIG. 5 is a right-side view thereof; FIG. 6 is a top plan view thereof; FIG. 7 is a bottom plan view thereof; and, FIG. 8 is a top, right, and front perspective view thereof, in use.

The broken lines shown in the drawings are included for the purpose of illustrating environmental structure and form no part of the claimed design.

**1 Claim, 8 Drawing Sheets**



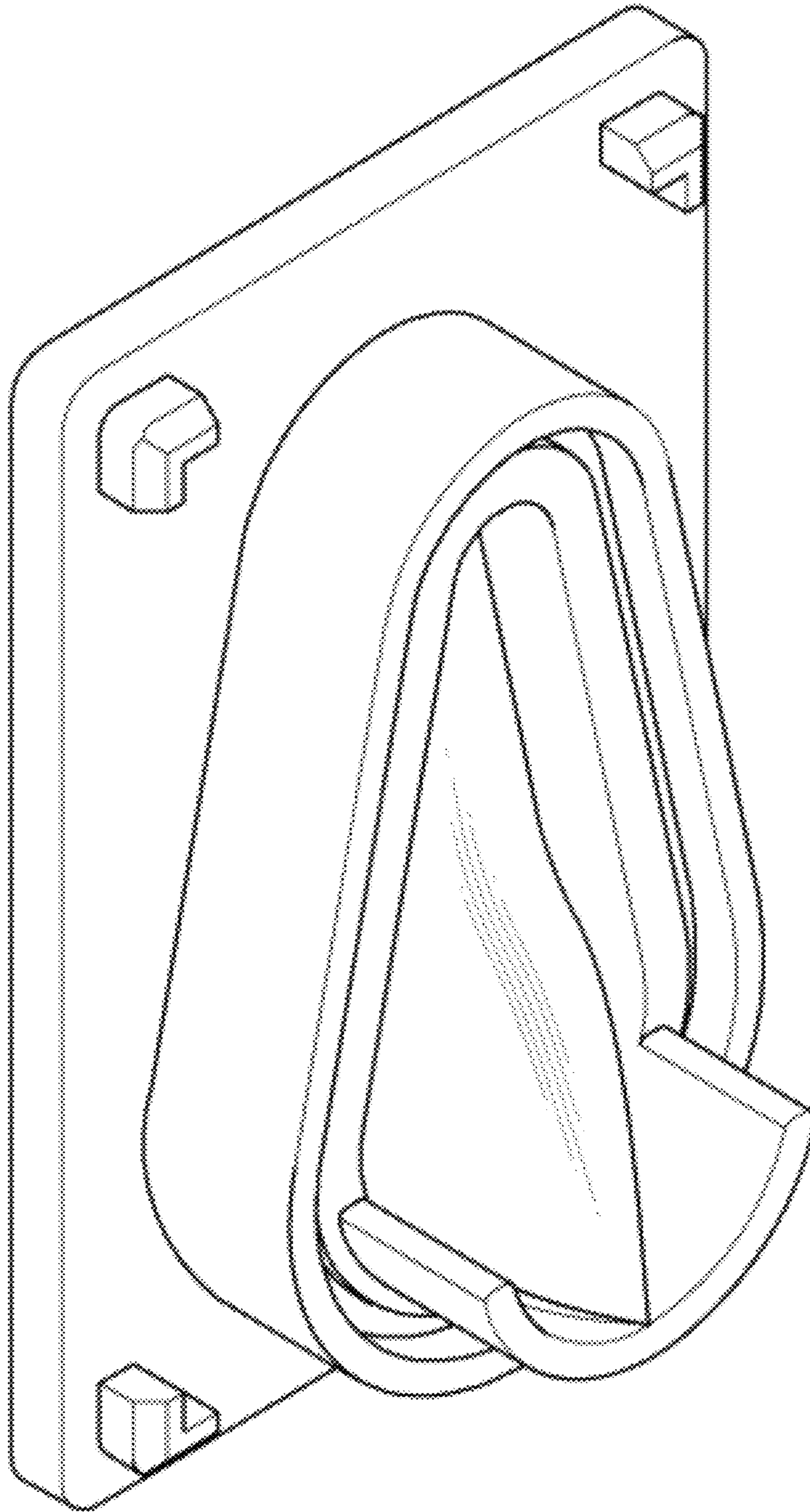


FIG. 1

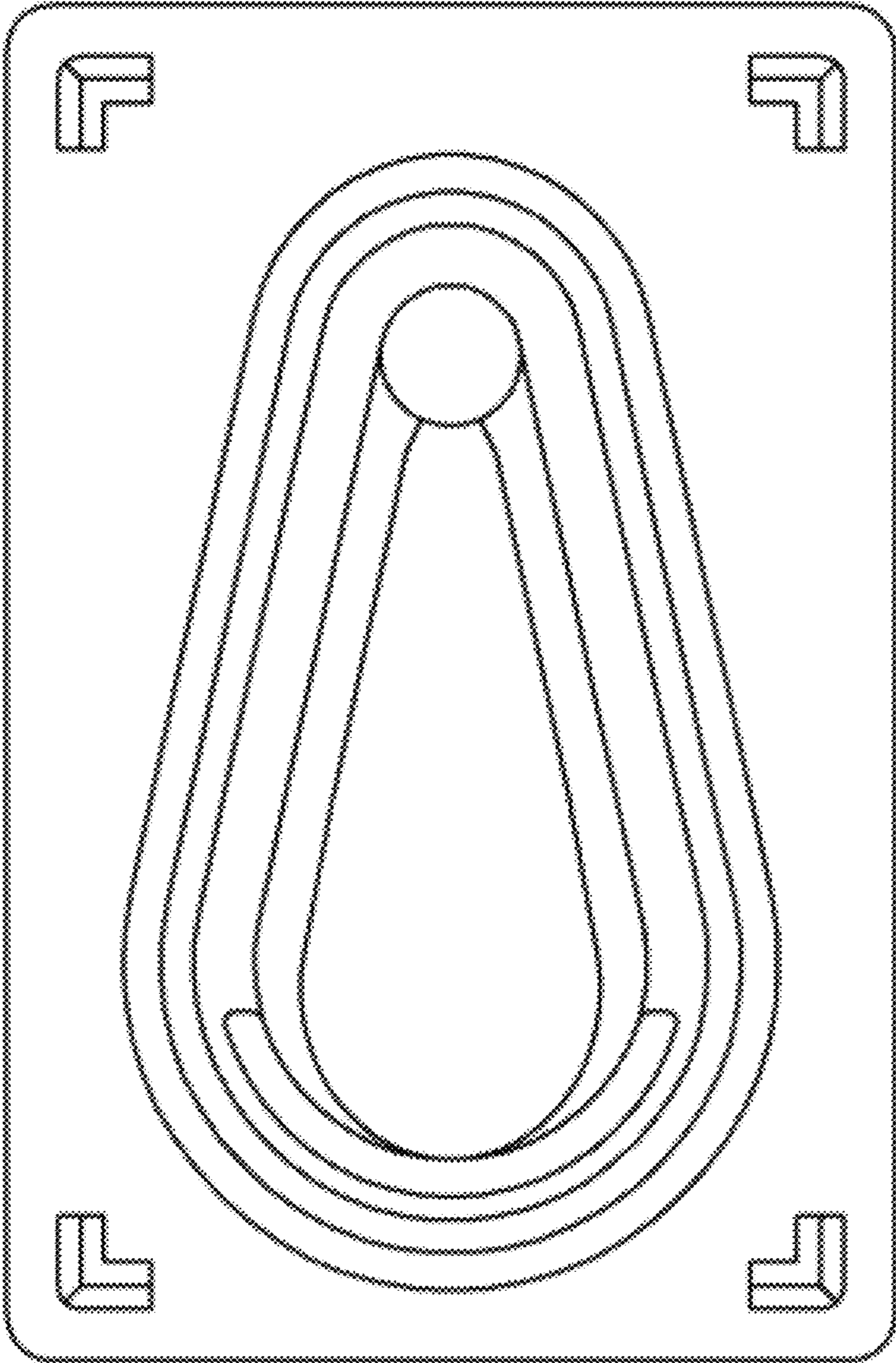


FIG. 2



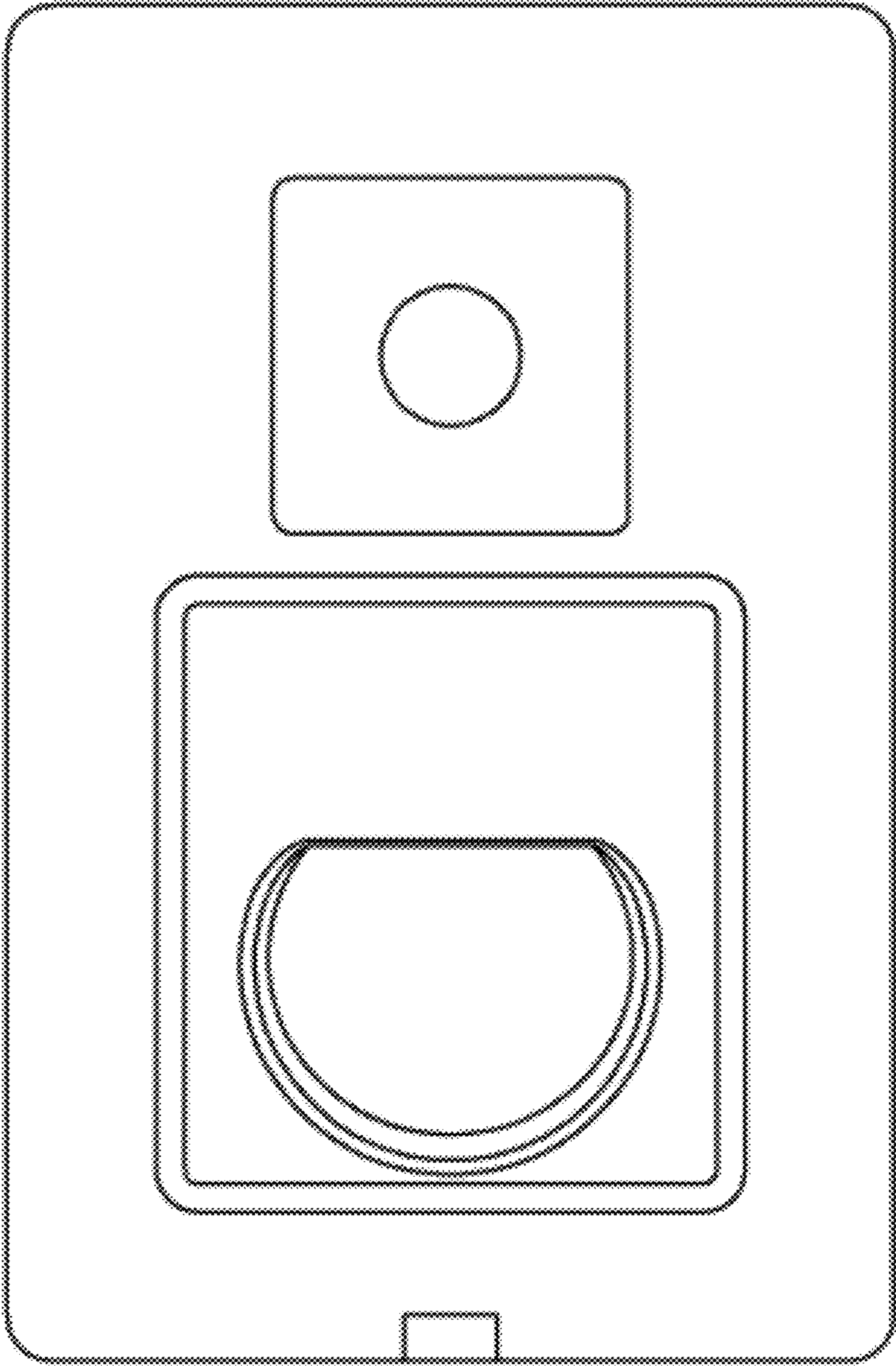


FIG. 3

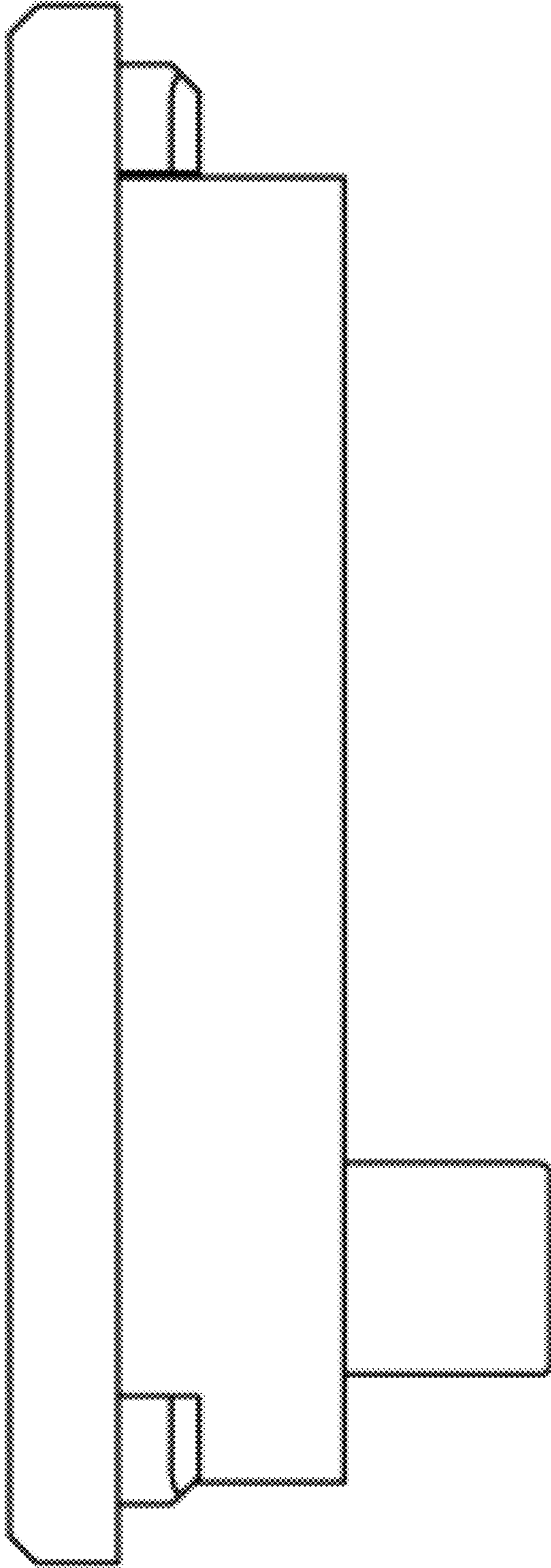


FIG. 4

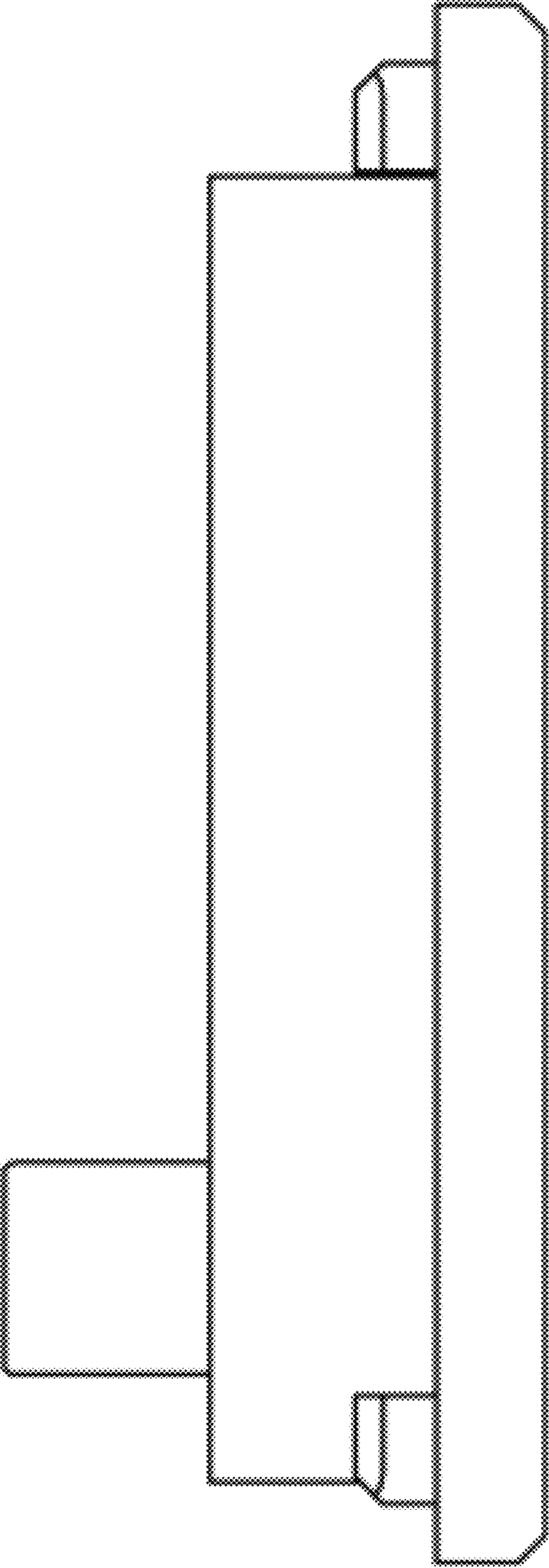


FIG. 5

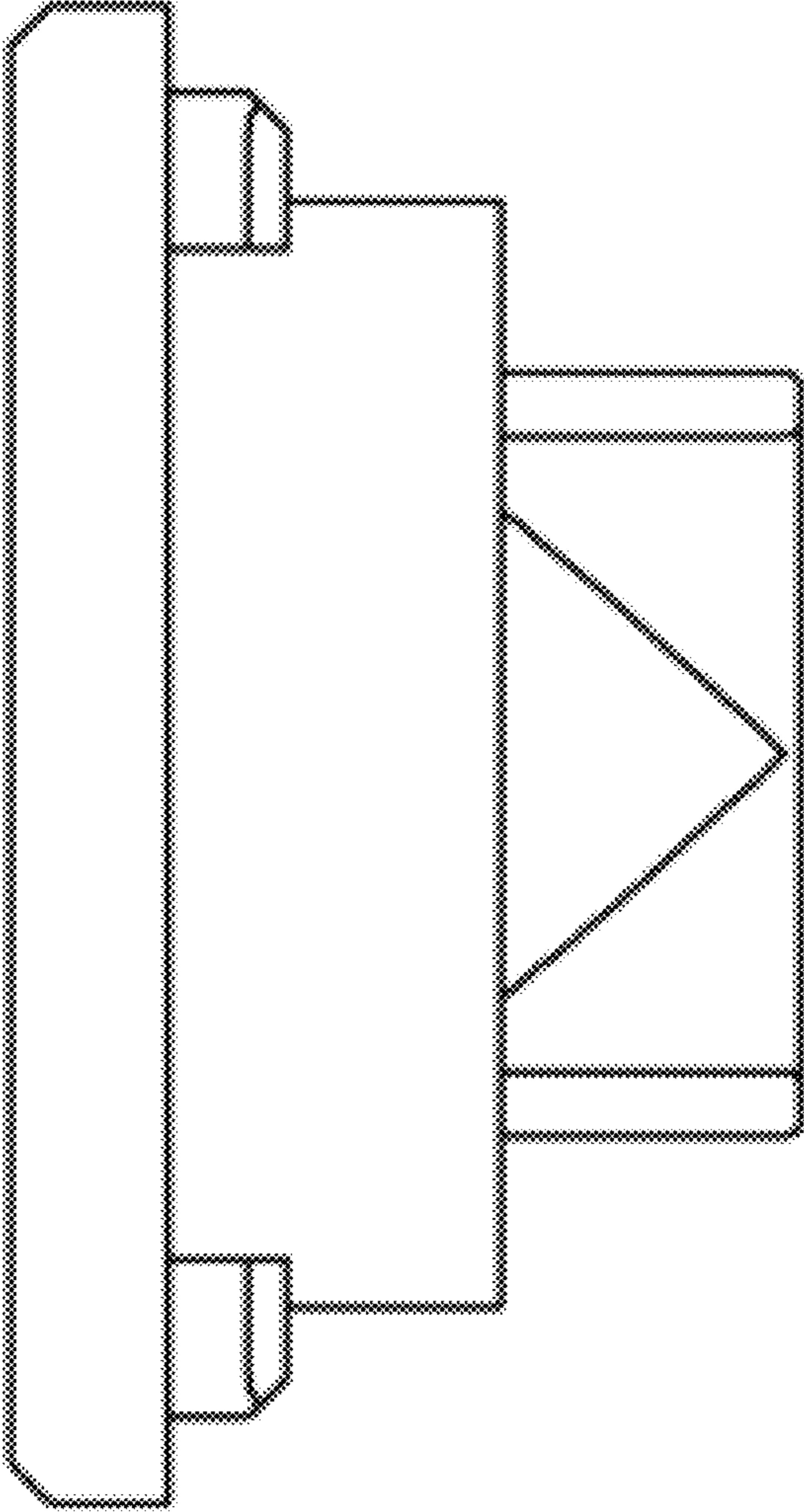


FIG. 6

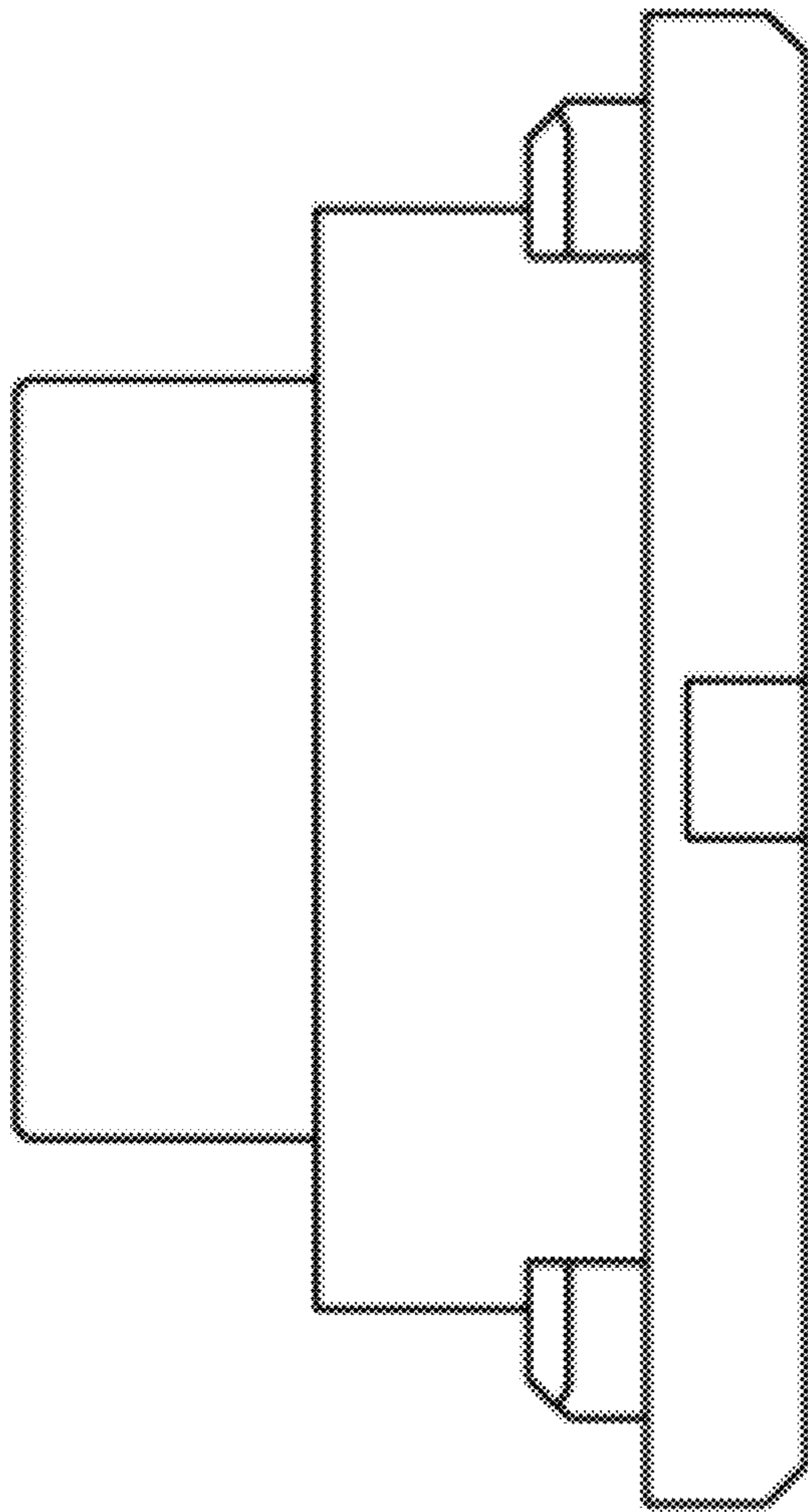


FIG. 7



FIG. 8

