



US00D658523S

(12) **United States Design Patent**
Lan

(10) **Patent No.:** **US D658,523 S**

(45) **Date of Patent:** **** May 1, 2012**

(54) **NAVIGATION HOLDER**

(75) Inventor: **Shun-Chien Lan**, New Taipei (TW)

(73) Assignee: **Cheng Uei Precision Industry Co., Ltd.**, New Taipei (TW)

(**) Term: **14 Years**

(21) Appl. No.: **29/389,792**

(22) Filed: **Apr. 15, 2011**

(51) **LOC (9) Cl.** **10-04**

(52) **U.S. Cl.** **D10/74**

(58) **Field of Classification Search** D8/349;
D10/74; D14/347; 73/178 R; 248/346.01,
248/671, 904, 314, 309.1, 689, 670, 122.1,
248/125.1, 128, 130, 133, 139, 176.1, 313;
340/995; 342/351, 419, 457, 357.06–357.13;
343/702; 345/87, 104, 133, 156, 168, 173,
345/901–905; 348/180, 184, 315, 739; 364/200,
364/434, 443, 444, 449, 451, 708.1, 709.1;
701/206–209, 213–214; 206/305, 701, 335;
220/810–817; 224/400, 483, 282, 428–462

See application file for complete search history.

(56) **References Cited**

U.S. PATENT DOCUMENTS

D627,245 S * 11/2010 Corn et al. D10/74
2010/0288297 A1 * 11/2010 Stern et al. 132/221
* cited by examiner

Primary Examiner — Antoine D Davis
(74) *Attorney, Agent, or Firm* — Cheng-Ju Chiang

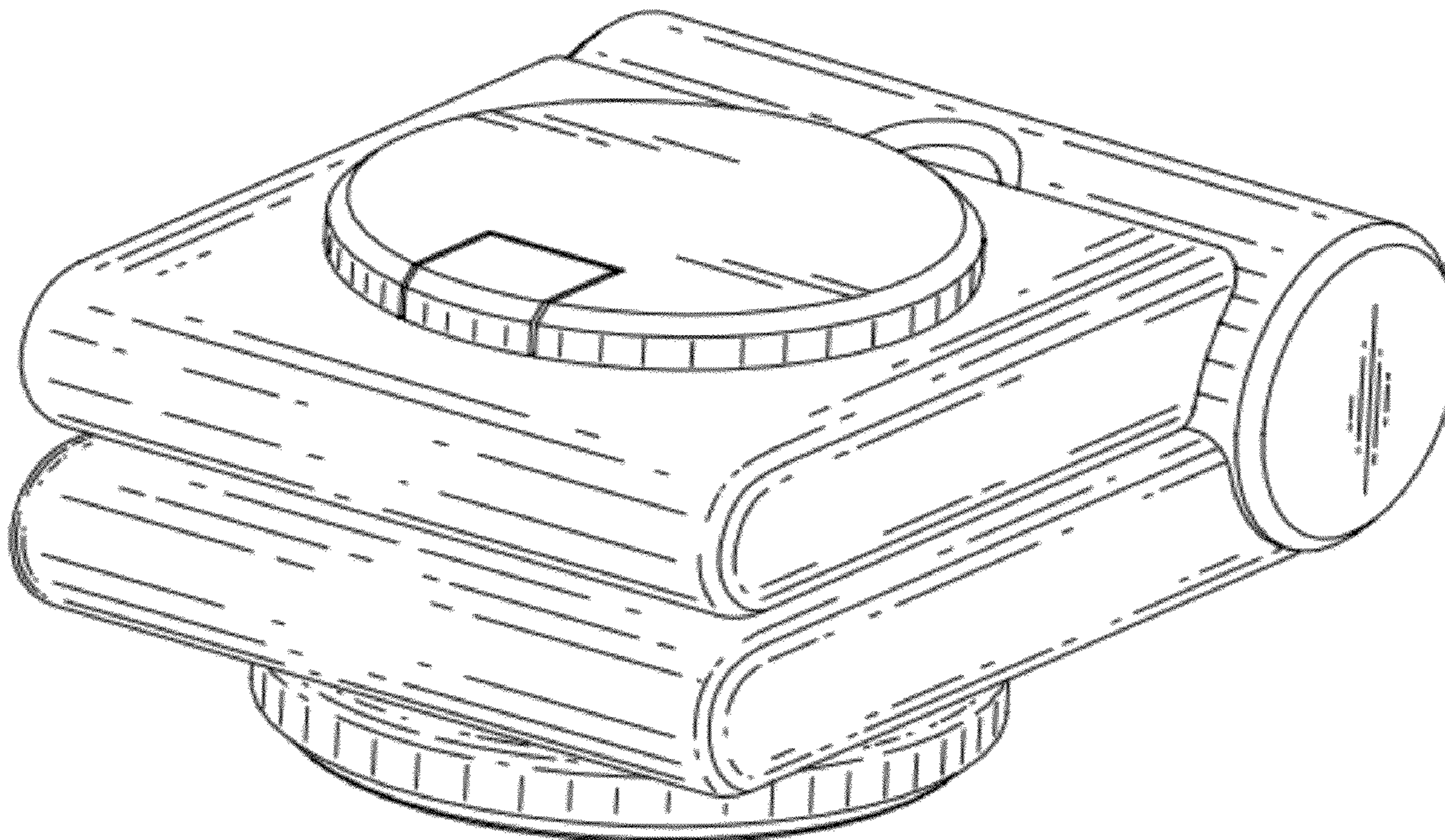
(57) **CLAIM**

The ornamental design for a navigation holder, as shown and described.

DESCRIPTION

FIG. 1 is a perspective view of a navigation holder showing my new design;
FIG. 2 is a front elevational view thereof;
FIG. 3 is a rear elevational view thereof;
FIG. 4 is a left side elevational view thereof;
FIG. 5 is a right side elevational view thereof;
FIG. 6 is a top plan view thereof;
FIG. 7 is a bottom plan view thereof; and,
FIG. 8 is a perspective view showing the navigation holder in an opening state.
The broken line portion of the figure drawings is included to show unclaimed subject matter only and forms no part of the claimed design.

1 Claim, 8 Drawing Sheets



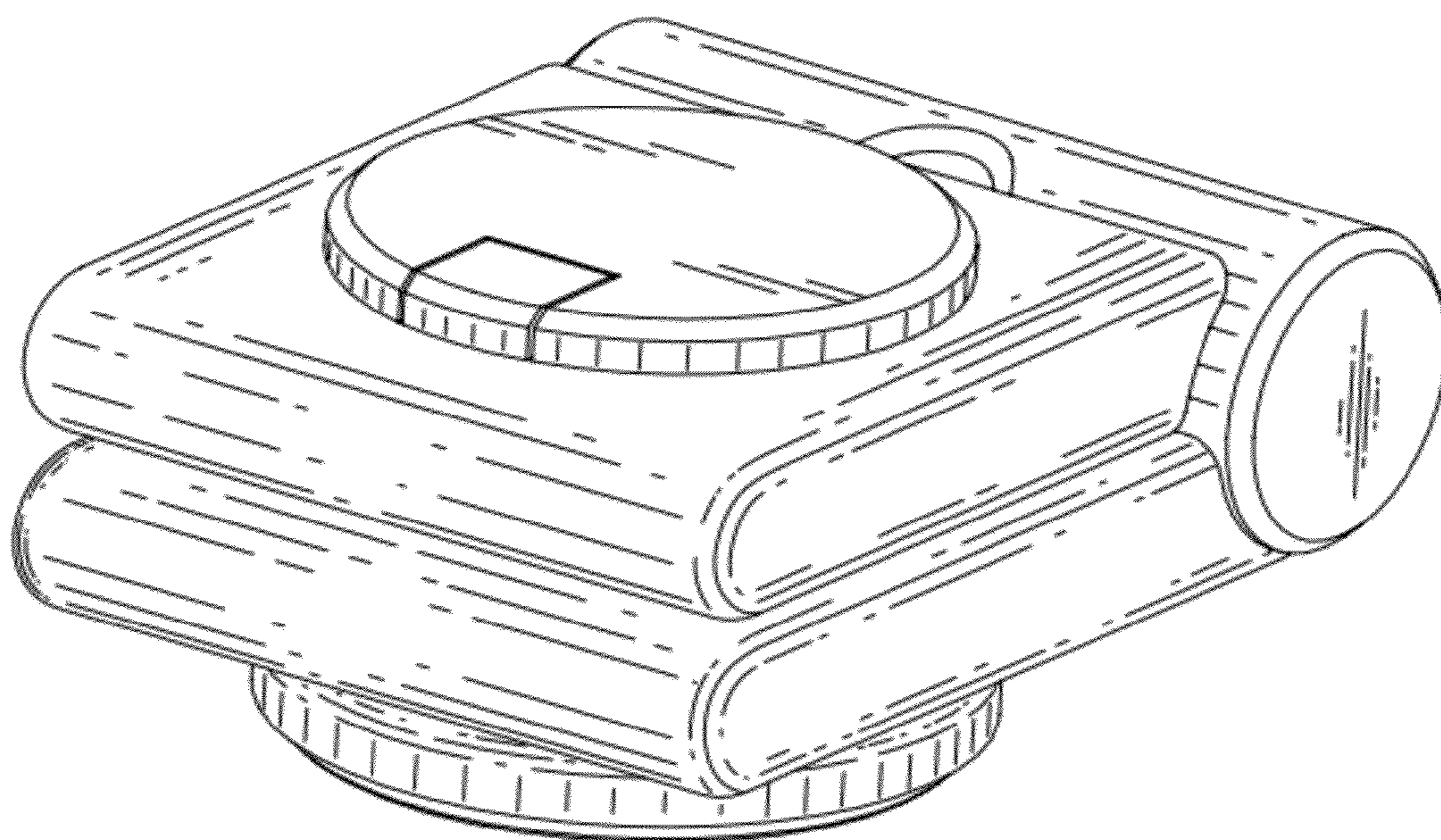


FIG. 1

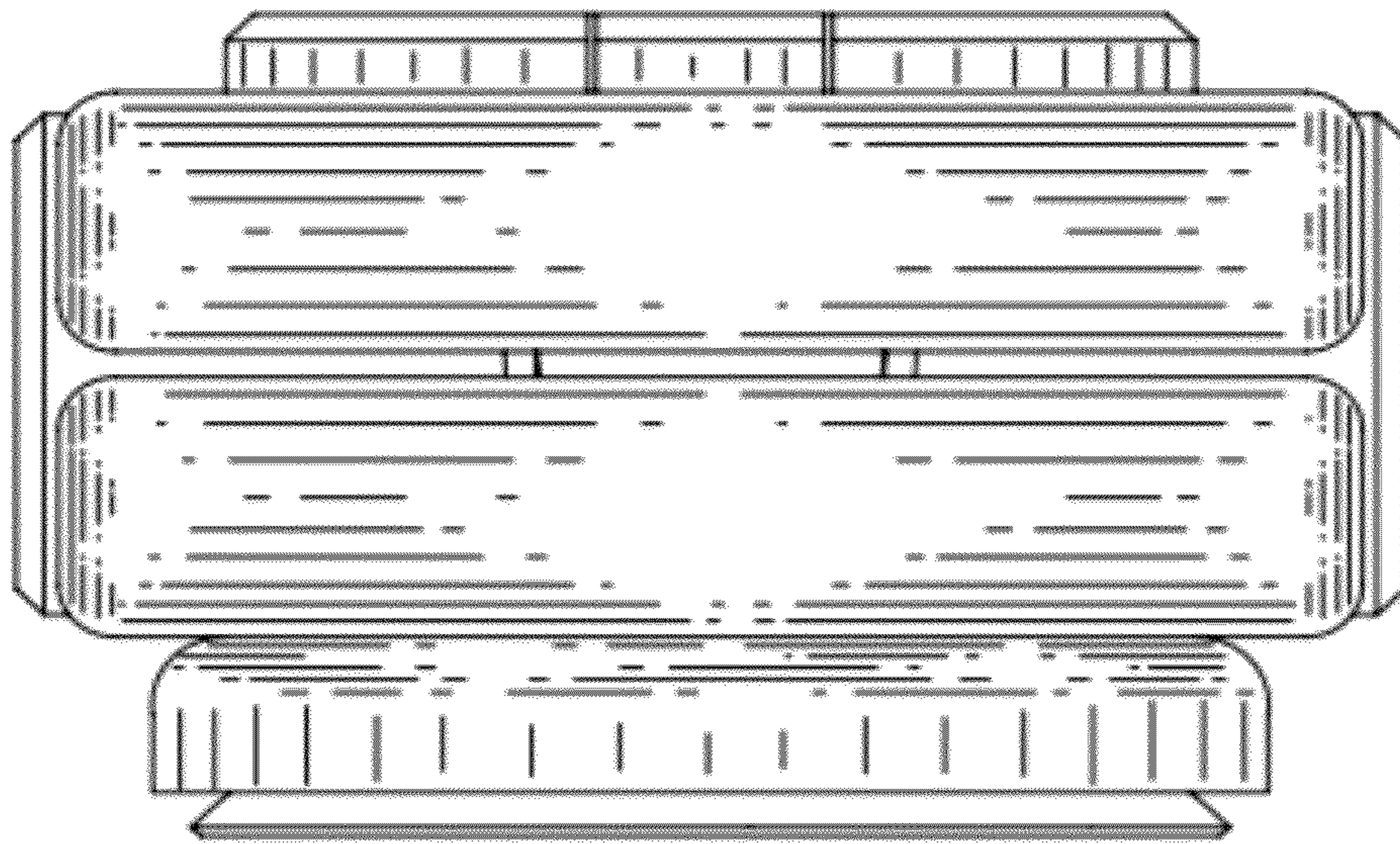


FIG. 2

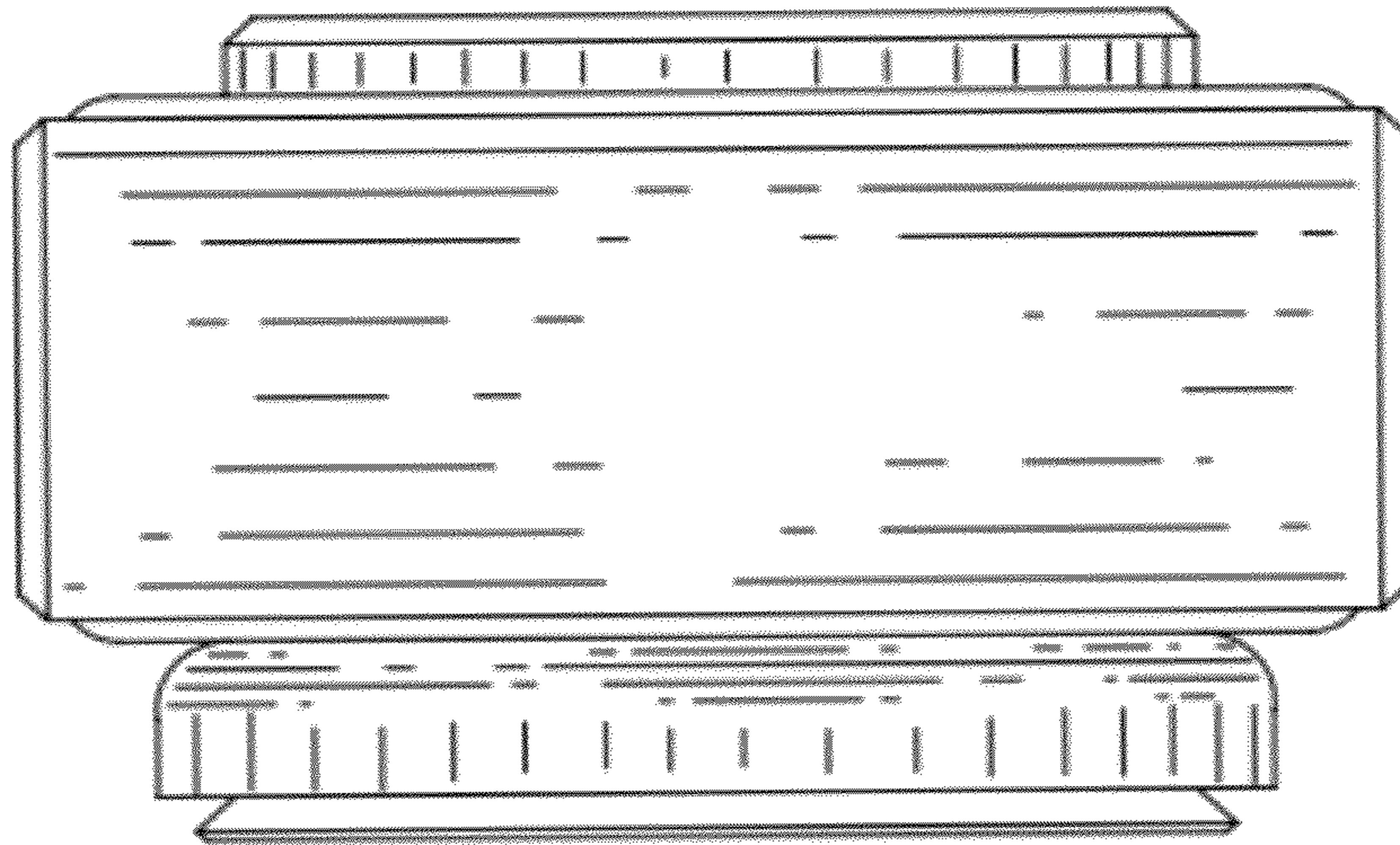


FIG. 3

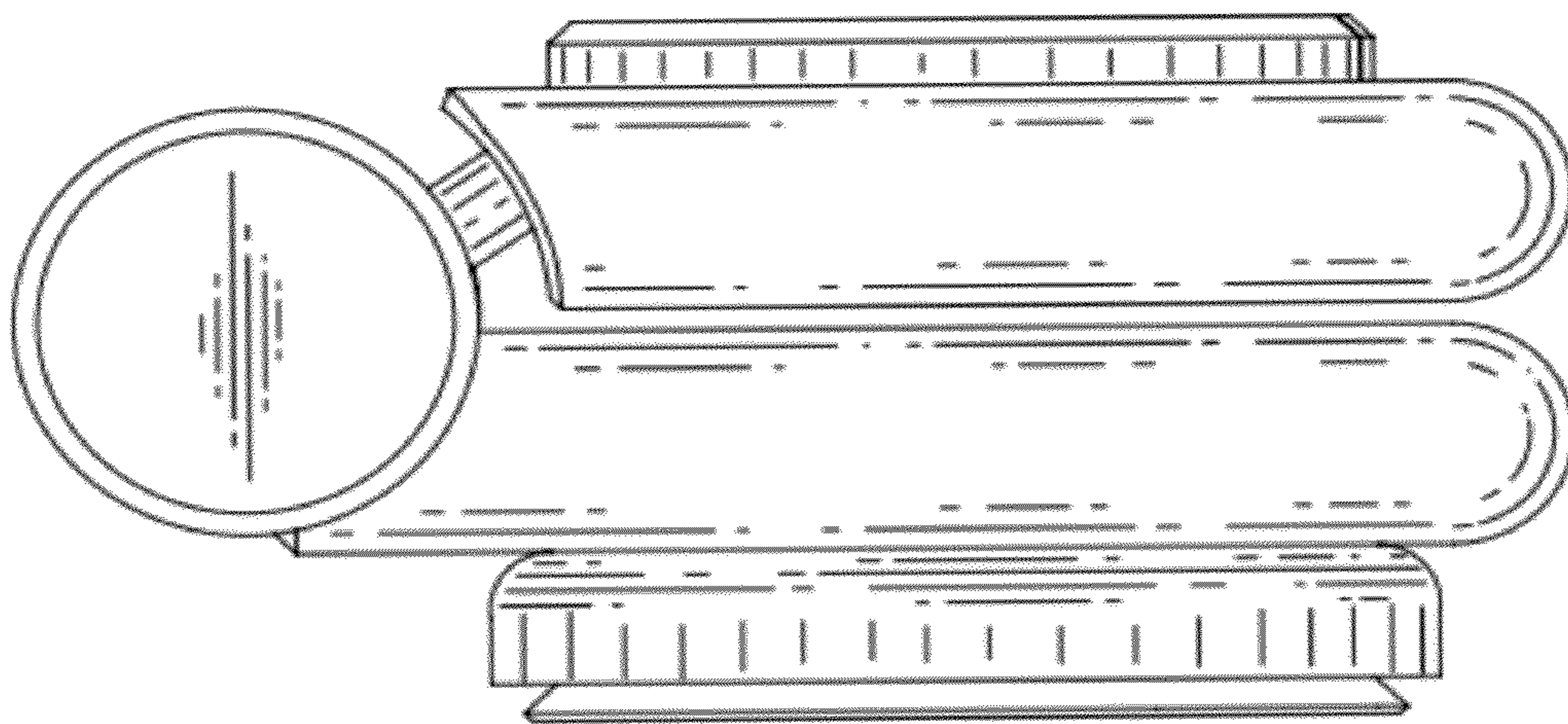


FIG. 4

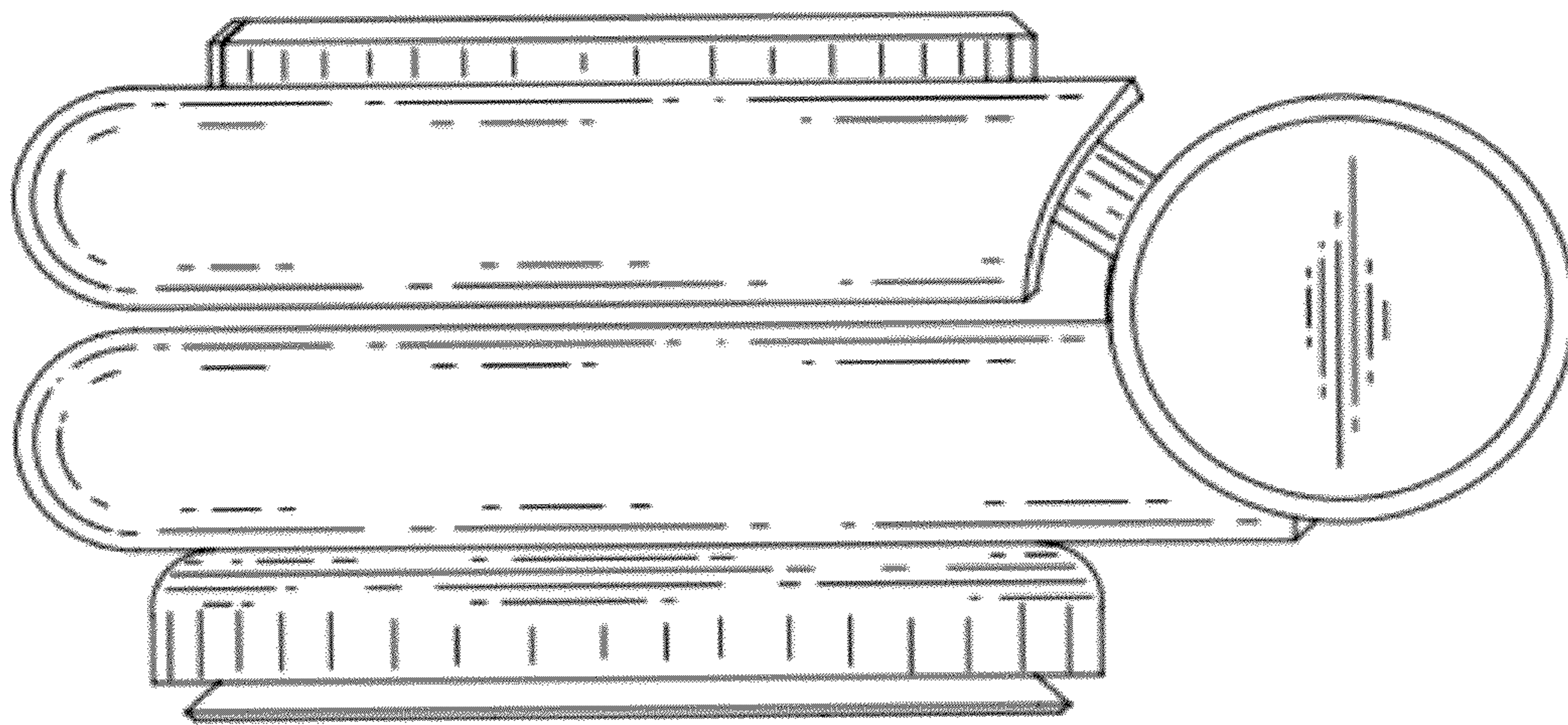


FIG. 5

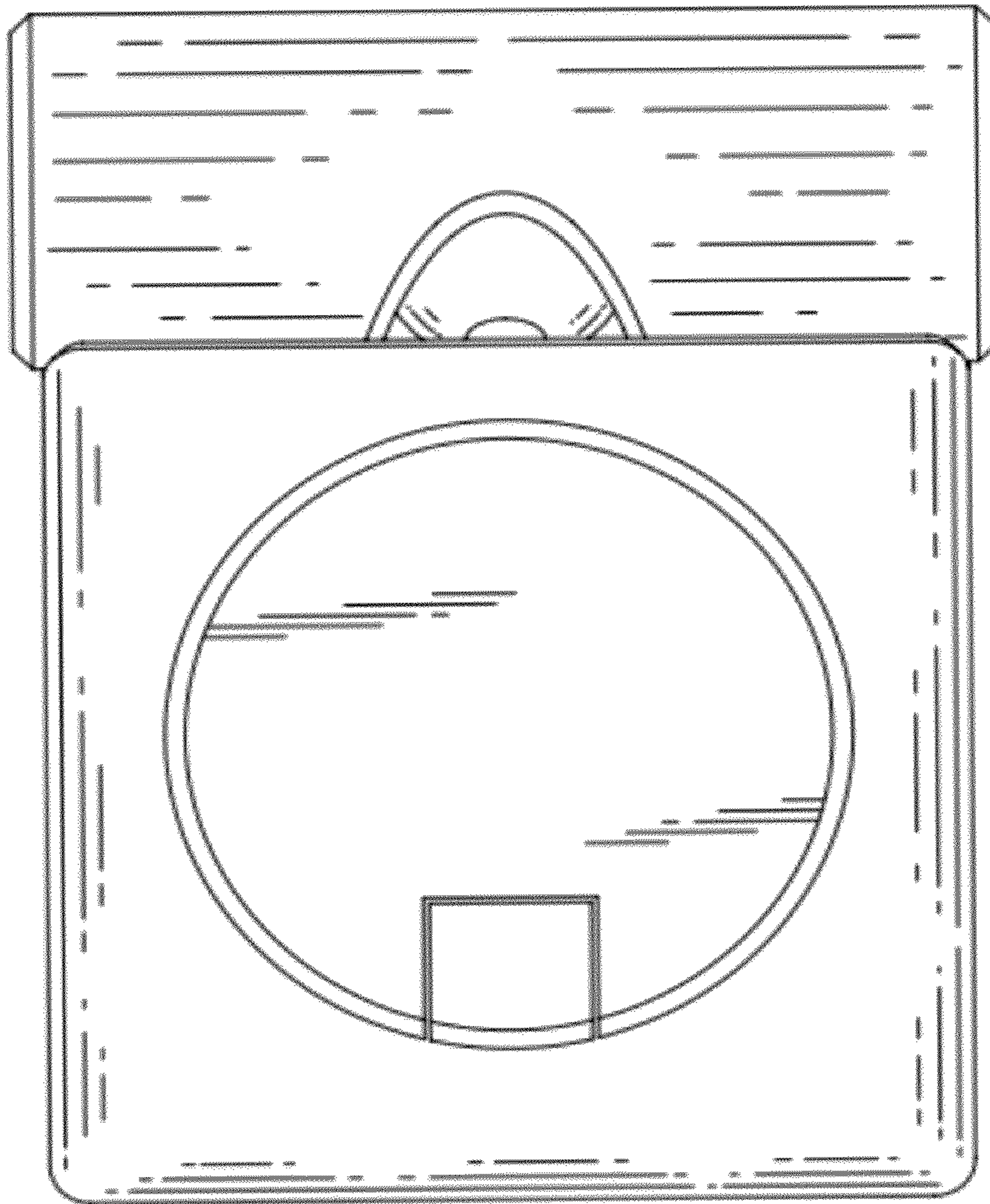


FIG. 6

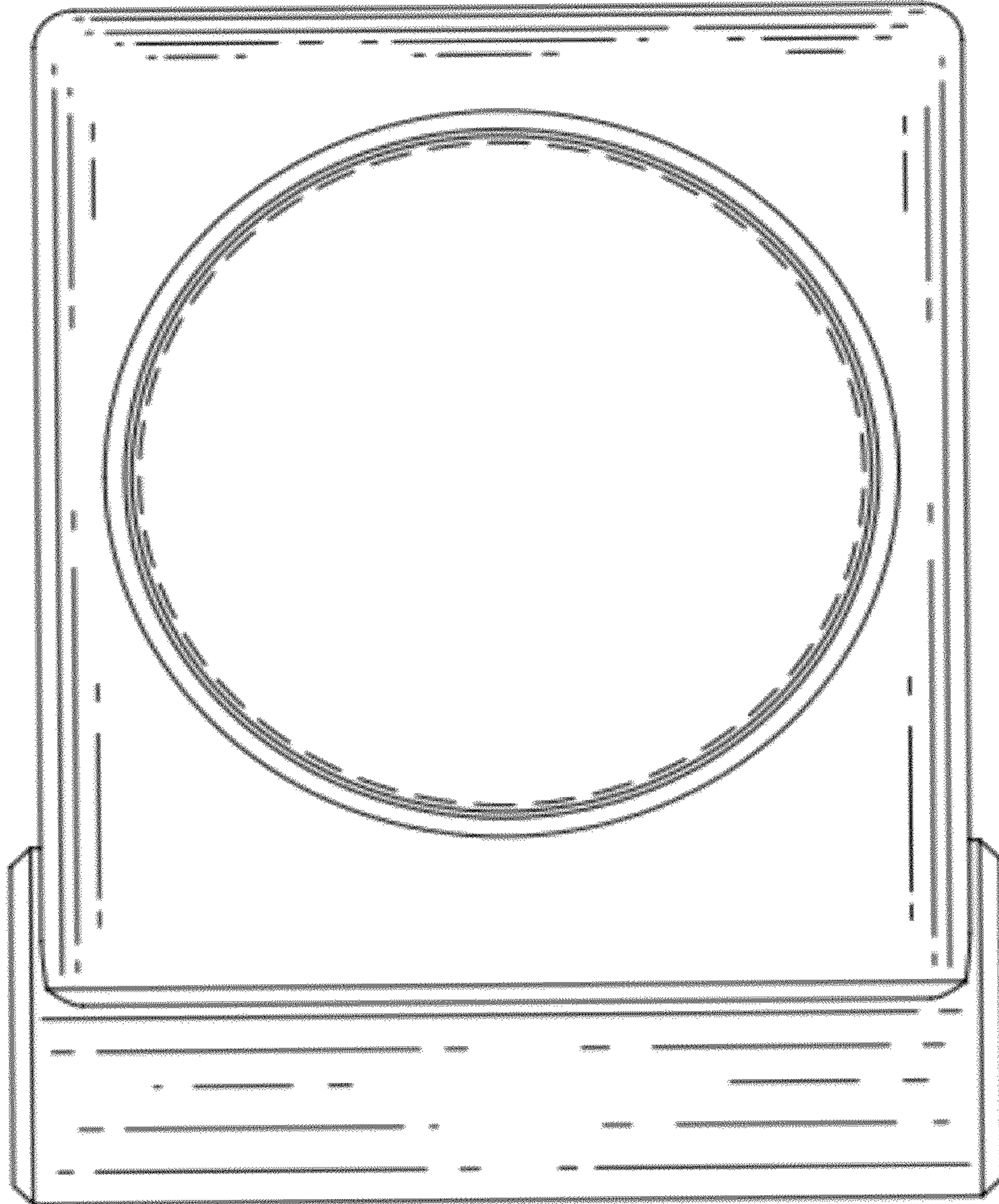


FIG. 7

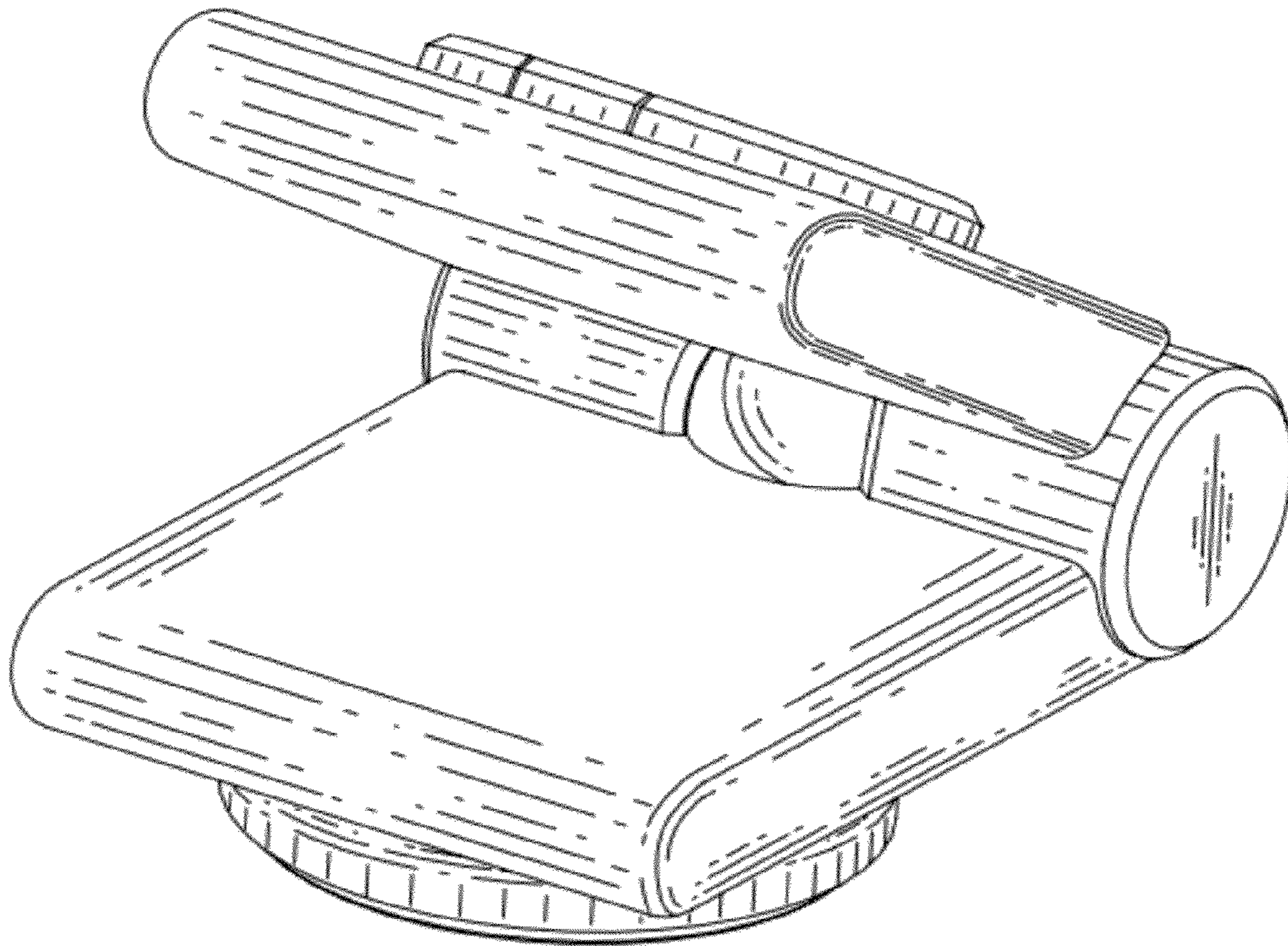


FIG. 8