



US00D658522S

(12) **United States Design Patent**
Lan

(10) **Patent No.:** **US D658,522 S**

(45) **Date of Patent:** **** May 1, 2012**

(54) **NAVIGATION HOLDER**

(75) **Inventor:** **Shun-Chien Lan**, New Taipei (TW)

(73) **Assignee:** **Cheng Uei Precision Industry Co., Ltd.**, New Taipei (TW)

(**) **Term:** **14 Years**

(21) **Appl. No.:** **29/389,791**

(22) **Filed:** **Apr. 15, 2011**

(51) **LOC (9) Cl.** **10-04**

(52) **U.S. Cl.** **D10/74**

(58) **Field of Classification Search** D8/349;
D10/74; D14/347; 73/178 R; 248/346.01,
248/671, 904, 314, 309.1, 689, 670, 122.1,
248/125.1, 128, 130, 133, 139, 176.1, 313;
340/995; 342/351, 419, 457, 357.06–357.13;
343/702; 345/87, 104, 133, 156, 168, 173,
345/901–905; 348/180, 184, 315, 739; 364/200,
364/434, 443, 444, 449, 451, 708.1, 709.1;
701/206–209, 213–214; 206/305, 701, 335;
220/810–817; 224/400, 483, 282, 428–462

See application file for complete search history.

(56) **References Cited**

U.S. PATENT DOCUMENTS

D398,822 S * 9/1998 Webb D10/74

* cited by examiner

Primary Examiner — Antoine D Davis

(74) *Attorney, Agent, or Firm* — Cheng-Ju Chiang

(57) **CLAIM**

The ornamental design for a navigation holder, as shown and described.

DESCRIPTION

FIG. 1 is a perspective view of a navigation holder showing my new design;

FIG. 2 is a front elevational view thereof;

FIG. 3 is a rear elevational view thereof;

FIG. 4 is a left side elevational view thereof;

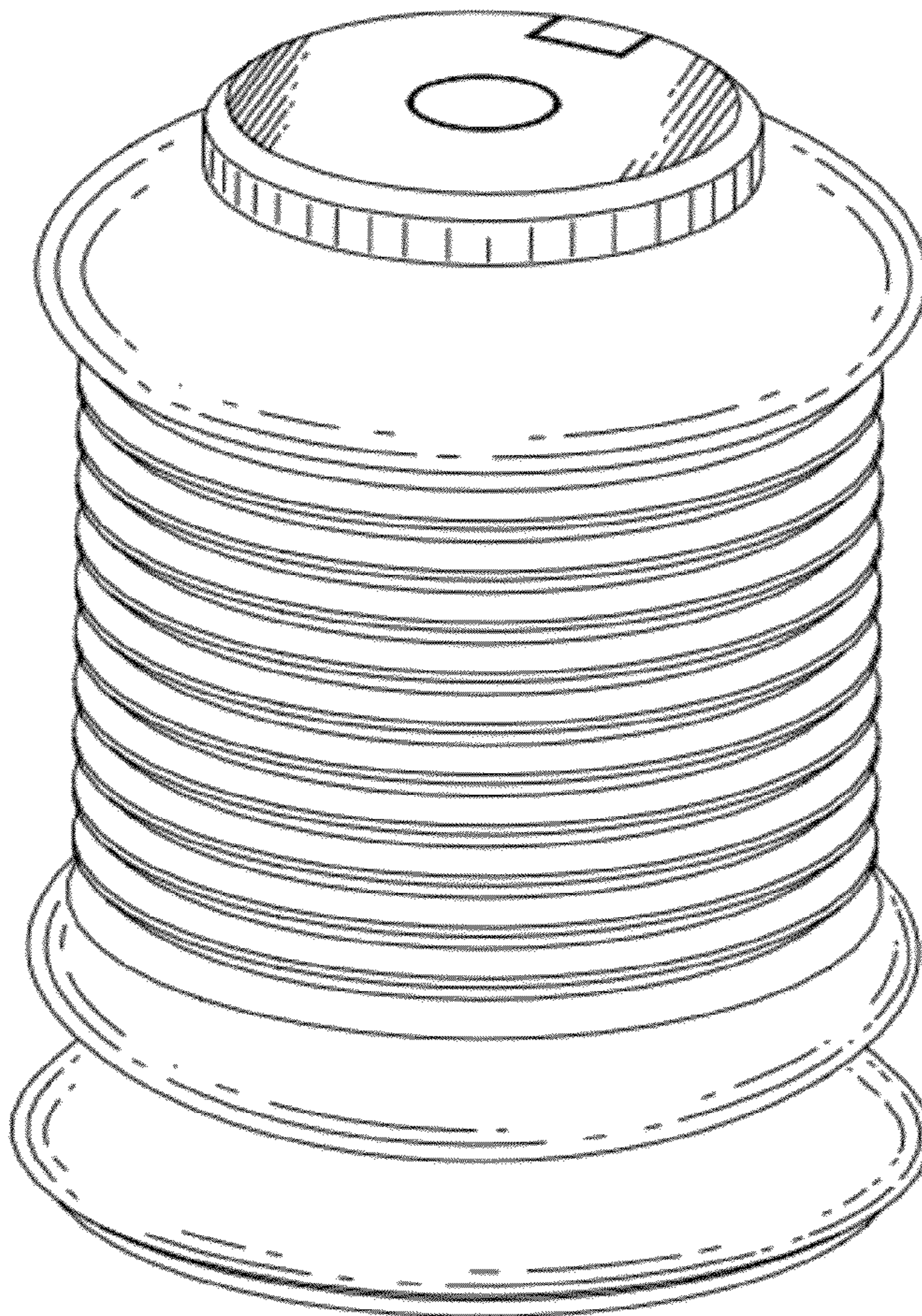
FIG. 5 is a right side elevational view thereof;

FIG. 6 is a top plan view thereof; and,

FIG. 7 is a bottom plan view thereof.

The broken line portion of the figure drawings is included to show unclaimed subject matter only and forms no part of the claimed design.

1 Claim, 7 Drawing Sheets



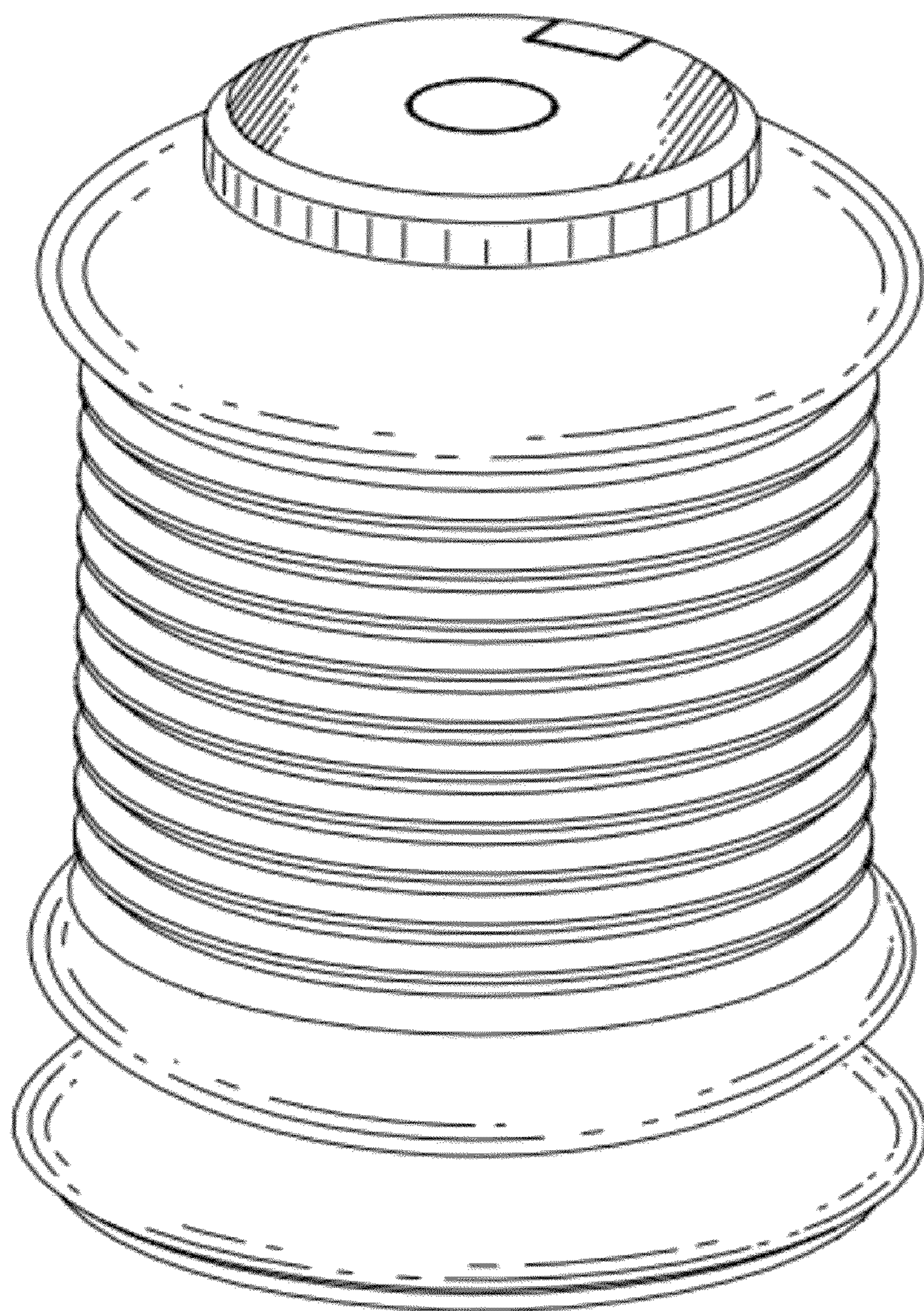


FIG. 1

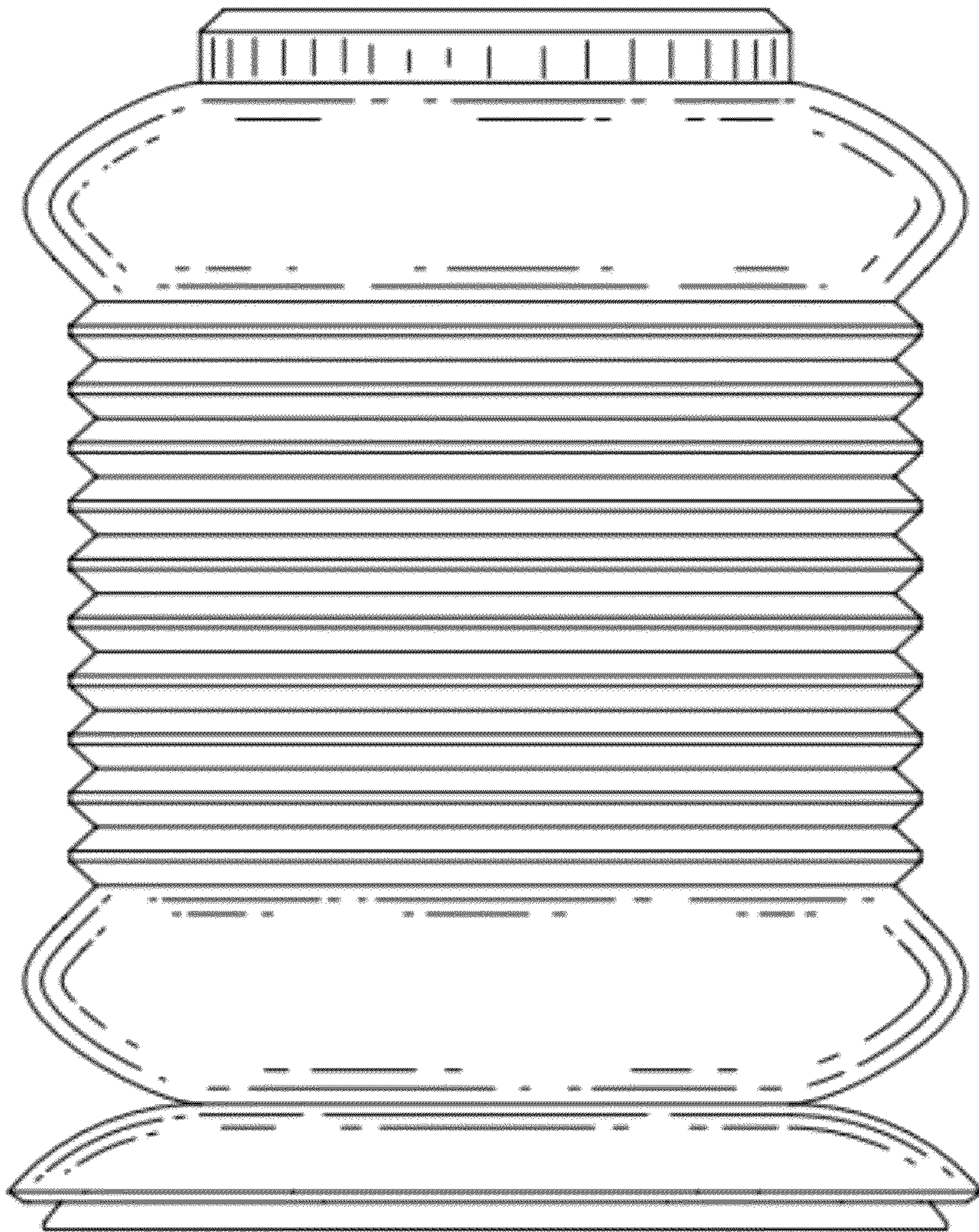


FIG. 2

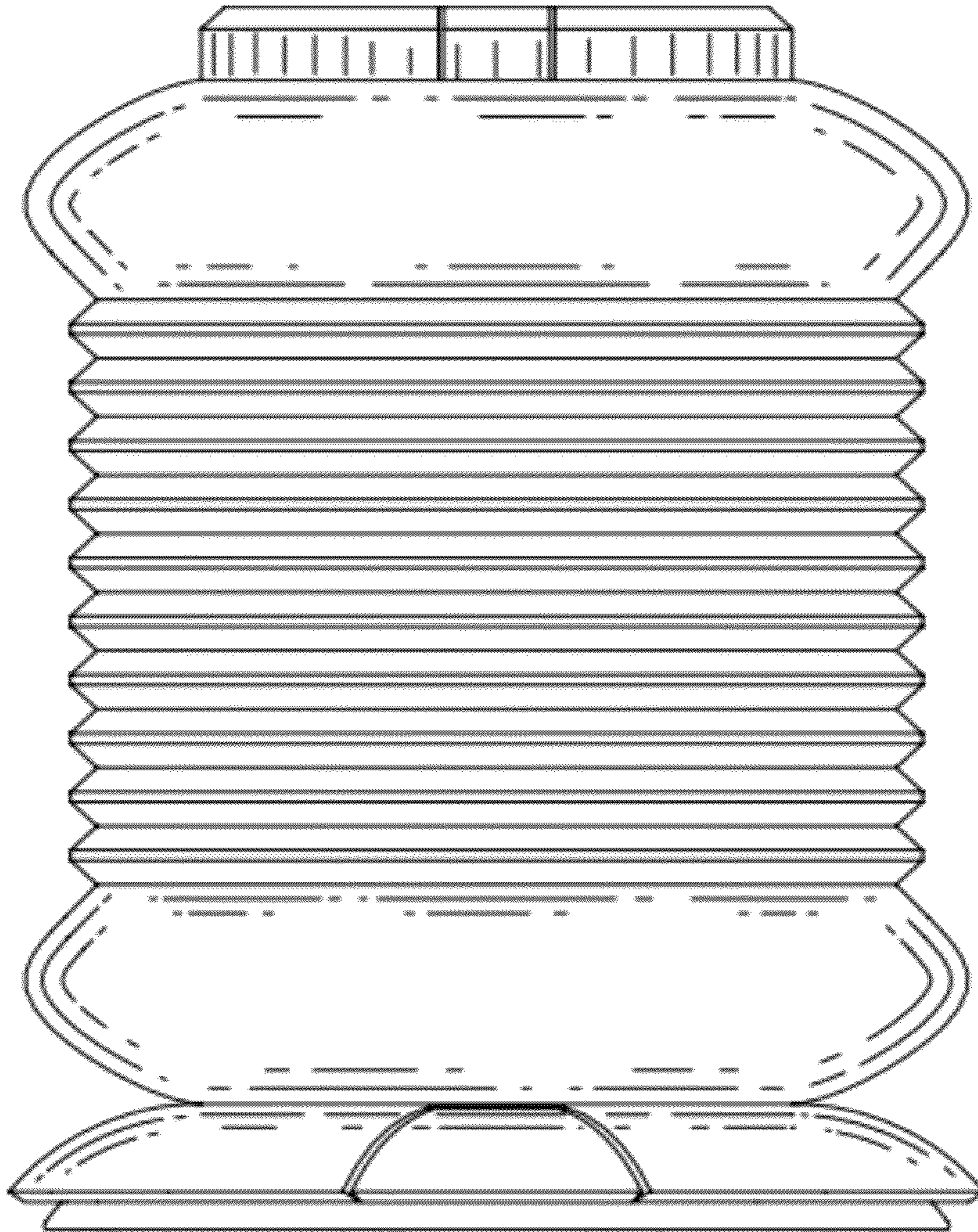


FIG. 3

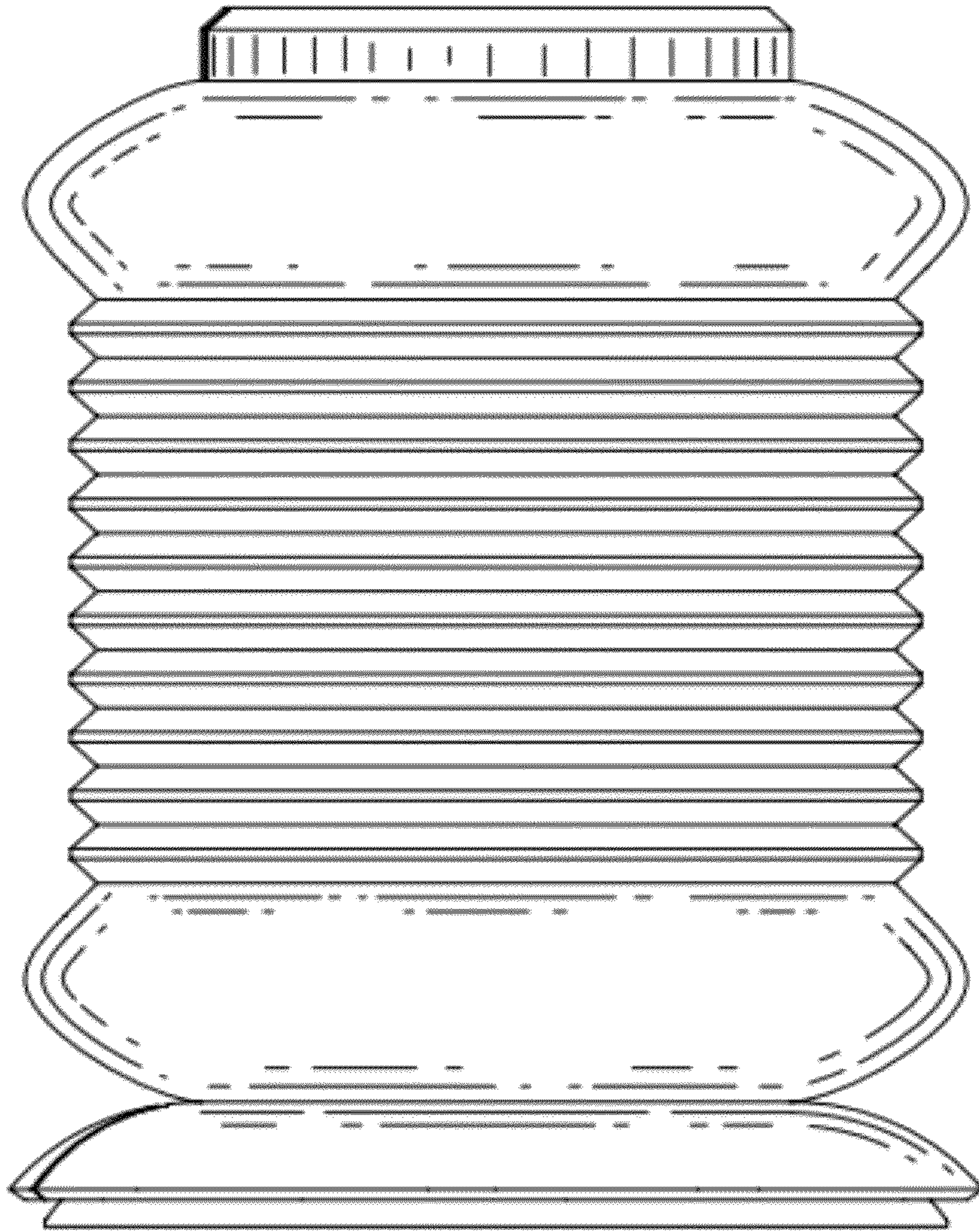


FIG. 4

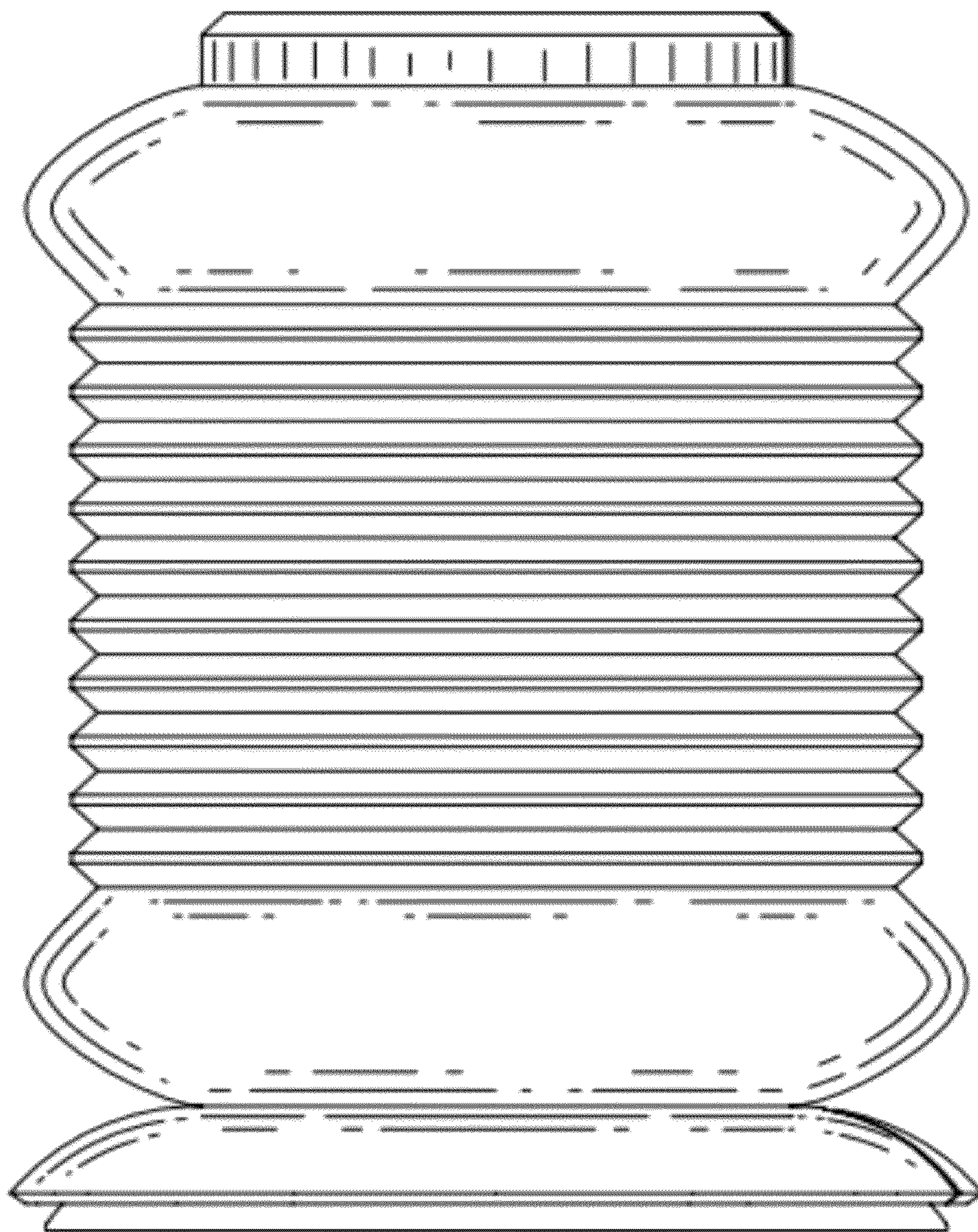


FIG. 5

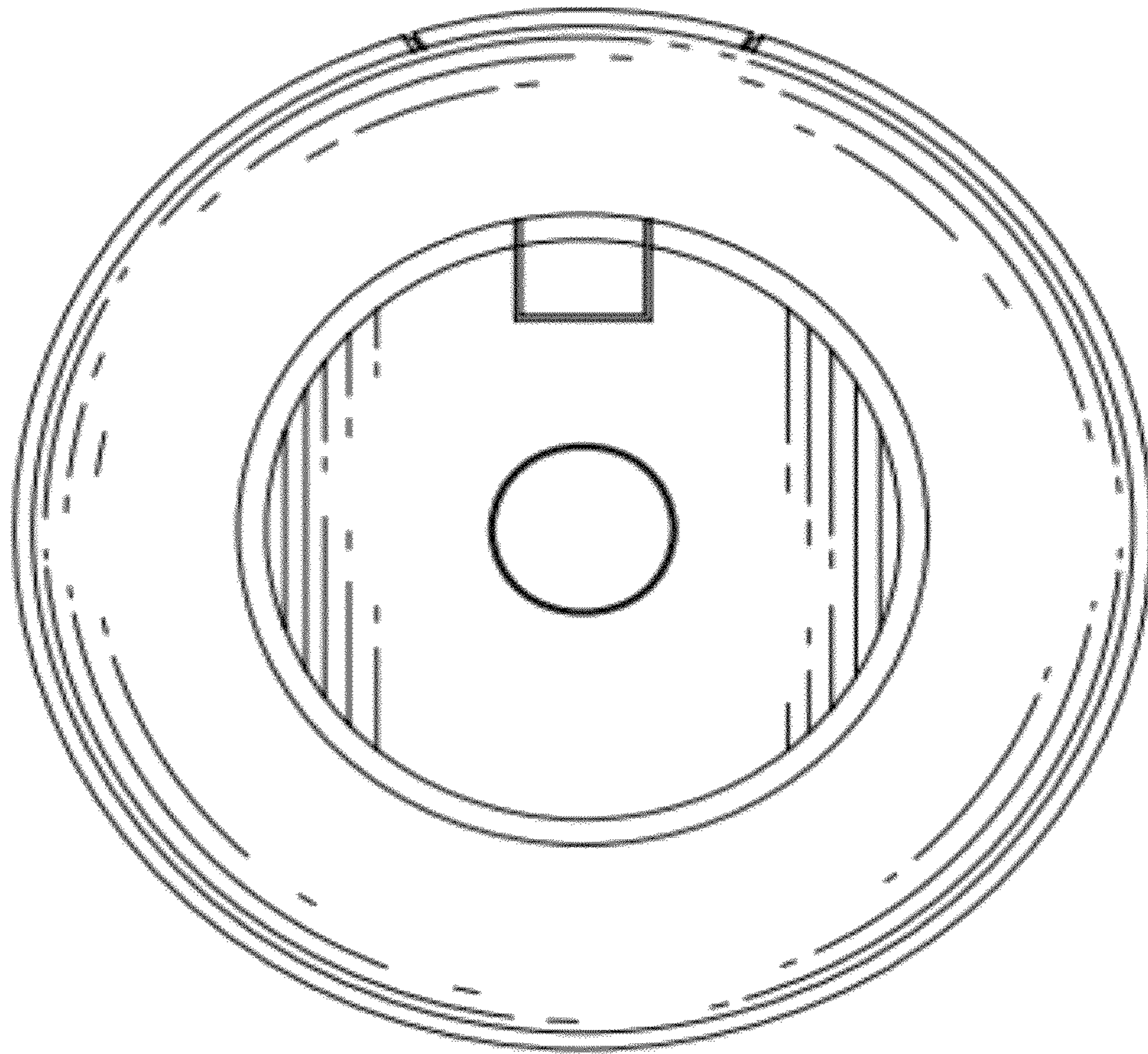


FIG. 6

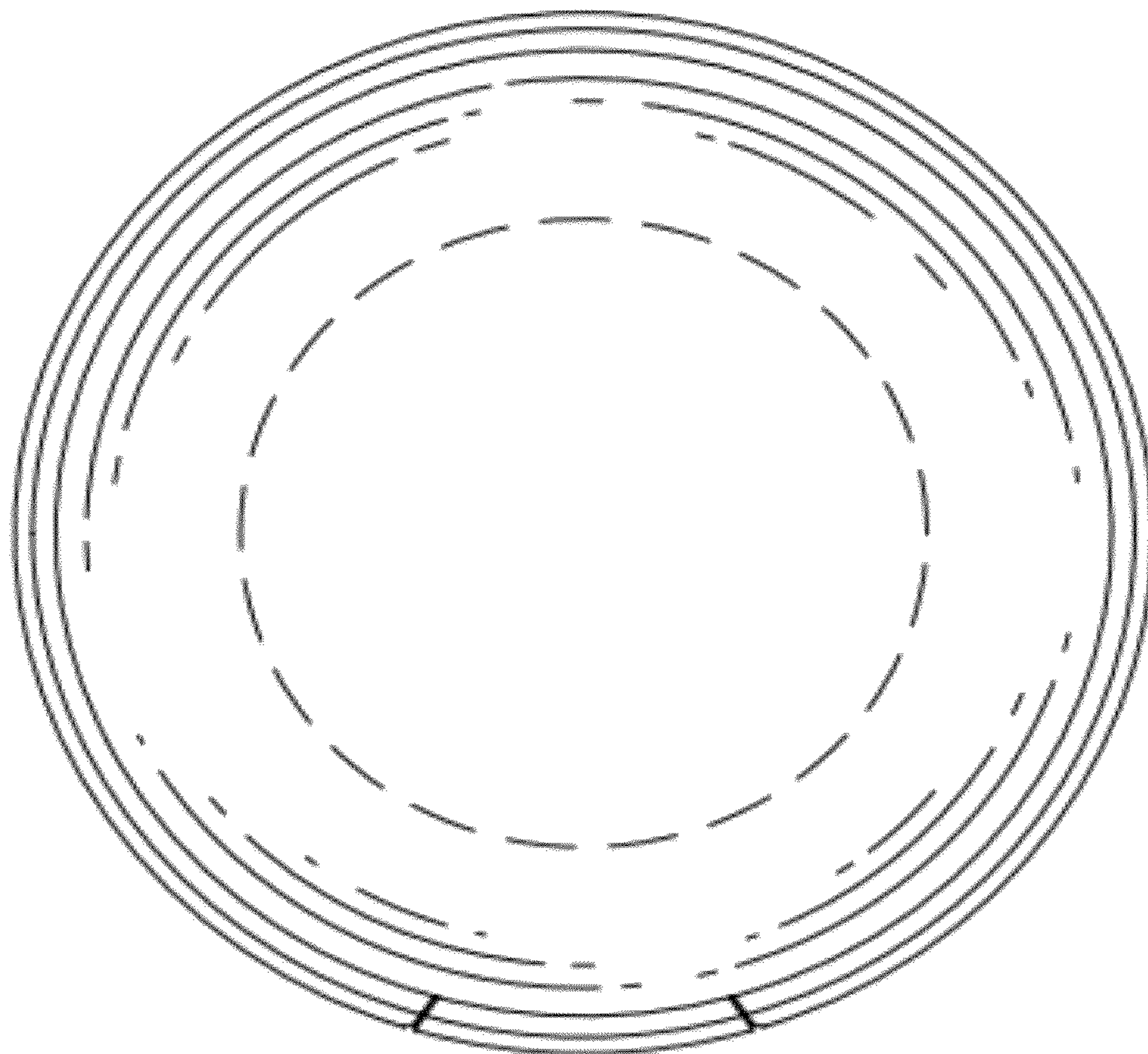


FIG. 7