



US00D658520S

(12) **United States Design Patent**  
**Abdullah**

(10) **Patent No.:** **US D658,520 S**

(45) **Date of Patent:** **\*\* May 1, 2012**

(54) **MEASURING GAUGE**

*Primary Examiner* — Antoine D Davis

(76) Inventor: **Izfahan Ng bin Abdullah**, Klang (MY)

(74) *Attorney, Agent, or Firm* — Irving Keschner

(\*\*) Term: **14 Years**

(57) **CLAIM**

The ornamental design for a measuring gauge, as shown.

(21) Appl. No.: **29/374,483**

(22) Filed: **Aug. 22, 2011**

**DESCRIPTION**

(30) **Foreign Application Priority Data**

Jun. 2, 2011 (MY) ..... 11-00782-0101

(51) **LOC (9) Cl.** ..... **10-04**

(52) **U.S. Cl.** ..... **D10/64**

(58) **Field of Classification Search** ..... D10/64,  
D10/65; 33/424, 474-475, 489, 492, 1 N,  
33/403, 481, 562-567

See application file for complete search history.

FIG. 1 is a front view of the ornamental design of the present invention;

FIG. 2 is a rear view of the ornamental design shown in FIG. 1;

FIG. 3 is a top view of the ornamental design shown in FIG. 1;

FIG. 4 is a bottom view of the ornamental design shown in FIG. 1;

FIG. 5 is a right side view of the ornamental design of the present invention;

FIG. 6 is a left side view of the ornamental design of the present invention; and,

FIG. 7 is a perspective view of the ornamental design of the present invention.

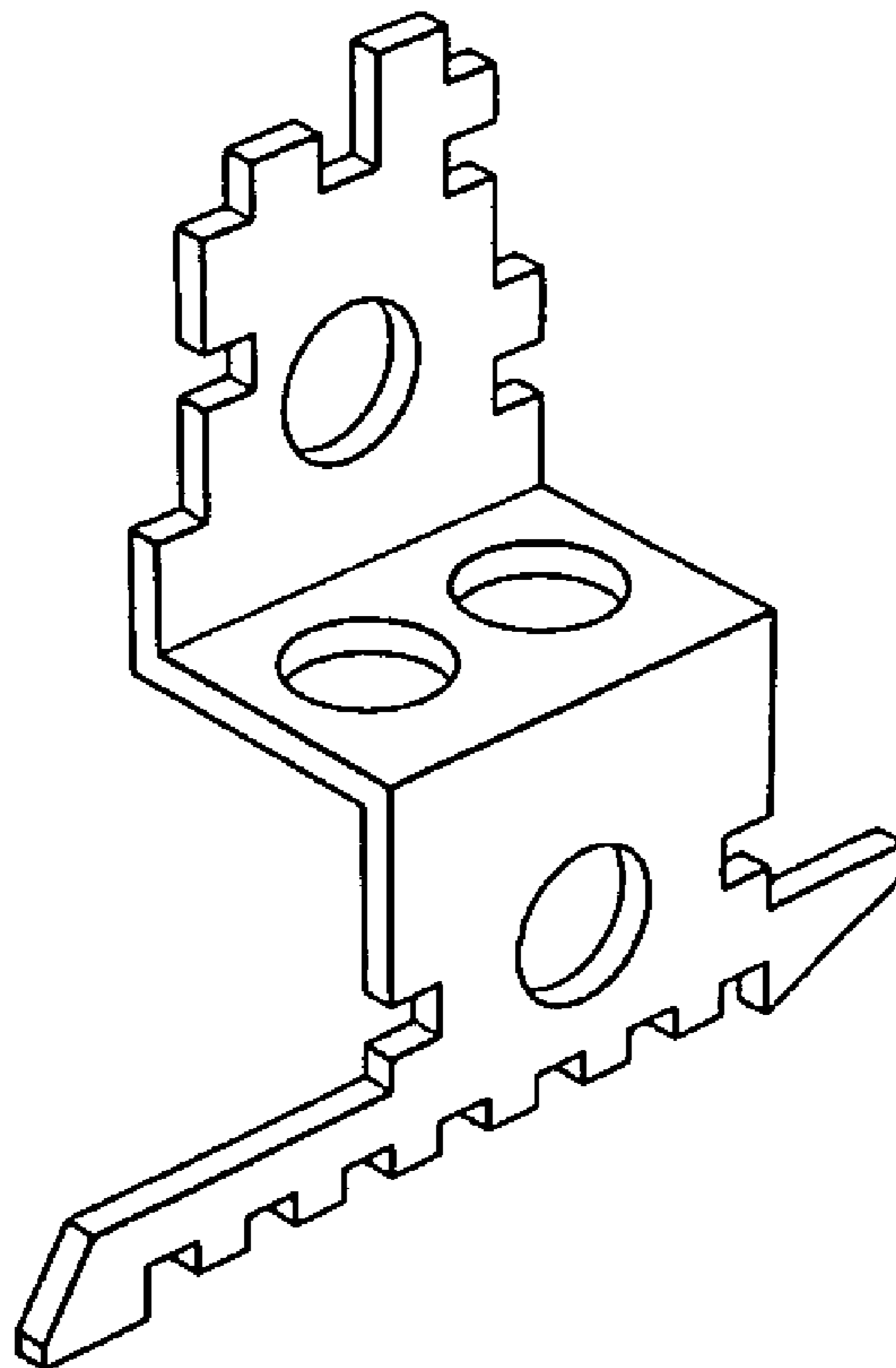
(56) **References Cited**

**U.S. PATENT DOCUMENTS**

D596,054 S \* 7/2009 Nieto ..... D10/64

\* cited by examiner

**1 Claim, 4 Drawing Sheets**



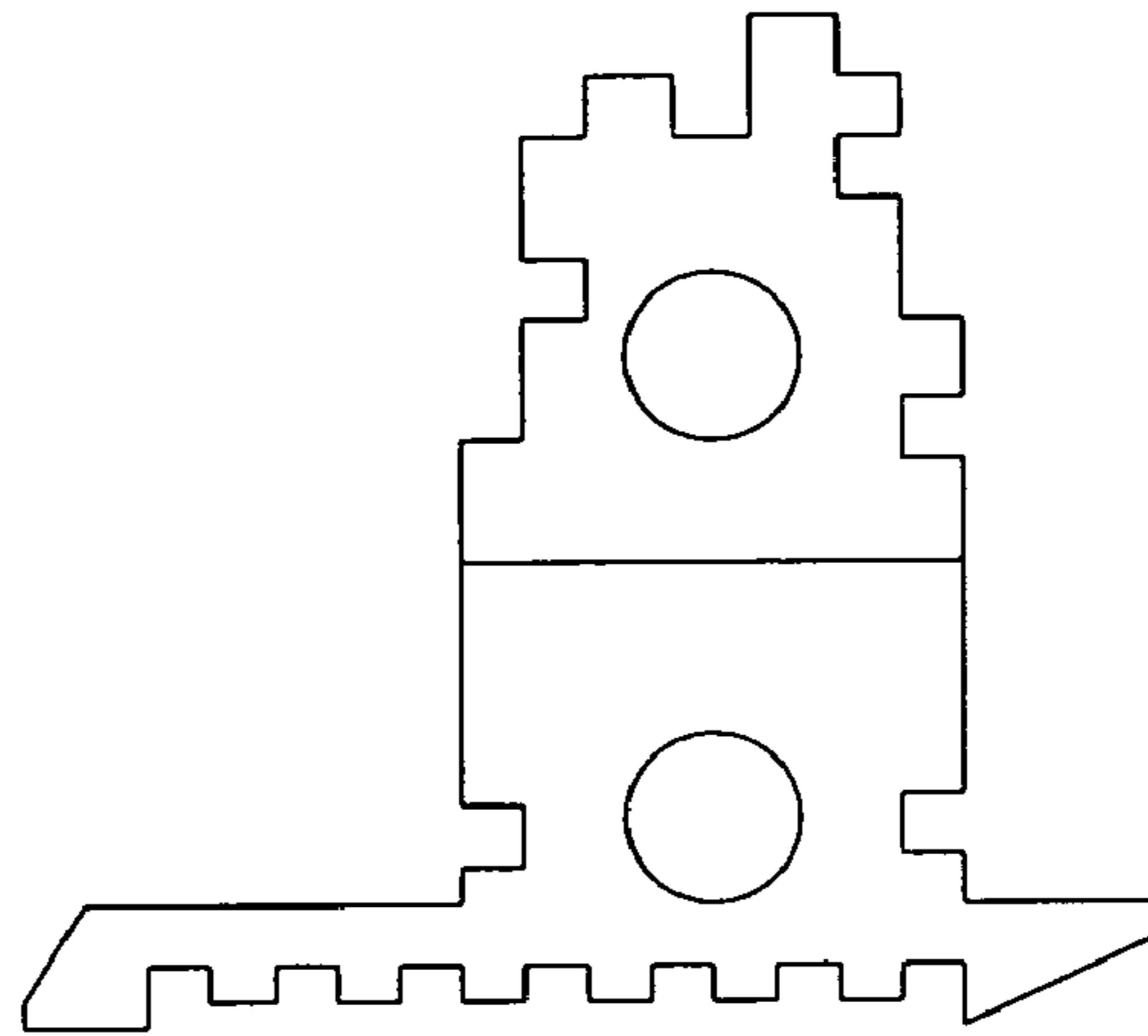


FIG. 1

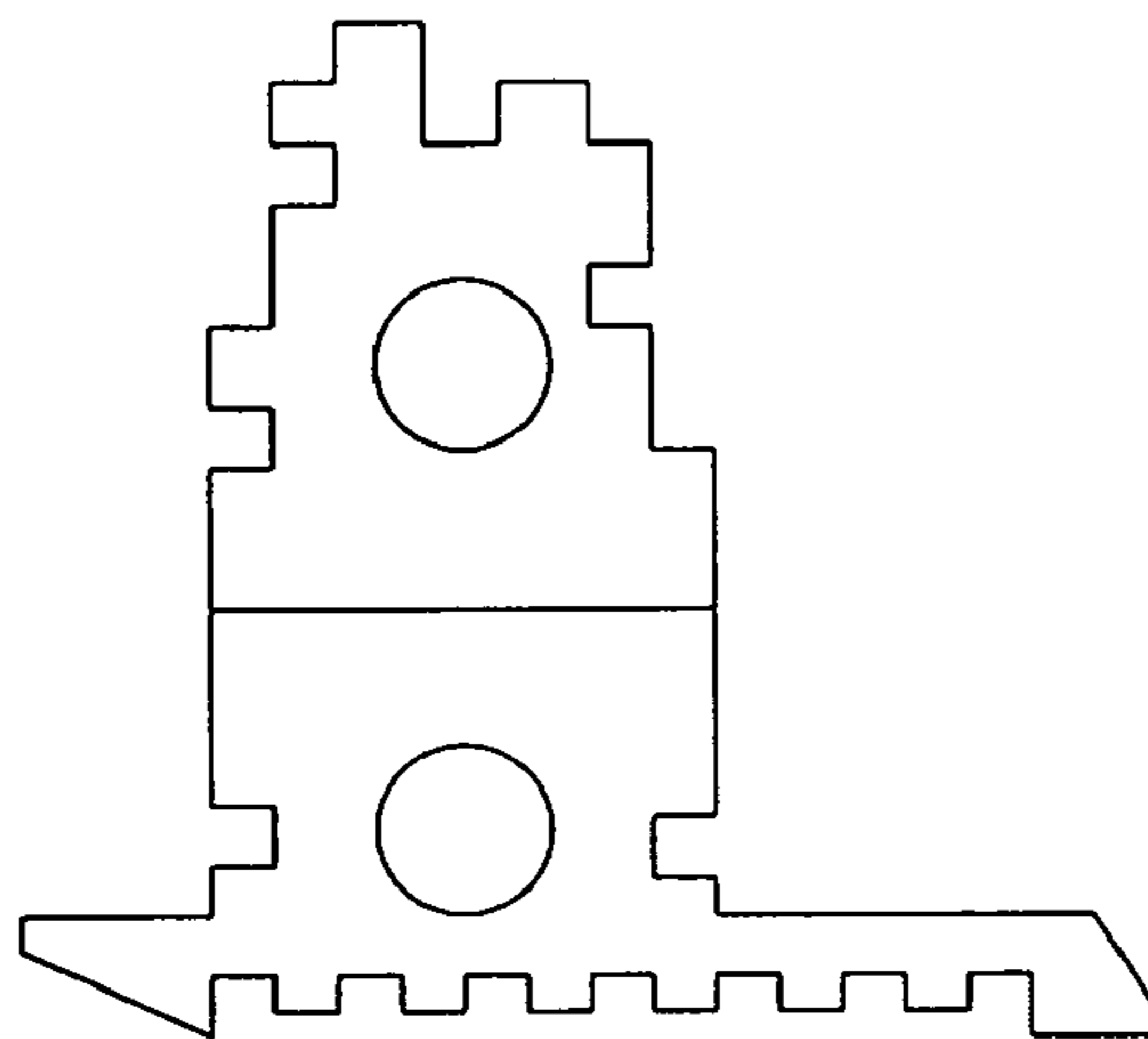


FIG. 2

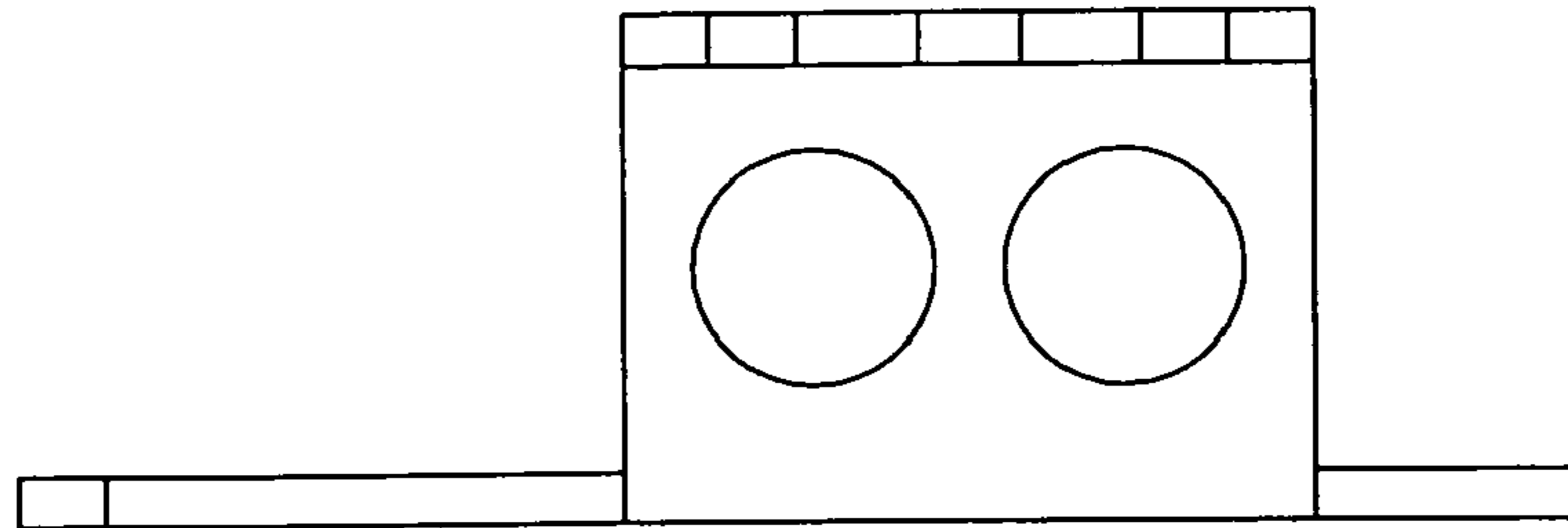


FIG. 3

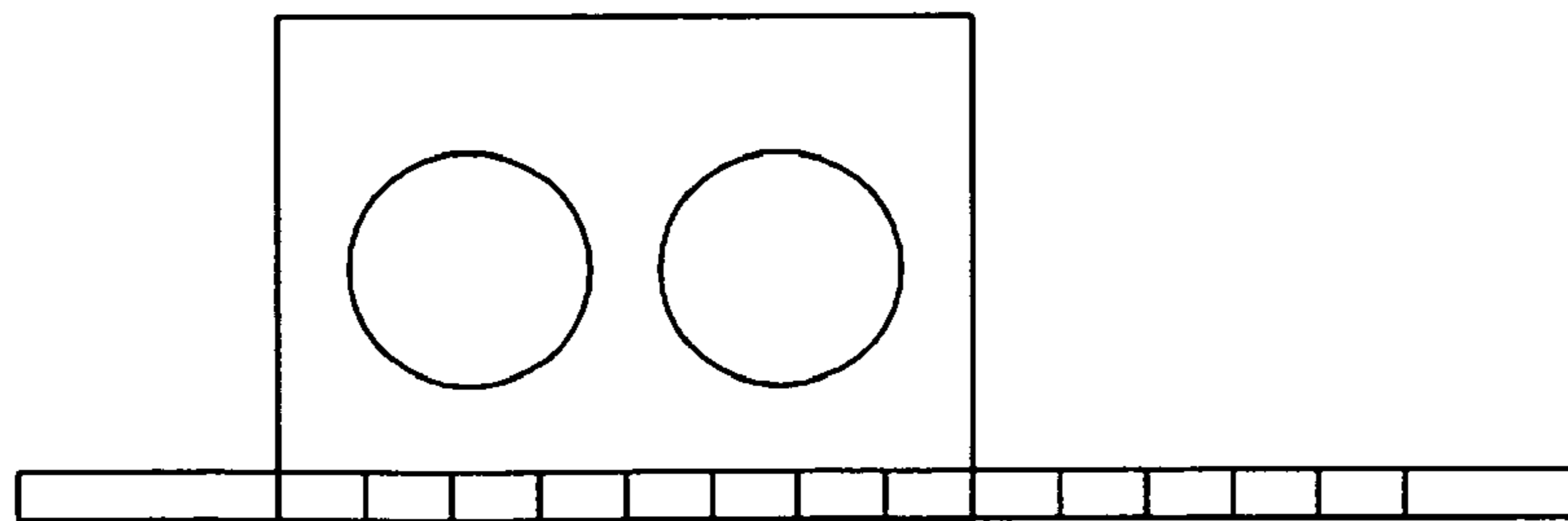


FIG. 4

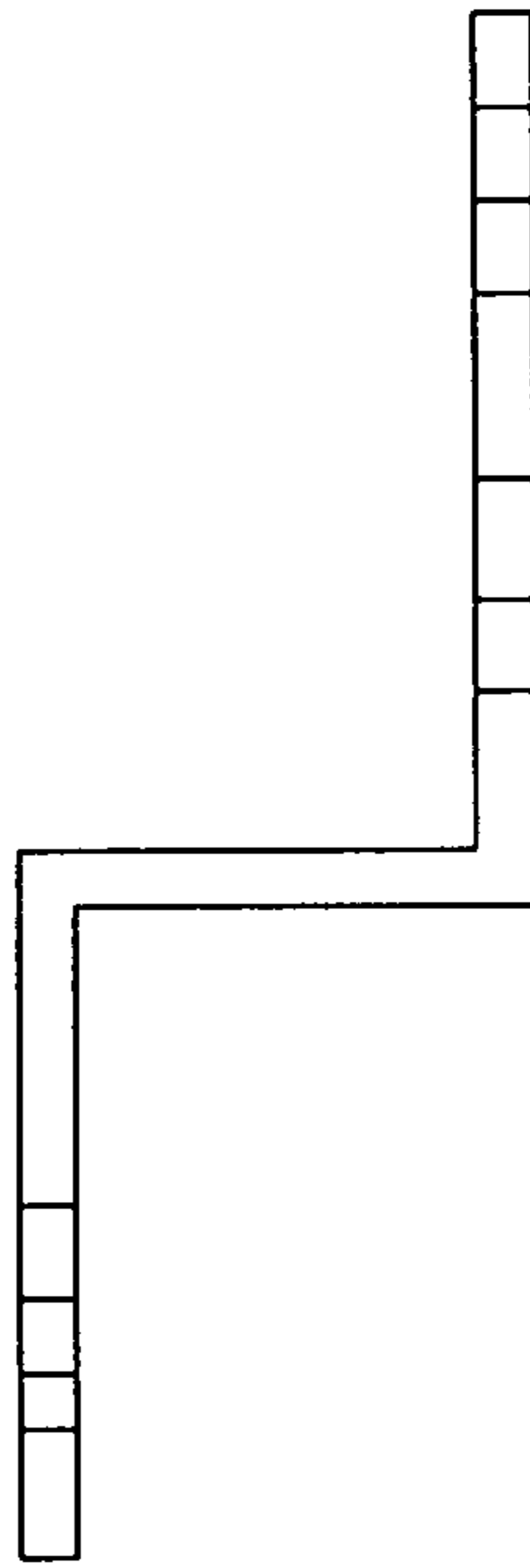


FIG. 5

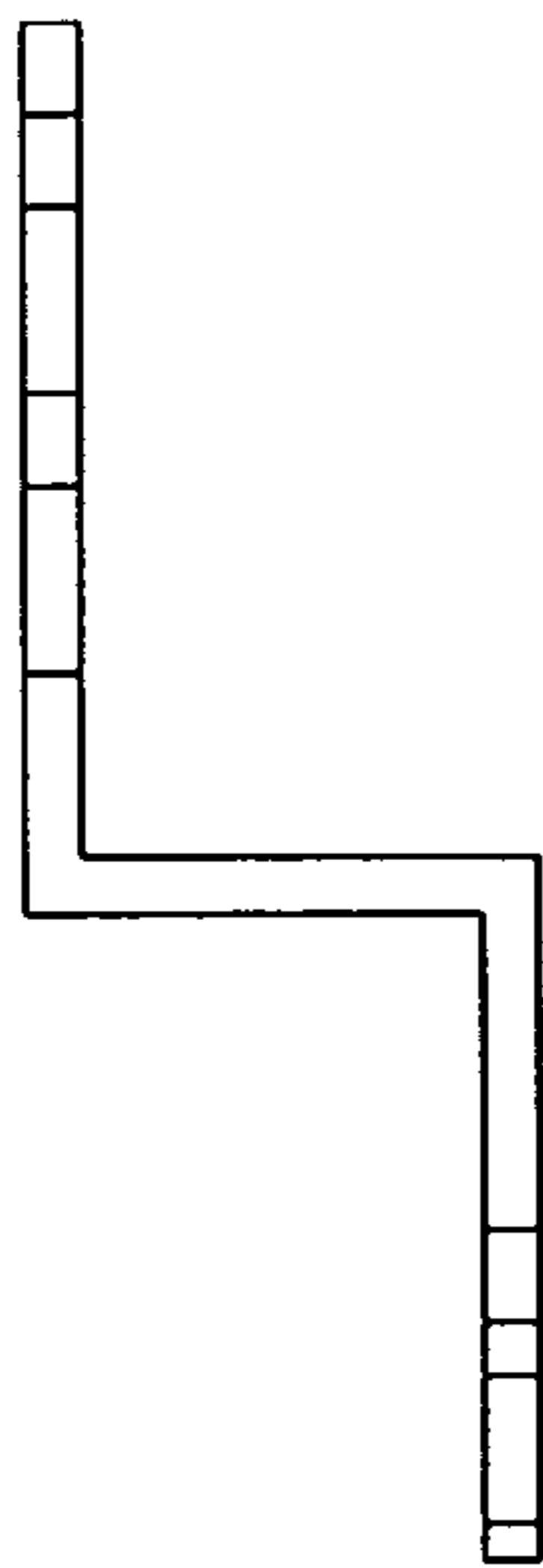


FIG. 6

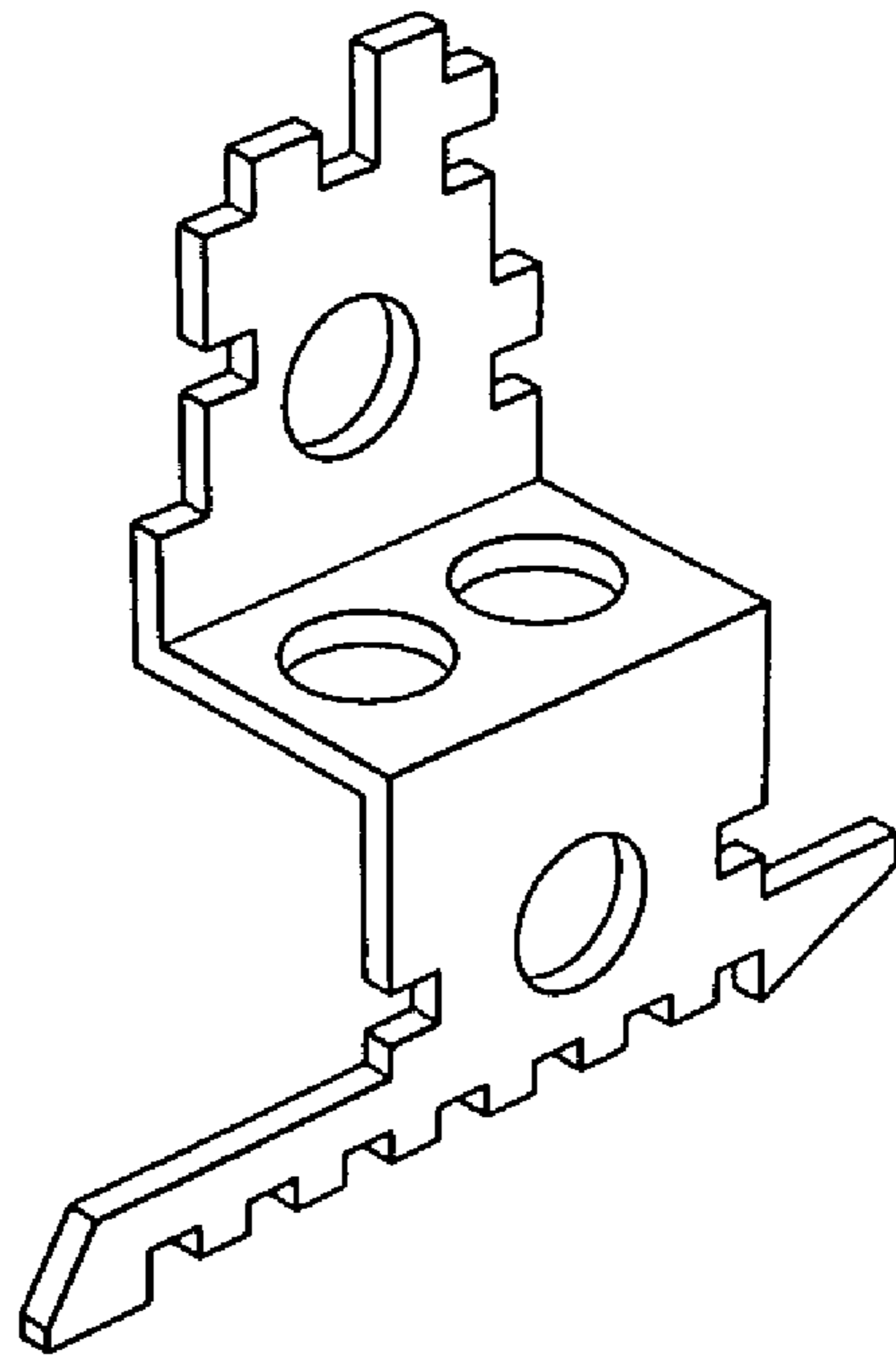


FIG. 7