



US00D658519S

(12) **United States Design Patent**
Connolly et al.

(10) **Patent No.:** **US D658,519 S**

(45) **Date of Patent:** **** May 1, 2012**

- (54) **USER INTERFACE FOR A TIMER**
- (75) Inventors: **Karl L. Connolly**, Brigham City, UT (US); **Chadwick L. Wilson**, Woods Cross, UT (US)
- (73) Assignee: **Orbit Irrigation Products, Inc.**, North Salt Lake, UT (US)
- (**) Term: **14 Years**
- (21) Appl. No.: **29/396,539**
- (22) Filed: **Jun. 30, 2011**
- (51) **LOC (9) Cl.** **10-03**
- (52) **U.S. Cl.** **D10/40; D10/122**
- (58) **Field of Classification Search** D10/40, D10/49, 50, 102, 122, 123, 125; 239/68, 239/69, 70; 137/624.11, 624.12, 624.21, 137/624.22, 624.18; D23/245; D14/218
See application file for complete search history.

D559,708	S	*	1/2008	Michael et al.	D10/40
D567,680	S	*	4/2008	Michael et al.	D10/40
D567,681	S	*	4/2008	Michael et al.	D10/40
7,810,515	B2	*	10/2010	Nies et al.	137/78.3
D630,952	S	*	1/2011	Nies et al.	D10/40
D636,278	S	*	4/2011	Franchini	D10/40
D642,077	S	*	7/2011	Nies et al.	D10/40
D643,316	S	*	8/2011	Nies et al.	D10/40
D643,755	S	*	8/2011	Nies et al.	D10/40
D647,411	S	*	10/2011	Barton et al.	D10/40

OTHER PUBLICATIONS

Orbit Irrigation Products, Inc.

* cited by examiner

Primary Examiner — Lucy Lieberman

(74) *Attorney, Agent, or Firm* — Austin Rapp & Hardman

(57) **CLAIM**

The ornamental design for a user interface for a timer, as shown and described.

(56) **References Cited**

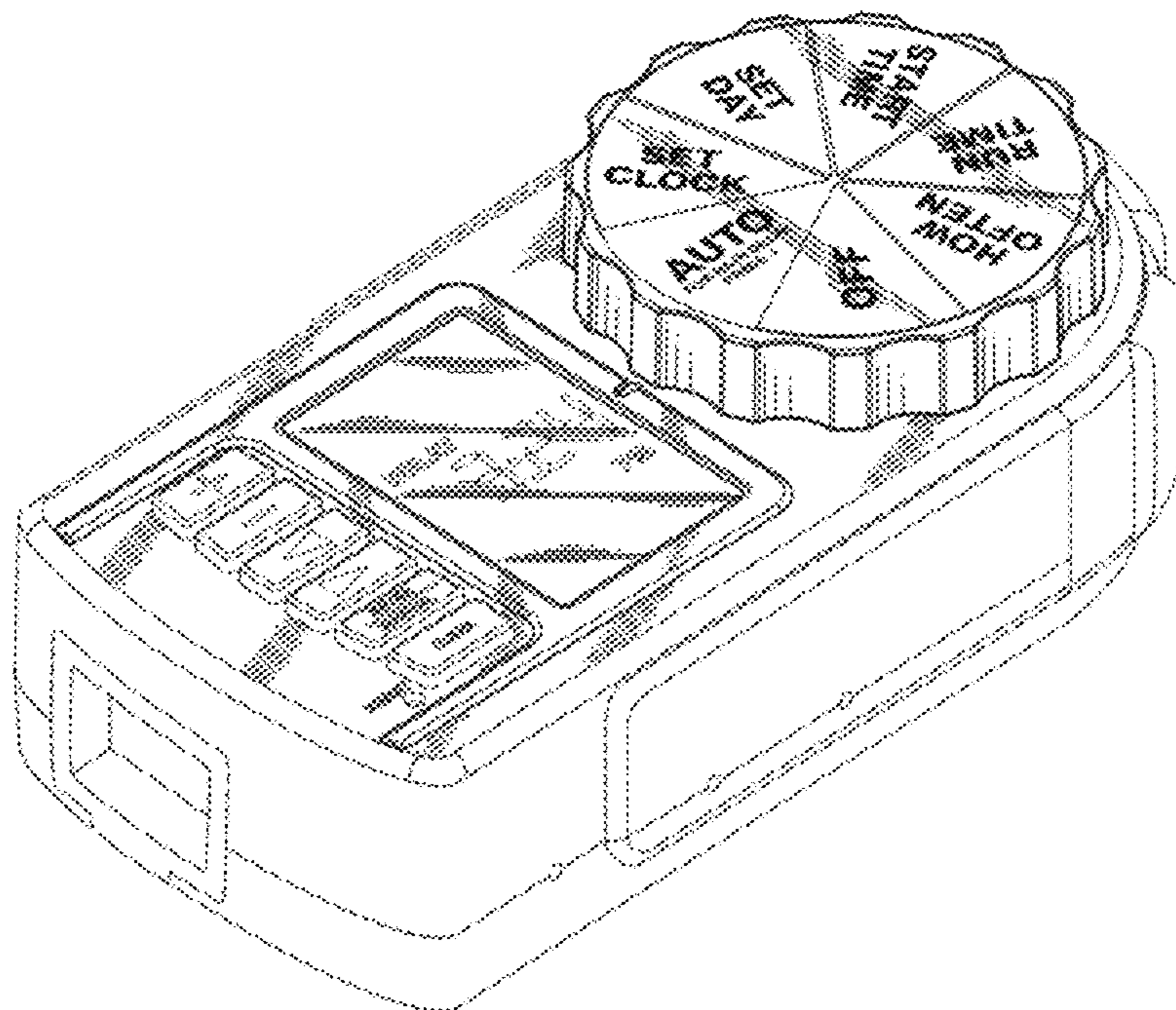
U.S. PATENT DOCUMENTS

4,633,905	A	*	1/1987	Wang	137/624.11
4,807,664	A	*	2/1989	Wilson et al.	137/624.11
D304,224	S	*	10/1989	Wilson et al.	D23/245
D365,771	S	*	1/1996	Clivio	D10/96
D377,316	S	*	1/1997	Roman et al.	D10/40
5,826,619	A	*	10/1998	Roman	137/624.11
D430,044	S	*	8/2000	Clivio	D10/40
D431,195	S	*	9/2000	Clivio	D10/40
D467,187	S	*	12/2002	Clivio	D10/40
D485,502	S	*	1/2004	Clivio	D10/40
6,986,364	B1	*	1/2006	Wang	137/624.11
7,252,113	B2	*	8/2007	Jacobs et al.	137/624.11

DESCRIPTION

FIG. 1 is a perspective view of a user interface for a timer, according to our new design;
FIG. 2 is a front view of the user interface for a timer;
FIG. 3 is a top view of the user interface for a timer;
FIG. 4 is a first side view of the user interface for a timer;
FIG. 5 is a bottom view of the user interface for a timer; and,
FIG. 6 is a second side view of the user interface for a timer.
The portions in broken lines show environmental structure only and form no part of the claimed design.

1 Claim, 3 Drawing Sheets



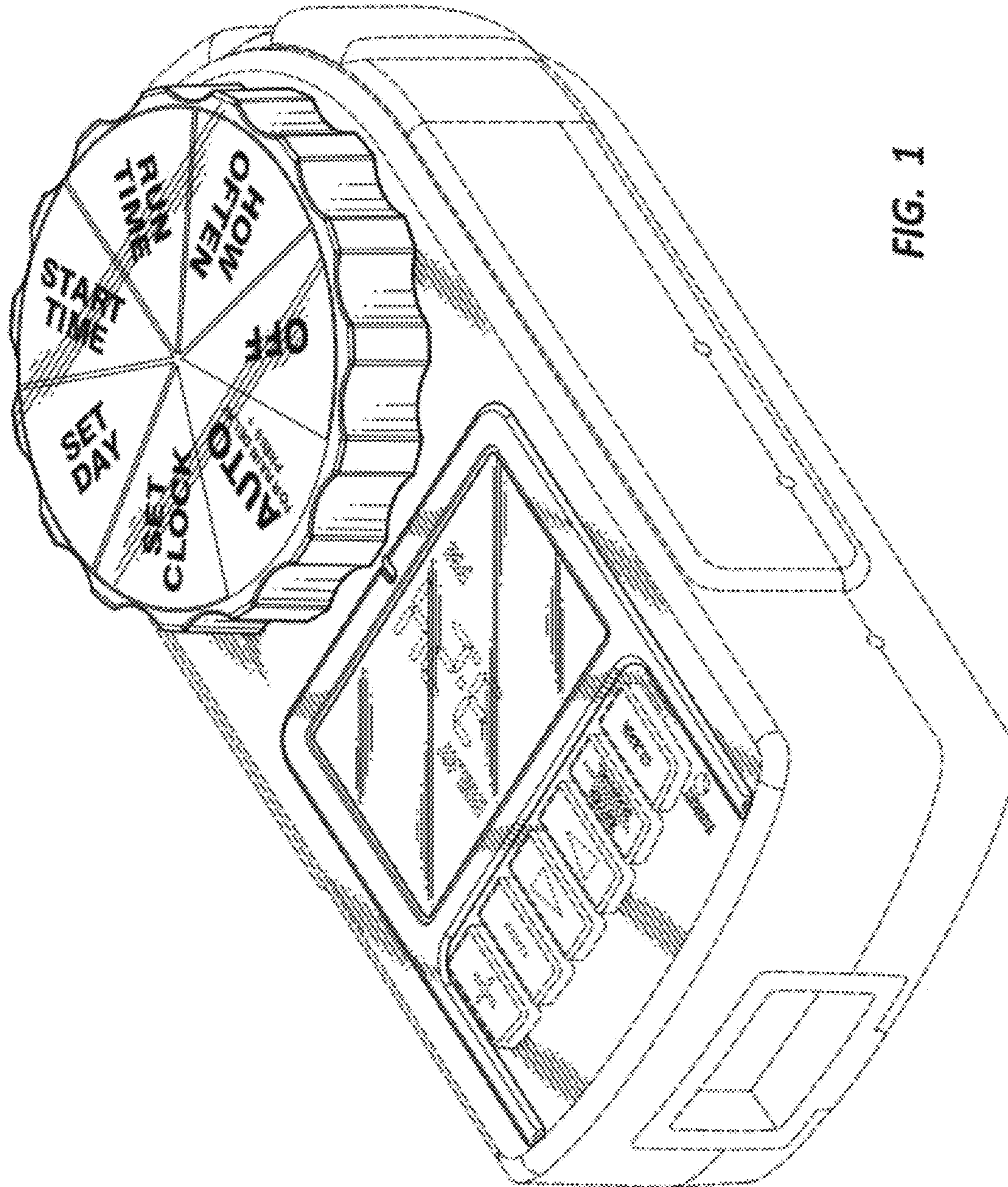


FIG. 1

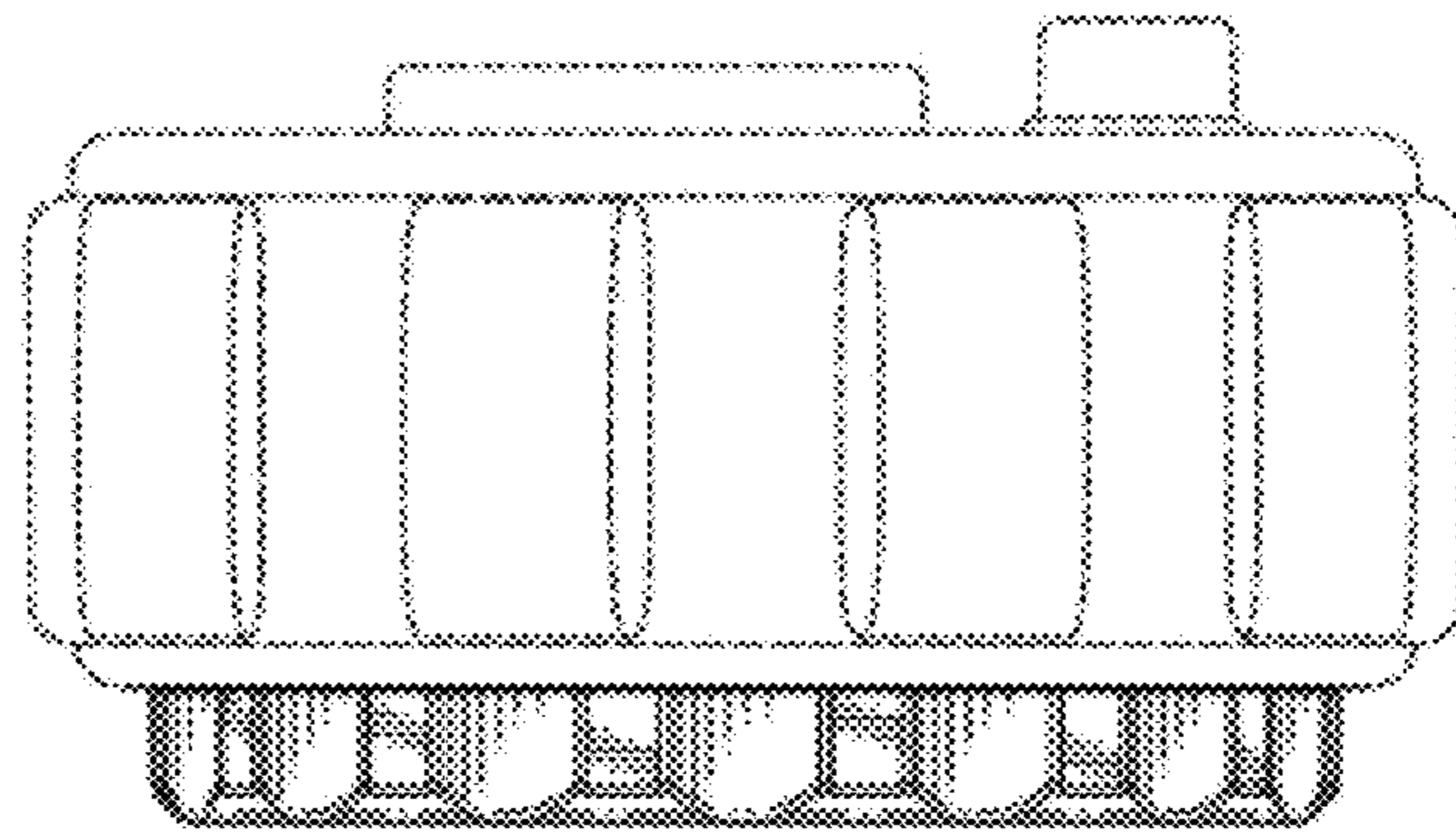


FIG. 4

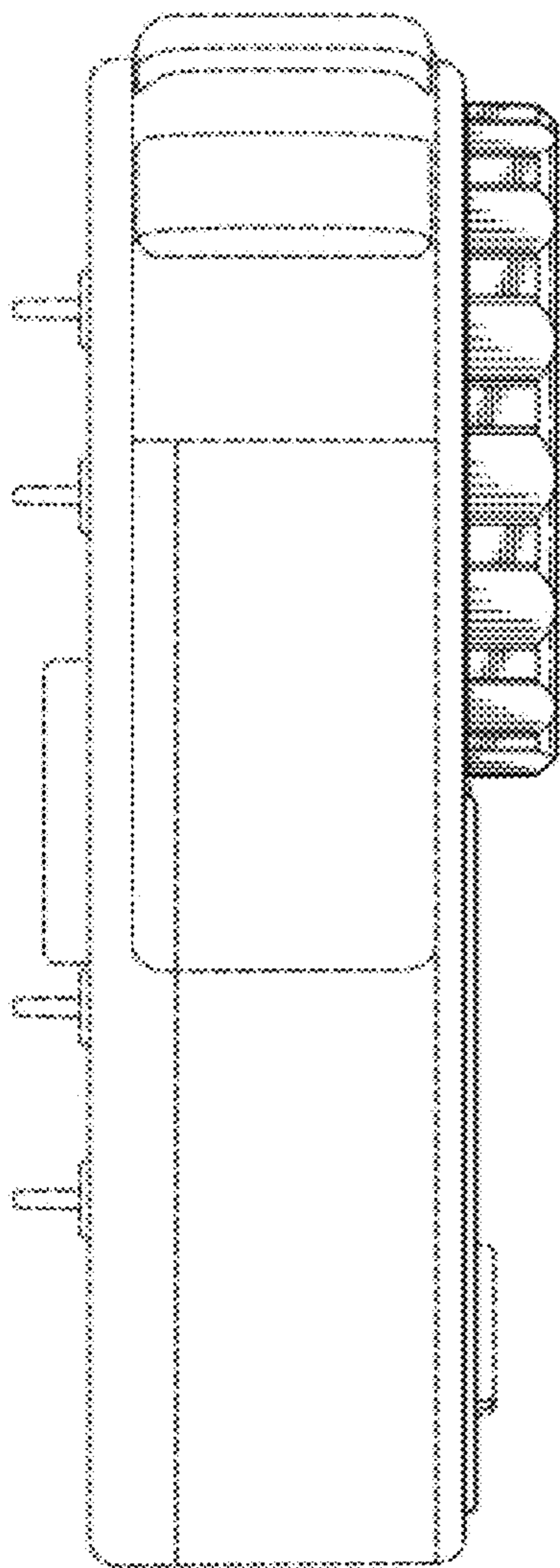


FIG. 3

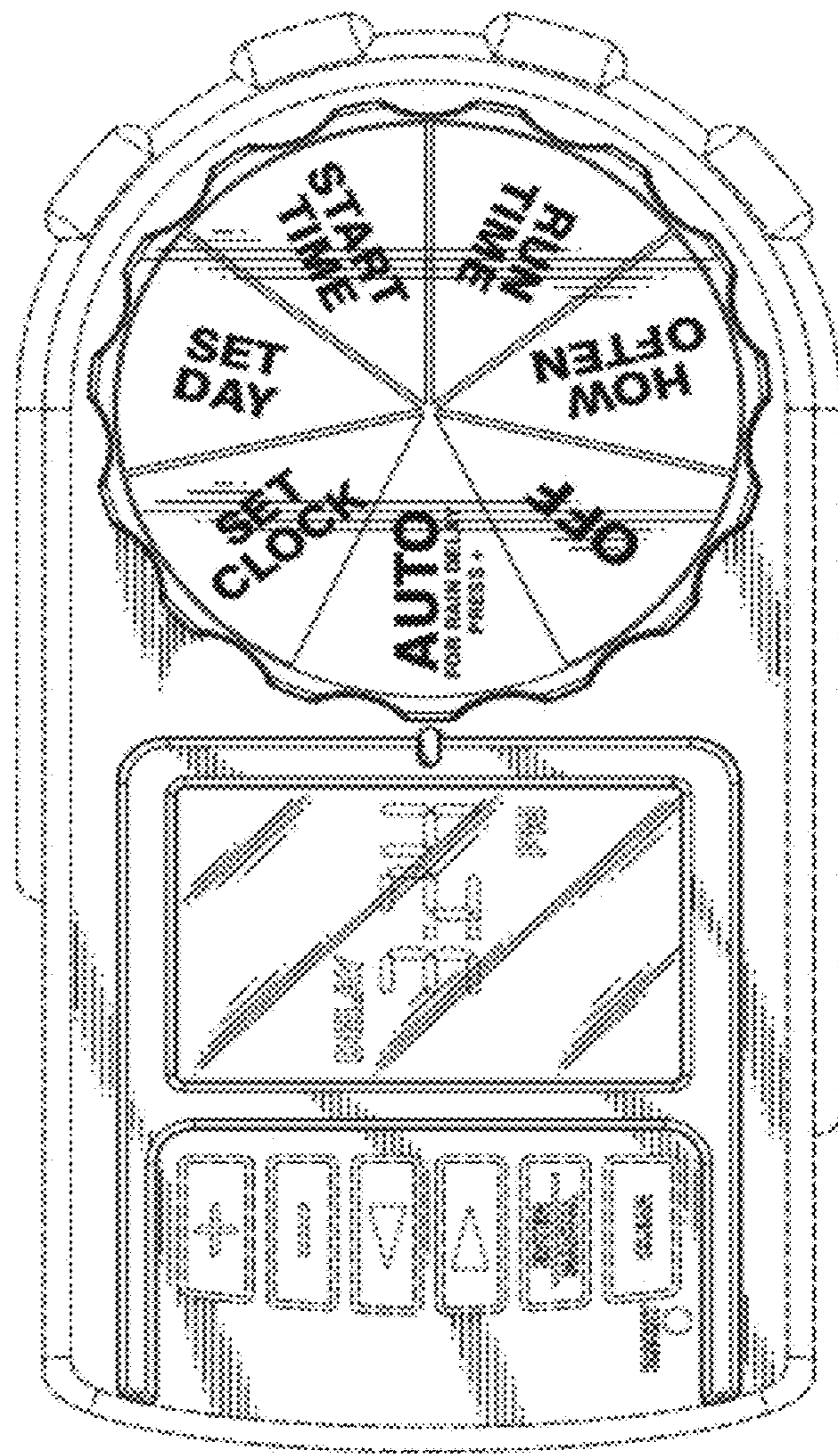


FIG. 2

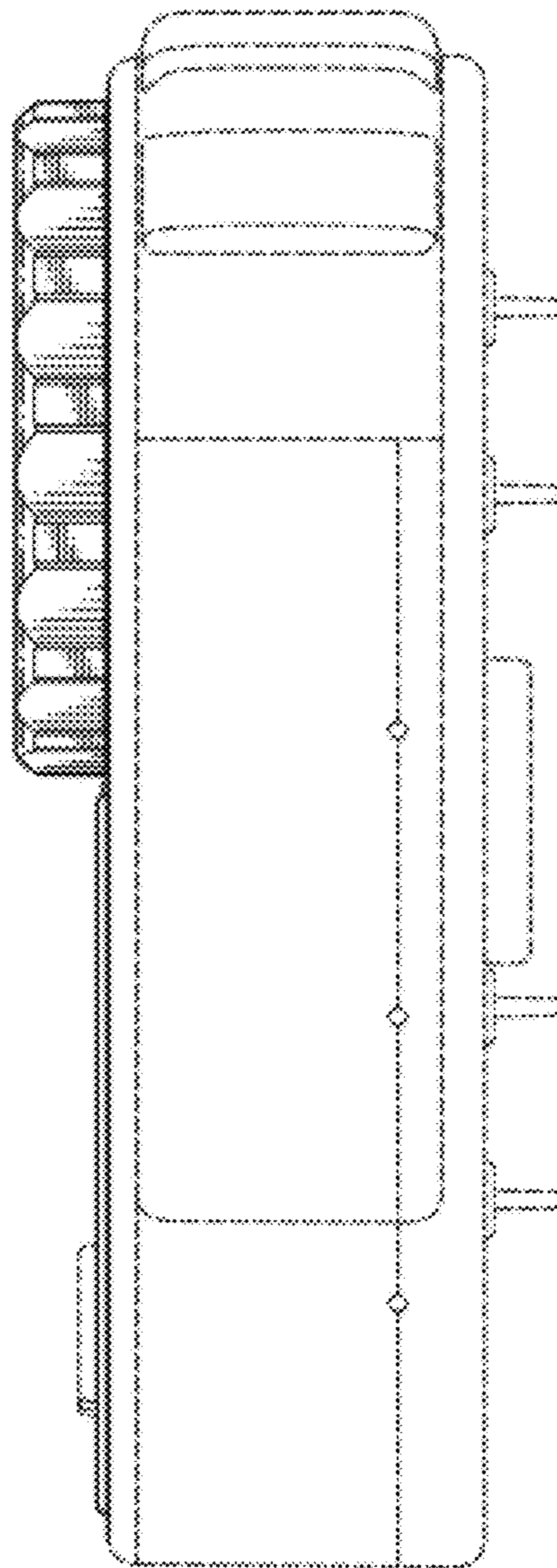


FIG. 5

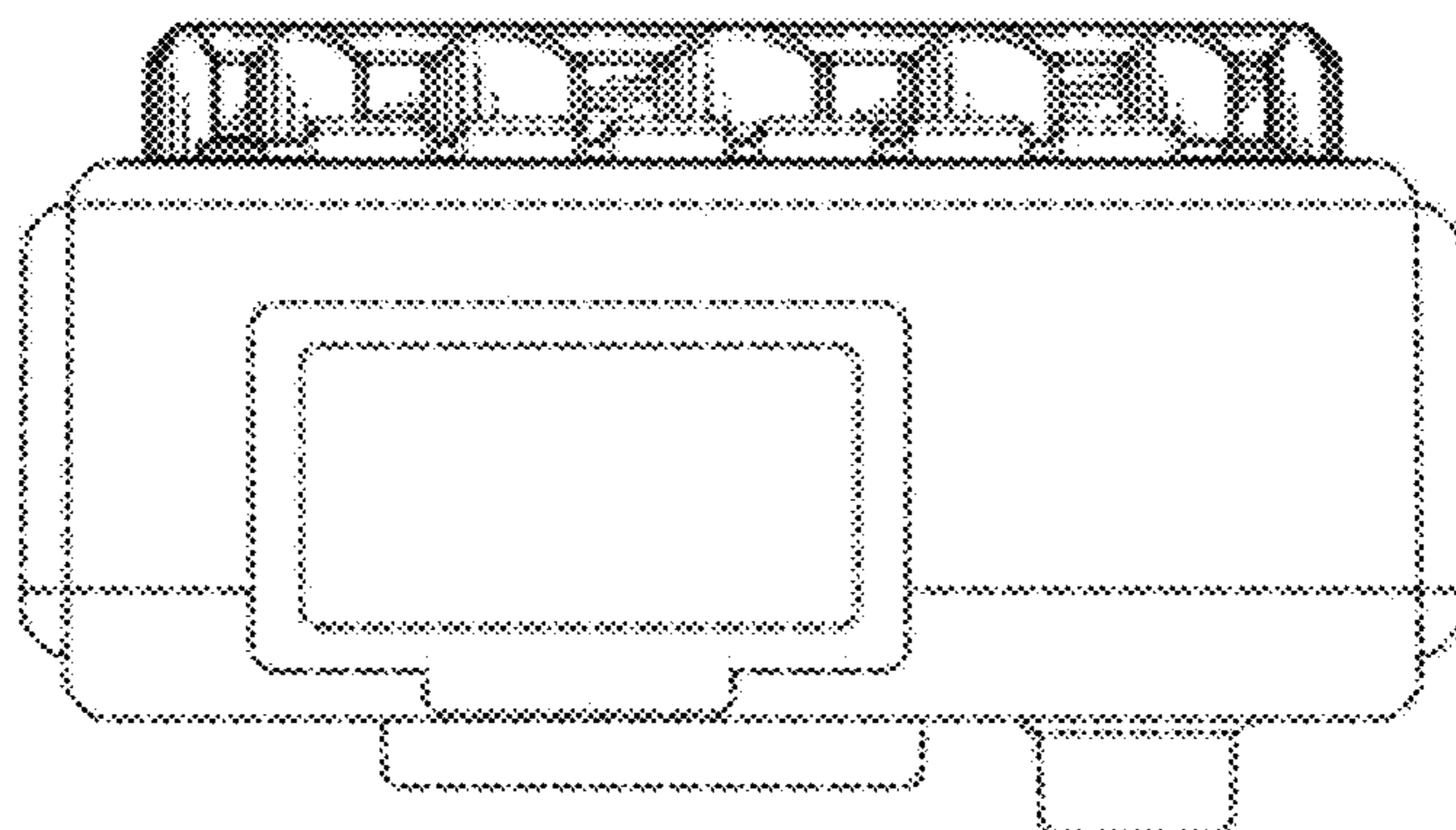


FIG. 6

UNITED STATES PATENT AND TRADEMARK OFFICE
CERTIFICATE OF CORRECTION

PATENT NO. : D658,519 S
APPLICATION NO. : 29/396539
DATED : May 1, 2012
INVENTOR(S) : Karl L. Connolly and Chadwick L. Wilson

Page 1 of 5

It is certified that error appears in the above-identified patent and that said Letters Patent is hereby corrected as shown below:

Delete the title page containing an illustrated figure and substitute the attached title page therefor.

Delete the drawing sheets 1-3 and substitute the attached three (3) sheets which contain six (6) figures to correct the drawings of Design Patent No. D658,519.

Signed and Sealed this
Second Day of July, 2013



Teresa Stanek Rea
Acting Director of the United States Patent and Trademark Office

(12) **United States Design Patent** (10) **Patent No.:** **US D658,519 S**
Connolly et al. (45) **Date of Patent:** **** May 1, 2012**

(54) **USER INTERFACE FOR A TIMER**
 (75) Inventors: **Karl L. Connolly**, Brigham City, UT (US); **Chadwick L. Wilson**, Woods Cross, UT (US)
 (73) Assignee: **Orbit Irrigation Products, Inc.**, North Salt Lake, UT (US)

D559,708 S * 1/2008 Michael et al. D10/40
 D567,680 S * 4/2008 Michael et al. D10/40
 D567,681 S * 4/2008 Michael et al. D10/40
 7,810,515 B2 * 10/2010 Nies et al. 137/78.3
 D630,952 S * 1/2011 Nies et al. D10/40
 D636,278 S * 4/2011 Franchini D10/40
 D642,077 S * 7/2011 Nies et al. D10/40
 D643,316 S * 8/2011 Nies et al. D10/40
 D643,755 S * 8/2011 Nies et al. D10/40
 D647,411 S * 10/2011 Barton et al. D10/40

(**) Term: **14 Years**

OTHER PUBLICATIONS

(21) Appl. No.: **29/396,539**

Orbit Irrigation Products, Inc.

(22) Filed: **Jun. 30, 2011**

* cited by examiner

(51) **LOC (9) Cl.** **10-03**

Primary Examiner -- Lucy Lieberman

(52) **U.S. Cl.** **D10/40; D10/122**

(74) *Attorney, Agent, or Firm* — Austin Rapp & Hardman

(58) **Field of Classification Search** D10/40, D10/49, 50, 102, 122, 123, 125; 239/68, 239/69, 70; 137/624.11, 624.12, 624.21, 137/624.22, 624.18; D23/245; D14/218
 See application file for complete search history.

(57) **CLAIM**
 The ornamental design for a user interface for a timer, as shown and described.

(56) **References Cited**

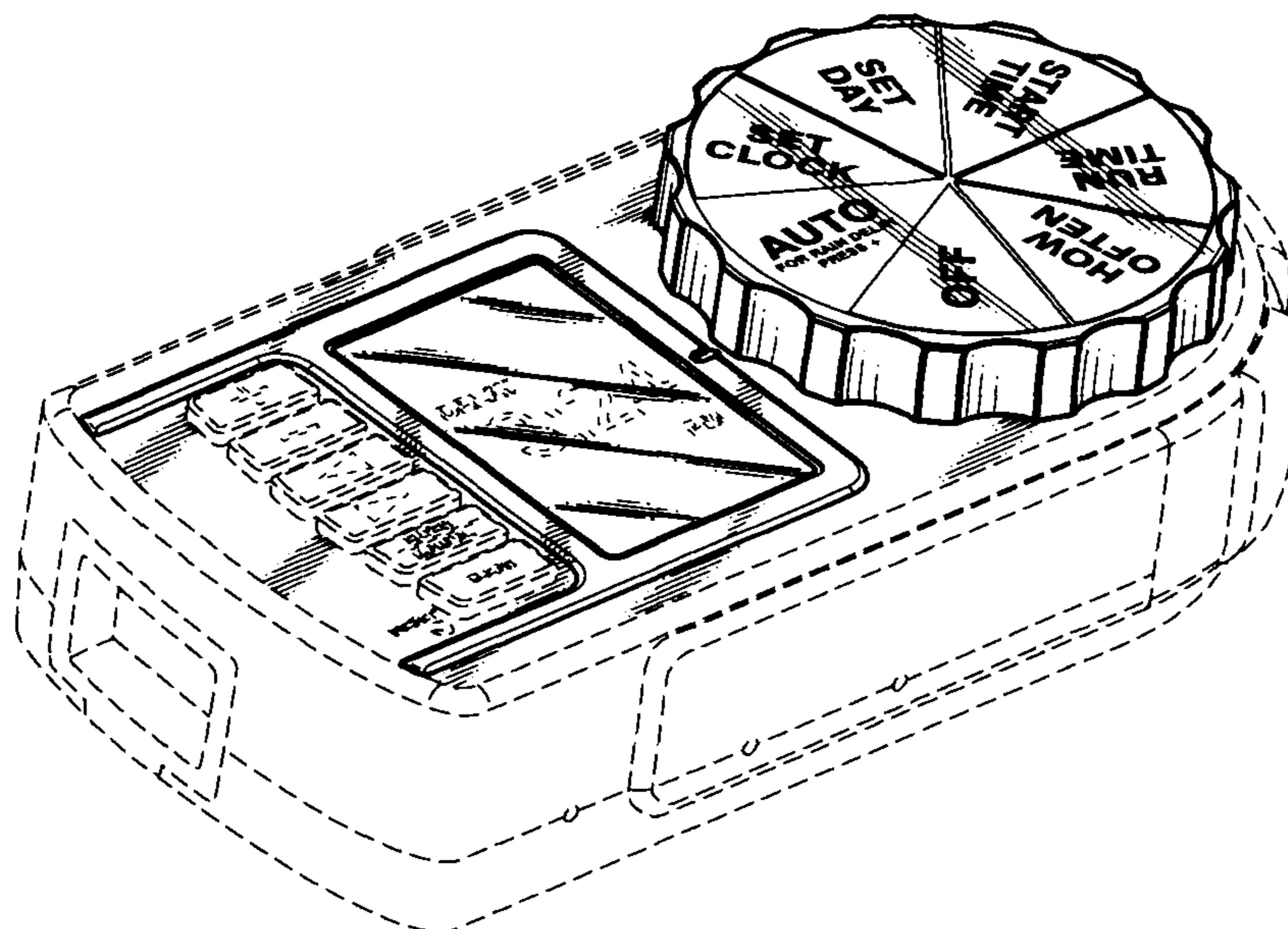
DESCRIPTION

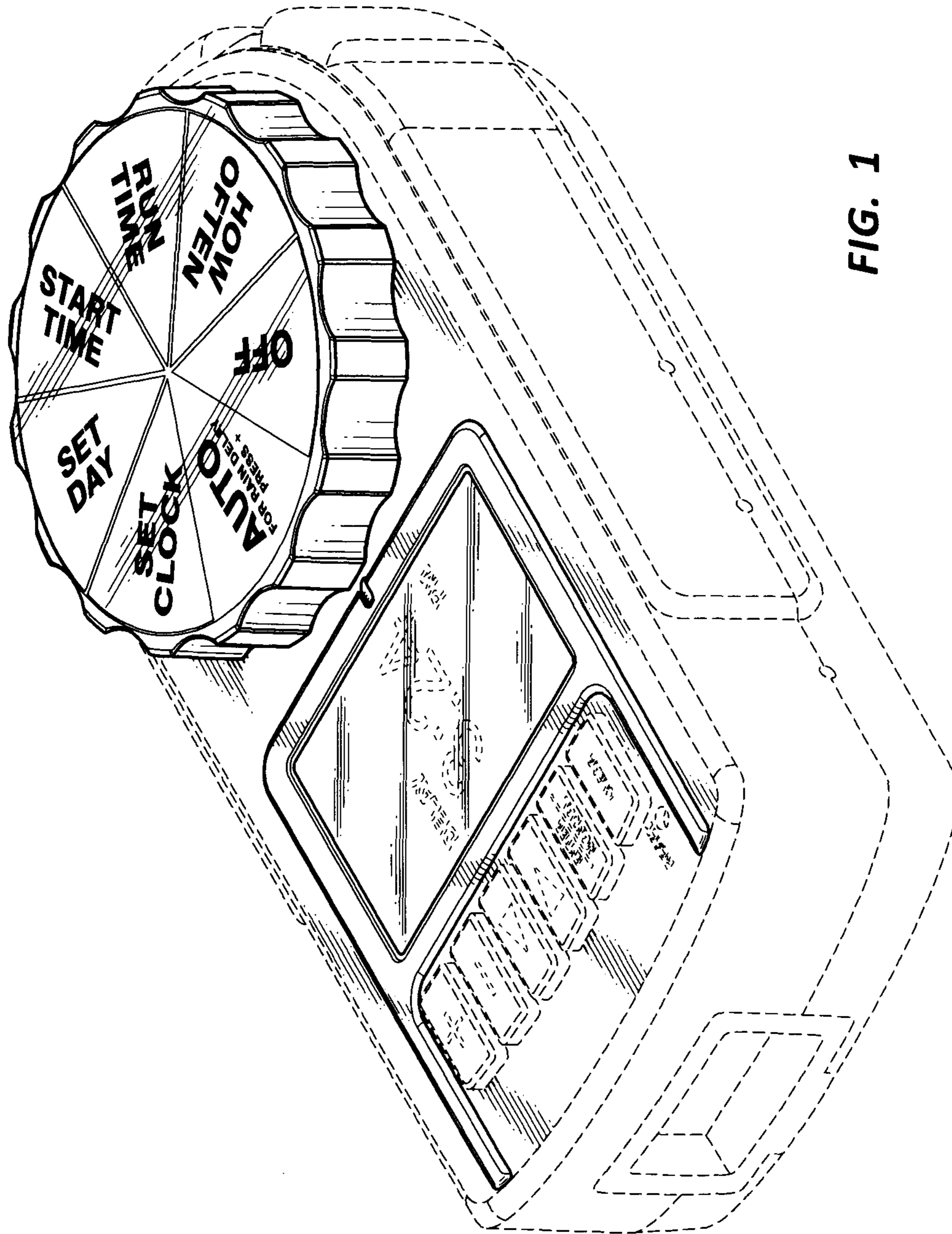
U.S. PATENT DOCUMENTS

4,633,905 A * 1/1987 Wang 137/624.11
 4,807,664 A * 2/1989 Wilson et al. 137/624.11
 D304,224 S * 10/1989 Wilson et al. D23/245
 D365,771 S * 1/1996 Clivio D10/96
 D377,316 S * 1/1997 Roman et al. D10/40
 5,826,619 A * 10/1998 Roman 137/624.11
 D430,044 S * 8/2000 Clivio D10/40
 D431,195 S * 9/2000 Clivio D10/40
 D467,187 S * 12/2002 Clivio D10/40
 D485,502 S * 1/2004 Clivio D10/40
 6,986,364 B1 * 1/2006 Wang 137/624.11
 7,252,113 B2 * 8/2007 Jacobs et al. 137/624.11

FIG. 1 is a perspective view of a user interface for a timer, according to our new design;
 FIG. 2 is a front view of the user interface for a timer;
 FIG. 3 is a top view of the user interface for a timer;
 FIG. 4 is a first side view of the user interface for a timer;
 FIG. 5 is a bottom view of the user interface for a timer, and,
 FIG. 6 is a second side view of the user interface for a timer.
 The portions in broken lines show environmental structure only and form no part of the claimed design.

1 Claim, 3 Drawing Sheets





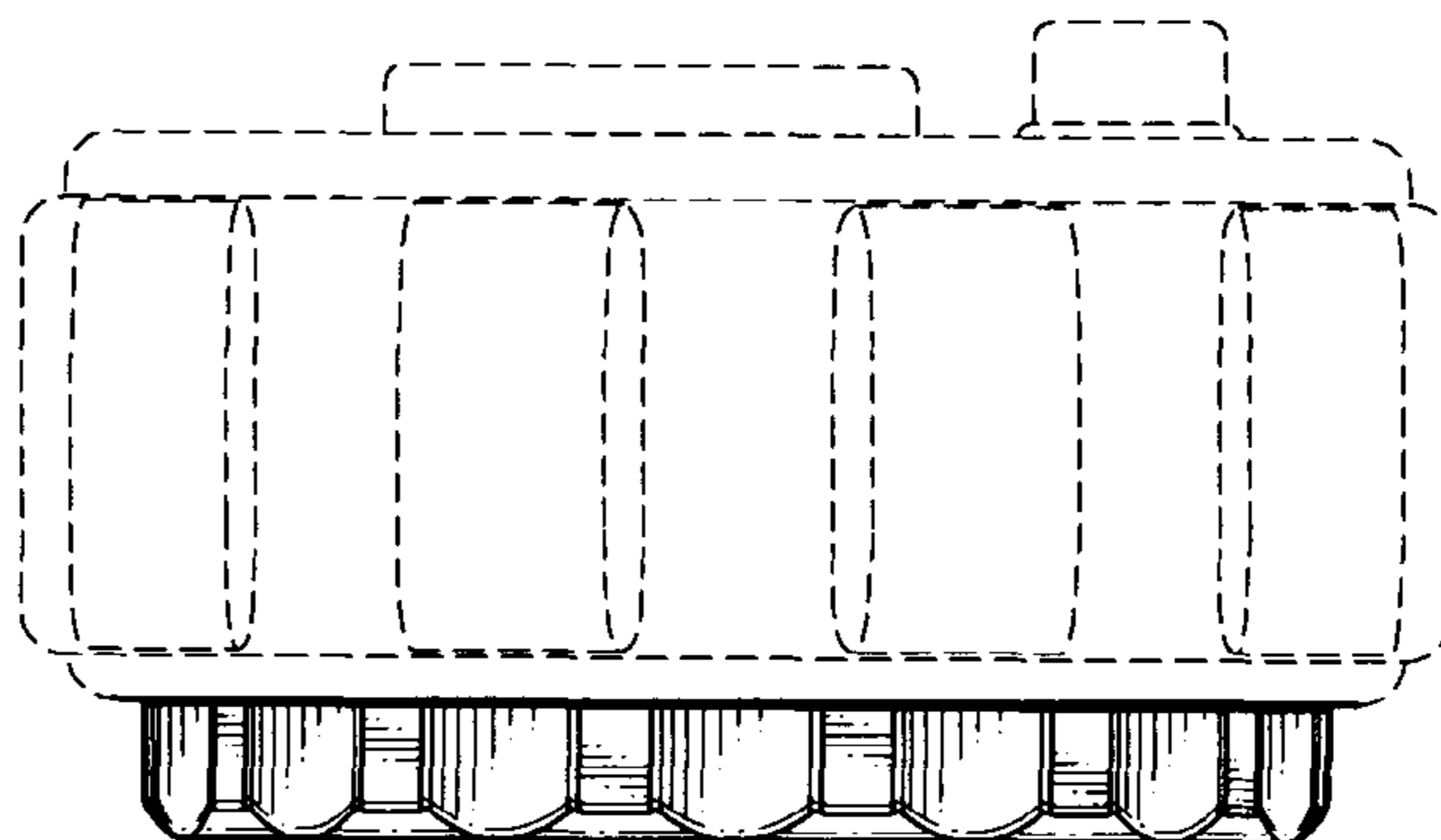


FIG. 4

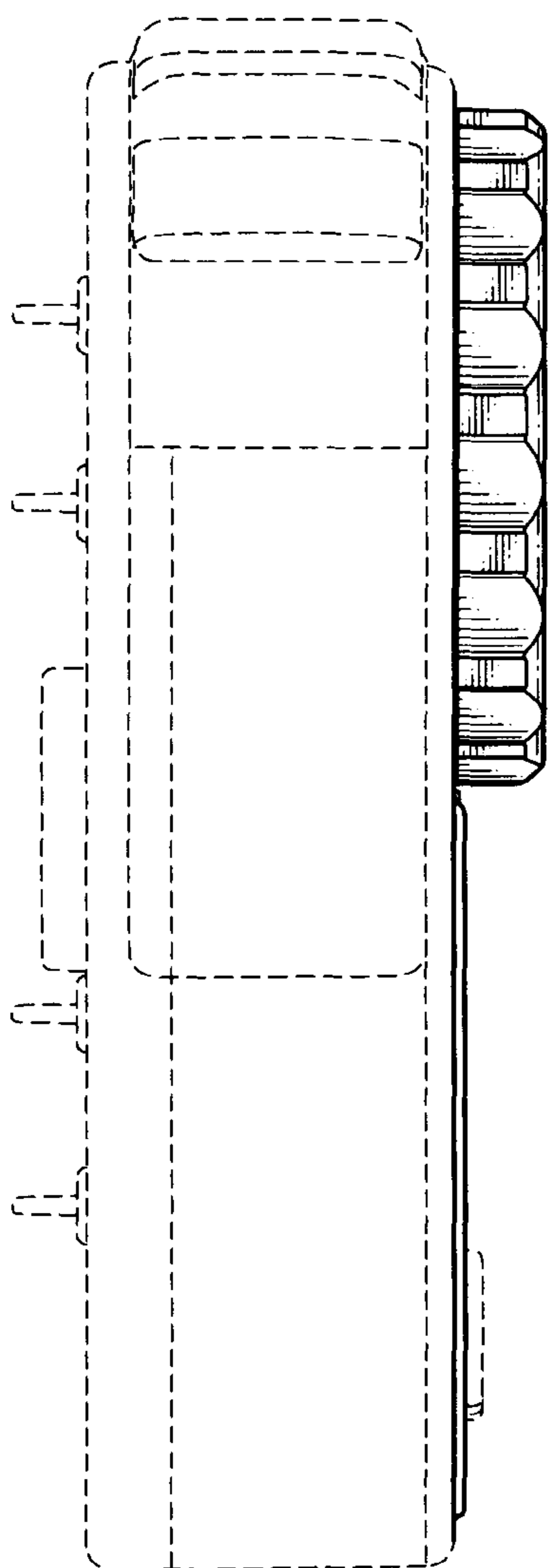


FIG. 3

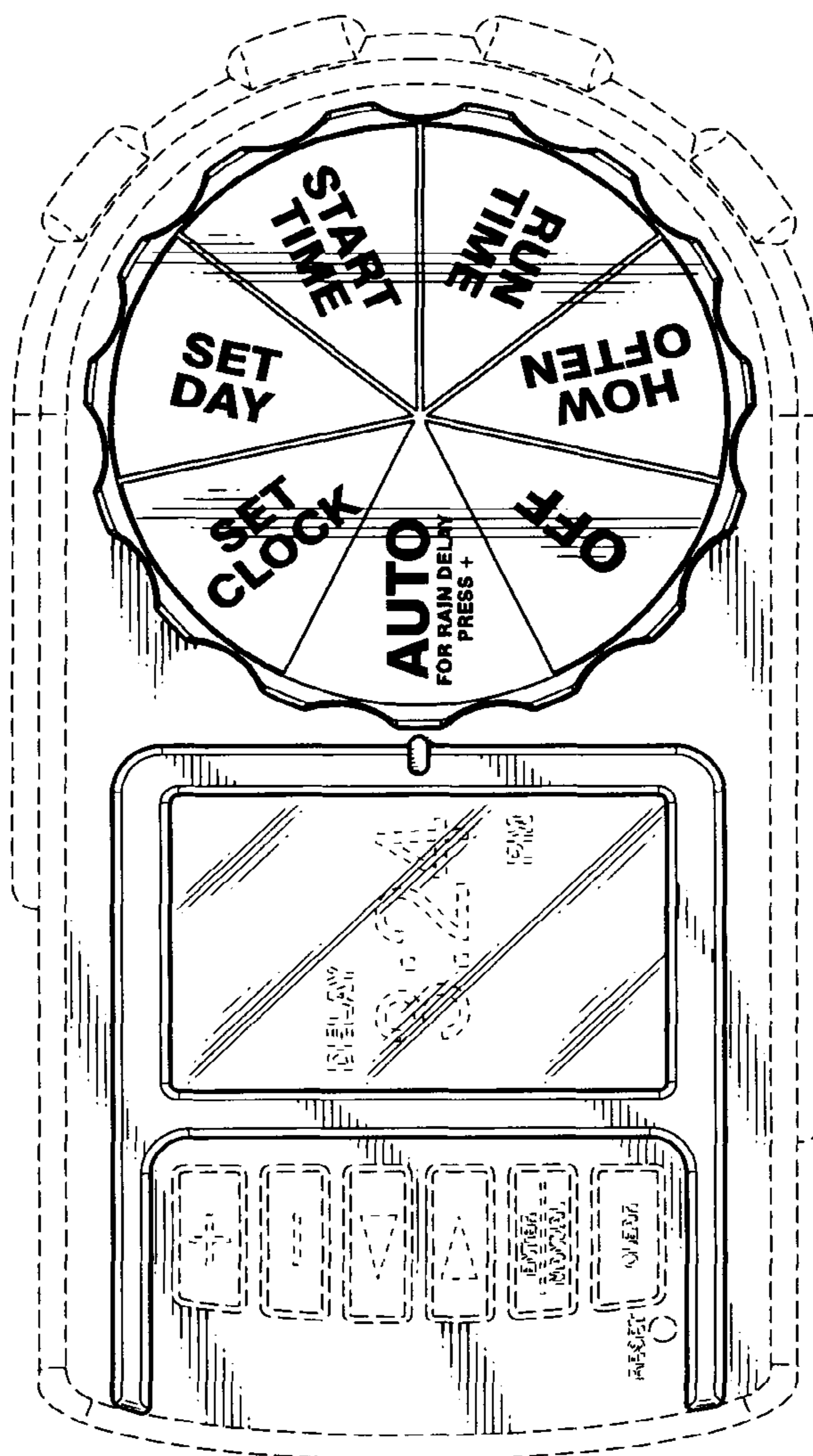


FIG. 2

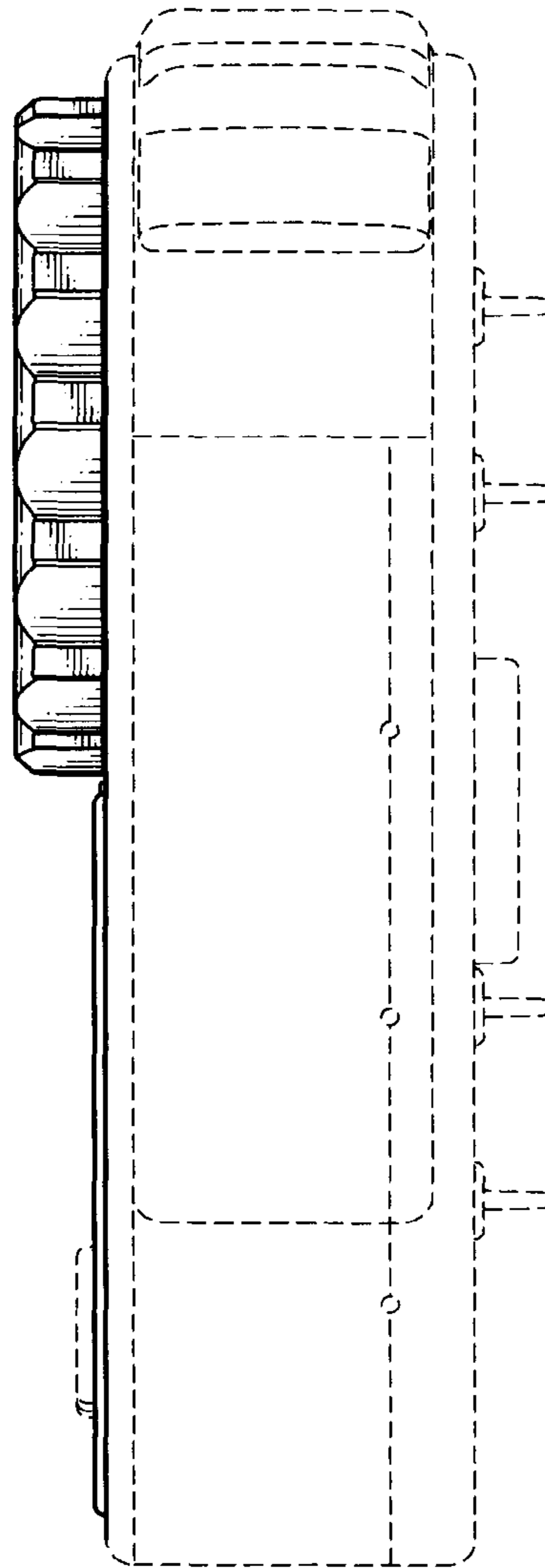


FIG. 5

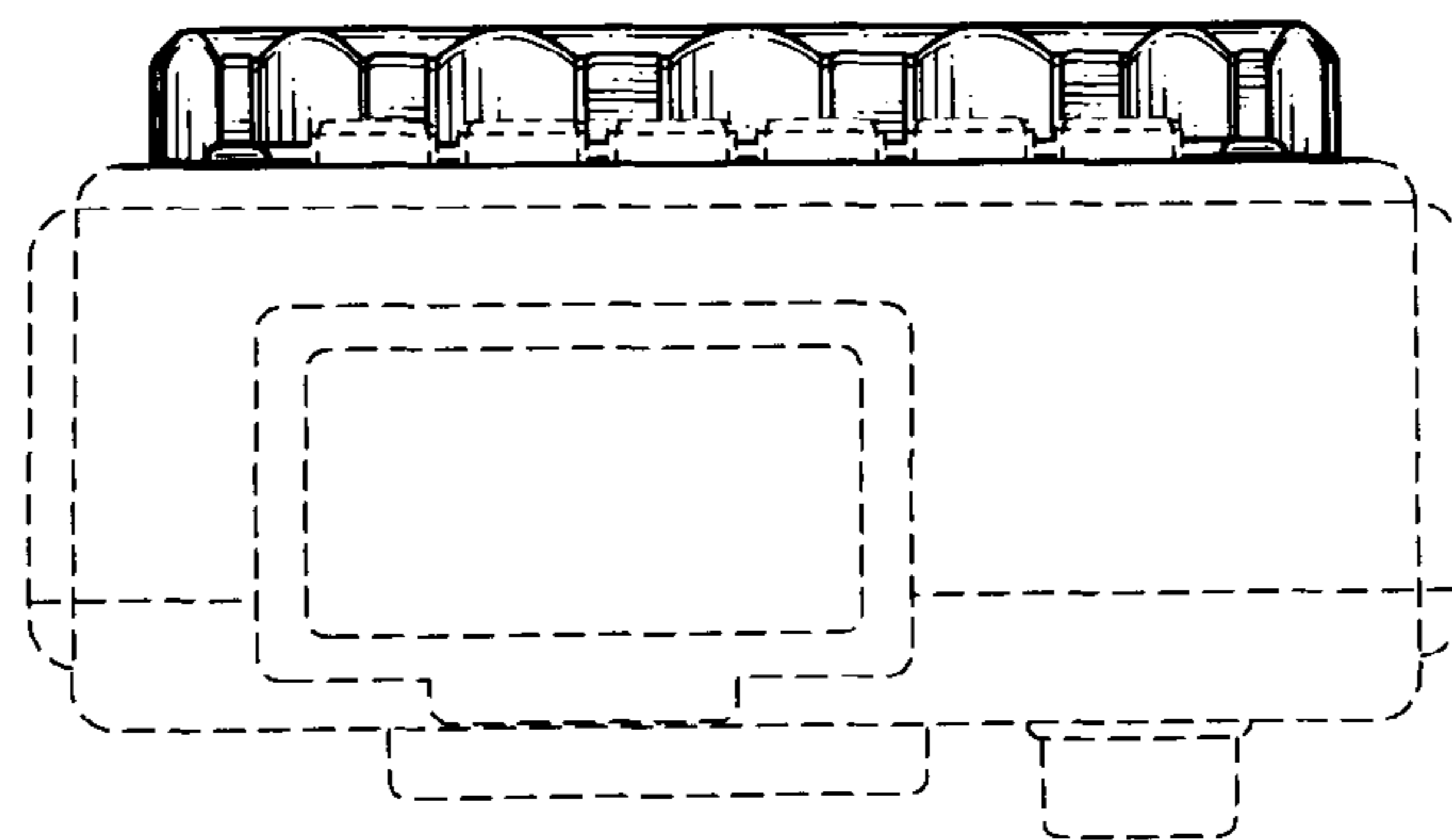


FIG. 6