



US00D658515S

(12) **United States Design Patent**
Mille

(10) **Patent No.:** **US D658,515 S**

(45) **Date of Patent:** **** May 1, 2012**

(54) **WATCH**

(75) Inventor: **Richard Mille**, Moulins (FR)

(73) Assignee: **Turlen Holding SA**, Delémont (CH)

(**) Term: **14 Years**

(21) Appl. No.: **29/391,042**

(22) Filed: **May 3, 2011**

(30) **Foreign Application Priority Data**

Nov. 3, 2010 (WO) DM/074 668

(51) **LOC (9) Cl.** **10-02**

(52) **U.S. Cl.** **D10/39**

(58) **Field of Classification Search** D10/30-39,
D10/123-126; 368/276, 281, 282, 80, 223,
368/228, 232, 285

See application file for complete search history.

(56) **References Cited**

U.S. PATENT DOCUMENTS

4,534,660	A	*	8/1985	Laesser	368/220
D401,864	S	*	12/1998	Navera	D10/32
D404,320	S	*	1/1999	Chodat	D10/39
D438,473	S	*	3/2001	Dumas	D10/39
D456,274	S	*	4/2002	Mille	D10/30
D457,818	S	*	5/2002	Avranches	D10/39
D505,342	S	*	5/2005	Hayek	D10/39
D506,684	S	*	6/2005	Junod	D10/30

D519,390	S	*	4/2006	Lovegrove	D10/39
D530,628	S	*	10/2006	Raffy	D10/32
D540,699	S	*	4/2007	Niculescu	D10/39
D553,020	S	*	10/2007	Sirmakes	D10/32
D568,180	S	*	5/2008	Laucella	D10/39
D570,230	S	*	6/2008	Monachon	D10/32
D573,487	S	*	7/2008	Sanz	D10/39
D579,793	S	*	11/2008	Hayek	D10/39
D606,888	S	*	12/2009	Mille	D10/38
D616,312	S	*	5/2010	Ellia	D10/39
D624,439	S	*	9/2010	Wunderman	D10/32
D629,322	S	*	12/2010	Behling	D10/124
D636,692	S	*	4/2011	Pospieszny et al.	D10/129
D648,639	S	*	11/2011	Mille	D10/39
D650,708	S	*	12/2011	Laucella	D10/39

* cited by examiner

Primary Examiner — Lucy Lieberman

(74) *Attorney, Agent, or Firm* — Collen IP; Donald J. Ranft

(57) **CLAIM**

The ornamental design for a watch, as shown.

DESCRIPTION

FIG. 1 is a front view of a watch showing our new design;
FIG. 2 is a rear view thereof;
FIG. 3 is a right side view thereof;
FIG. 4 is left side view thereof;
FIG. 5 is a bottom view thereof;
FIG. 6 is a front perspective view thereof; and,
FIG. 7 is a rear perspective view thereof.

1 Claim, 7 Drawing Sheets





Fig. 1



Fig. 2

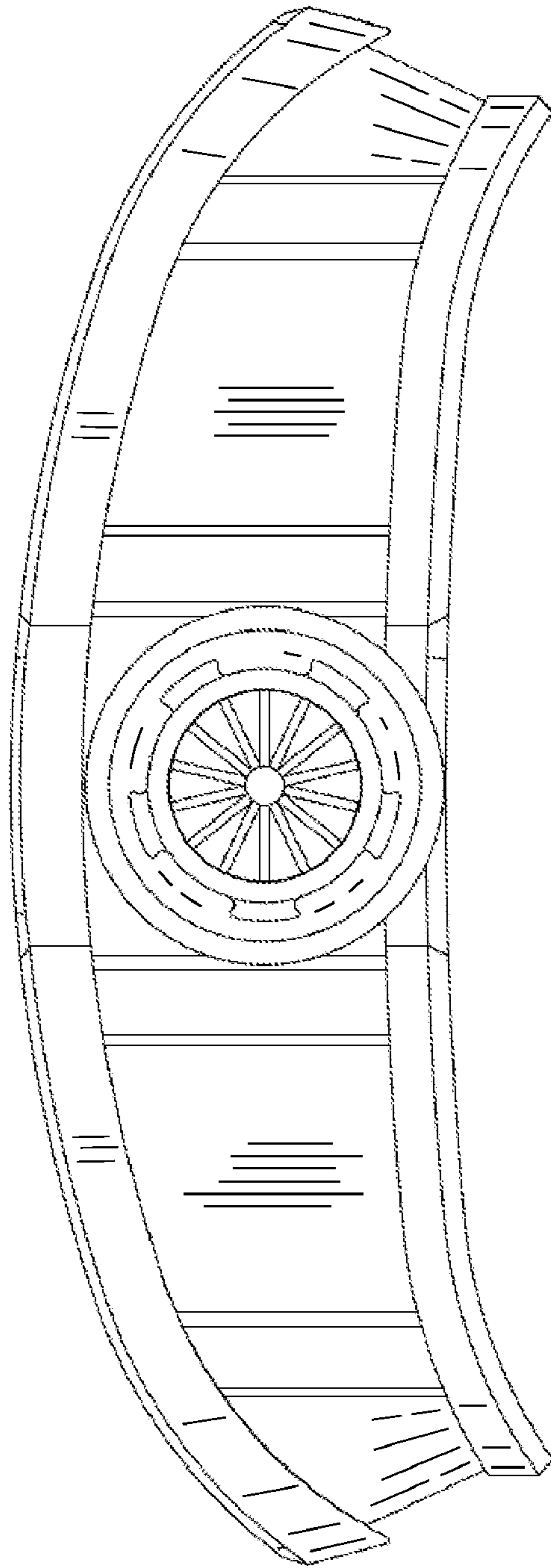


Fig. 3

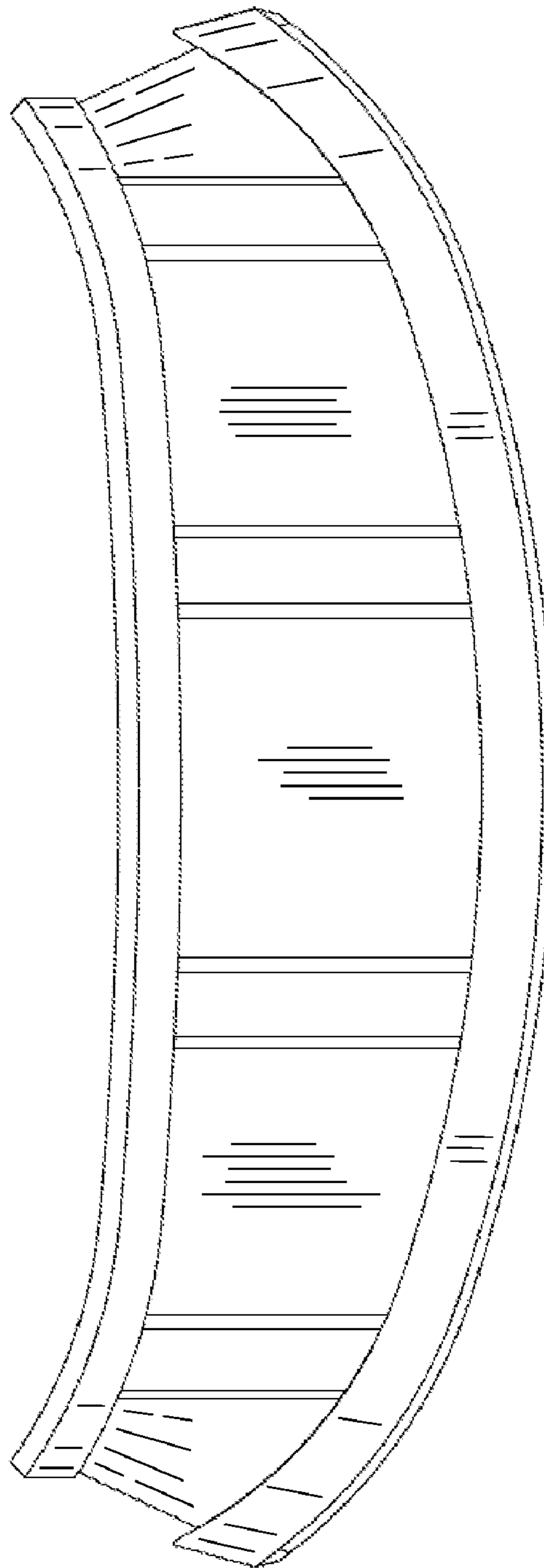


Fig. 4

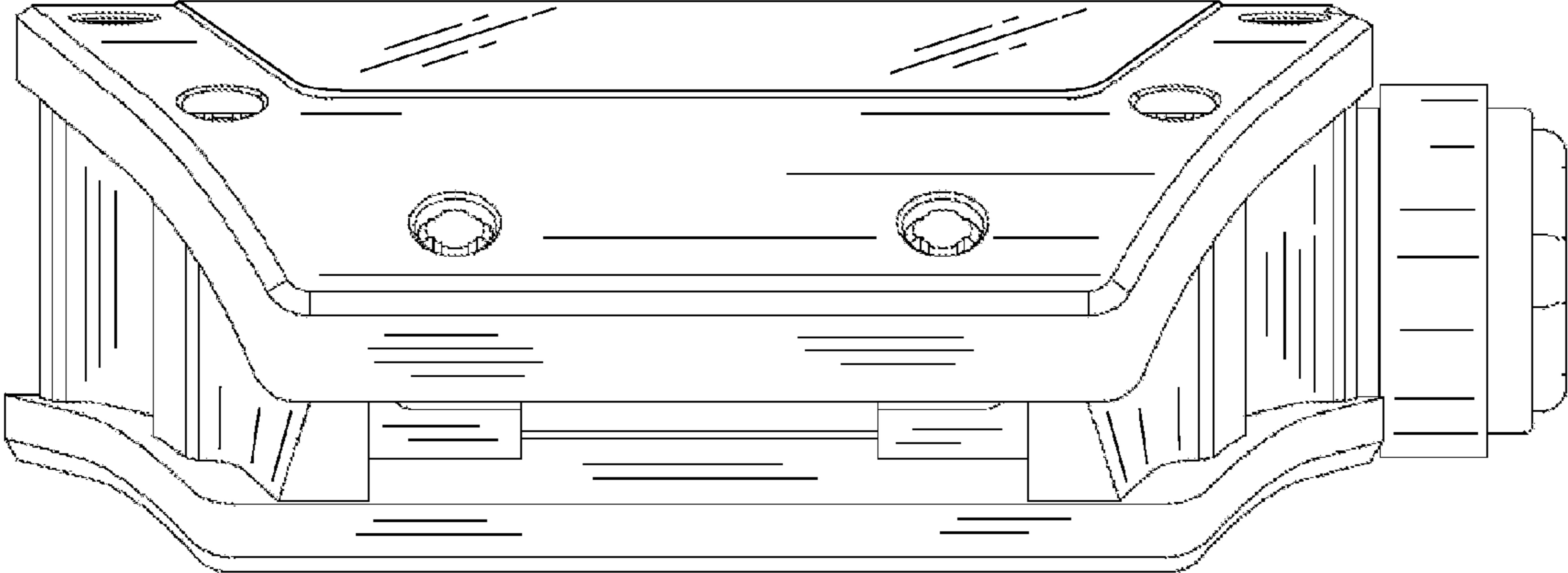


Fig. 5

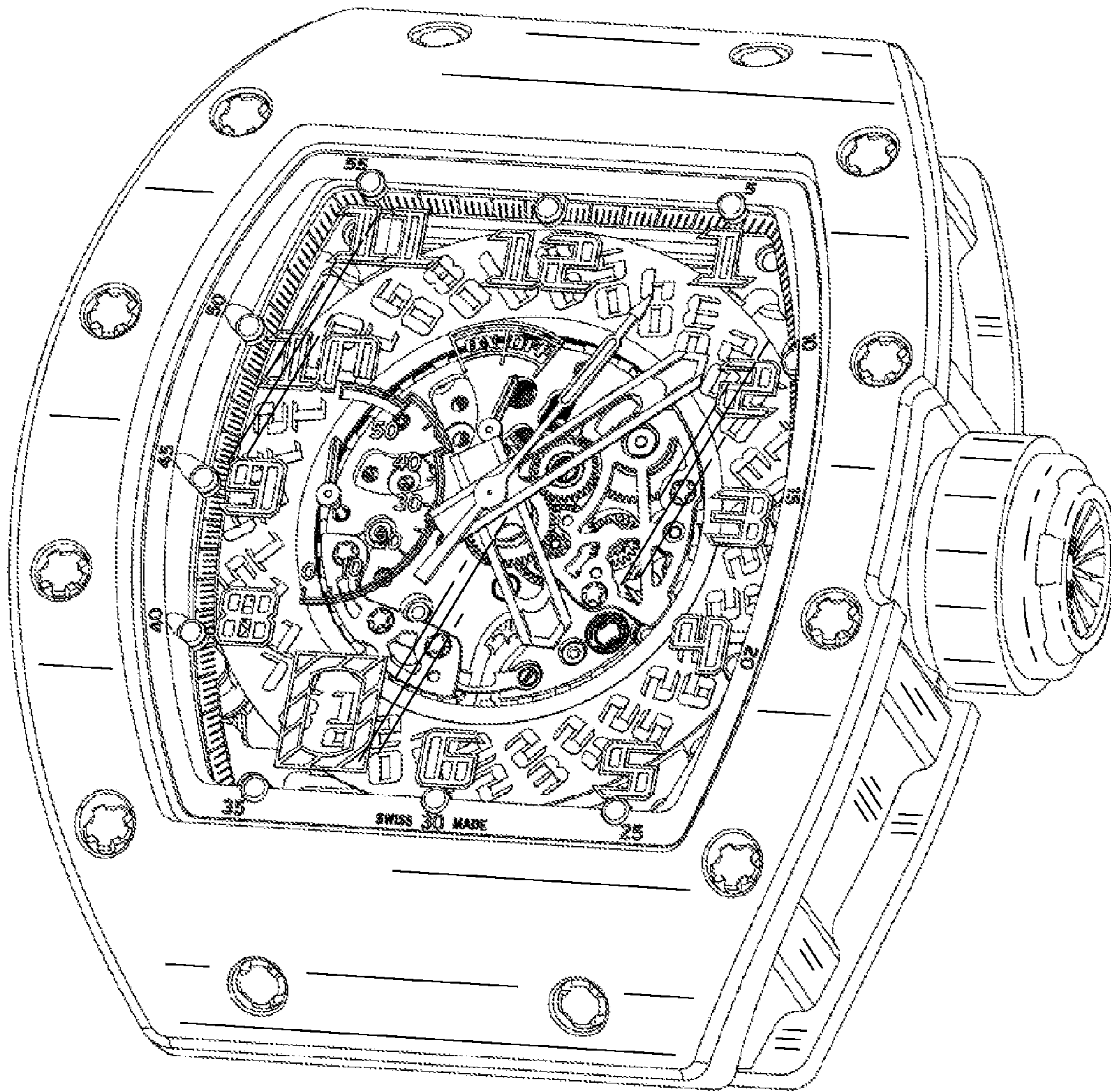


Fig. 6



Fig. 7