



US00D658501S

(12) **United States Design Patent**
Modaberi

(10) **Patent No.:** **US D658,501 S**

(45) **Date of Patent:** **** May 1, 2012**

(54) **BOX**

(76) Inventor: **Mohsen John Modaberi**, London (GB)

(**) Term: **14 Years**

(21) Appl. No.: **29/387,893**

(22) Filed: **Mar. 21, 2011**

(51) **LOC (9) Cl.** **09-01**

(52) **U.S. Cl.** **D9/620; D9/600; D21/578**

(58) **Field of Classification Search** **D9/600,**
D9/614-623, 414, 430-434; D21/578, 585;
206/457, 527; 220/890

See application file for complete search history.

(56) **References Cited**

U.S. PATENT DOCUMENTS

D204,394 S *	4/1966	Wendt	D21/578
D217,267 S *	4/1970	Tally	D21/578
D229,550 S *	12/1973	Heller	D9/620
4,740,187 A *	4/1988	Rasmussen et al.	206/457
6,283,279 B1 *	9/2001	Harrington	206/457
6,695,667 B1 *	2/2004	Kee	206/457

* cited by examiner

Primary Examiner — Sandra Morris

(74) *Attorney, Agent, or Firm* — Cooper & Dunham LLP

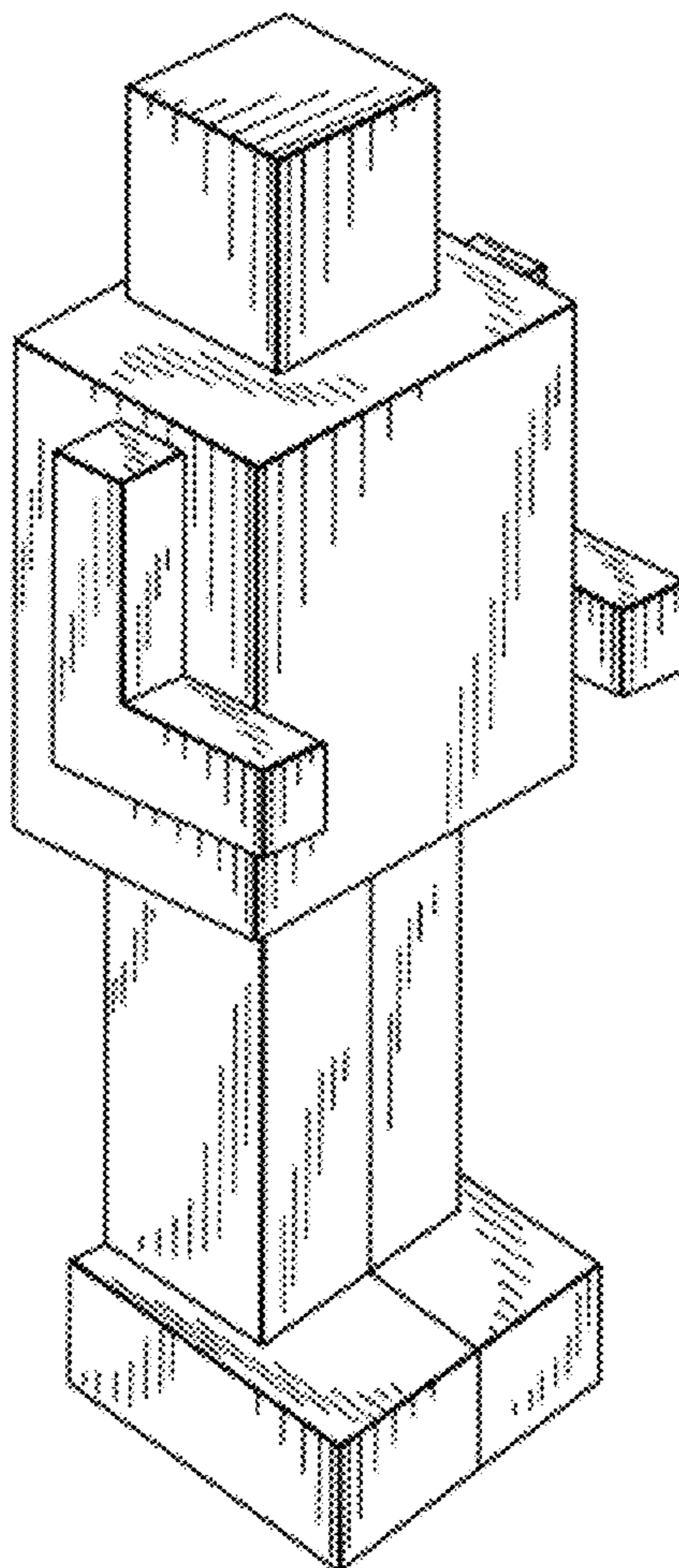
(57) **CLAIM**

I claim an ornamental design for a box, as shown and described.

DESCRIPTION

FIG. 1 is a front perspective view of the claimed design.
FIG. 2 is a top view of the claimed design of FIG. 1.
FIG. 3 is a right side elevational view of the claimed design of FIG. 1.
FIG. 4 is a front elevational view of the claimed design of FIG. 1.
FIG. 5 is a left side elevational view of the claimed design of FIG. 1; and,
FIG. 6 is a bottom view of the claimed design of FIG. 1.

1 Claim, 3 Drawing Sheets



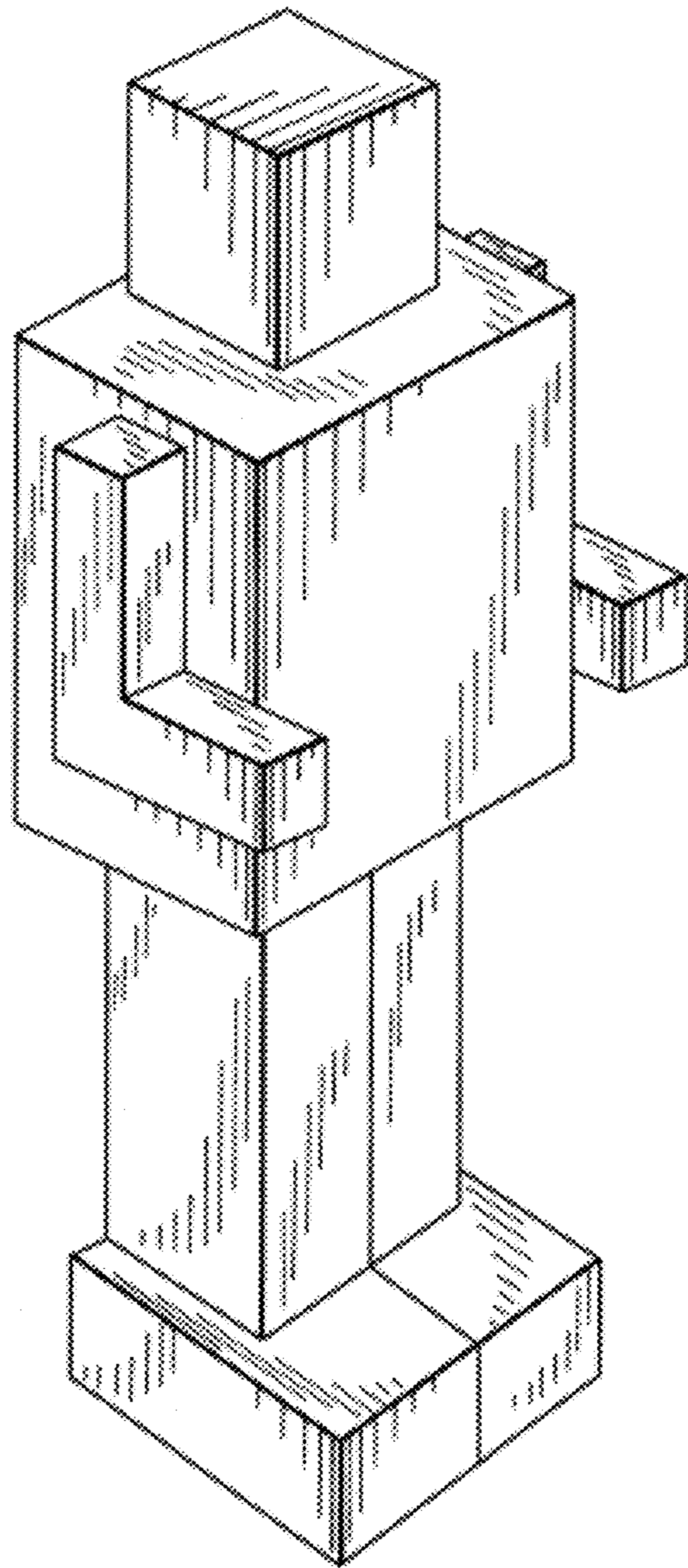


FIG. 1

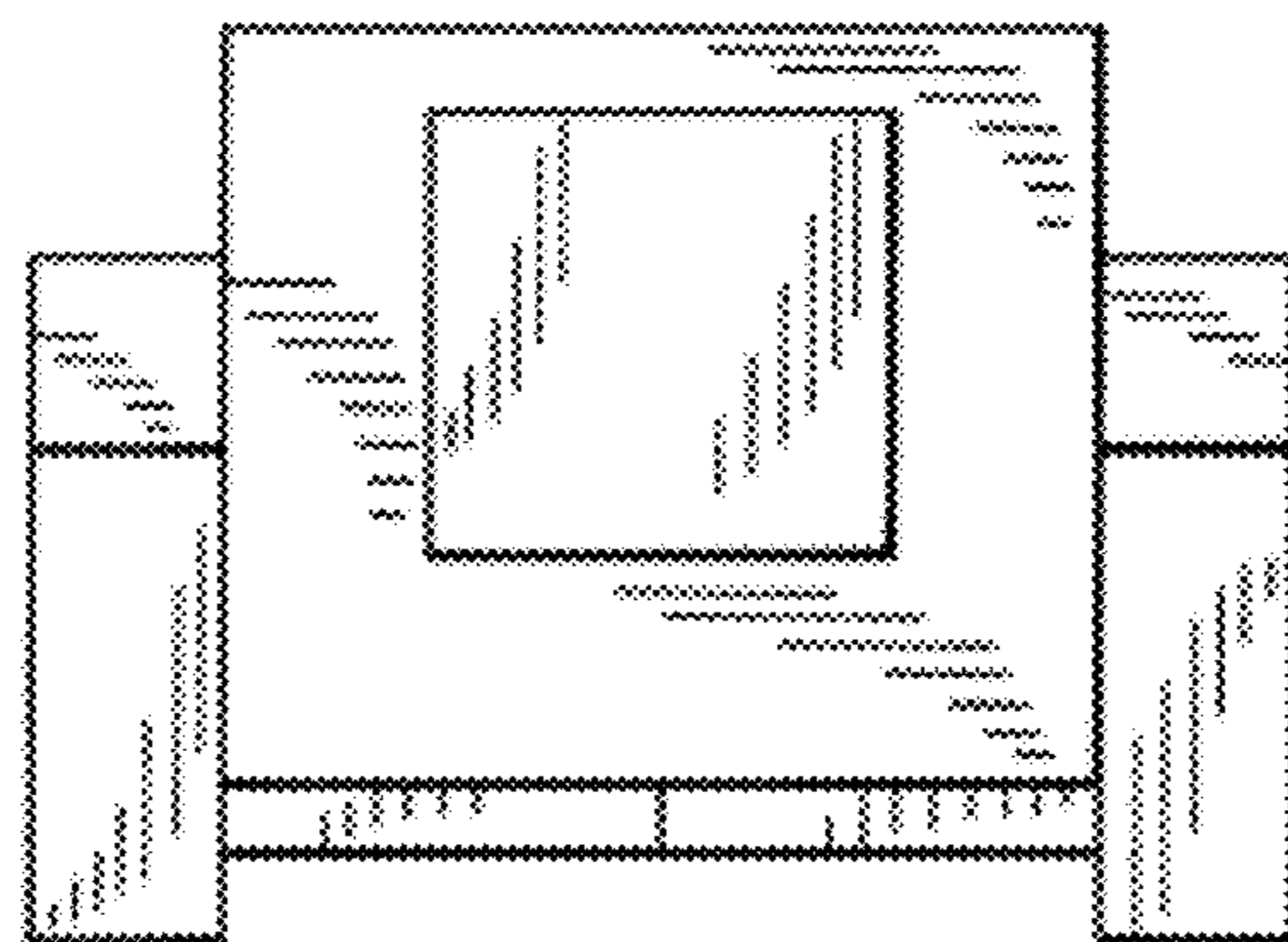


FIG. 2

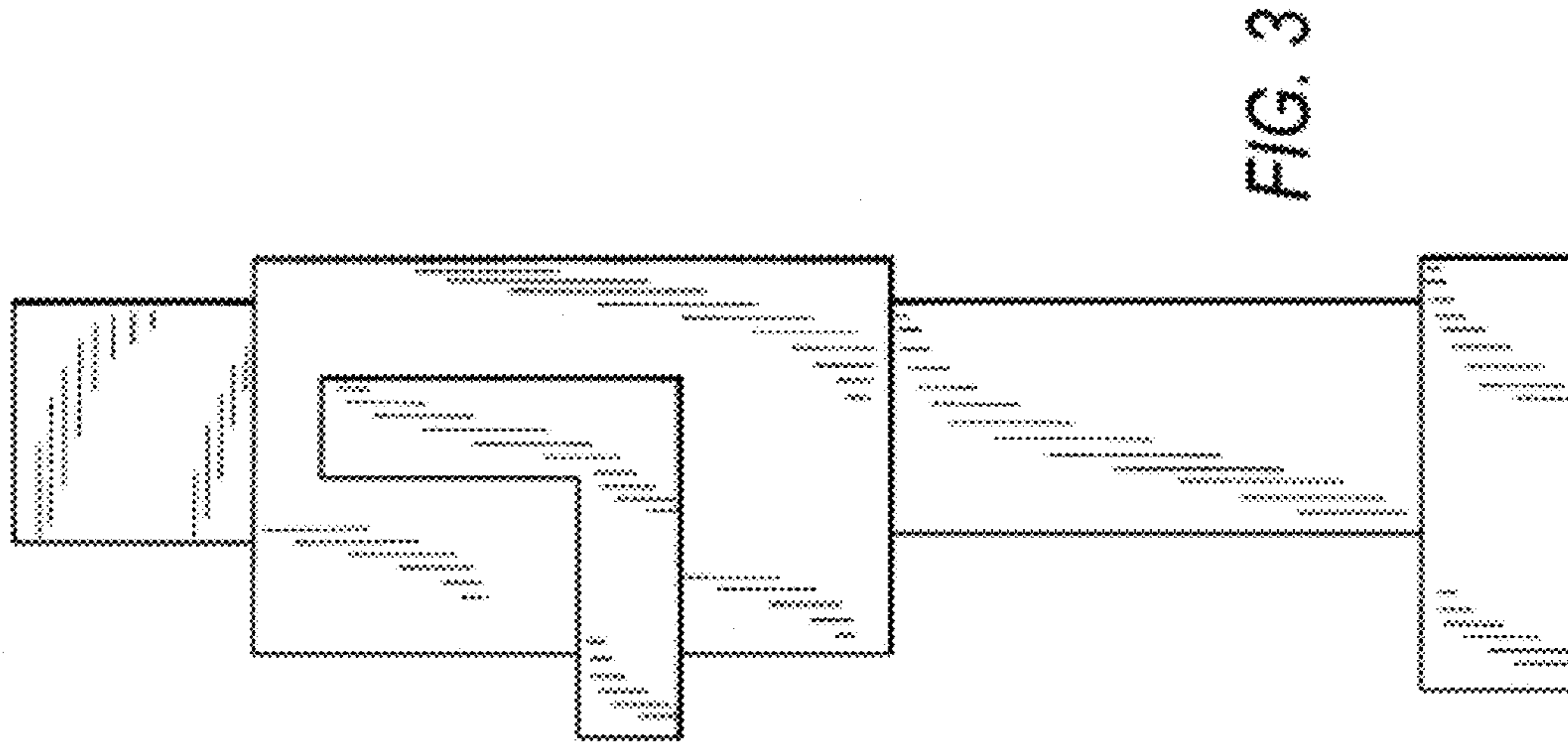


FIG. 3

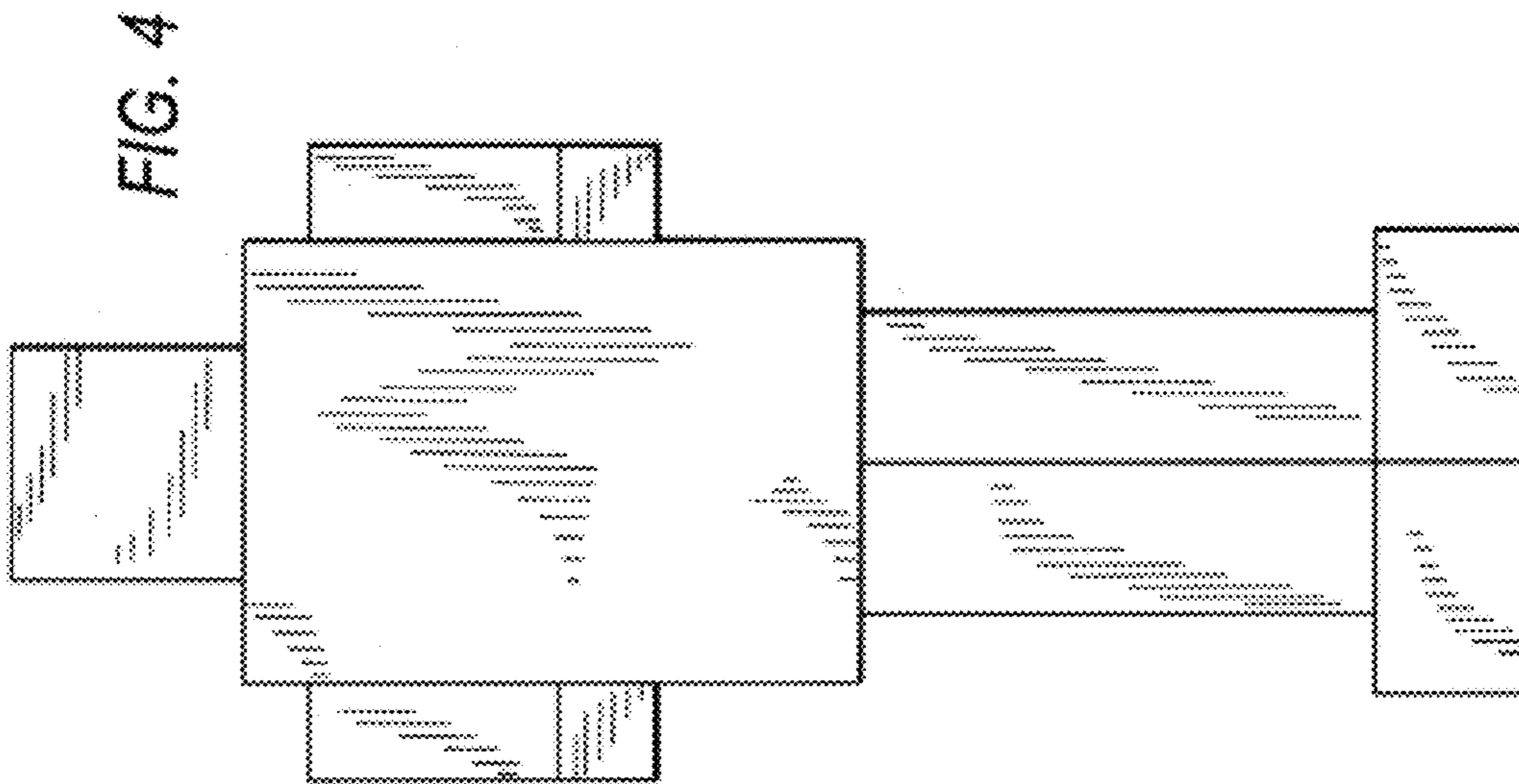


FIG. 4



FIG. 5

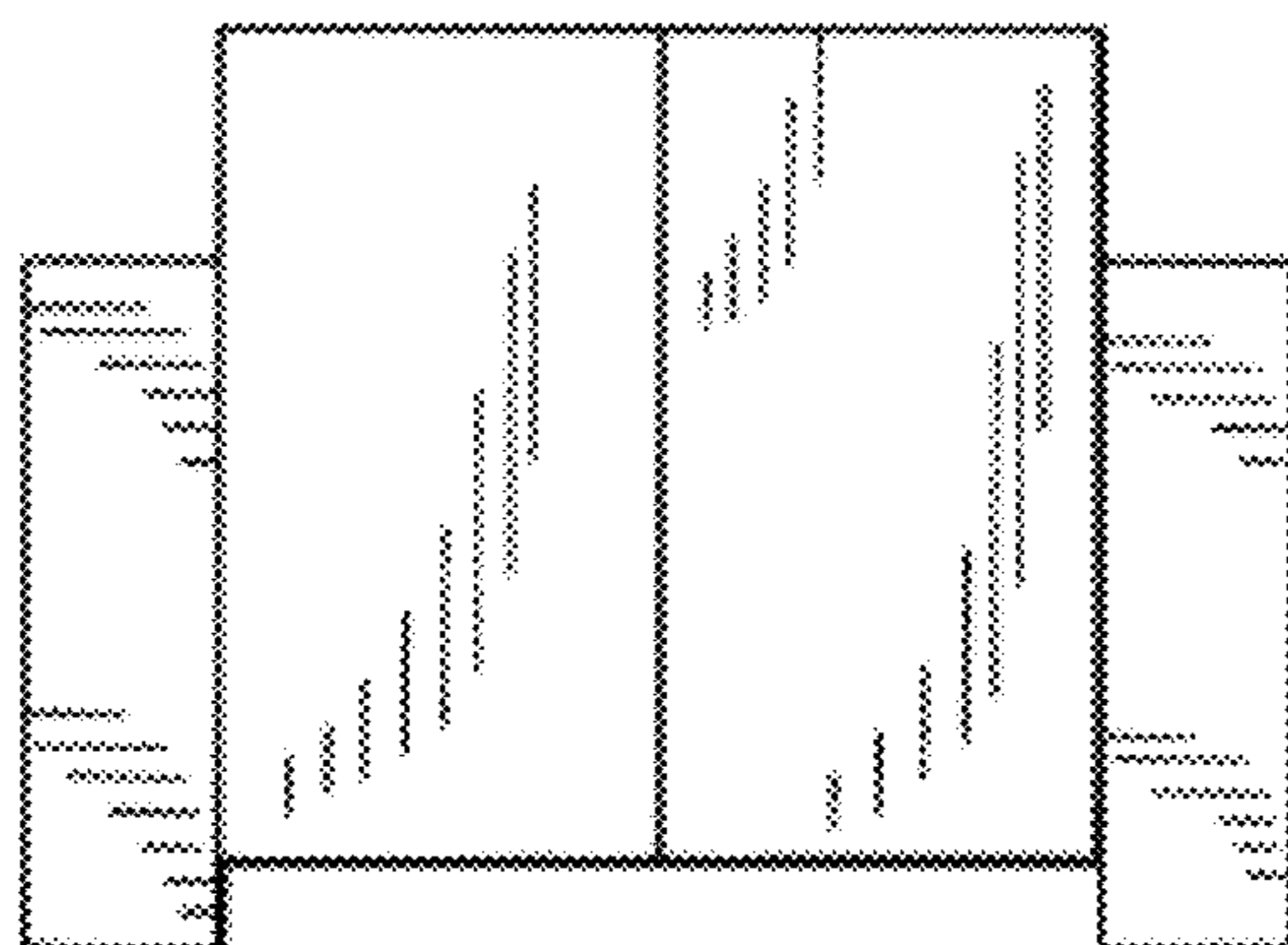


FIG. 6