



US00D658499S

(12) **United States Design Patent**
Wycoff

(10) **Patent No.:** **US D658,499 S**

(45) **Date of Patent:** **** May 1, 2012**

(54) **PLASTIC VESSEL WITH HANDLE**

(75) Inventor: **Jeffrey Wycoff**, Boulder, CO (US)

(73) Assignee: **Sirius Products, Inc.**, Longmont, CO (US)

(**) Term: **14 Years**

(21) Appl. No.: **29/348,530**

(22) Filed: **Jan. 15, 2010**

(51) **LOC (9) Cl.** **09-01**

(52) **U.S. Cl.** **D9/528**

(58) **Field of Classification Search** D9/516,
D9/523-528, 530, 531, 537, 540, 543, 550,
D9/552, 563, 565, 571, 572, 575; D23/211.1,
D23/211.2, 212; 215/200, 371, 381-385,
215/396, 398; 220/660, 669, 679, 752
See application file for complete search history.

(56) **References Cited**

U.S. PATENT DOCUMENTS

D459,993 S *	7/2002	Clarke et al.	D9/528
D531,908 S *	11/2006	Mayers	D9/531
D536,983 S *	2/2007	Robinson	D9/528
D539,152 S *	3/2007	Brauner et al.	D9/528
D580,268 S *	11/2008	Roman et al.	D9/516
D582,776 S *	12/2008	Cardinal et al.	D9/528
D609,577 S *	2/2010	Mayers et al.	D9/629

D613,608 S *	4/2010	Floyd et al.	D9/528
D621,269 S *	8/2010	Matsumura et al.	D9/531
D623,065 S *	9/2010	Varon et al.	D9/528
D624,420 S *	9/2010	Manderfield et al.	D9/516

* cited by examiner

Primary Examiner — Stella Reid

Assistant Examiner — Keli L Hill

(74) *Attorney, Agent, or Firm* — Craig Miles; CR Miles P.C.

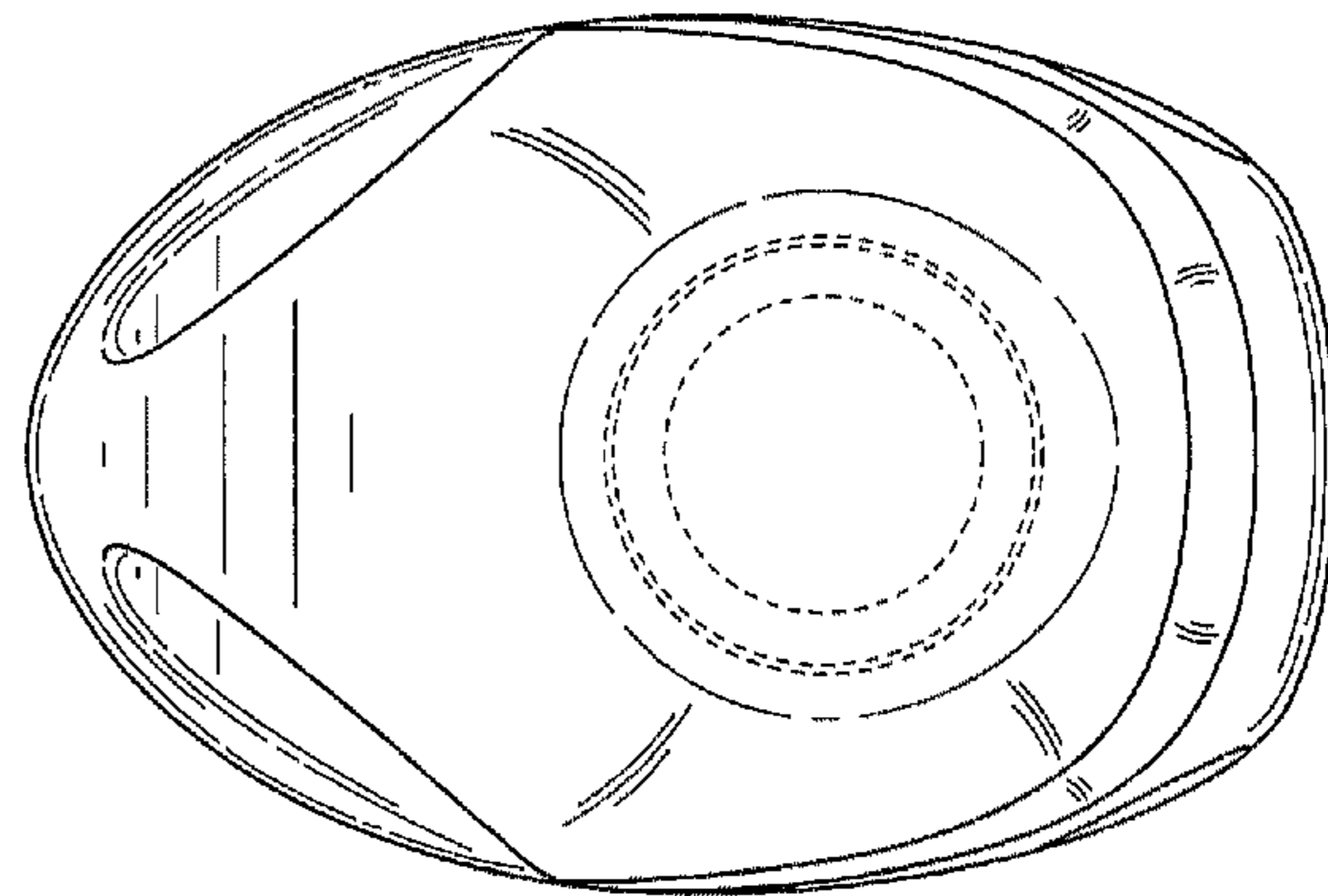
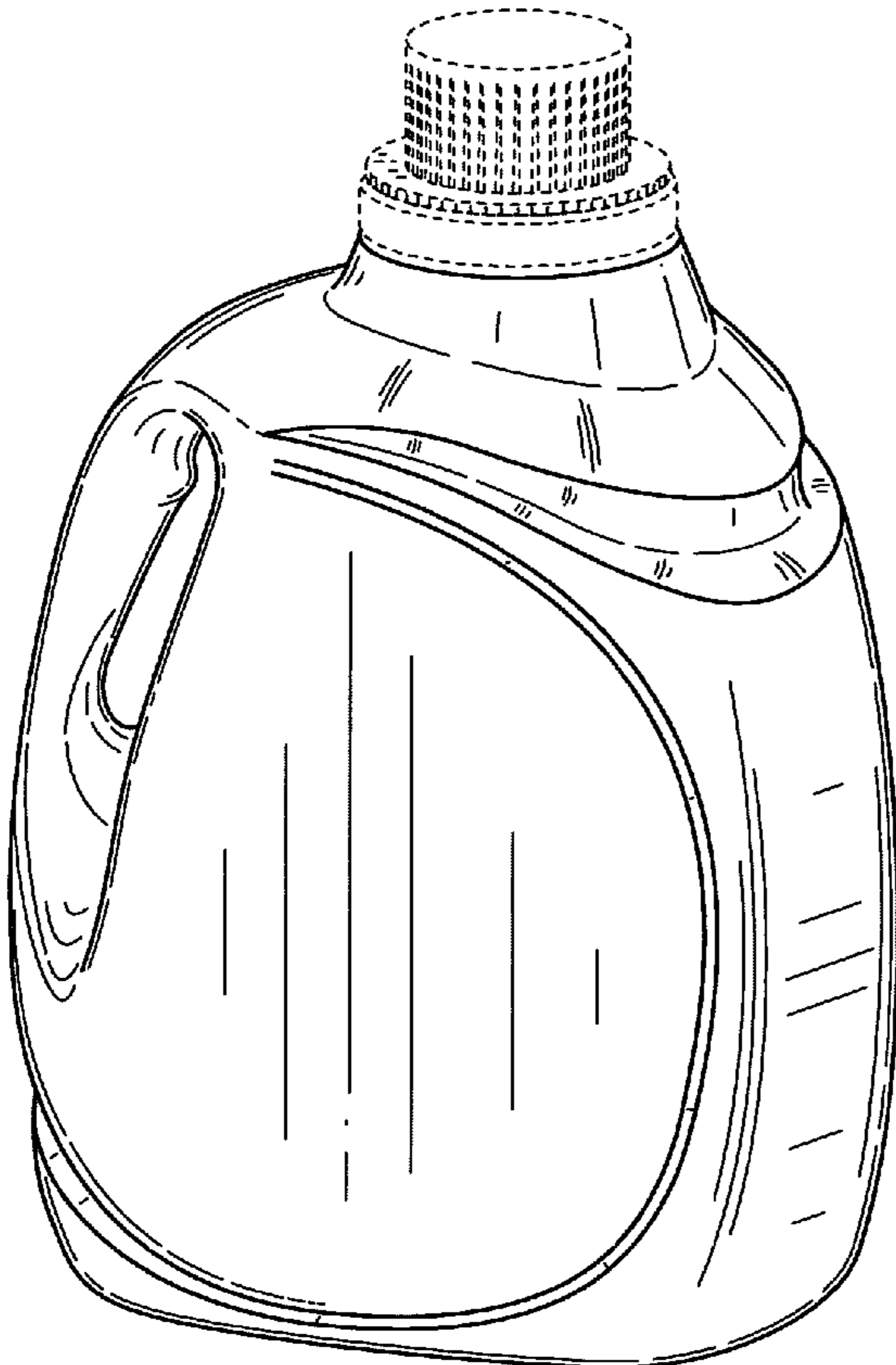
(57) **CLAIM**

The ornamental design for a plastic vessel with a handle, as shown and described.

DESCRIPTION

FIG. 1 is a front and right side perspective view of a plastic vessel embodying my new design;
FIG. 2 is a right side elevation view thereof;
FIG. 3 is a left side elevation view thereof;
FIG. 4 is a front elevation view thereof;
FIG. 5 is a rear elevation view thereof;
FIG. 6 is a top plan view thereof; and,
FIG. 7 is a bottom plan view thereof.
The broken lines shown are included for the purpose of illustrating the unclaimed portions of the article and form no part of the claim.

1 Claim, 5 Drawing Sheets



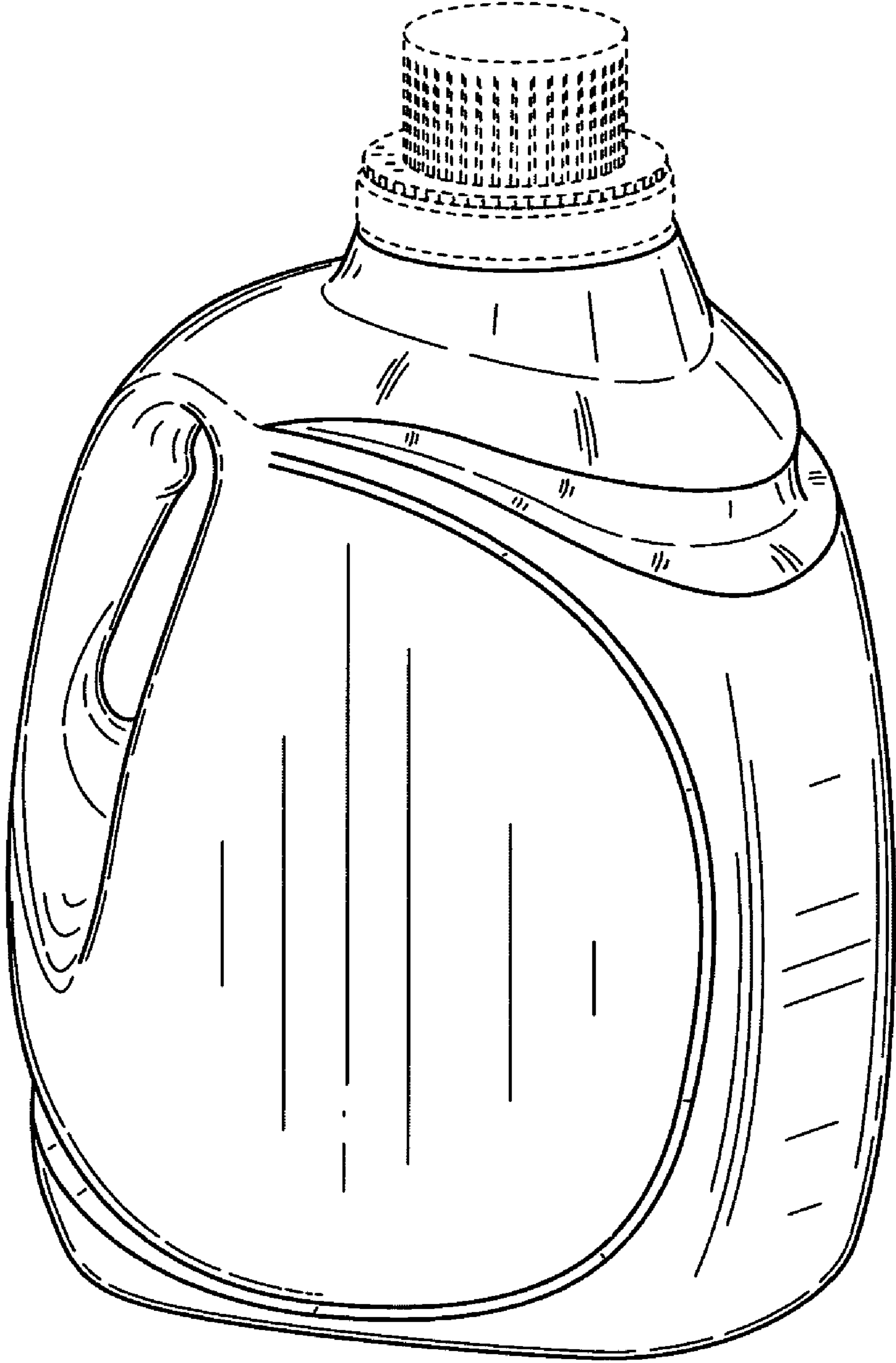


FIG. 1

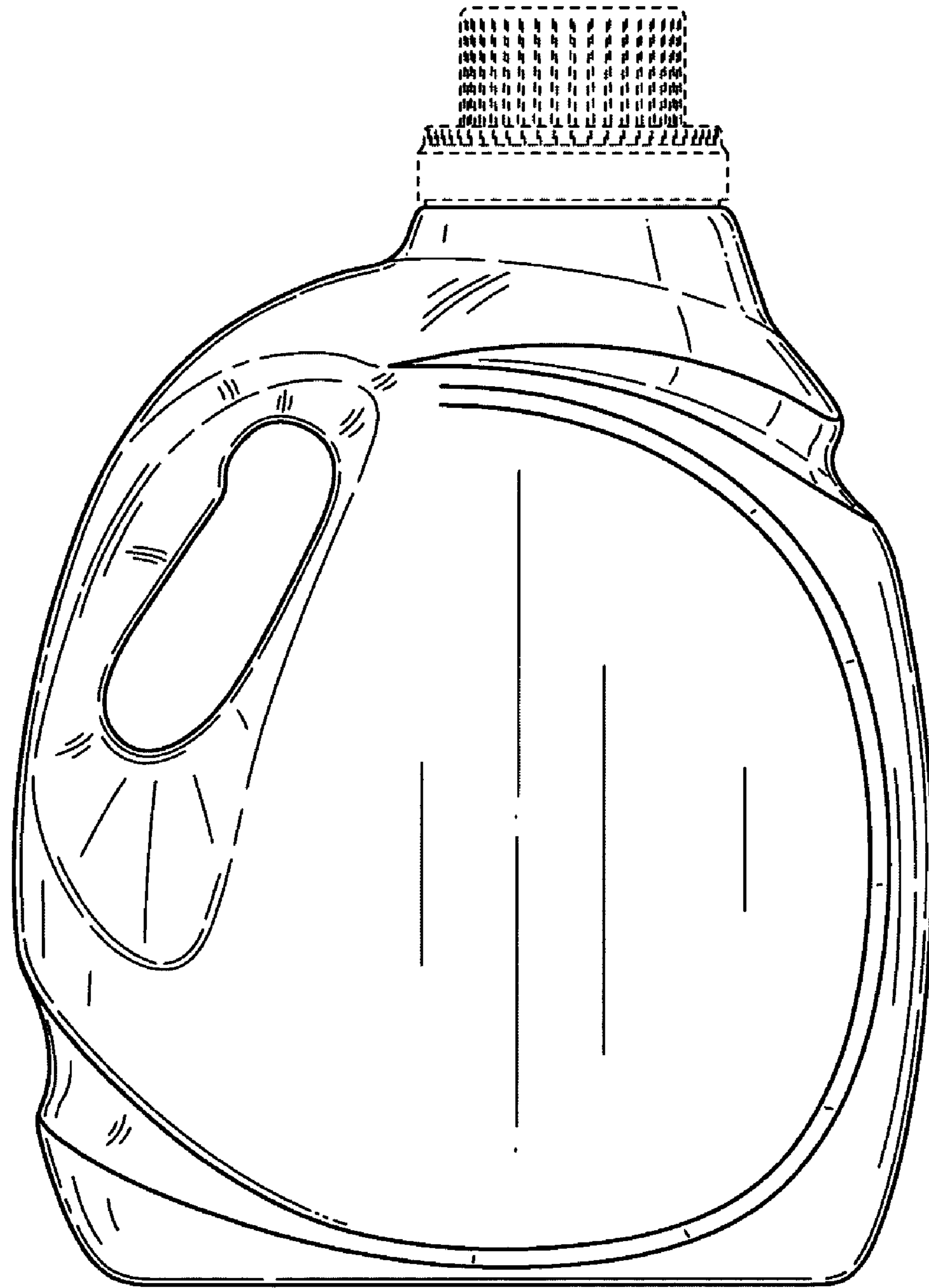


FIG. 2

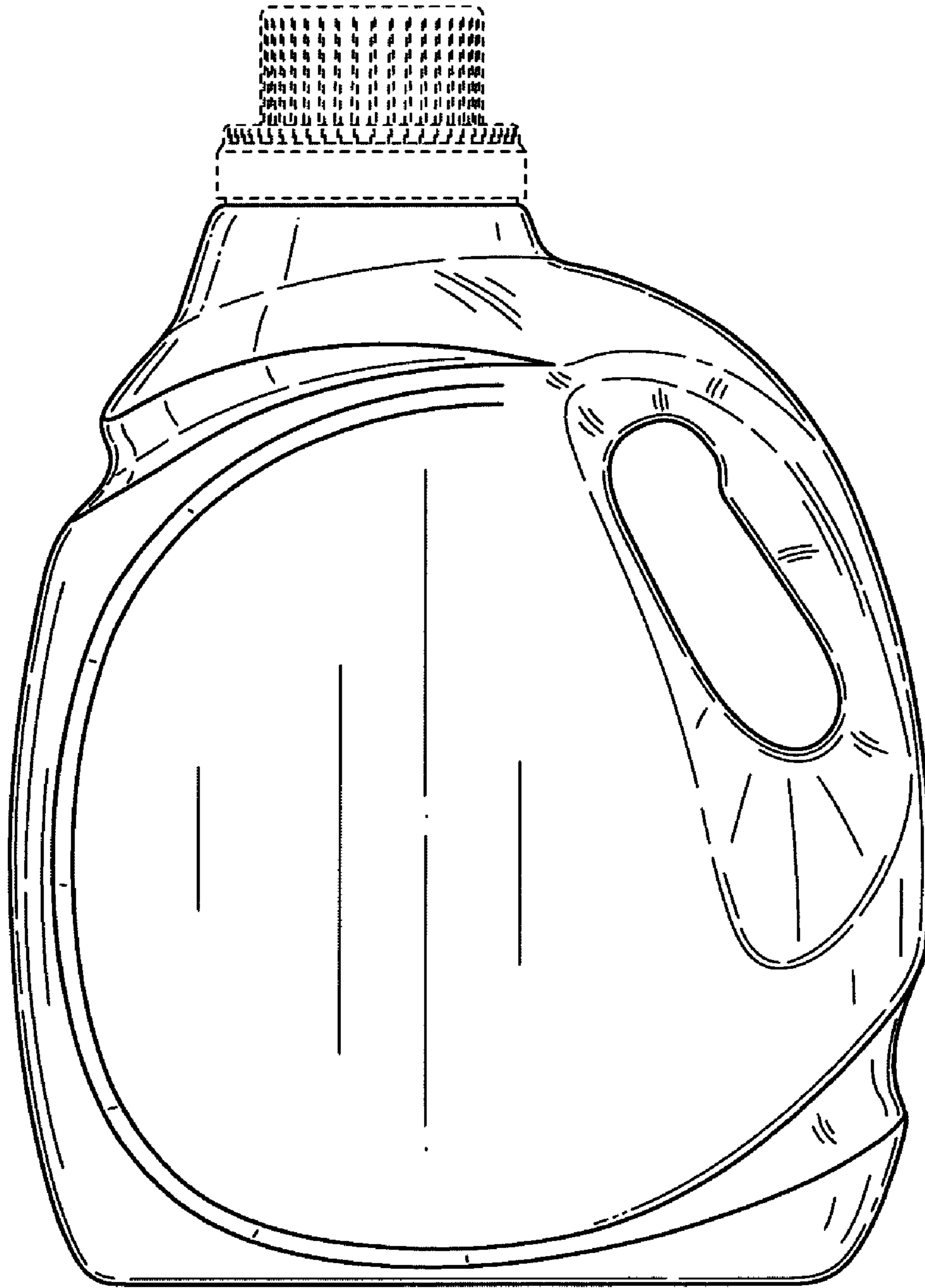


FIG. 3

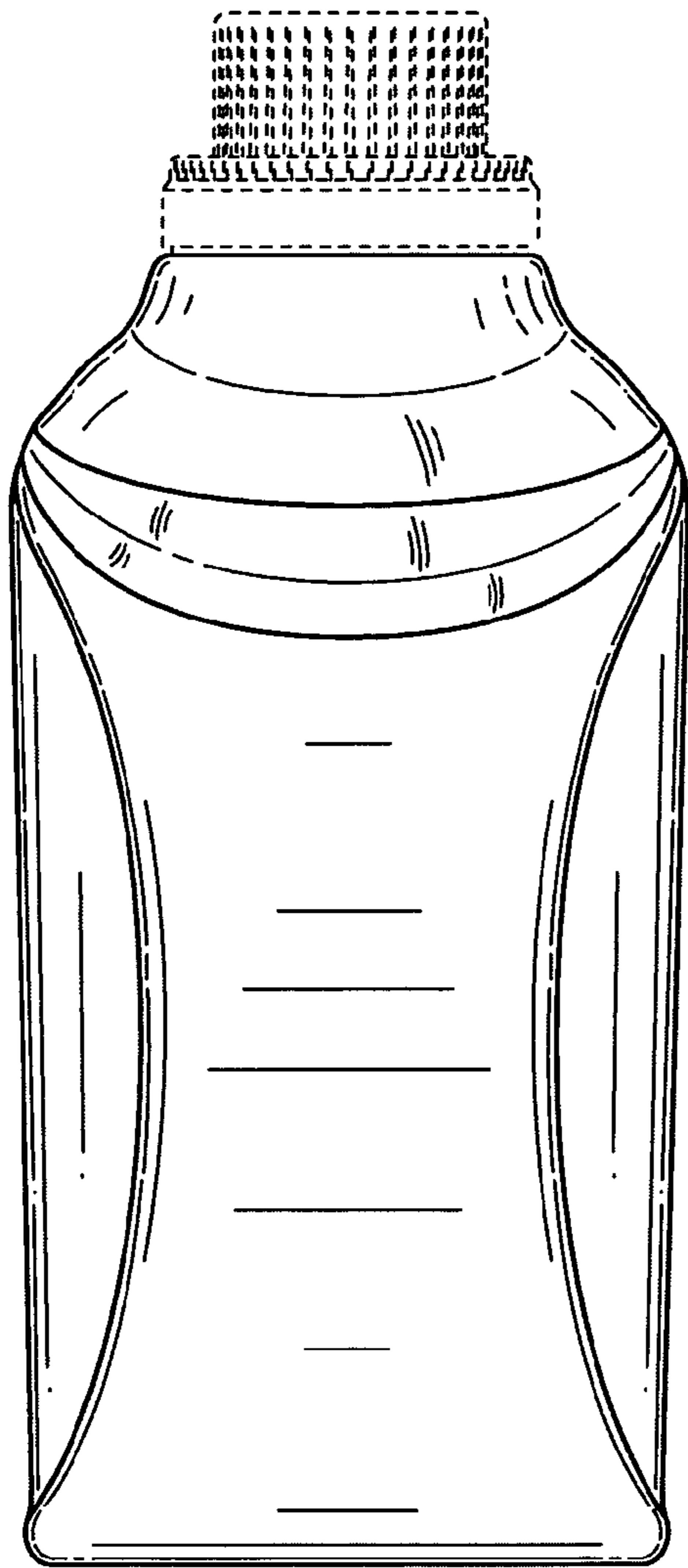


FIG. 4

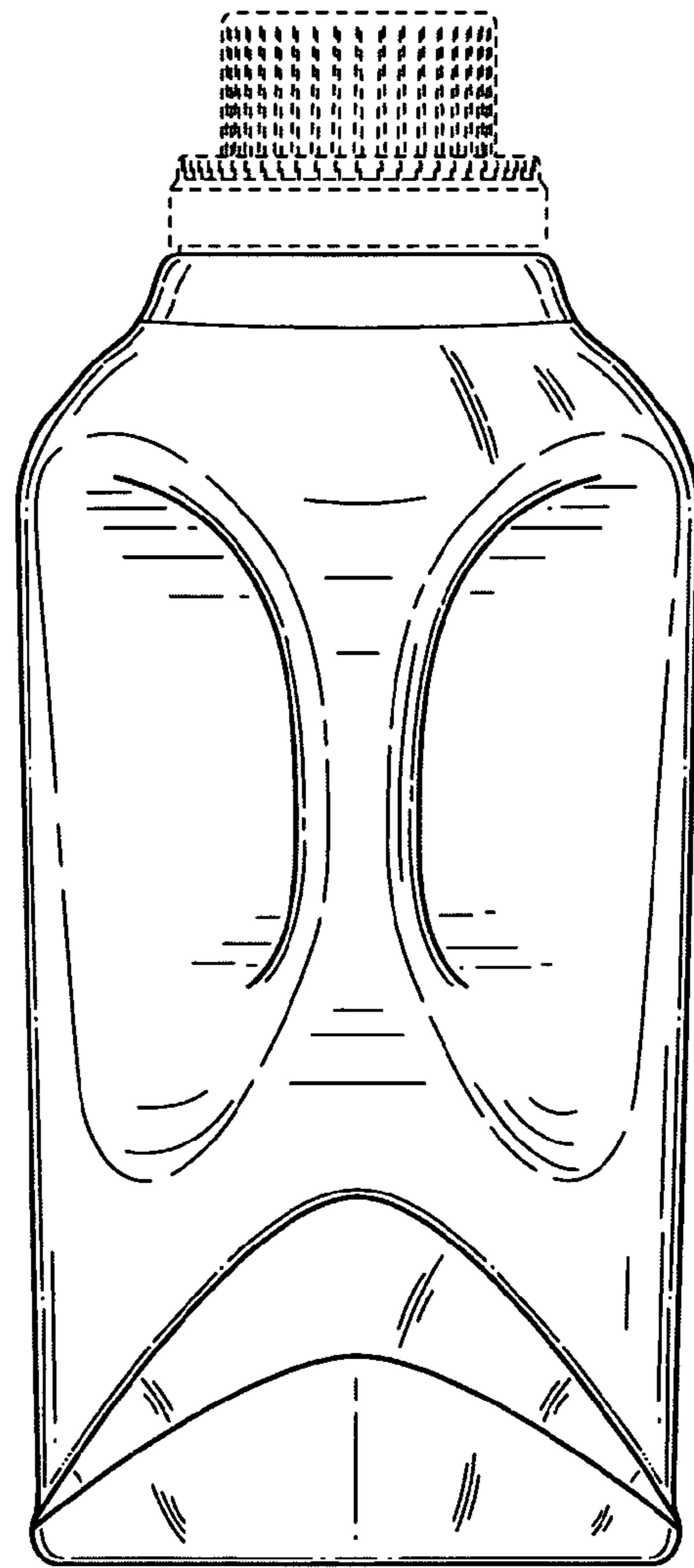


FIG. 5

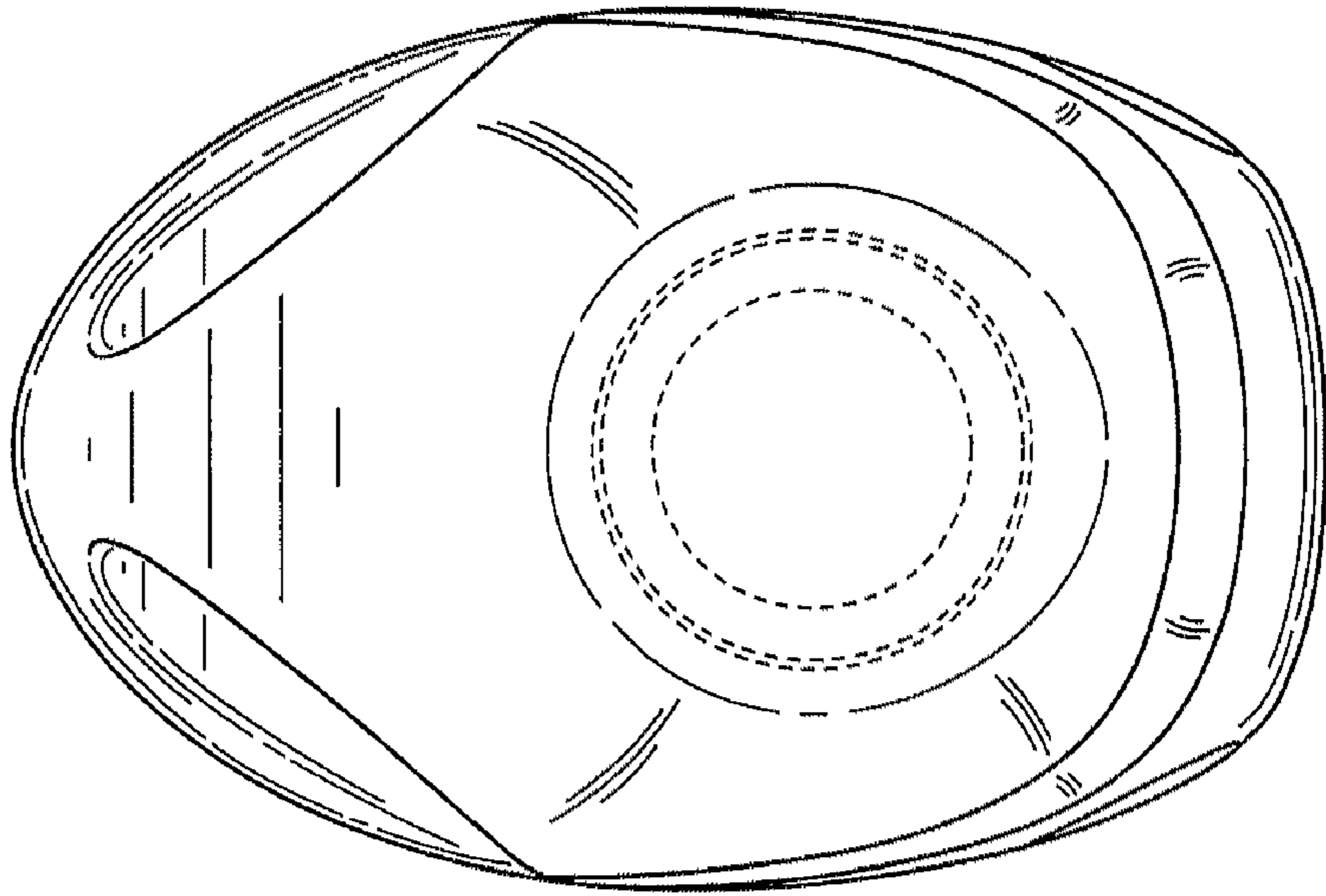


FIG. 6

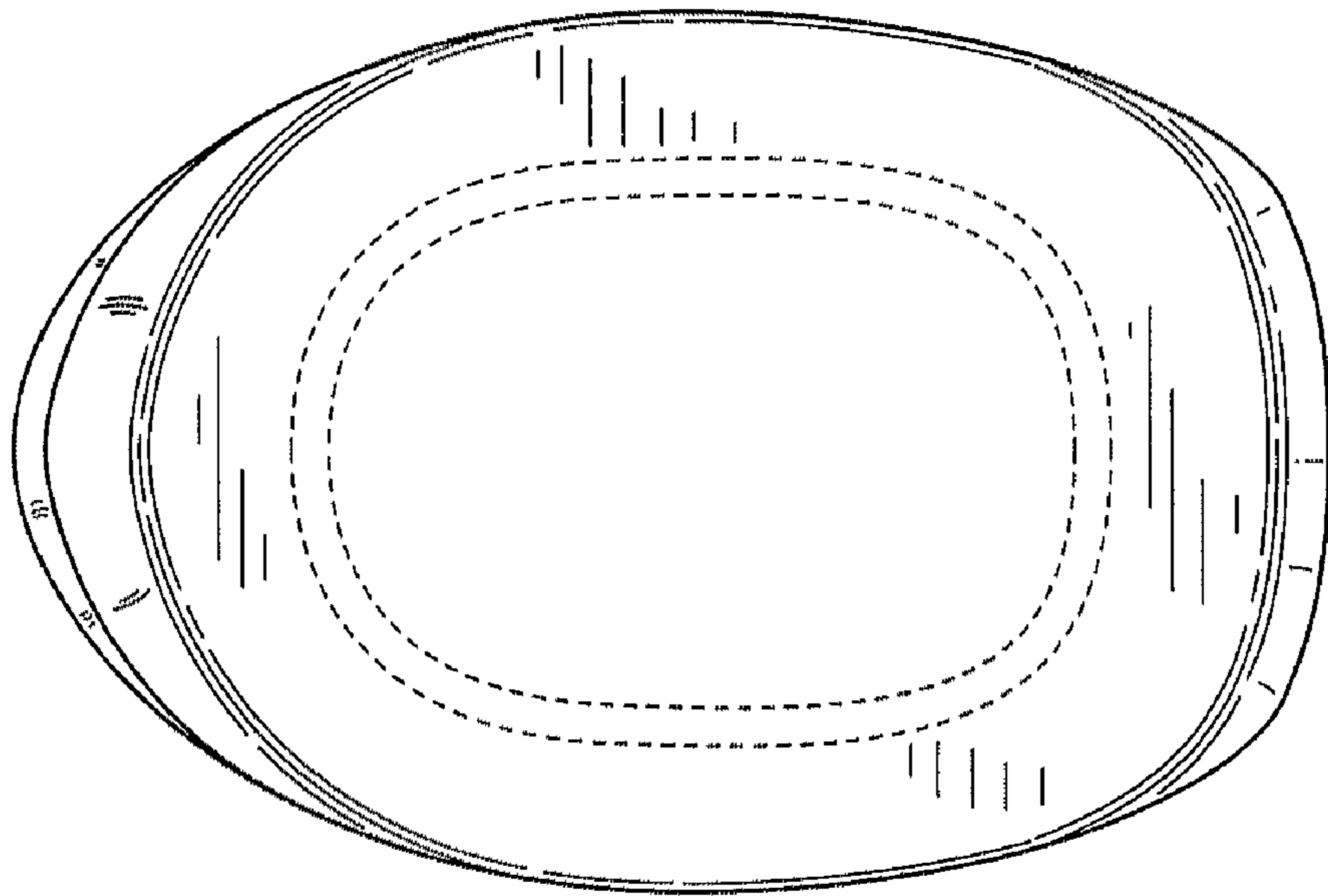


FIG. 7