



US00D658498S

(12) **United States Design Patent**
Paschke et al.

(10) **Patent No.:** **US D658,498 S**

(45) **Date of Patent:** **** May 1, 2012**

(54) **PACKAGING INSERT**

(75) Inventors: **Brian Dennis Paschke**, Toronto (CA);
Todd Andrew Wood, Guelph (CA);
Ingve Holmung, Toronto (CA); **Kevin**
Roy Sugden, Toronto (CA); **Di Tao**,
Toronto (CA)

(73) Assignee: **Research In Motion Limited**, Waterloo,
Ontario (CA)

(**) Term: **14 Years**

(21) Appl. No.: **29/369,506**

(22) Filed: **Sep. 9, 2010**

(51) **LOC (9) Cl.** **09-07**

(52) **U.S. Cl.** **D9/456**

(58) **Field of Classification Search** D9/760,
D9/761, 759, 756, 755, 753, 751, 750, 739,
D9/738, 737, 702, 456, 455, 443, 434, 415;
D20/19; D19/34.1; 248/146; 229/120; 220/4.23;
211/42; 206/814, 564, 558, 557, 529, 485,
206/446, 429, 427, 421, 419, 418, 259

See application file for complete search history.

(56) **References Cited**

U.S. PATENT DOCUMENTS

1,598,467	A *	8/1926	Weeks	211/43
4,073,460	A *	2/1978	Dale	248/441.1
D321,135	S *	10/1991	Bedell et al.	D9/434
D381,269	S *	7/1997	Mena et al.	D9/456
D411,860	S *	7/1999	Stravitz	D19/75
D455,755	S *	4/2002	Levine et al.	D14/447
D469,802	S *	2/2003	Goodman et al.	D19/34.1
D470,414	S *	2/2003	Hsu	D9/456
D540,859	S *	4/2007	Weiler	D19/34.1

* cited by examiner

Primary Examiner — Susan Bennett Hattan

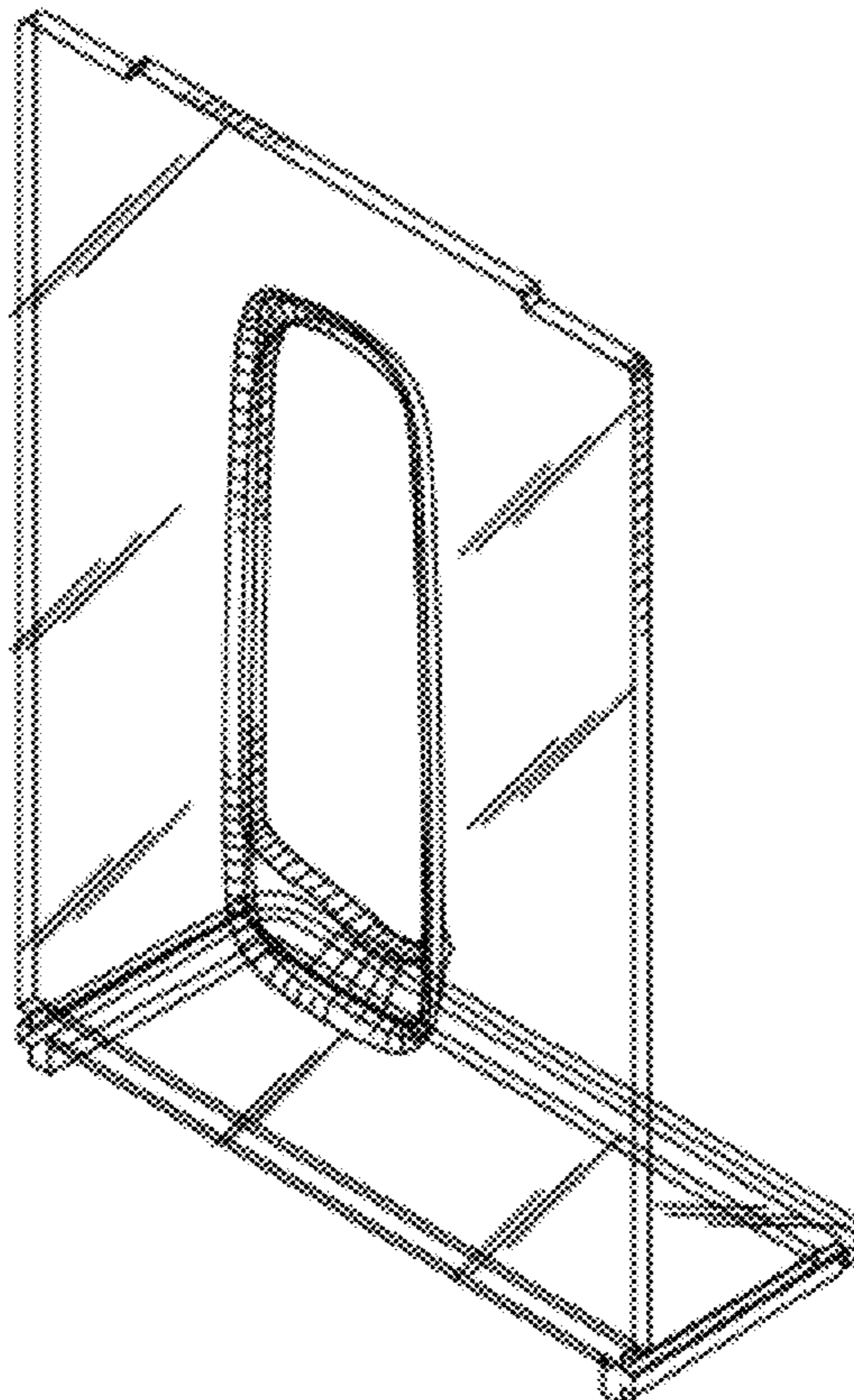
(57) **CLAIM**

We claim the ornamental design for a packaging insert, as shown and described.

DESCRIPTION

FIG. 1 is a back perspective view of a packaging insert;
FIG. 2 is a front perspective view of the packaging insert;
FIG. 3 is a back elevational view thereof;
FIG. 4 is a front elevational view thereof;
FIG. 5 is a right elevational view thereof;
FIG. 6 is a left elevational view thereof;
FIG. 7 is a top plan view thereof; and,
FIG. 8 is a bottom plan view thereof.

1 Claim, 4 Drawing Sheets



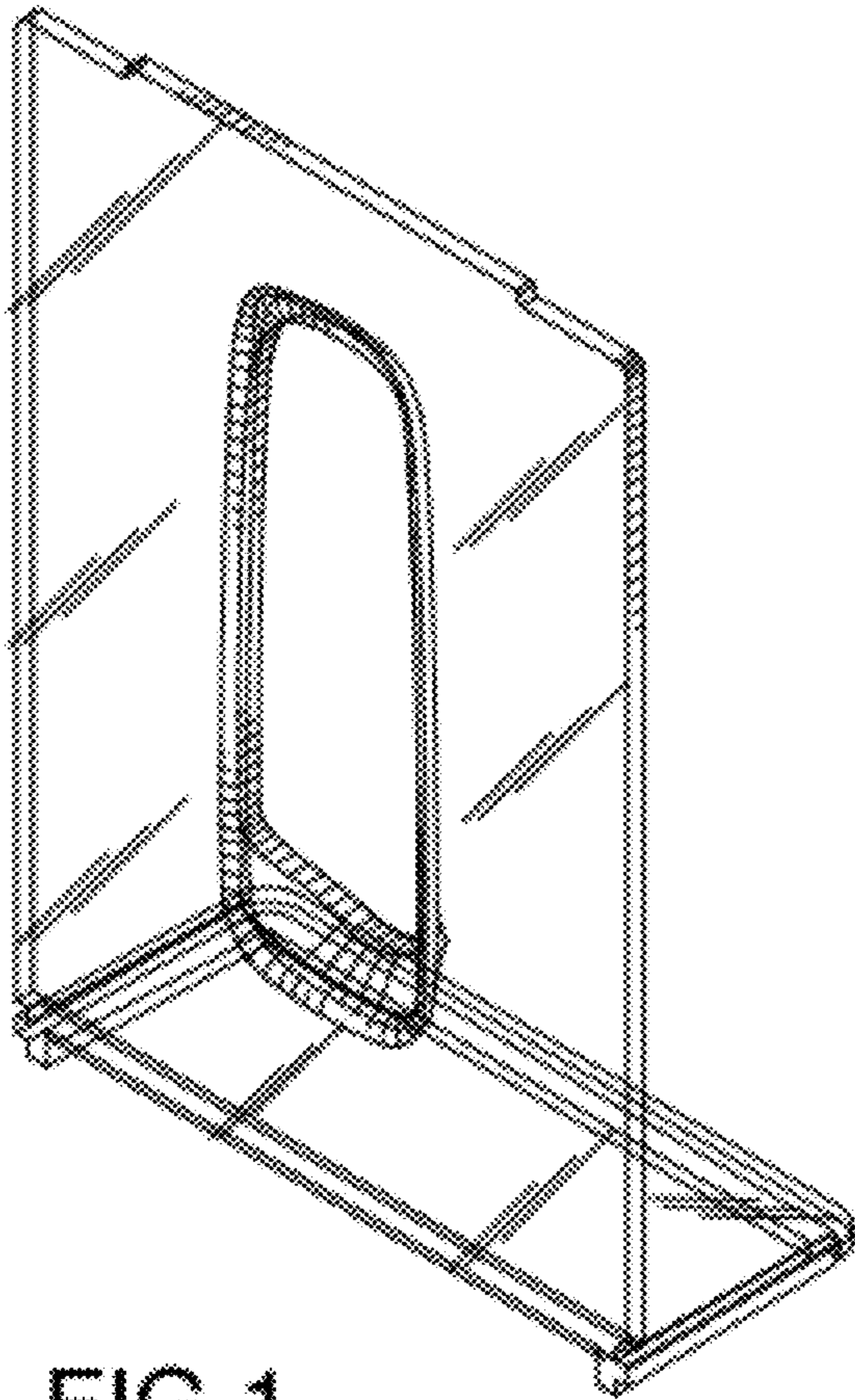


FIG. 1

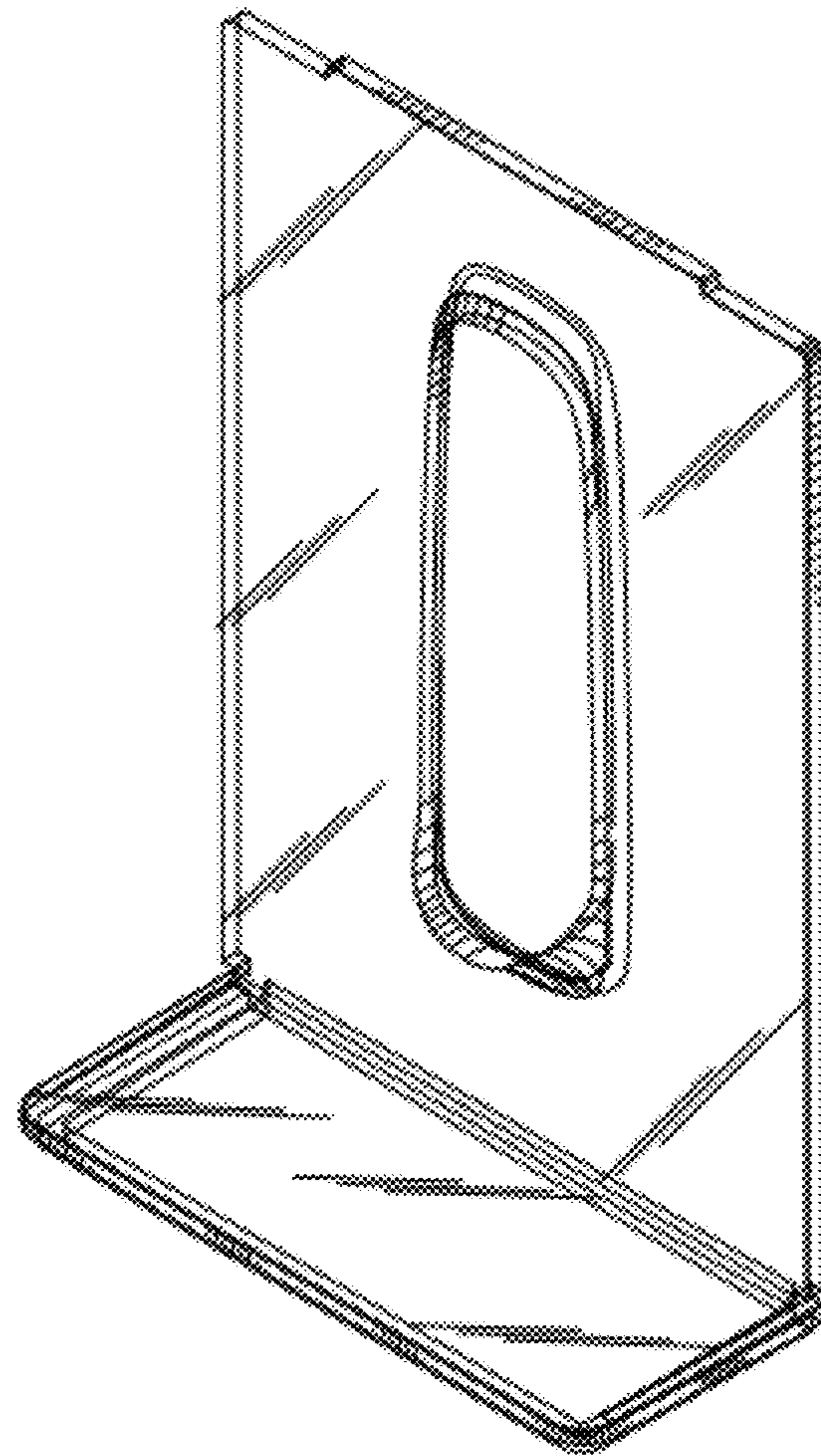


FIG. 2

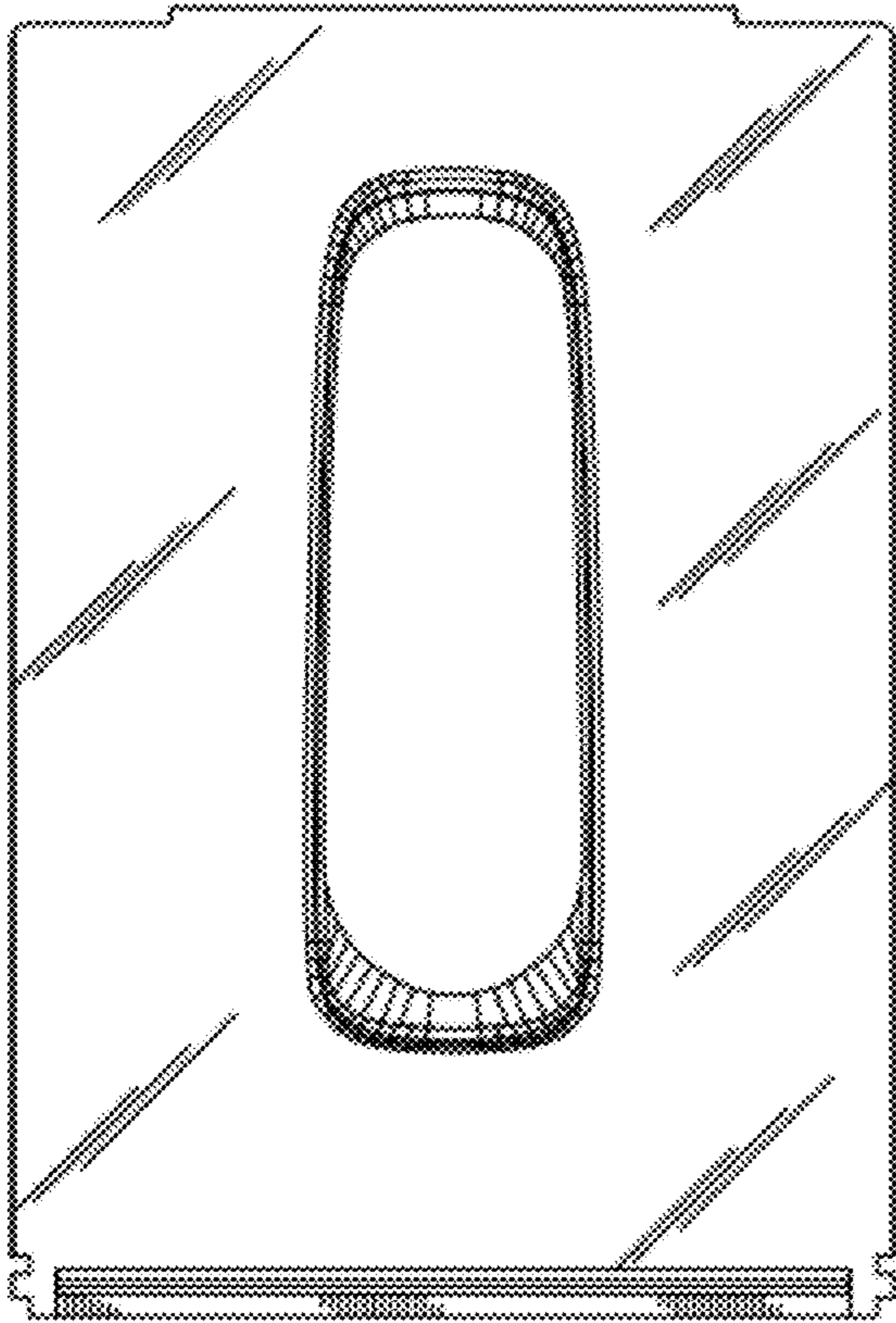


FIG.3

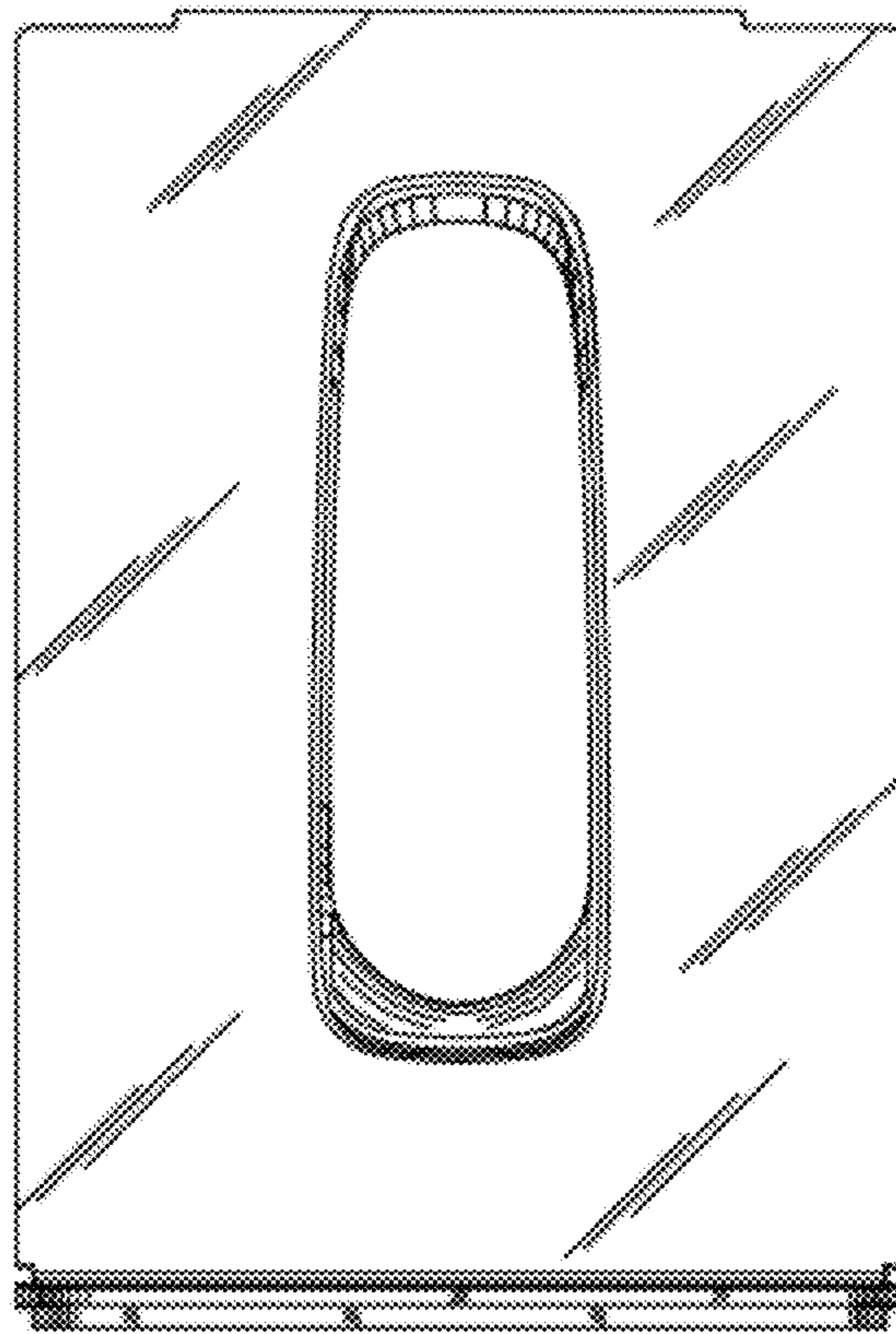


FIG.4

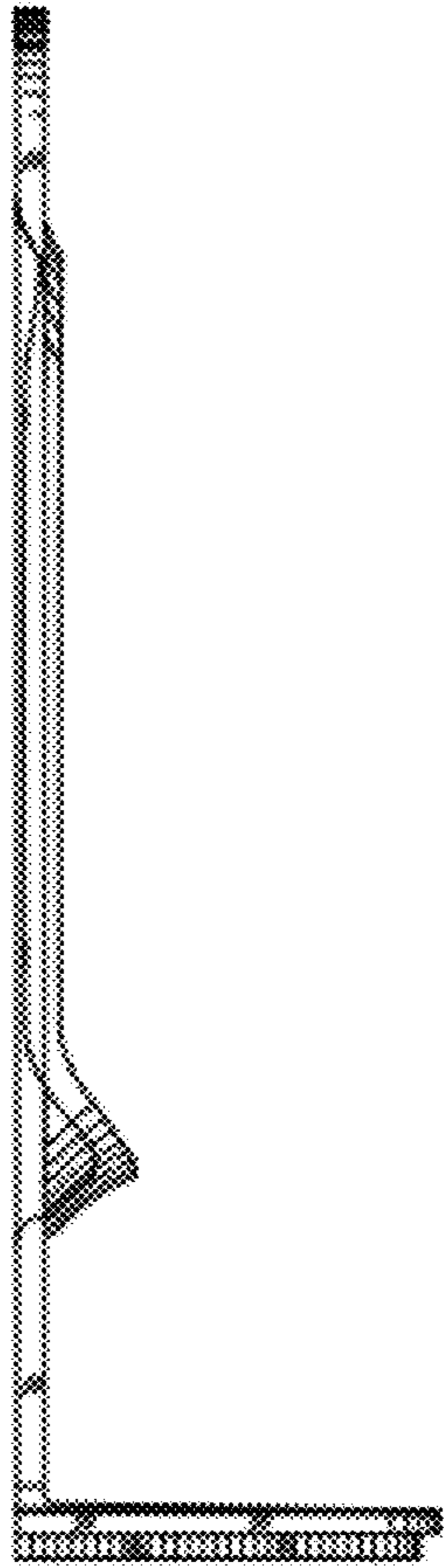


FIG. 5

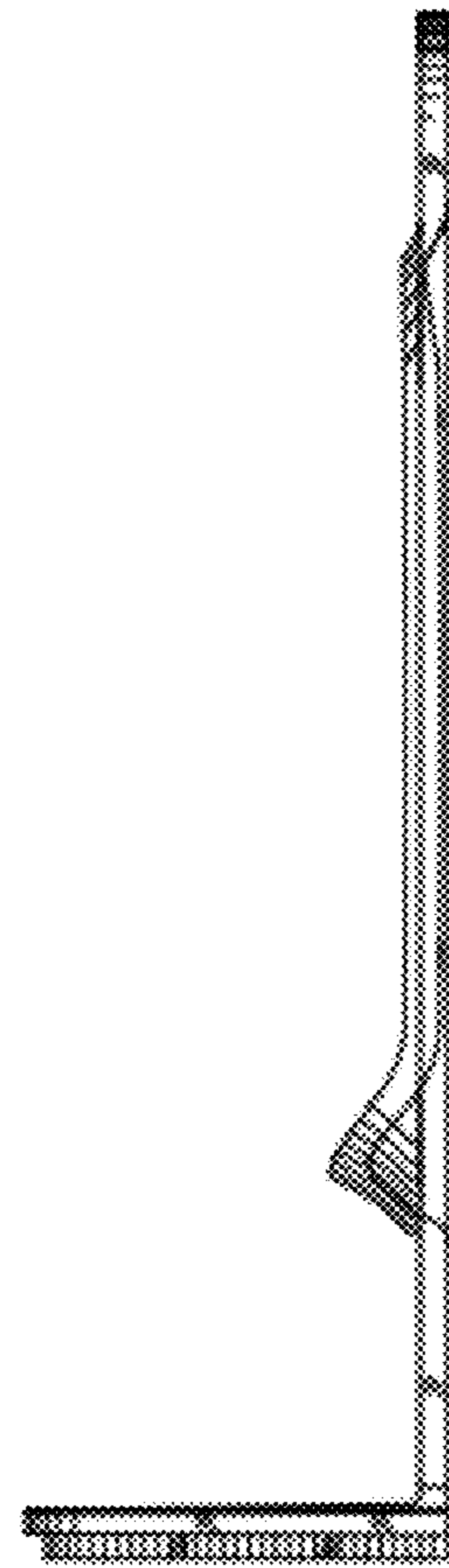


FIG. 6

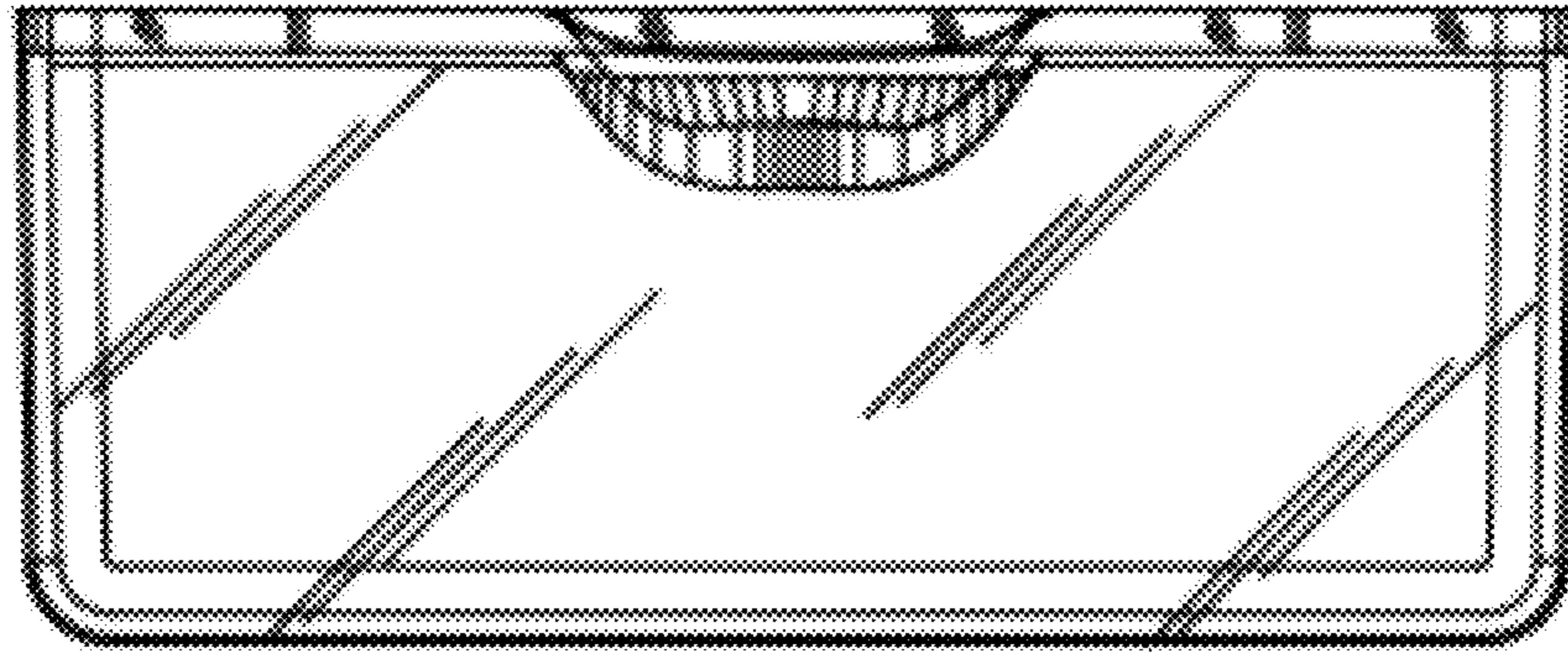


FIG. 7

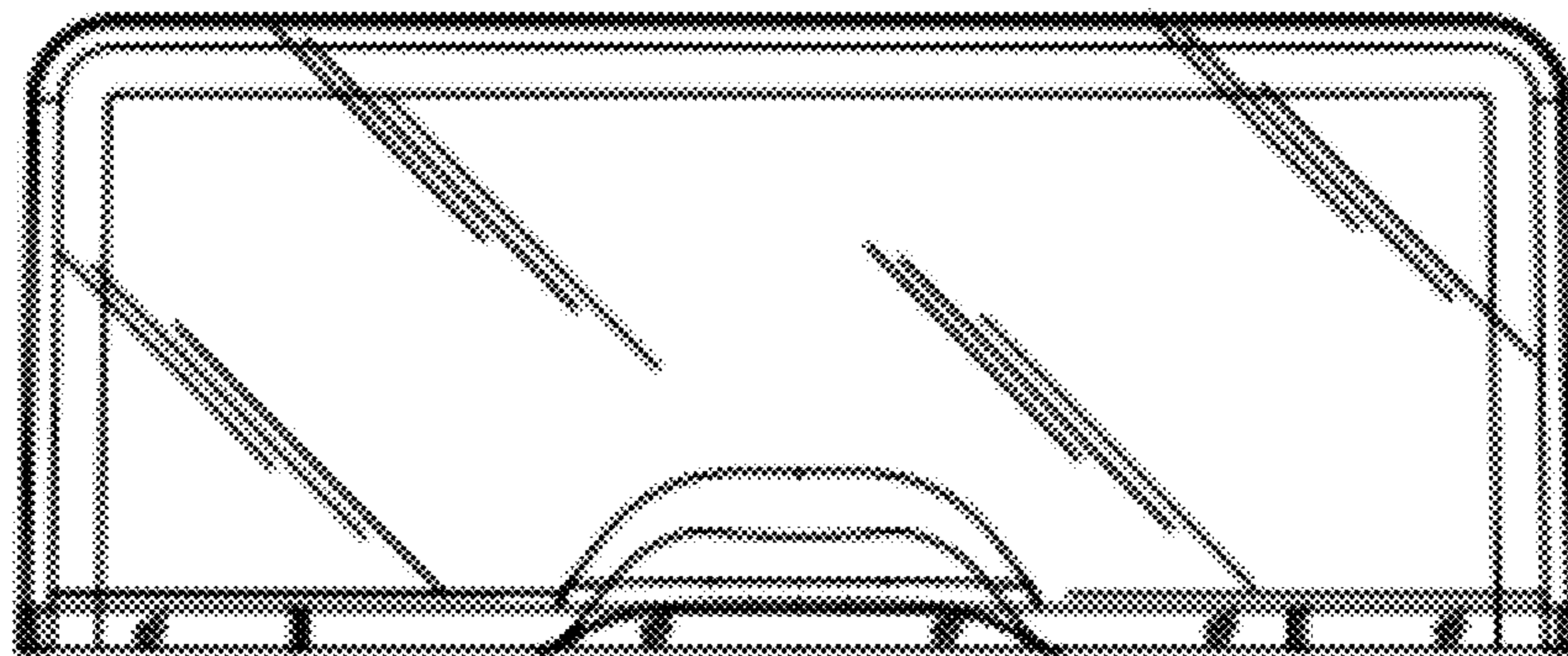


FIG. 8