



US00D658495S

(12) **United States Design Patent**  
**Taylor**

(10) **Patent No.:** **US D658,495 S**

(45) **Date of Patent:** **\*\* May 1, 2012**

(54) **CLOSING MEANS**

(75) Inventor: **Michael Taylor**, Stockholm (SE)

(73) Assignee: **Linden International AB**, Varnamo (SE)

(\*\*) Term: **14 Years**

(21) Appl. No.: **29/388,968**

(22) Filed: **Apr. 5, 2011**

(30) **Foreign Application Priority Data**

Oct. 5, 2010 (EM) ..... 001763764-0001

Oct. 5, 2010 (EM) ..... 001763764-0002

(51) **LOC (9) Cl.** ..... **09-07**

(52) **U.S. Cl.** ..... **D9/443; D9/436; D9/449; D9/447**

(58) **Field of Classification Search** ..... D9/499,  
D9/455, 450, 449, 447, 443, 440, 436; D8/373;  
D7/590, 512, 396.2, 392.1; D4/116, 114;  
D10/74, 72; 248/113; 222/536, 521, 480;  
220/254.3; 215/228

See application file for complete search history.

(56) **References Cited**

U.S. PATENT DOCUMENTS

D276,596	S	*	12/1984	Kisha	.....	D9/435
D299,008	S	*	12/1988	Naslund	.....	D9/443
D301,548	S	*	6/1989	Weaver	.....	D9/434
D317,571	S	*	6/1991	Henriksson	.....	D9/443
D350,696	S	*	9/1994	Naslund	.....	D9/443
5,931,117	A	*	8/1999	Lantz et al.	.....	119/65
D431,004	S	*	9/2000	Naslund	.....	D9/435

\* cited by examiner

*Primary Examiner* — Susan Bennett Hattan

(74) *Attorney, Agent, or Firm* — Bachman & LaPointe, P.C.

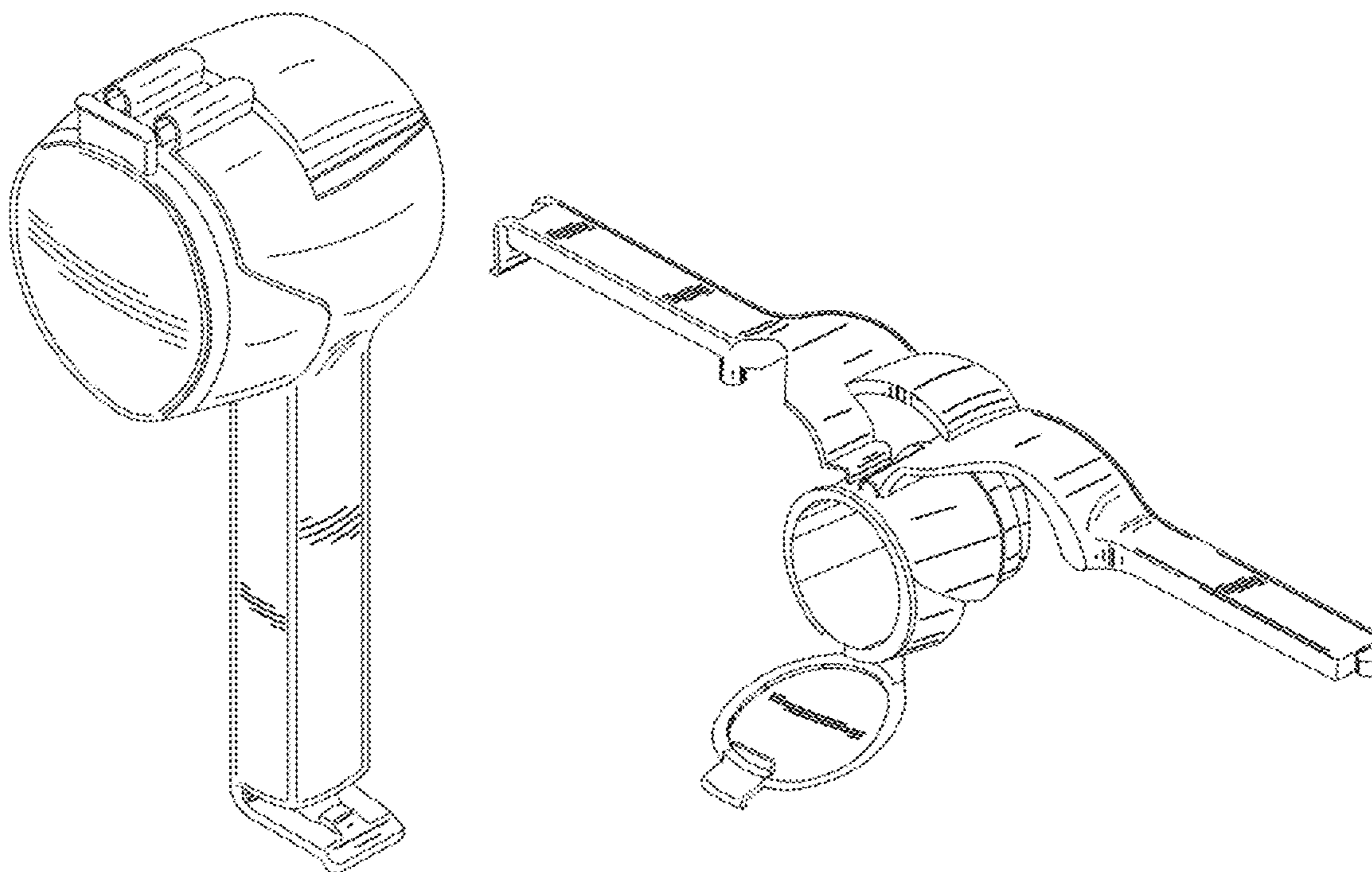
(57) **CLAIM**

The ornamental design of the closing means, as shown.

**DESCRIPTION**

FIG. 1 is a perspective view showing the ornamental design of a closing means according to the present invention; FIG. 2 is top view of the closing means of FIG. 1; FIG. 3 is a side view of the closing means of FIG. 1; FIG. 4 is an end view of the closing means of FIG. 1; FIG. 5 is perspective view of the closing means of FIG. 1 in an open condition; and, FIG. 6 is an end view of the closing means of FIG. 1 in an open condition.

**1 Claim, 6 Drawing Sheets**



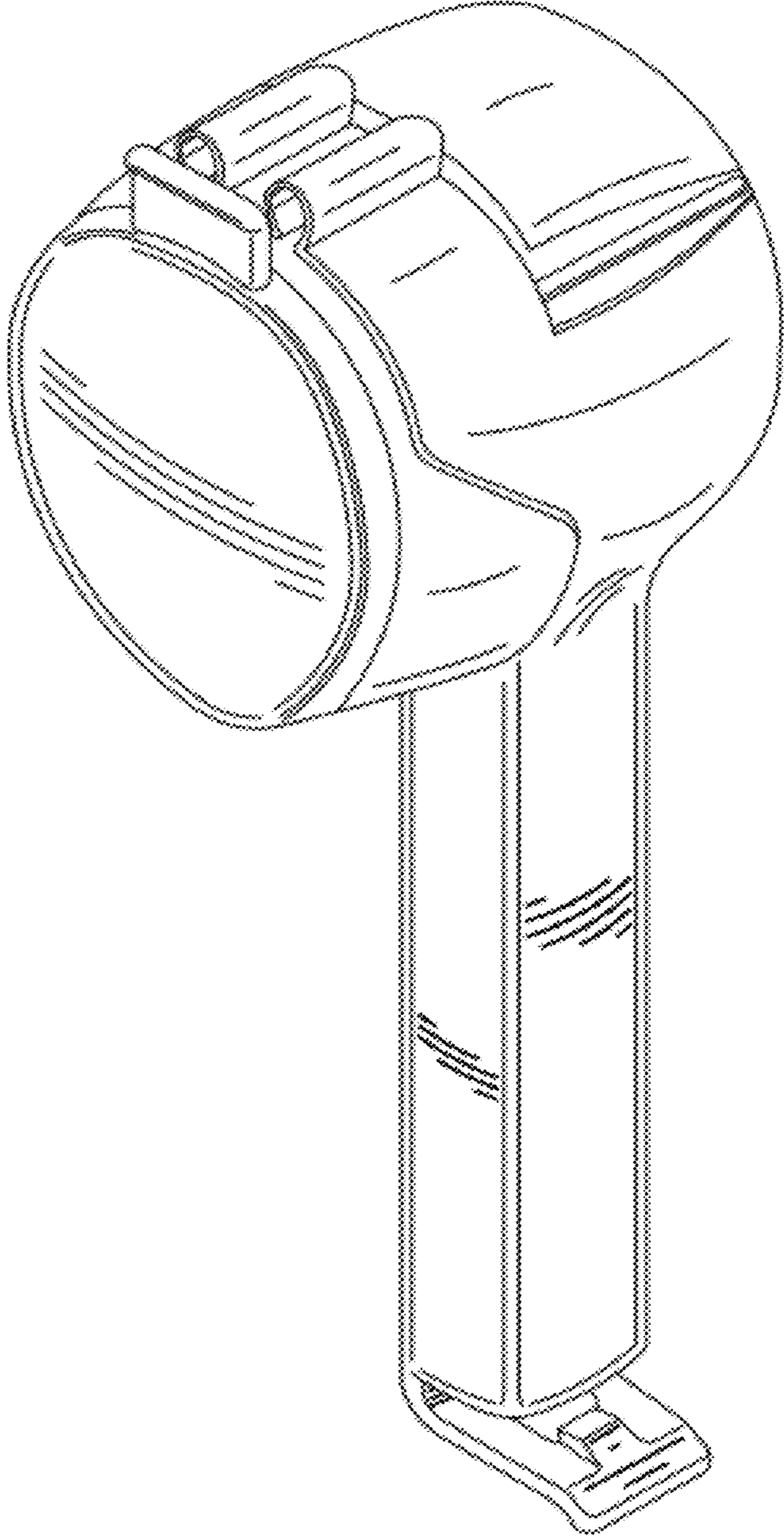


FIG. 1

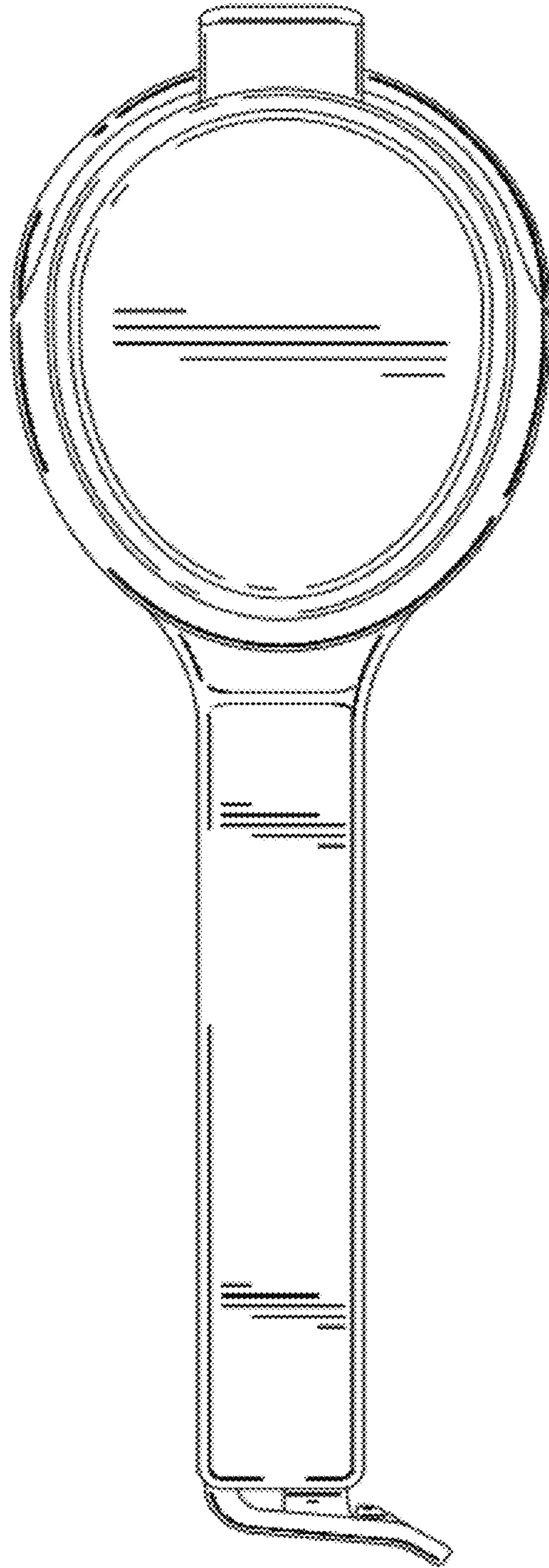


FIG. 2

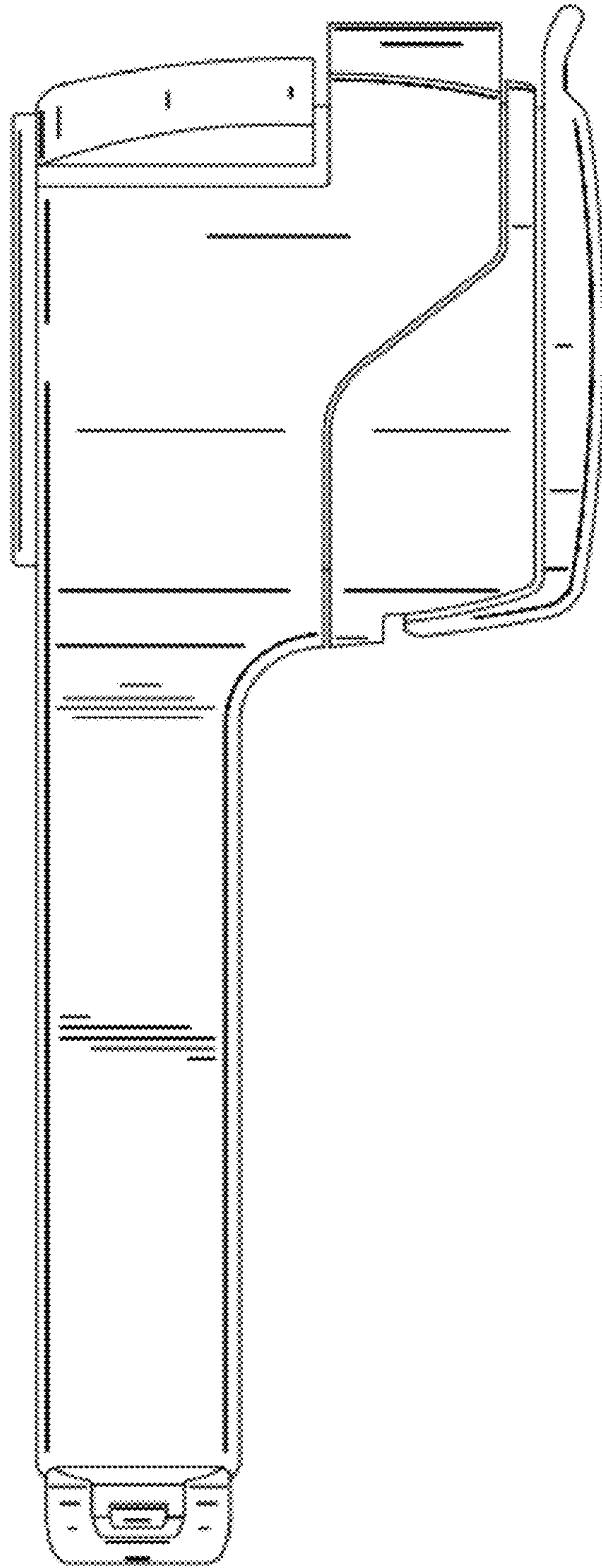
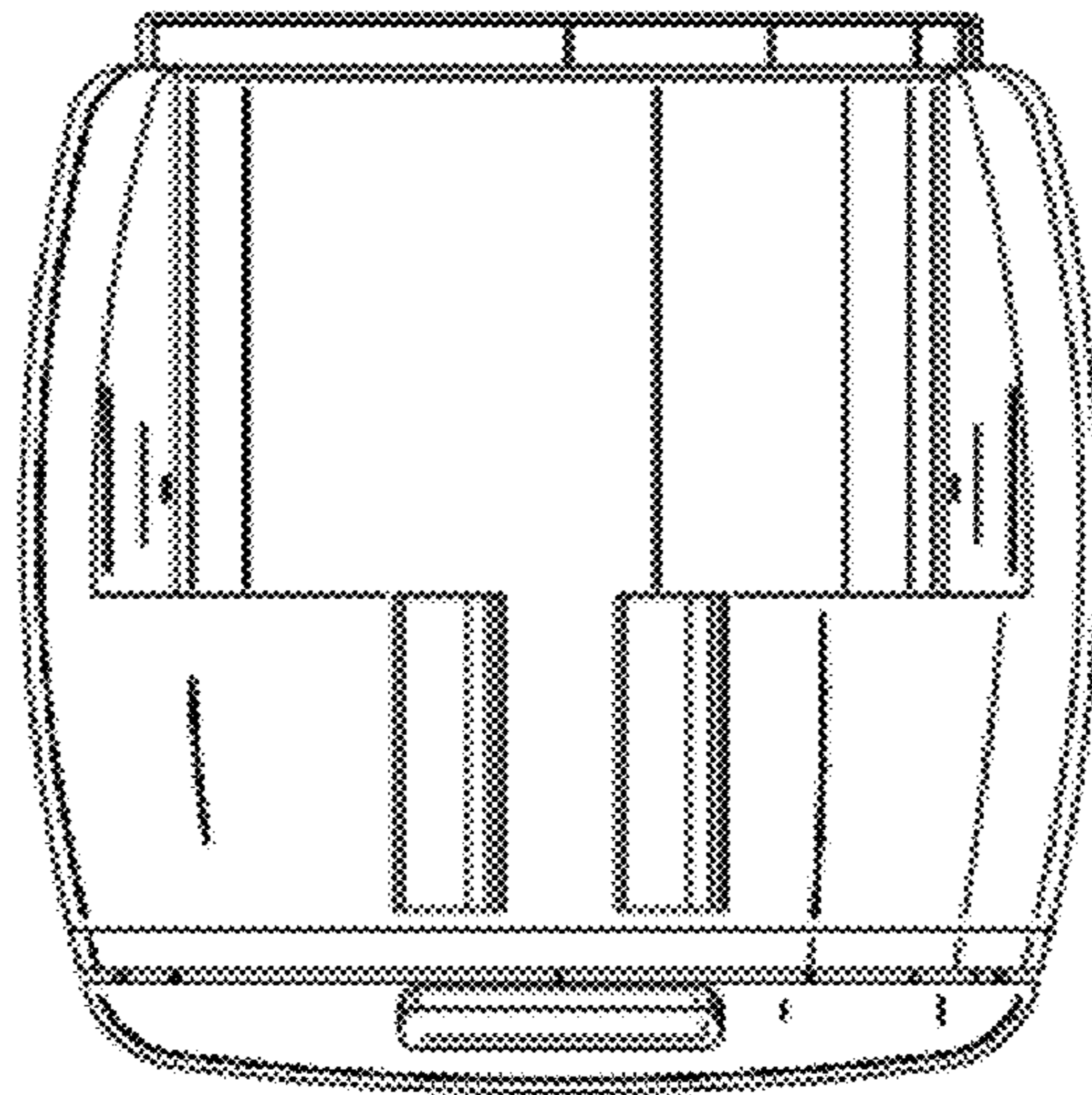


FIG. 3



**FIG. 4**

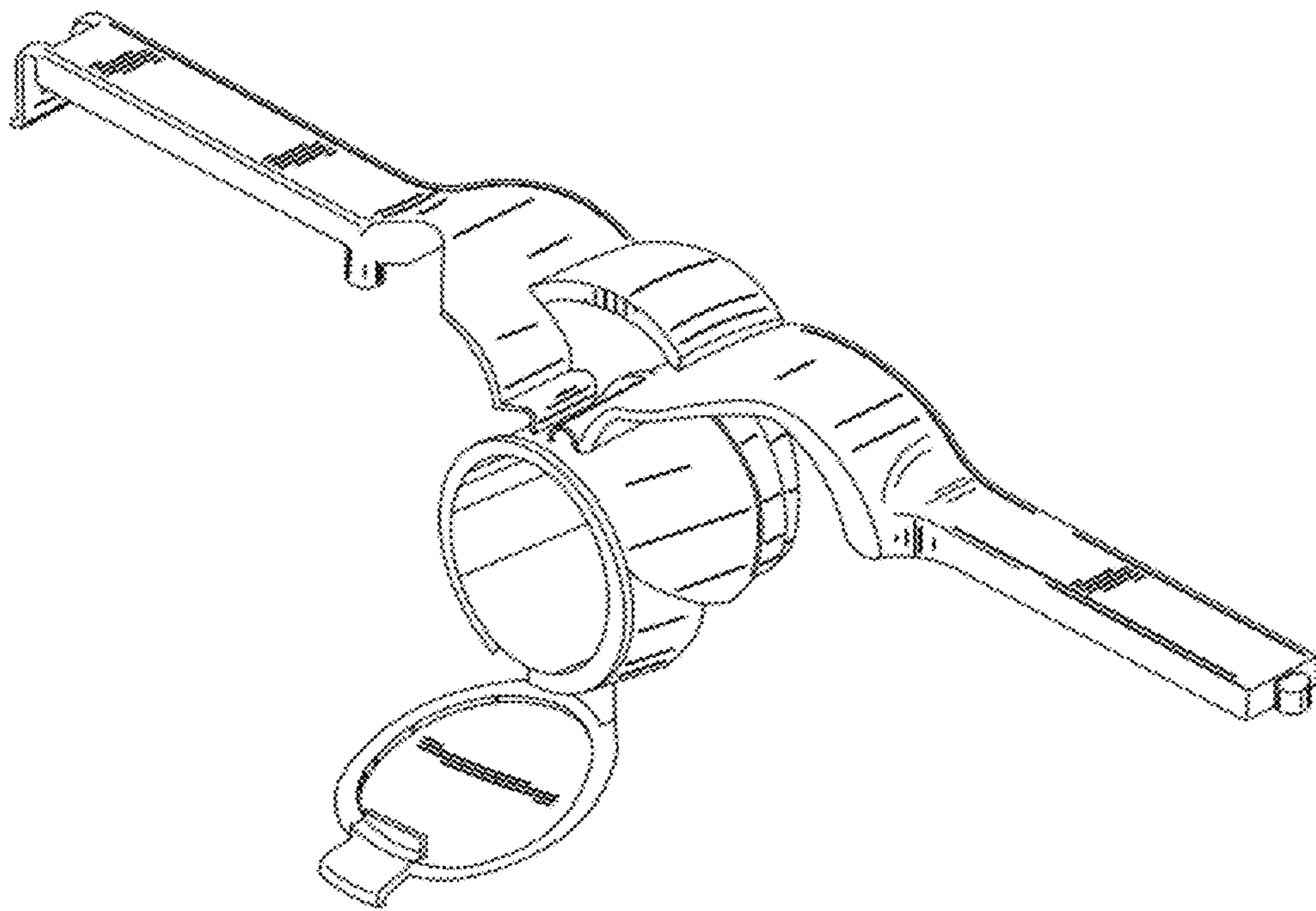


FIG. 5

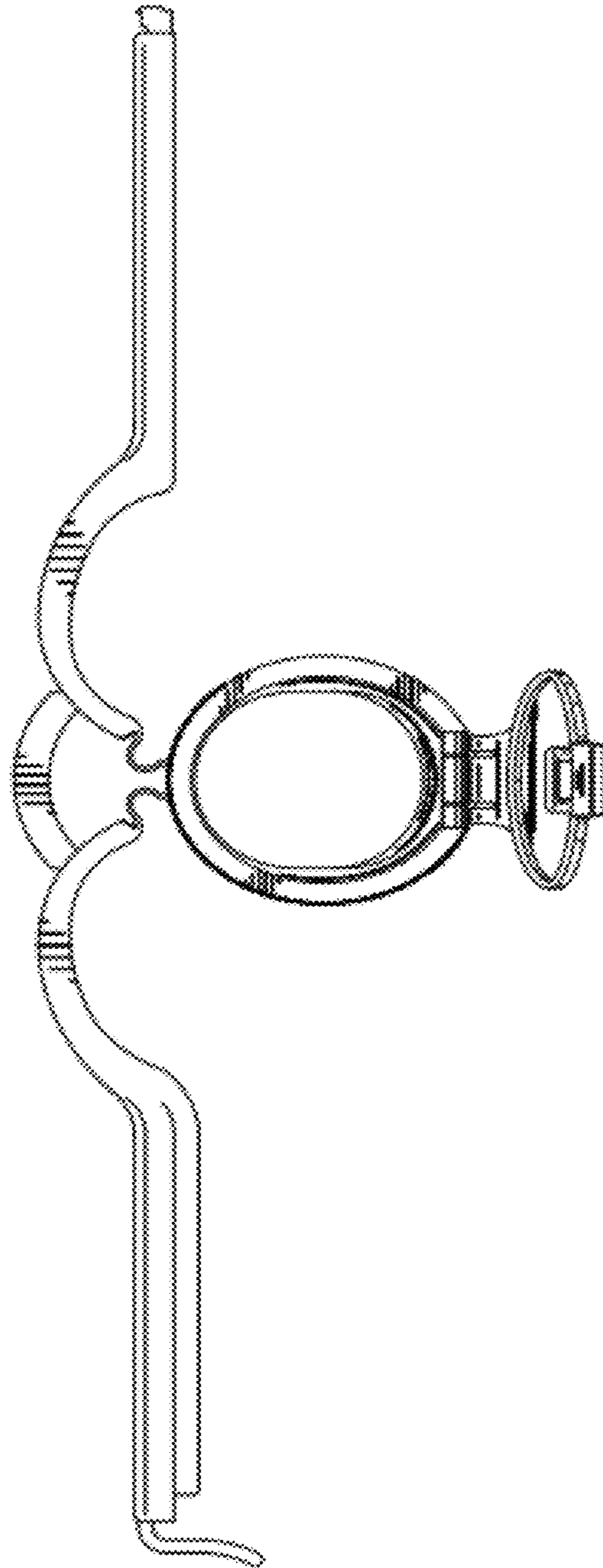


FIG. 6