



US00D658493S

(12) **United States Design Patent**  
**Cometto**

(10) **Patent No.:** **US D658,493 S**

(45) **Date of Patent:** **\*\* May 1, 2012**

(54) **BEVERAGE CARTRIDGE**

(76) Inventor: **Michele Cometto**, Miami, FL (US)

(\*\*) Term: **14 Years**

(21) Appl. No.: **29/402,158**

(22) Filed: **Sep. 21, 2011**

(51) **LOC (9) Cl.** ..... **09-03**

(52) **U.S. Cl.** ..... **D9/424**

(58) **Field of Classification Search** ..... D9/424,  
D9/414, 416, 417, 419, 425, 428, 436, 499,  
D9/500; D7/300, 309, 310, 387, 400, 629,  
D7/667, 700; D23/365, 366; 99/279, 295;  
206/207, 501, 822; 210/233, 235, 236, 452,  
210/455, 464, 474, 497.01; 220/592.18,  
220/645, 659, 912; 426/77, 433, 435  
See application file for complete search history.

(56) **References Cited**

U.S. PATENT DOCUMENTS

3,070,275	A *	12/1962	Bostrom	.....	229/4.5
D292,887	S *	11/1987	Schouten	.....	D9/424
D295,956	S *	5/1988	Holewinski et al.	.....	D9/424
D306,974	S *	4/1990	Tholstrup	.....	D9/424
D335,531	S *	5/1993	Kunze et al.	.....	D23/366
5,230,867	A *	7/1993	Kunze et al.	.....	422/123
D404,262	S *	1/1999	McGill	.....	D7/629

D407,602	S *	4/1999	Patel	.....	D7/400
D484,408	S *	12/2003	Anderson	.....	D9/500
D513,152	S *	12/2005	Cahen	.....	D7/400
7,093,530	B2 *	8/2006	Meister et al.	.....	99/295
D539,643	S *	4/2007	Abel	.....	D9/424
7,219,598	B2 *	5/2007	Halliday et al.	.....	99/295
D618,091	S *	6/2010	Bizzell	.....	D9/424

\* cited by examiner

*Primary Examiner* — Derrick Holland

(74) *Attorney, Agent, or Firm* — Lott & Fischer, PL

(57) **CLAIM**

The ornamental design for a beverage cartridge, substantially as shown and described.

**DESCRIPTION**

FIG. 1 is a top perspective view of the beverage cartridge of the present invention;

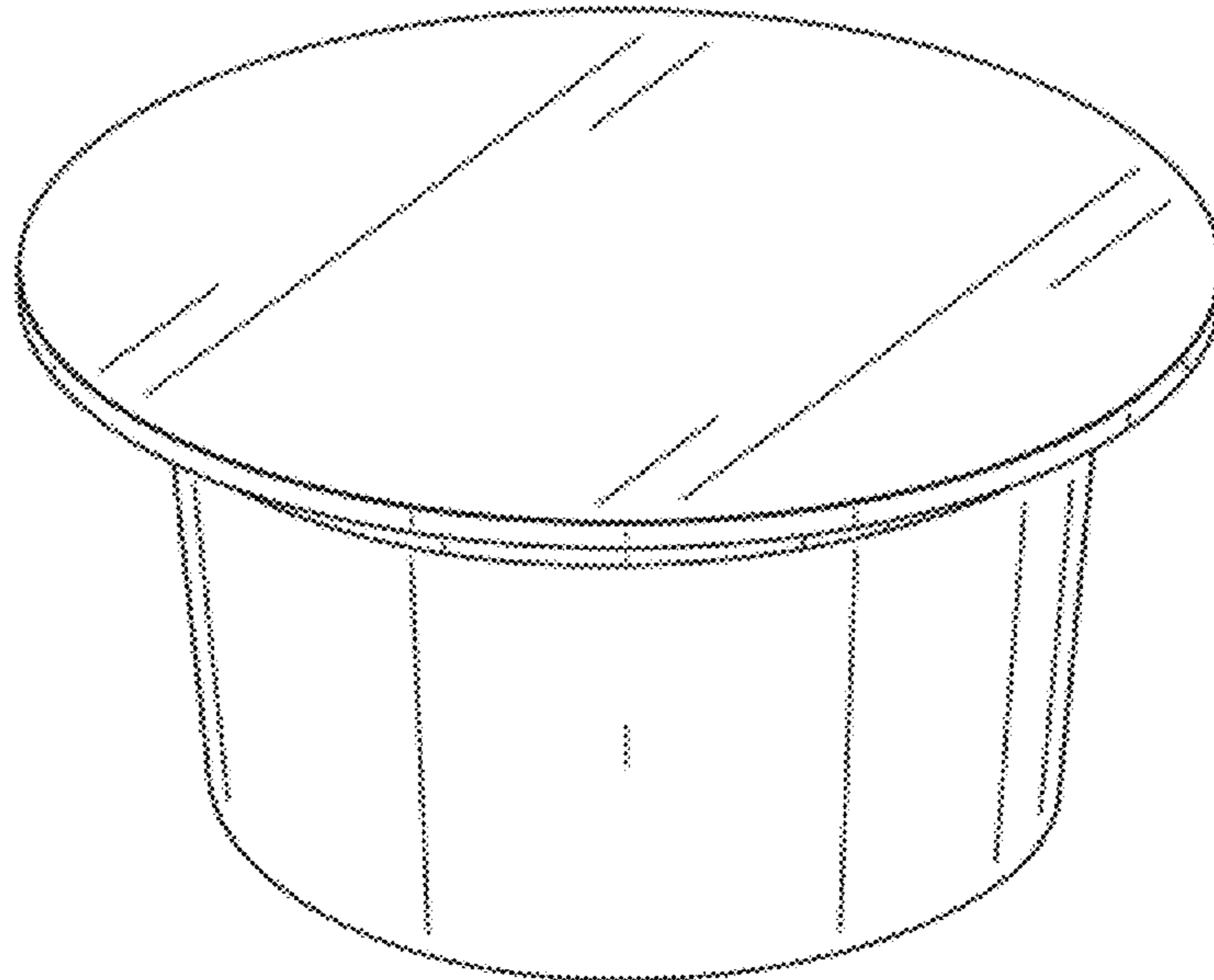
FIG. 2 is a bottom perspective view of the beverage cartridge of the present invention.

FIG. 3 is a front elevational view of the beverage cartridge in FIG. 1 the left, right, and rear elevational views thereof being identical to this view;

FIG. 4 is a top plan view of the beverage cartridge in FIG. 1; and,

FIG. 5 is a bottom plan view of the beverage cartridge in FIG. 1.

**1 Claim, 5 Drawing Sheets**



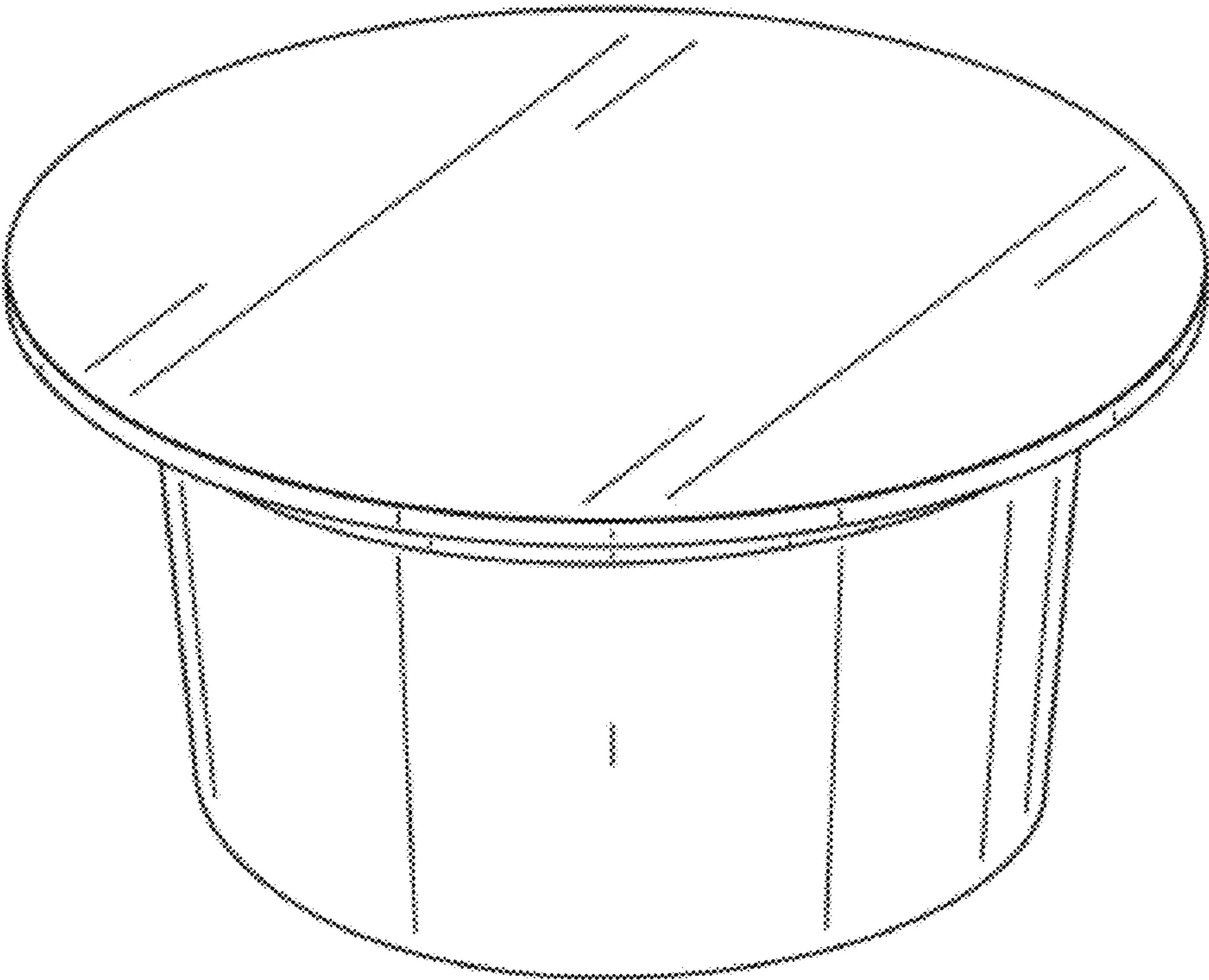


FIG. 1

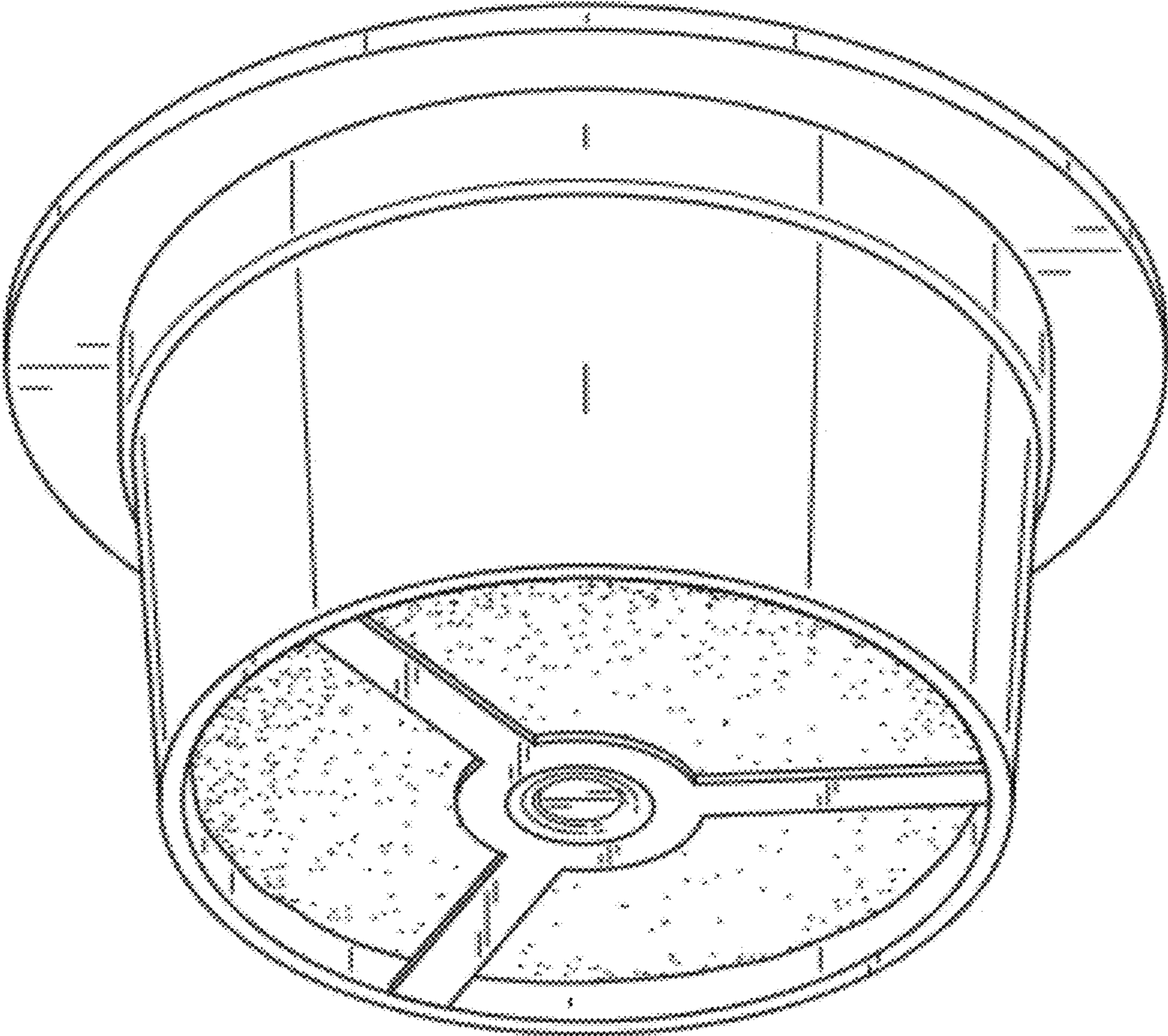


FIG. 2

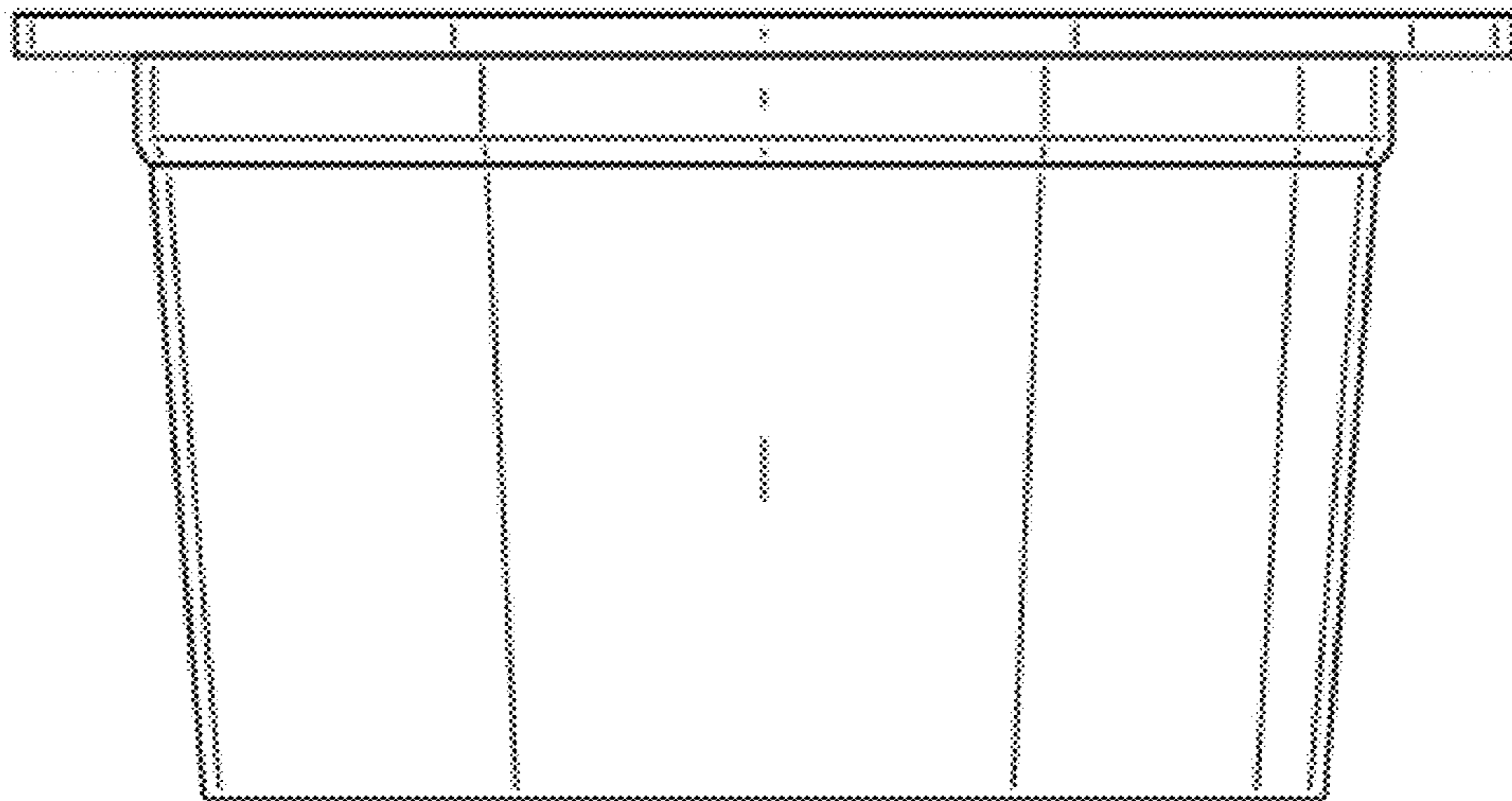


FIG. 3

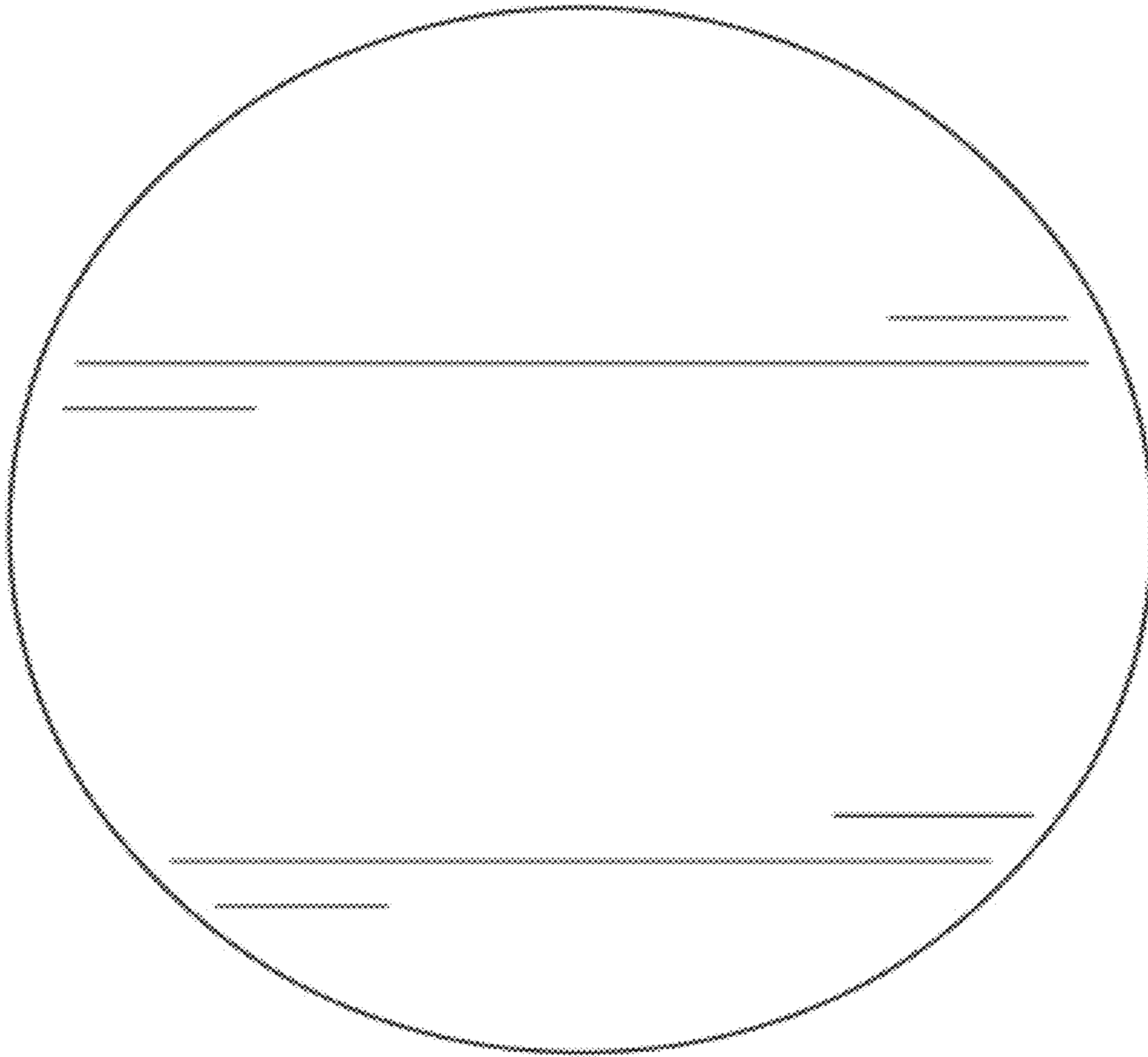


FIG. 4

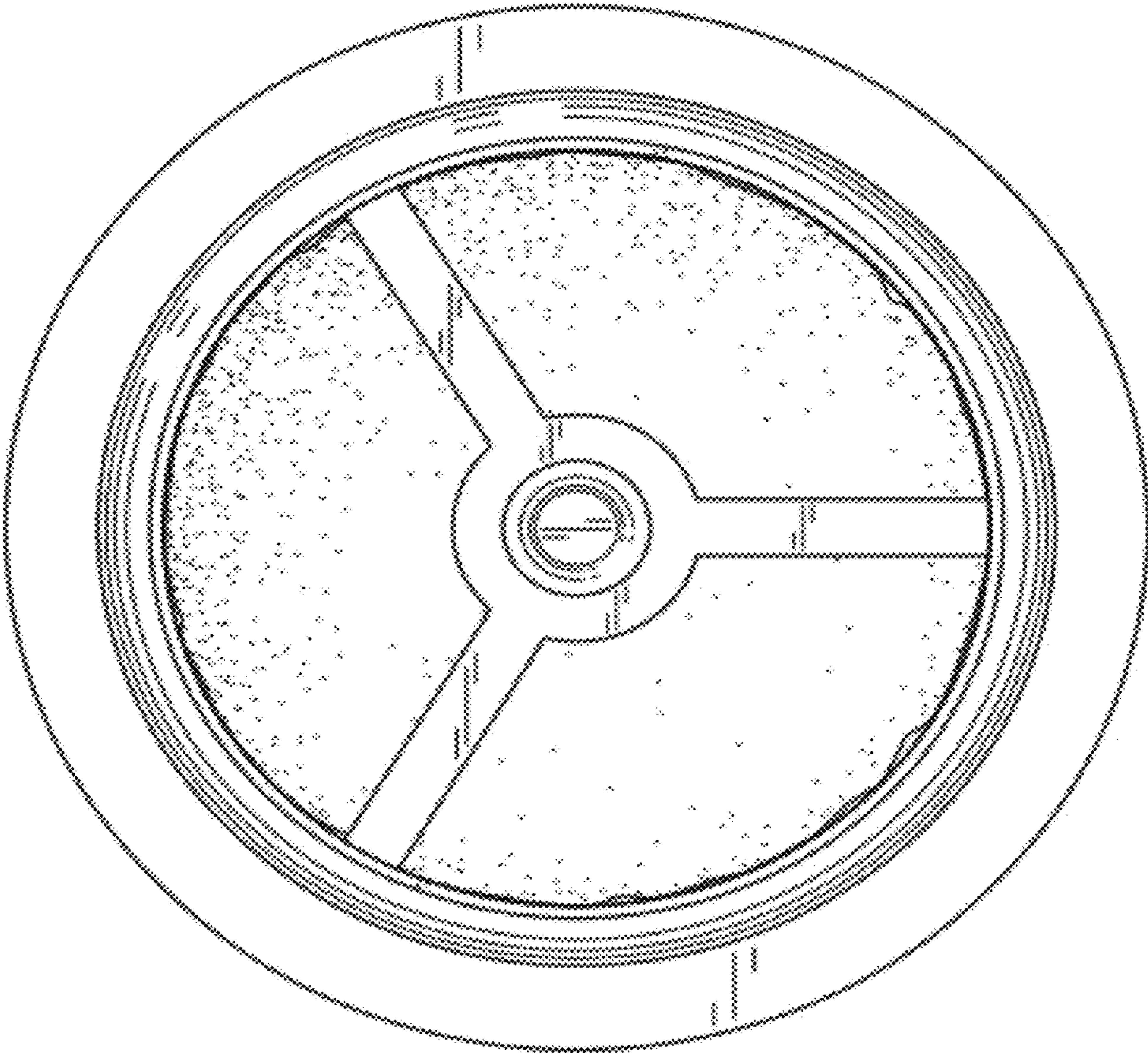


FIG. 5