

US00D658492S

(12) **United States Design Patent**
Akana et al.

(10) **Patent No.:** **US D658,492 S**
(45) **Date of Patent:** **** May 1, 2012**

(54) **ELECTRONIC DEVICE AND PACKAGING THEREFOR**

FOREIGN PATENT DOCUMENTS

JP 61040925 3/1986
(Continued)

(75) Inventors: **Jody Akana**, San Francisco, CA (US);
Bartley K. Andre, Menlo Park, CA (US);
Jeremy Bataillou, San Francisco, CA (US);
Daniel J. Coster, San Francisco, CA (US);
Daniele De Iuliis, San Francisco, CA (US);
Evans Hankey, San Francisco, CA (US);
Richard P. Howarth, San Francisco, CA (US);
Jonathan P. Ive, San Francisco, CA (US);
Duncan Robert Kerr, San Francisco, CA (US);
Shin Nishibori, Portola Valley, CA (US);
Matthew Dean Rohrbach, San Francisco, CA (US);
Peter Russell-Clarke, San Francisco, CA (US);
Christopher J. Stringer, Woodside, CA (US);
Eugene Antony Whang, San Francisco, CA (US);
Rico Zorkendorfer, San Francisco, CA (US)

OTHER PUBLICATIONS

U.S. Appl. No. 29/368,992, "Packaging", filed Aug. 31, 2010.

Primary Examiner — Derrick Holland
(74) *Attorney, Agent, or Firm* — Sterne, Kessler, Goldstein & Fox, P.L.L.C.

(73) Assignee: **Apple Inc.**, Cupertino, CA (US)

(**) Term: **14 Years**

(21) Appl. No.: **29/369,022**

(22) Filed: **Sep. 1, 2010**

(51) **LOC (9) Cl.** **09-03**

(52) **U.S. Cl.** **D9/424**

(58) **Field of Classification Search** D9/424,
D9/414, 418-423, 425, 428-432, 435, 436,
D9/455, 499; D3/202, 273, 328; D7/538,
D7/601, 602, 604, 610, 612, 629; 206/486,
206/488, 490, 503, 504, 557, 562, 565, 521.1,
206/775, 776, 815, 822; 220/676, 781, 786,
220/789, 790, 793; 229/406, 407, 906, 915,
229/925; D28/76, 81, 83

See application file for complete search history.

(56) **References Cited**

U.S. PATENT DOCUMENTS

D159,157 S 6/1950 Koester
(Continued)

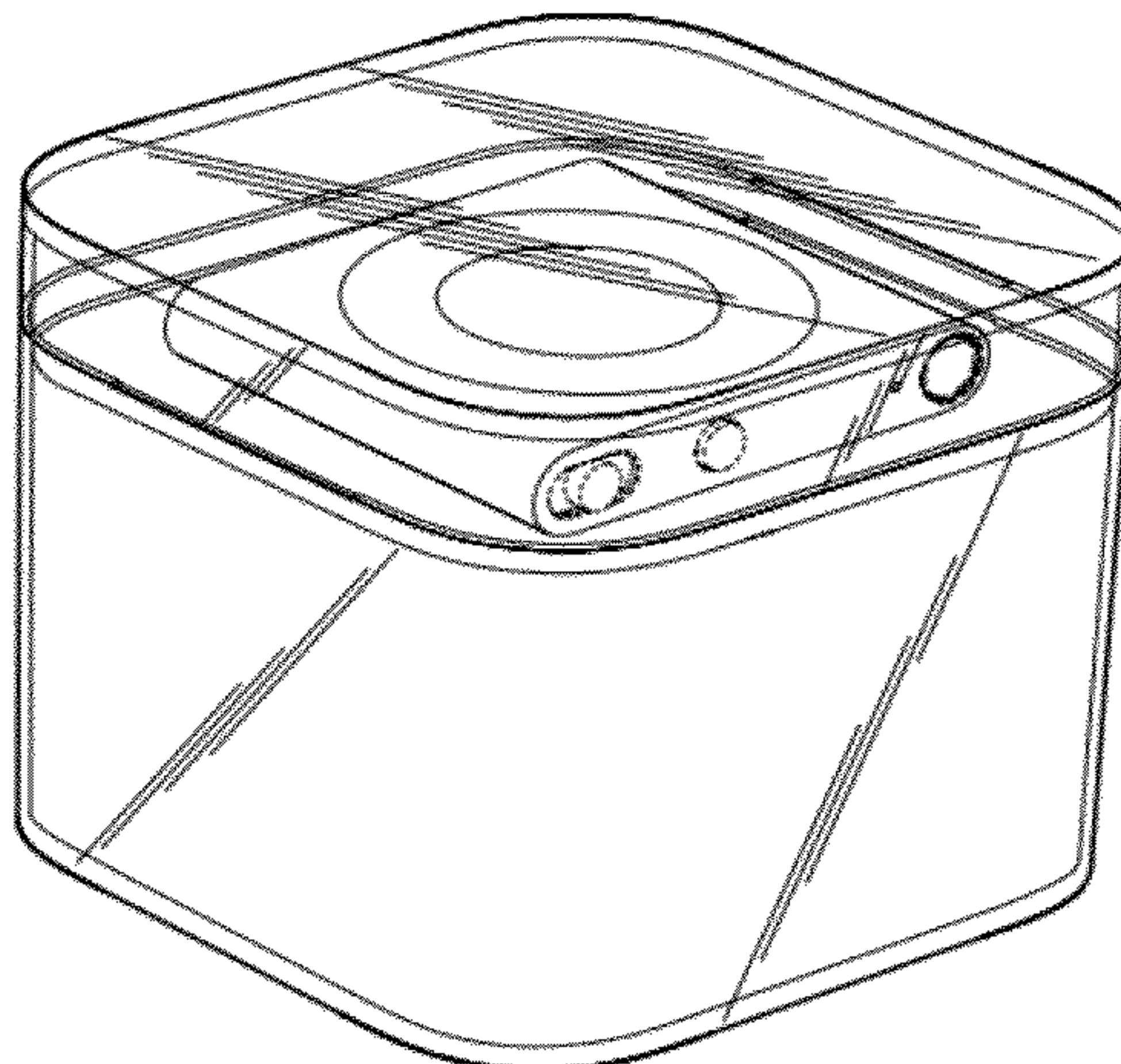
(57) **CLAIM**

The ornamental design for an electronic device and packaging therefor, as shown and described.

DESCRIPTION

FIG. 1 is a top perspective view of and electronic device and packaging therefor, showing our new design;
FIG. 2 is a bottom perspective view thereof;
FIG. 3 is a front view thereof, the rear view being a mirror image thereof;
FIG. 4 is a side view thereof, the other side view being a mirror image thereof;
FIG. 5 is a top view thereof;
FIG. 6 is a bottom view thereof;
FIG. 7 is another top perspective view thereof with the cover in an open position;
FIG. 8 is an exploded view of the electronic device and packaging therefor of FIG. 1;
FIG. 9 is another bottom perspective view of the electronic device and packaging therefor of FIG. 1 with the cover in a open position;
FIG. 10 is a front view thereof, the rear view being a mirror image thereof; and,
FIG. 11 is side view thereof, the other side being a mirror image thereof.
The shade lines in the Figures show transparency, and not surface ornamentation.
The broken lines show portions of the electronic device which form no part of the claimed design.

1 Claim, 11 Drawing Sheets



US D658,492 S

Page 2

U.S. PATENT DOCUMENTS

4,346,833 A * 8/1982 Bernhardt 220/257.1
4,750,619 A * 6/1988 Cohen et al. 206/438
5,012,928 A * 5/1991 Proffitt et al. 206/508
5,105,941 A 4/1992 Dolan et al.
D372,707 S * 8/1996 Grewe et al. D14/435
D387,982 S * 12/1997 Kaplan D9/423
D484,646 S * 12/2003 Ditrichstein D28/83
D484,797 S * 1/2004 Kipperman et al. D9/424
D501,764 S * 2/2005 Lerner D7/629
D505,517 S * 5/2005 Baresi et al. D28/76
D514,931 S * 2/2006 Snedden et al. D9/425
D558,571 S 1/2008 Andre et al.
D558,572 S 1/2008 Andre et al.
D576,486 S * 9/2008 Koza D9/432

D580,752 S 11/2008 Andre et al.
D582,267 S 12/2008 Andre et al.
D584,142 S 1/2009 Andre et al.
D596,485 S 7/2009 Andre et al.
D604,605 S * 11/2009 Chung et al. D9/432
D616,741 S 6/2010 Andre et al.
D620,795 S 8/2010 Andre et al.
D621,256 S 8/2010 Andre et al.
2008/0169218 A1 7/2008 Andre et al.

FOREIGN PATENT DOCUMENTS

KR 300253042 2/2000
KR 300267299 12/2000

* cited by examiner

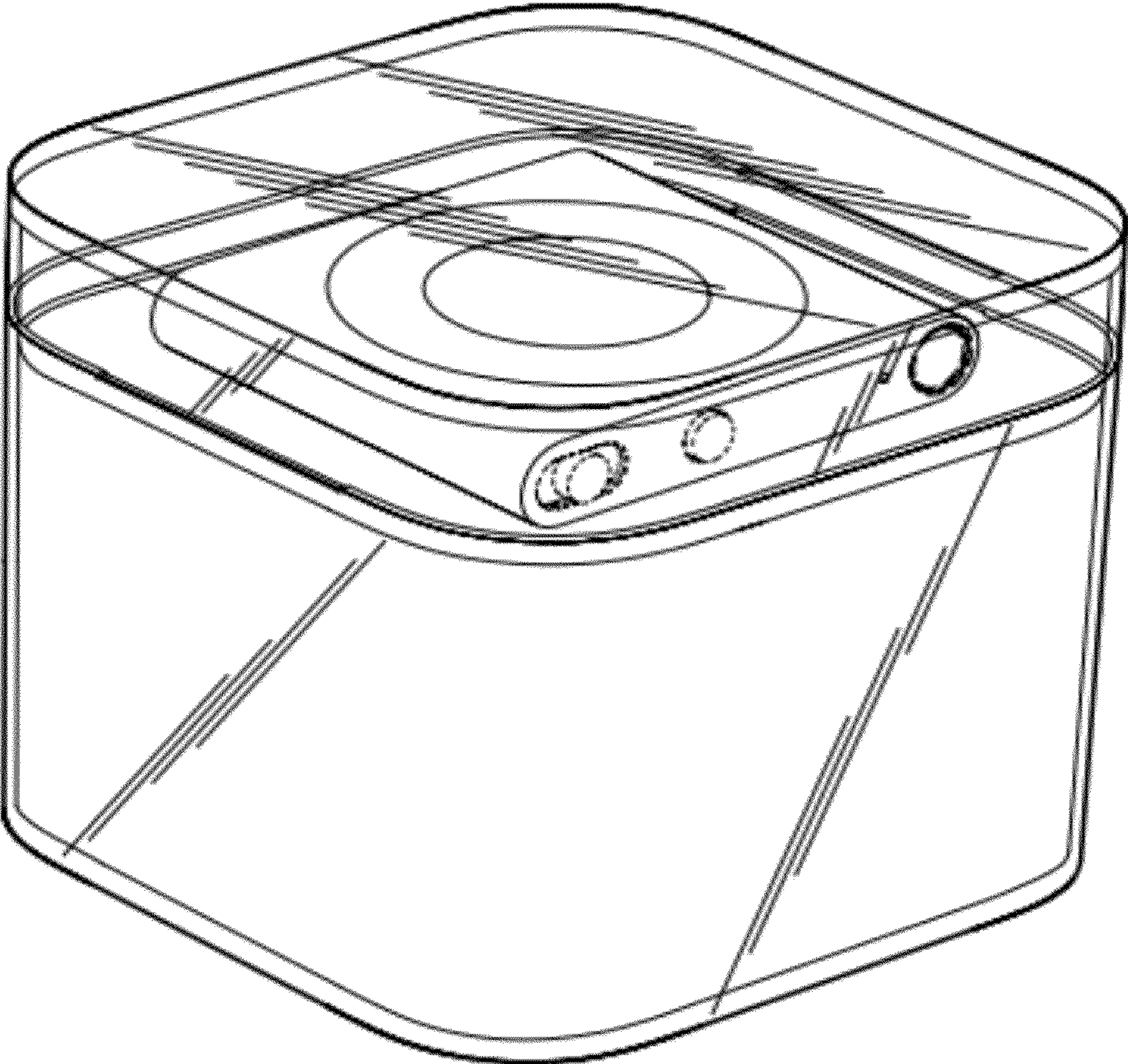


FIG. 1

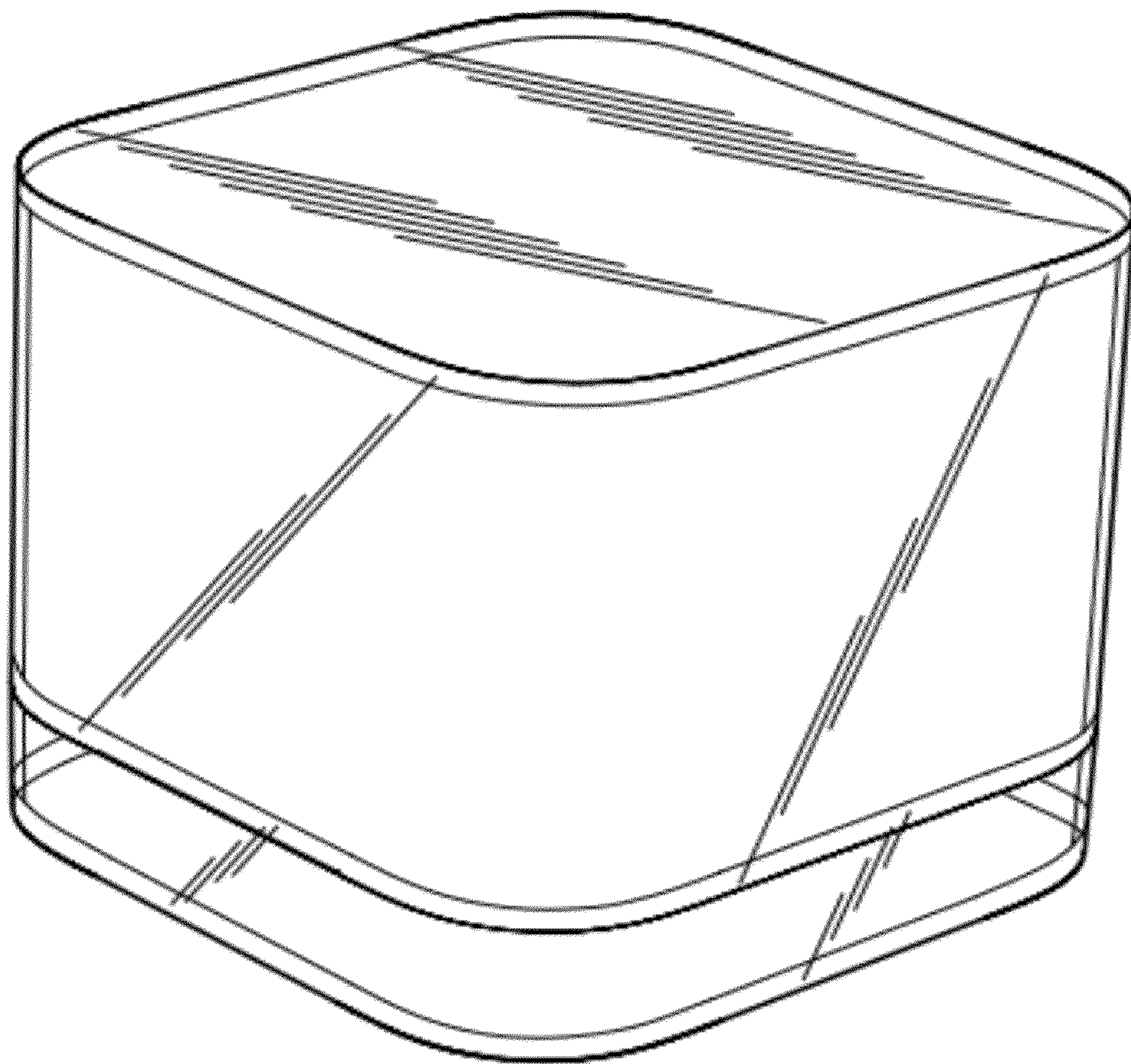


FIG. 2

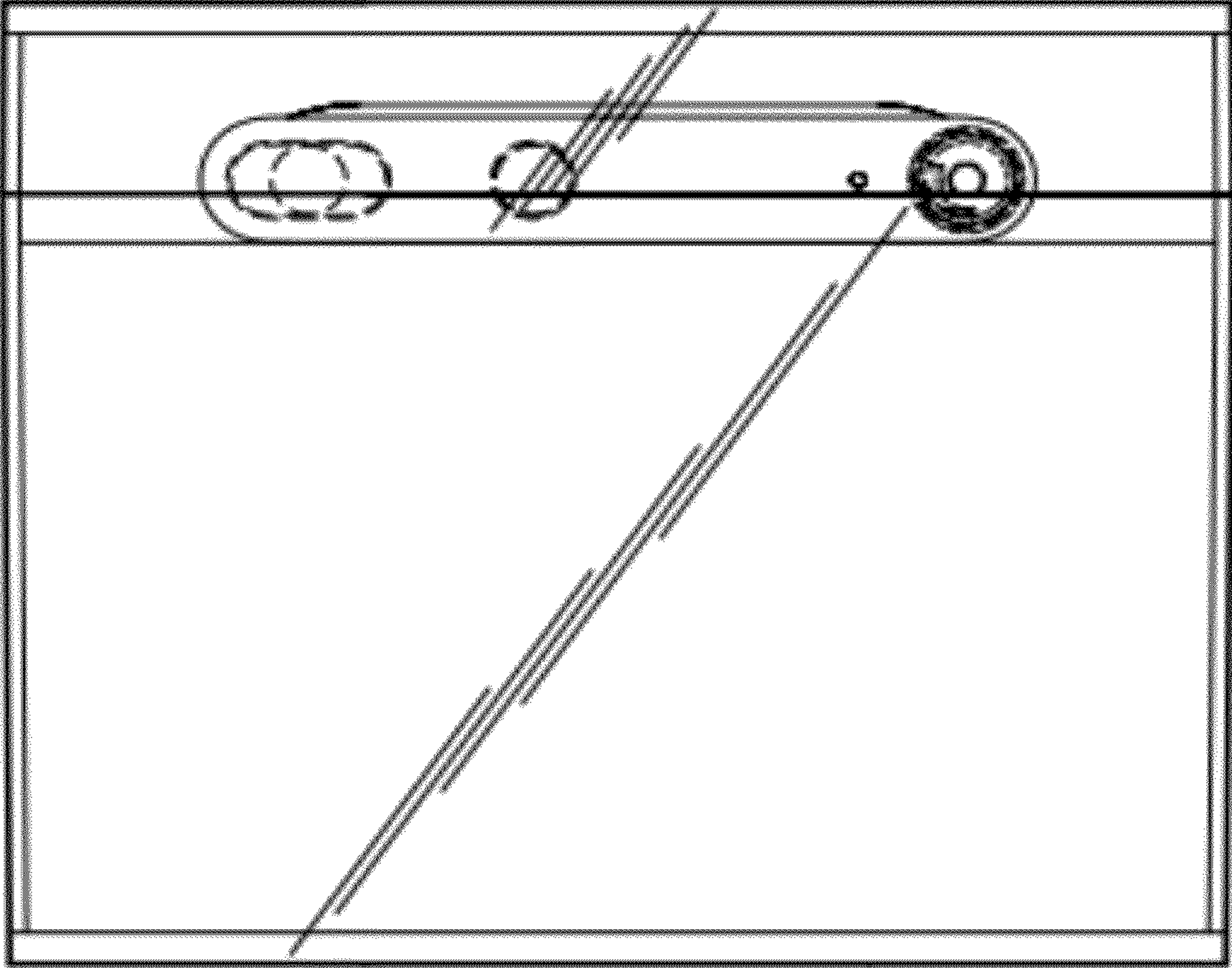


FIG.3

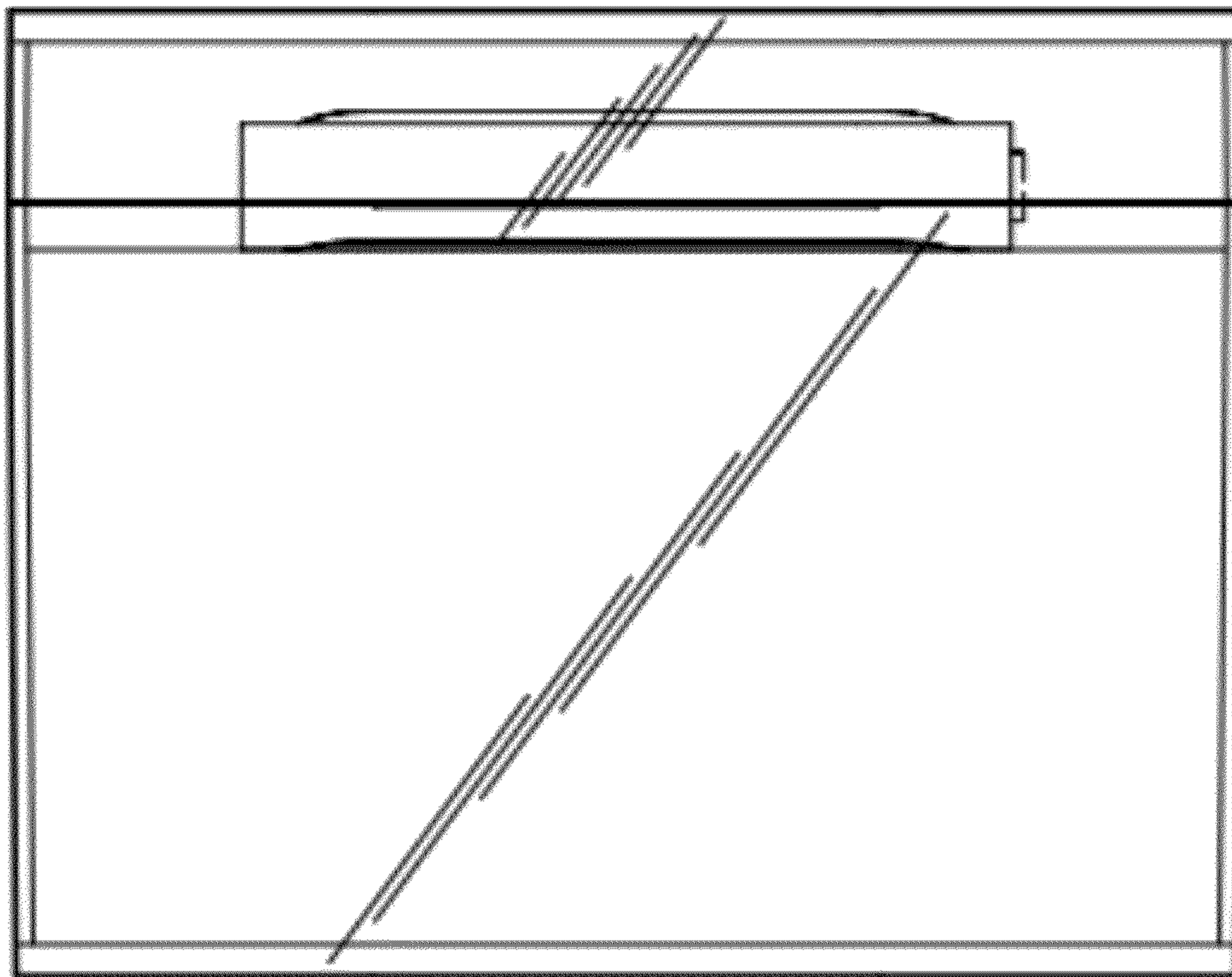


FIG.4

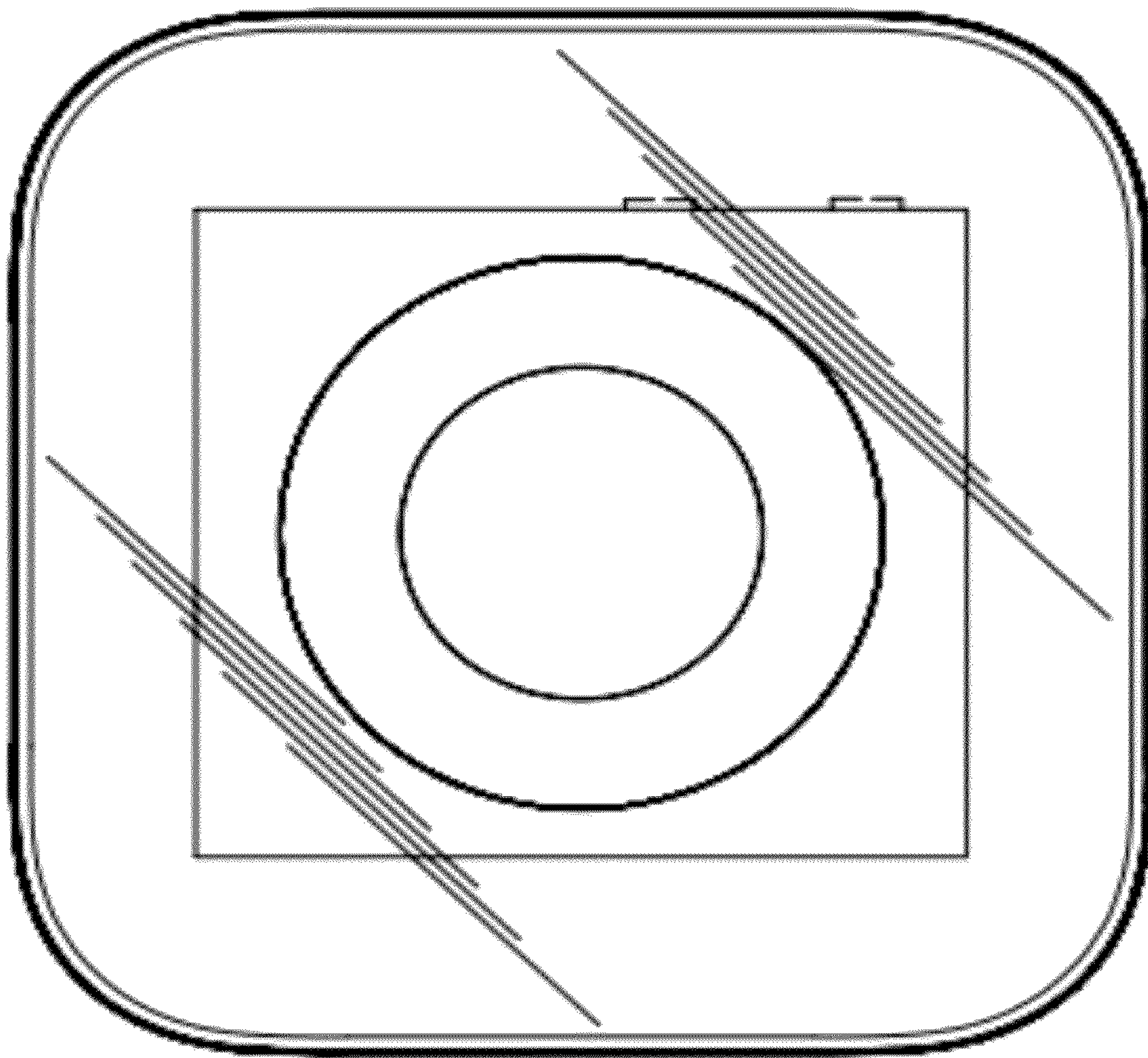


FIG.5

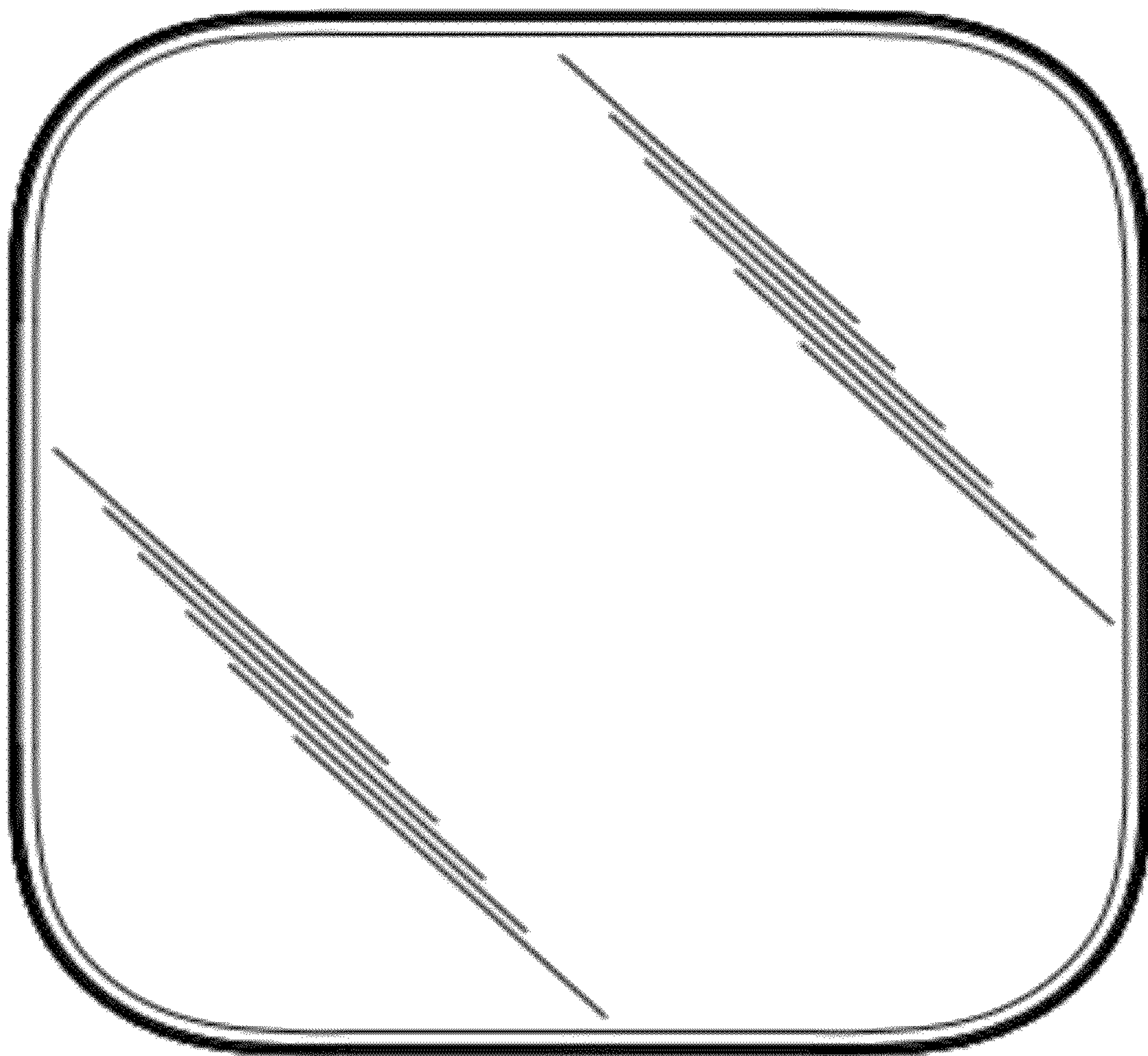


FIG.6

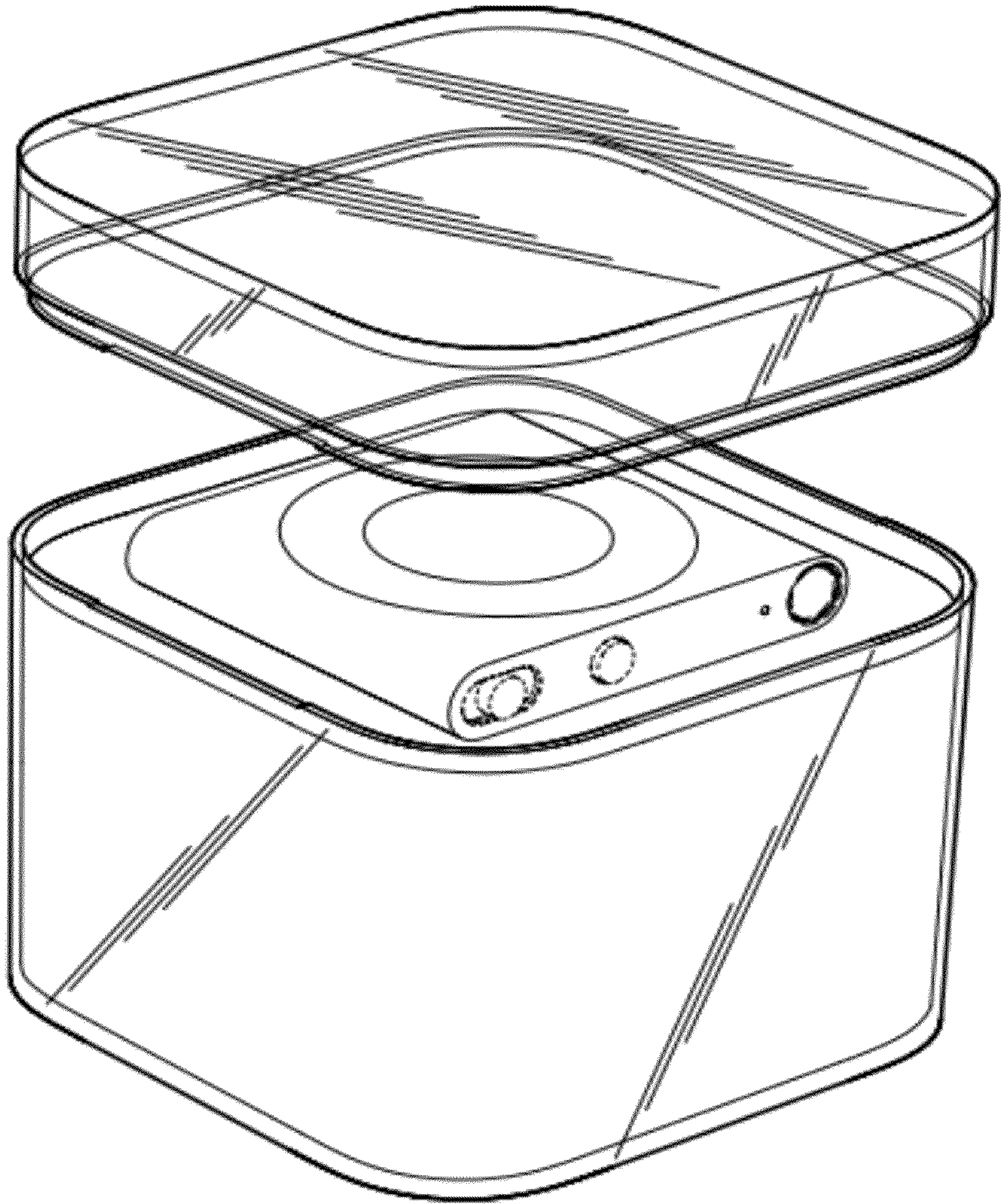


FIG.7

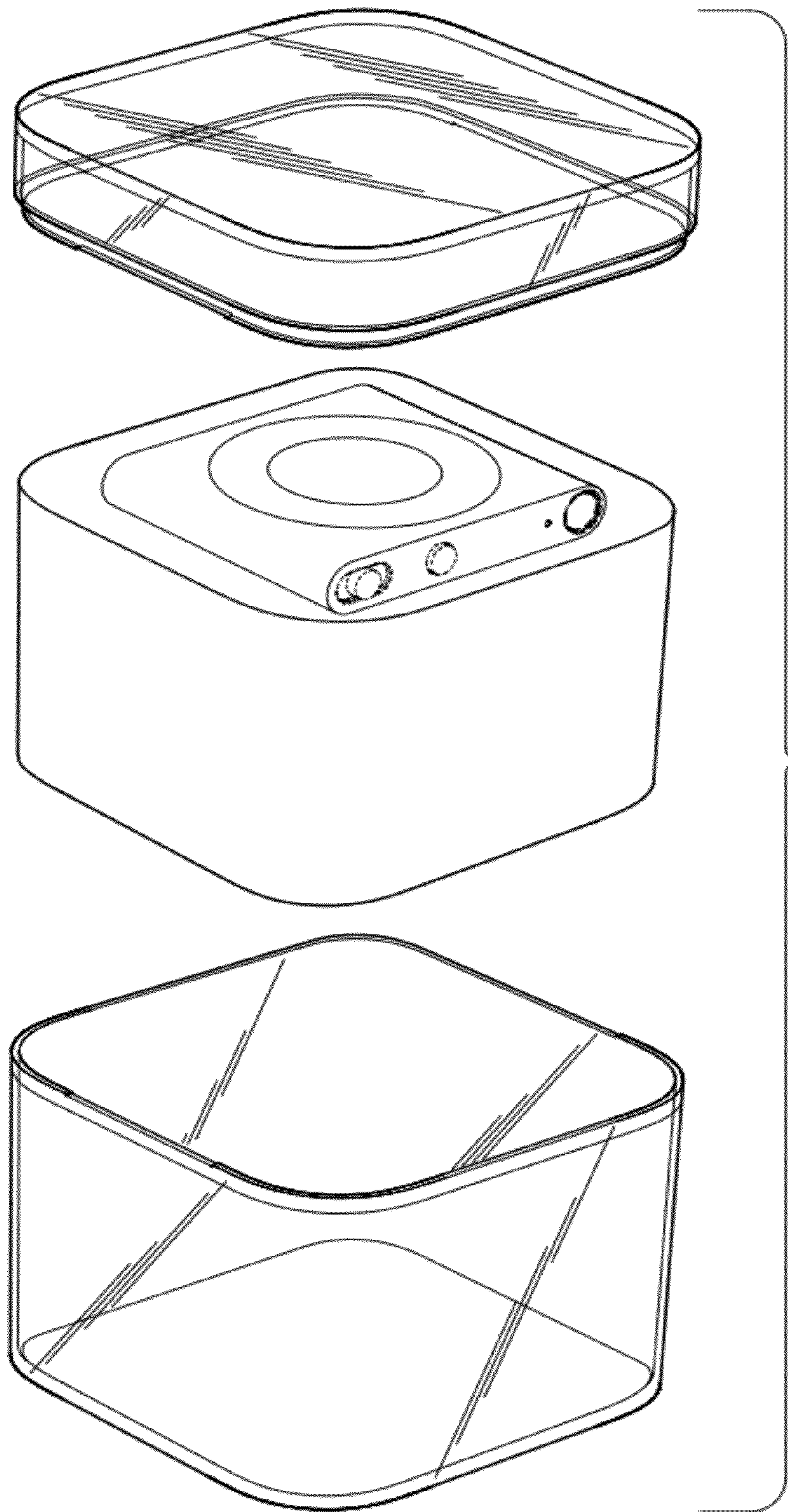


FIG. 8

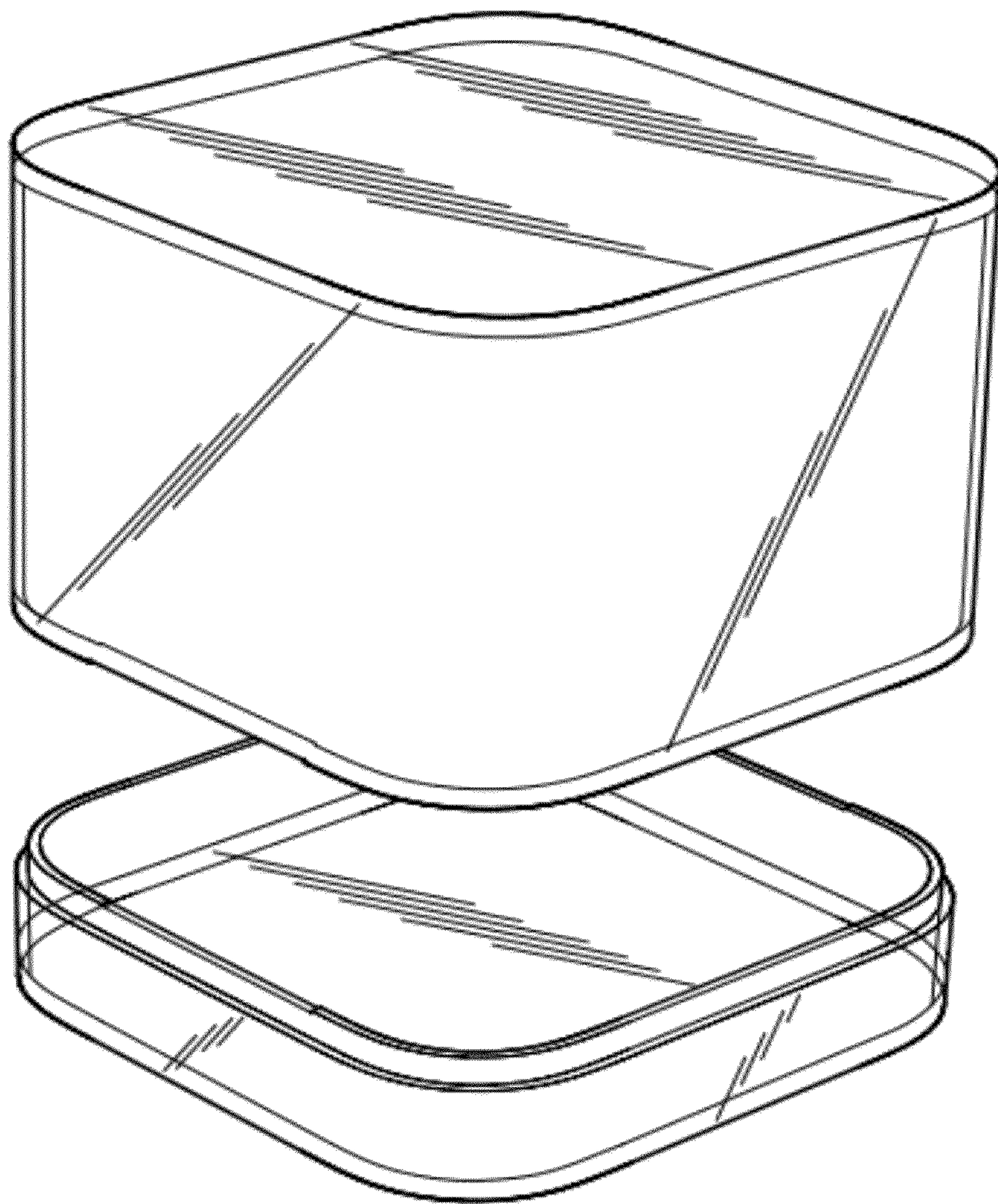


FIG.9

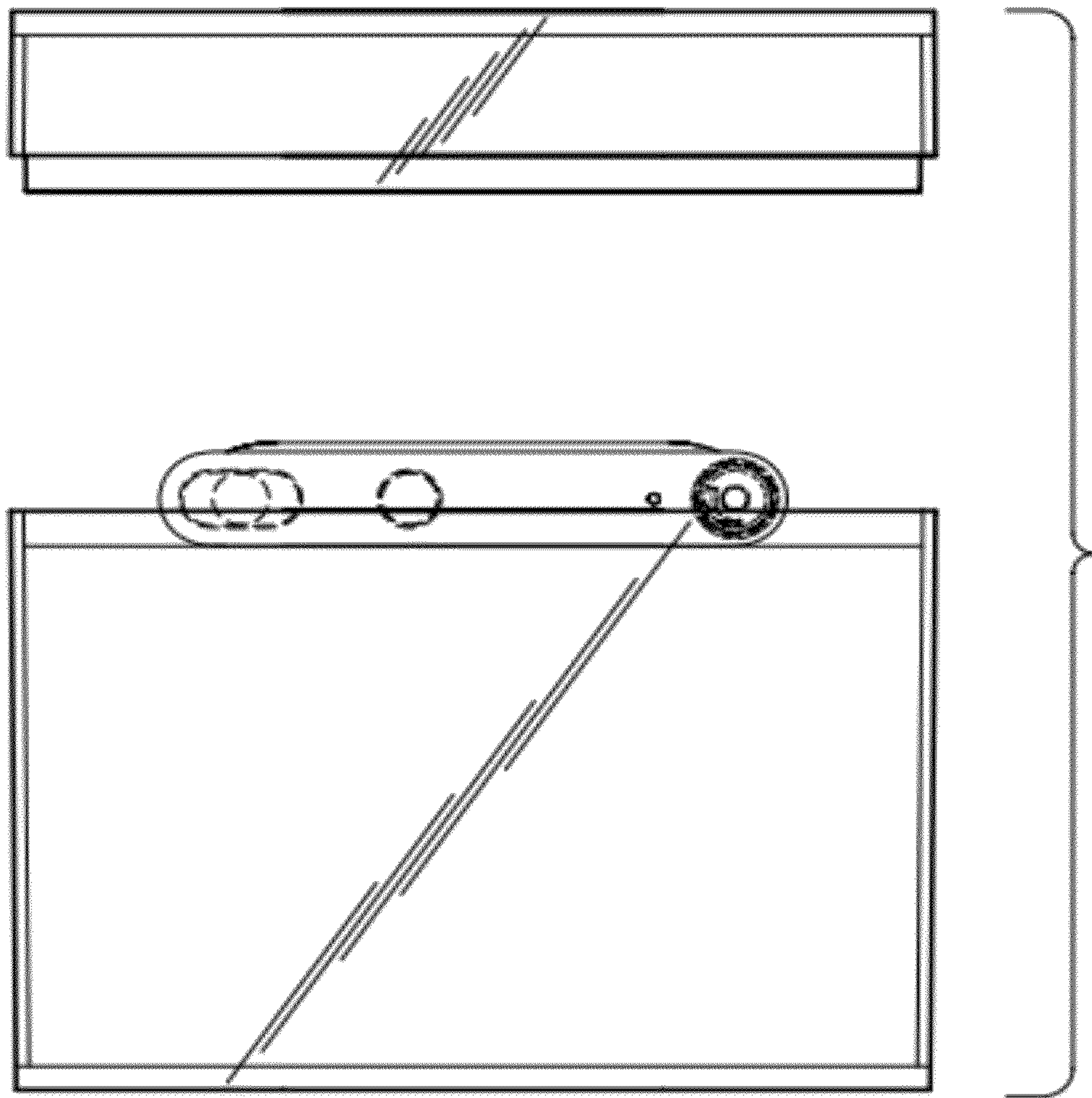


FIG. 10

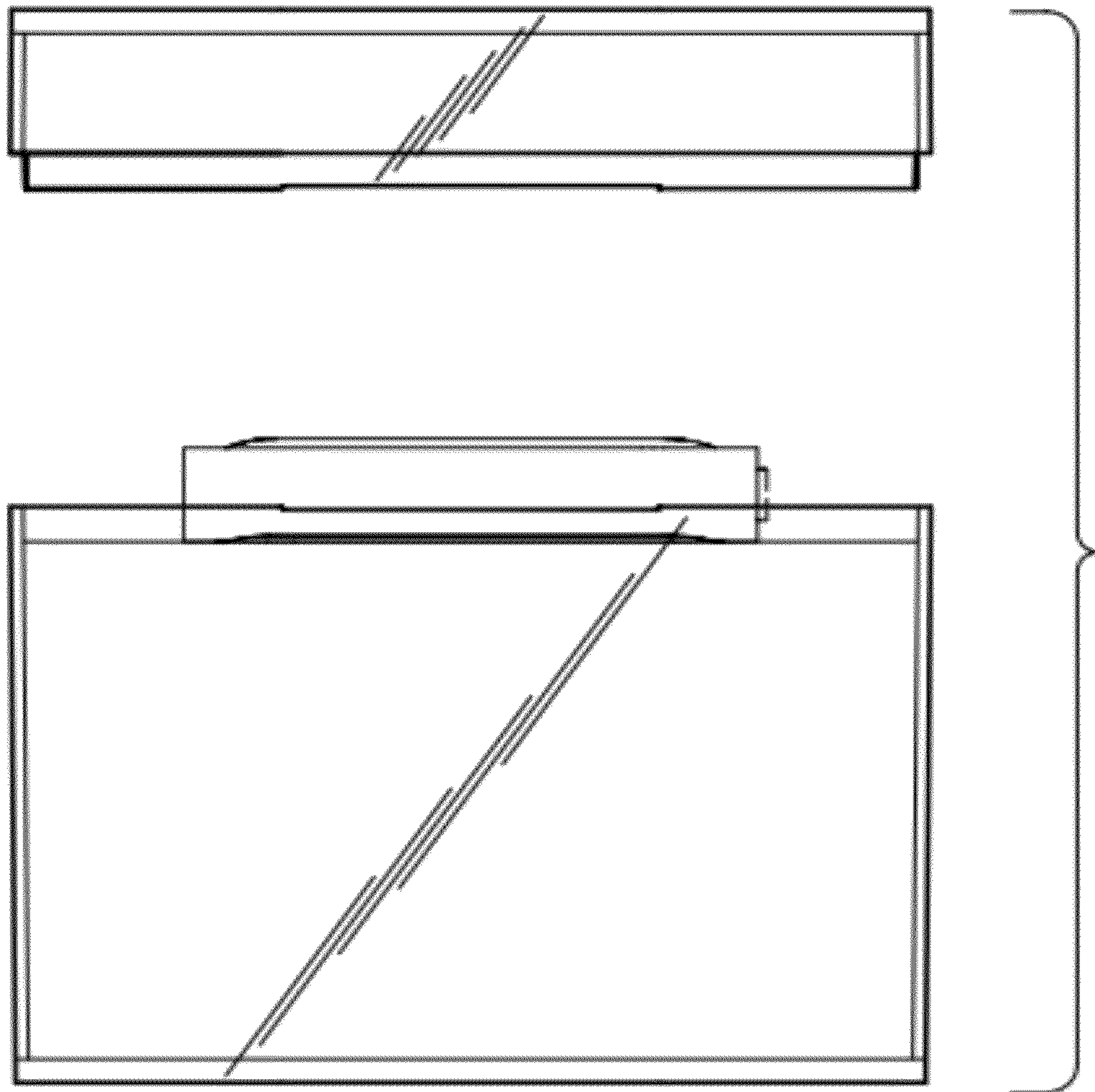


FIG. 11

UNITED STATES PATENT AND TRADEMARK OFFICE
CERTIFICATE OF CORRECTION

PATENT NO. : D658,492 S
APPLICATION NO. : 29/369022
DATED : May 1, 2012
INVENTOR(S) : Jody Akana

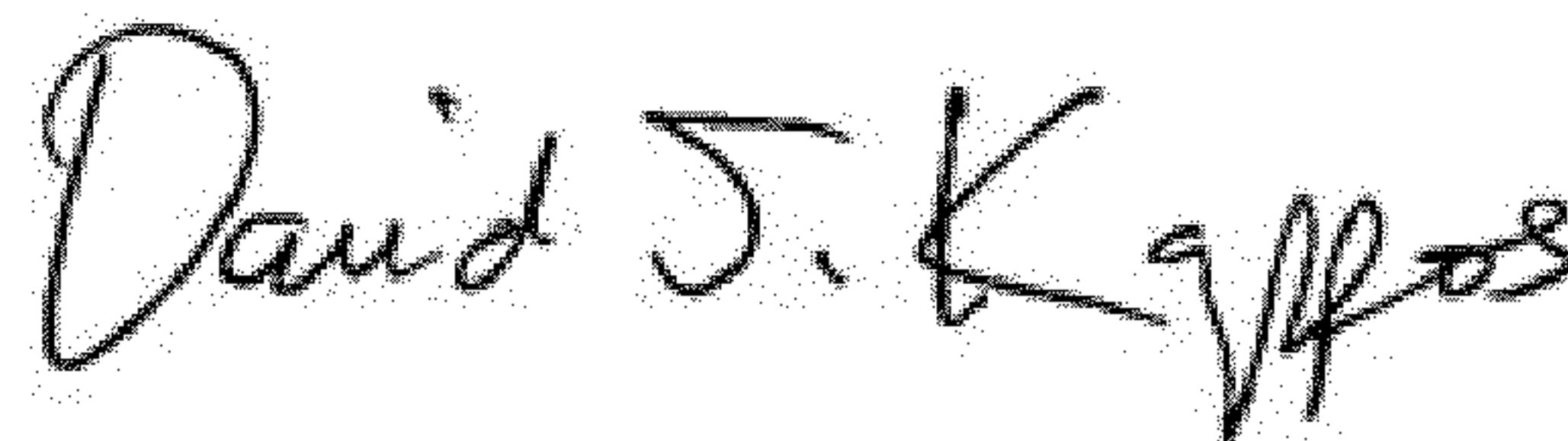
Page 1 of 1

It is certified that error appears in the above-identified patent and that said Letters Patent is hereby corrected as shown below:

In the description of FIG. 1, please change “and electronic” to --an electronic--.

In the description of FIG. 9, please change “a open position” to --an open position--.

Signed and Sealed this
Thirty-first Day of July, 2012

A handwritten signature in black ink that reads "David J. Kappos". The signature is written in a cursive, slightly slanted style.

David J. Kappos
Director of the United States Patent and Trademark Office