



US00D658491S

(12) **United States Design Patent**  
**Raber**

(10) **Patent No.:** **US D658,491 S**

(45) **Date of Patent:** **\*\* May 1, 2012**

(54) **SNOW GUARD**

(76) Inventor: **Jonathan N. Raber**, Ashland, OH (US)

(\*\*) Term: **14 Years**

(21) Appl. No.: **29/396,901**

(22) Filed: **Jul. 8, 2011**

(51) **LOC (9) Cl.** ..... **08-99**

(52) **U.S. Cl.** ..... **D8/499; D25/199**

(58) **Field of Classification Search** ..... D8/400-499;  
D25/199; 52/24-26, 545, 533, 98  
See application file for complete search history.

(56) **References Cited**

**U.S. PATENT DOCUMENTS**

1,863,561	A *	6/1932	Brinker et al.	52/24
4,141,182	A *	2/1979	McMullen	52/24
D351,989	S *	11/1994	Cline et al.	D8/499
D364,338	S *	11/1995	Cline	D8/499
D372,421	S *	8/1996	Cline	D8/499
5,655,334	A *	8/1997	Kwiatkowski	52/24
D387,443	S *	12/1997	Blankenbiller	D25/199
6,499,259	B1 *	12/2002	Hockman	52/26
D494,461	S *	8/2004	Dressler	D8/499
D495,595	S *	9/2004	Dressler	D8/499
D499,331	S *	12/2004	Dressler	D8/499
D512,303	S *	12/2005	Prichard et al.	D8/499
6,996,938	B1 *	2/2006	Mullane	52/24
D519,025	S *	4/2006	Dressler	D8/499
D537,336	S *	2/2007	Fisher	D8/499
7,174,677	B1 *	2/2007	Dressler	52/26
7,213,373	B2 *	5/2007	Hockman	52/24
D553,972	S *	10/2007	Prichard et al.	D8/499
7,467,497	B2 *	12/2008	Hockman	52/24

7,487,617	B2 *	2/2009	Hockman	52/25
D610,443	S *	2/2010	Fisher	D8/499
D610,444	S *	2/2010	Fisher	D8/499
7,774,989	B2 *	8/2010	Fisher	52/26
D625,176	S *	10/2010	Fisher	D8/499
7,997,032	B2 *	8/2011	Riley et al.	52/24
2005/0193650	A1 *	9/2005	Hockman	52/198
2005/0217184	A1 *	10/2005	Smeja et al.	52/24
2005/0257434	A1 *	11/2005	Hockman	52/24
2006/0010785	A1 *	1/2006	Hockman	52/24
2007/0095009	A1 *	5/2007	Hockman	52/745.06
2009/0266003	A1 *	10/2009	Riley et al.	52/24
2010/0000161	A1 *	1/2010	Fisher	52/26

\* cited by examiner

*Primary Examiner* — Mark Goodwin

(74) *Attorney, Agent, or Firm* — Renner Kenner Greive  
Bobak Taylor & Weber

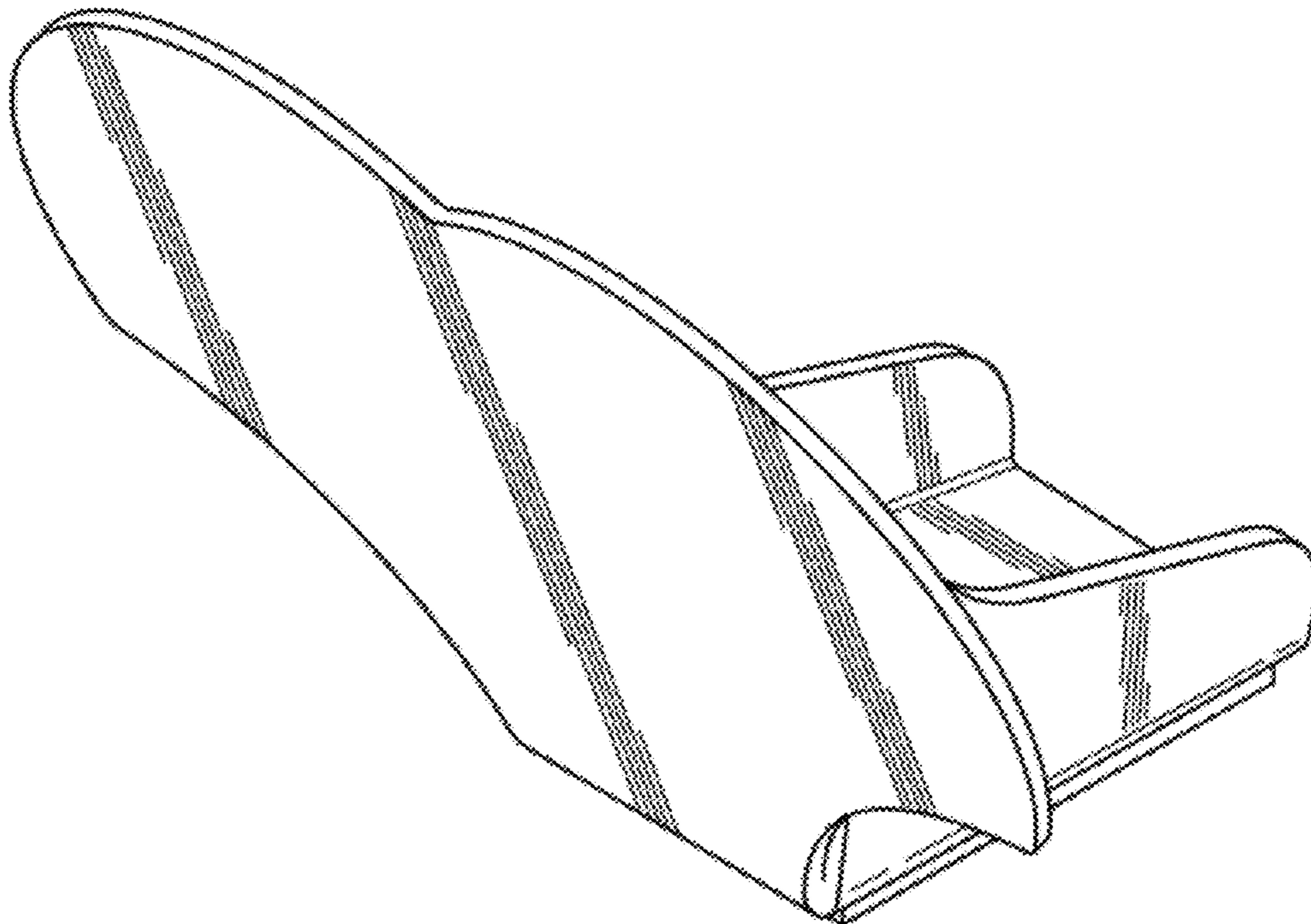
(57) **CLAIM**

The ornamental design for a snow guard, as shown and described.

**DESCRIPTION**

FIG. 1 is a perspective view of the snow guard showing my new design;  
FIG. 2 is a front elevational view of the snow guard;  
FIG. 3 is a bottom plan view of the snow guard;  
FIG. 4 is a rear elevational view of the snow guard;  
FIG. 5 is a top plan view of the snow guard;  
FIG. 6 is a right-side elevational view of the snow guard; and,  
FIG. 7 is a left-side elevational view of the snow guard.  
The dashed portions shown in the drawing do not form part of the claimed design.

**1 Claim, 4 Drawing Sheets**



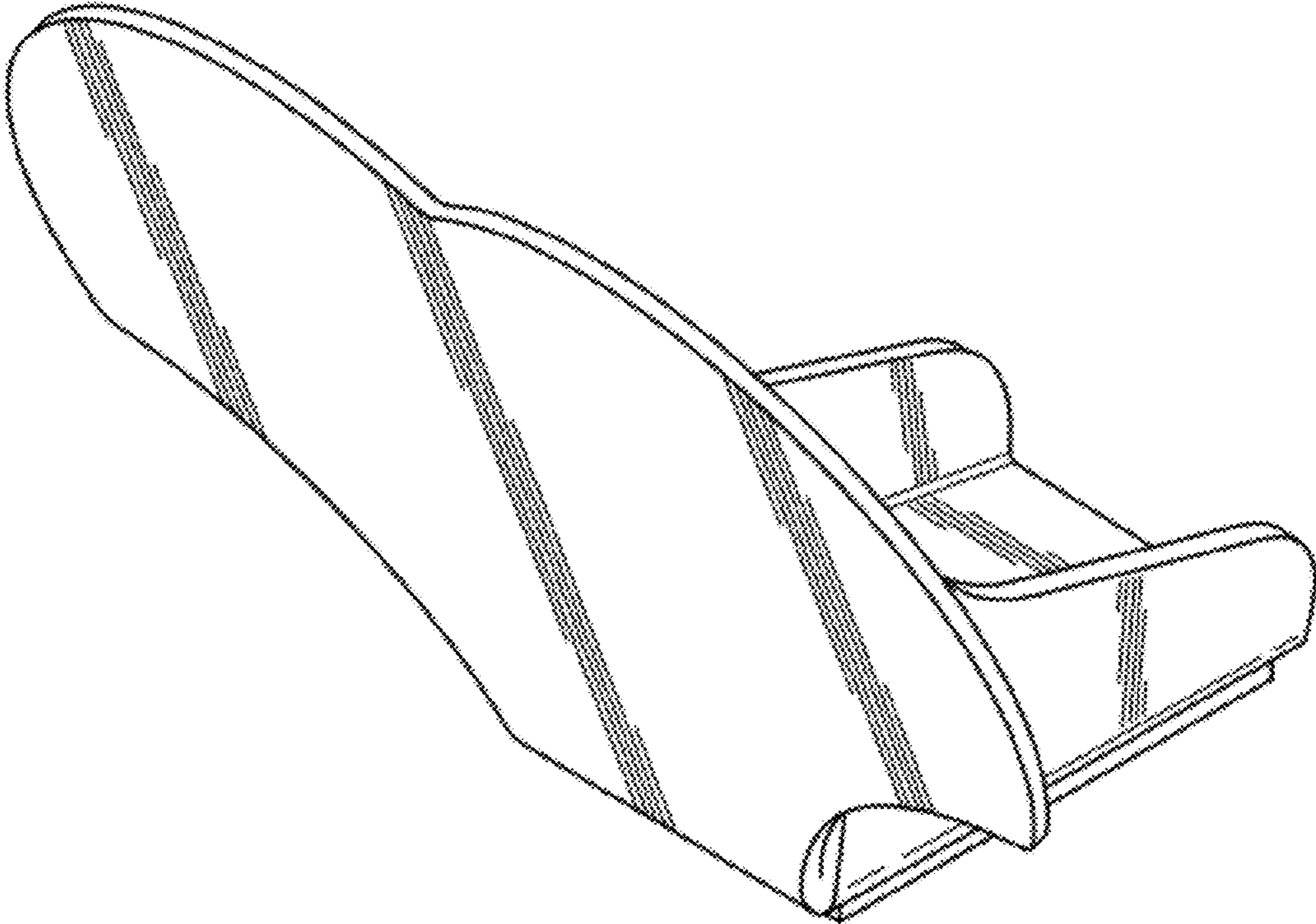


FIG. 1

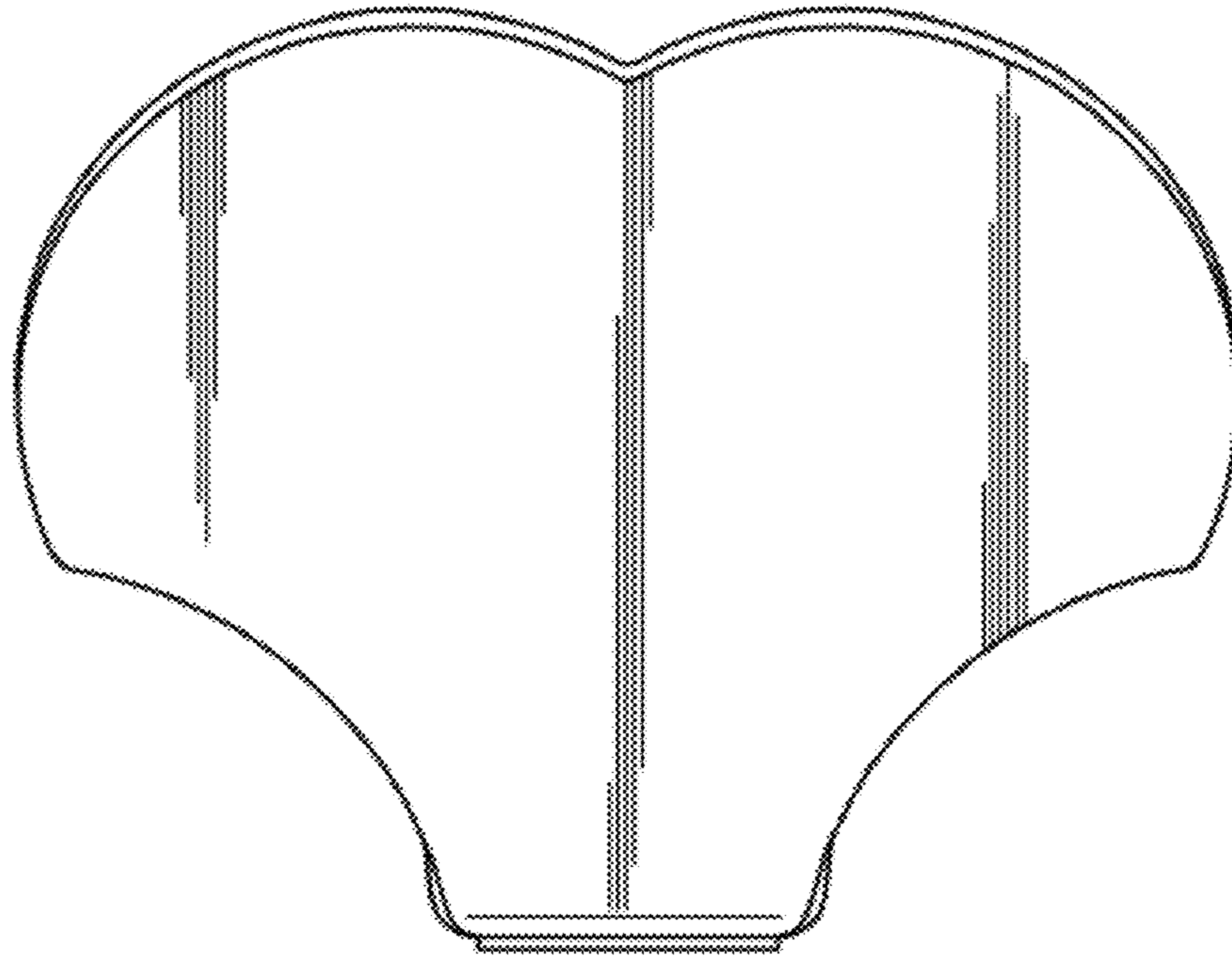


FIG. 2

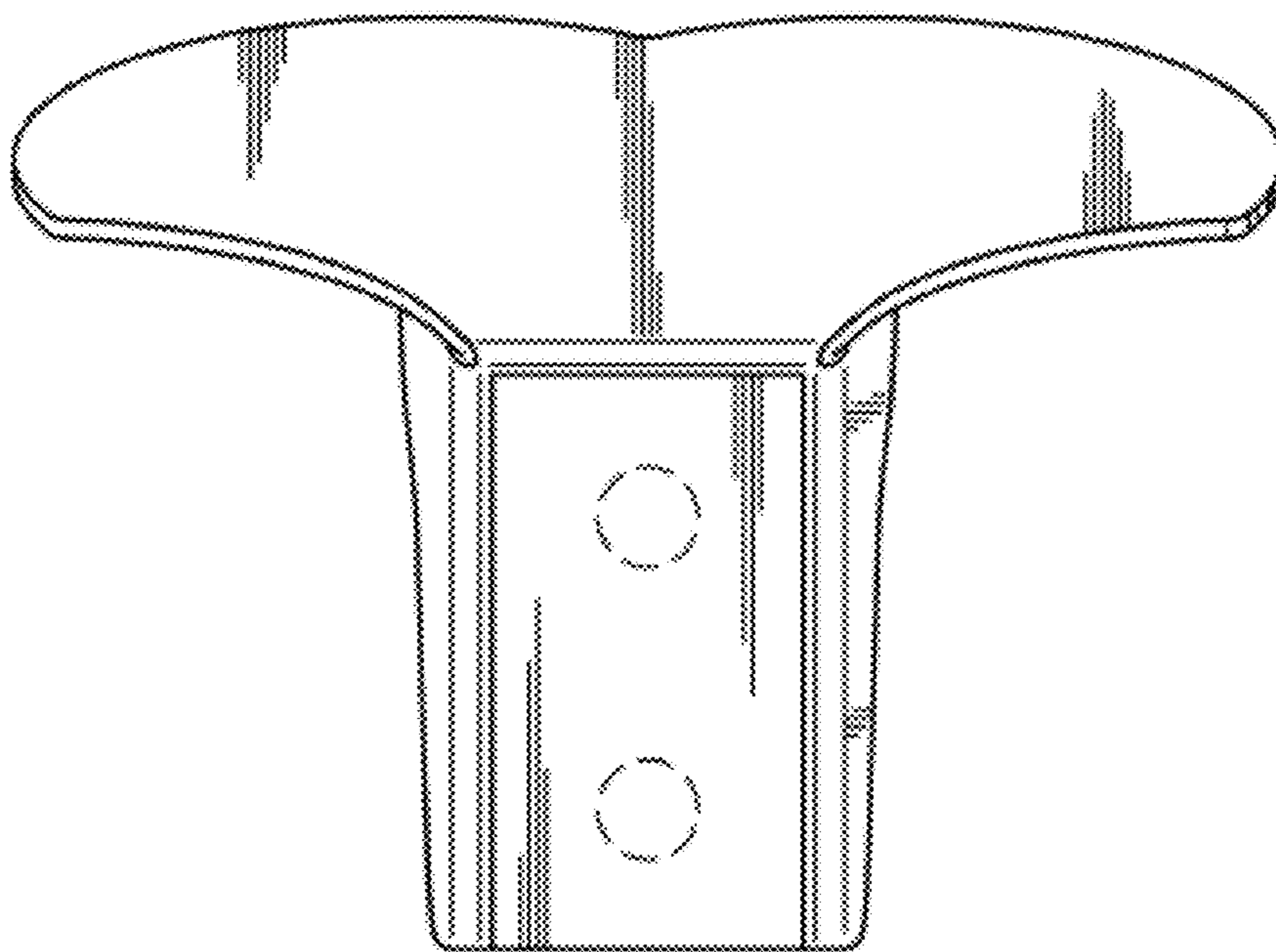


FIG. 3

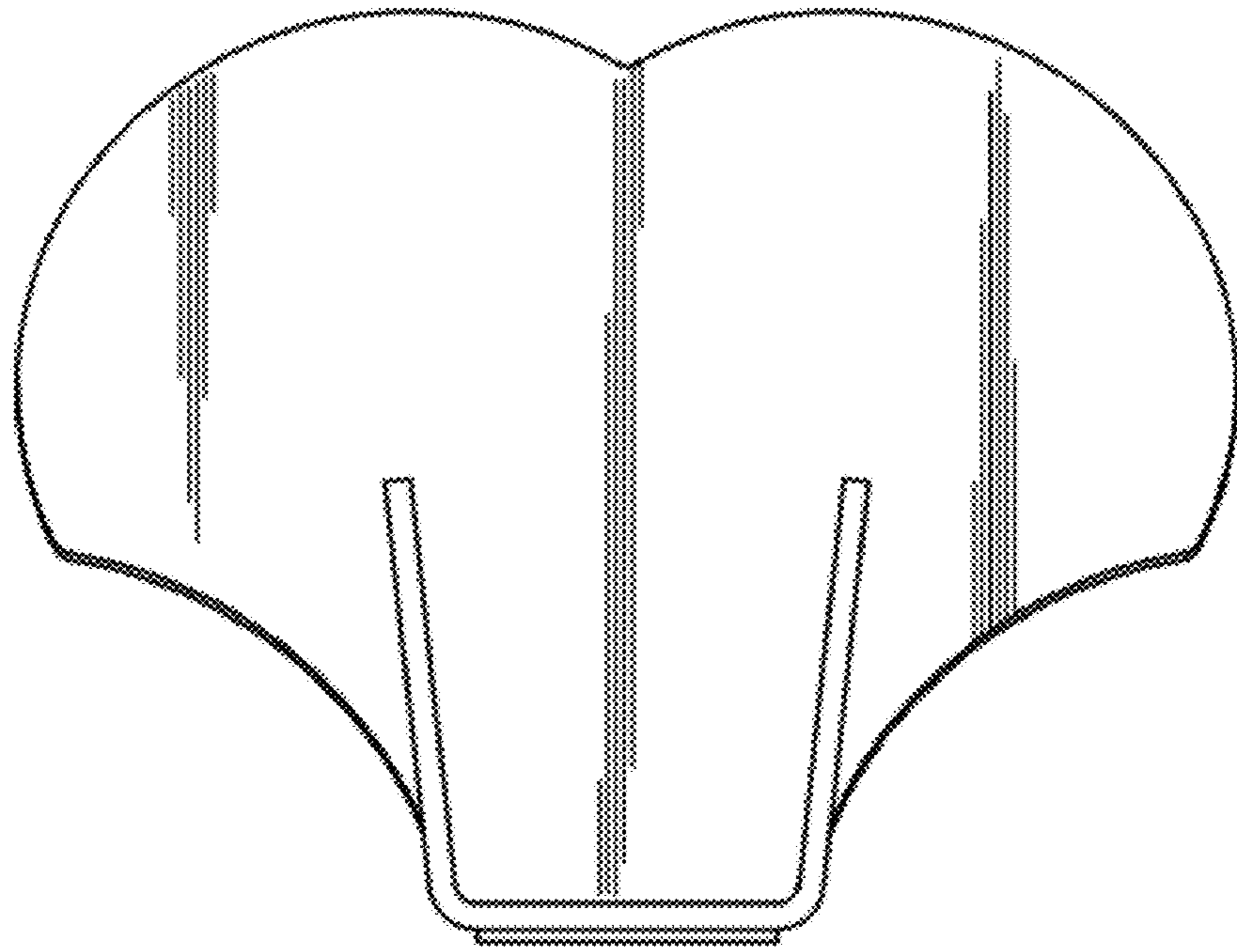


FIG. 4

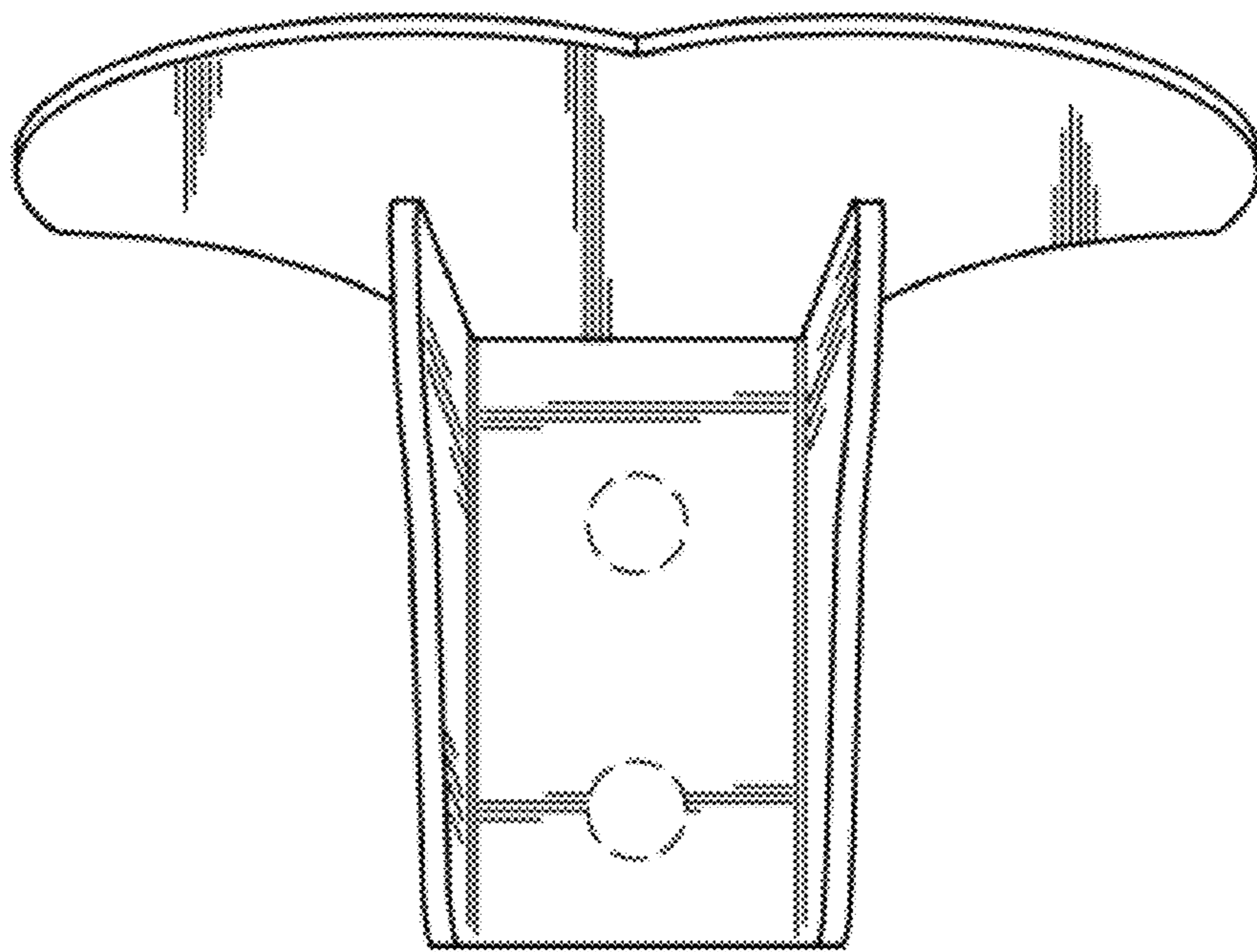


FIG. 5

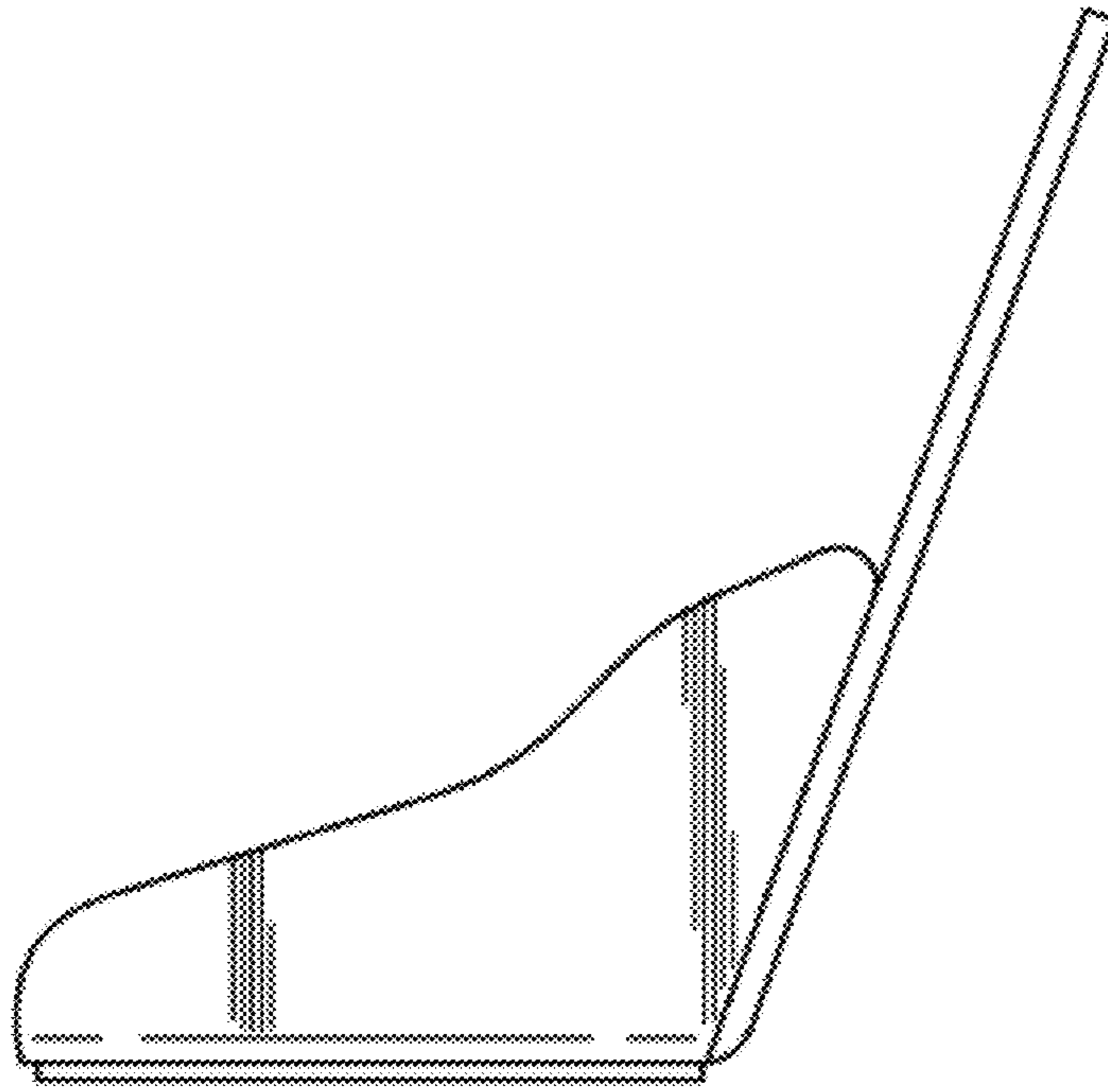


FIG. 6

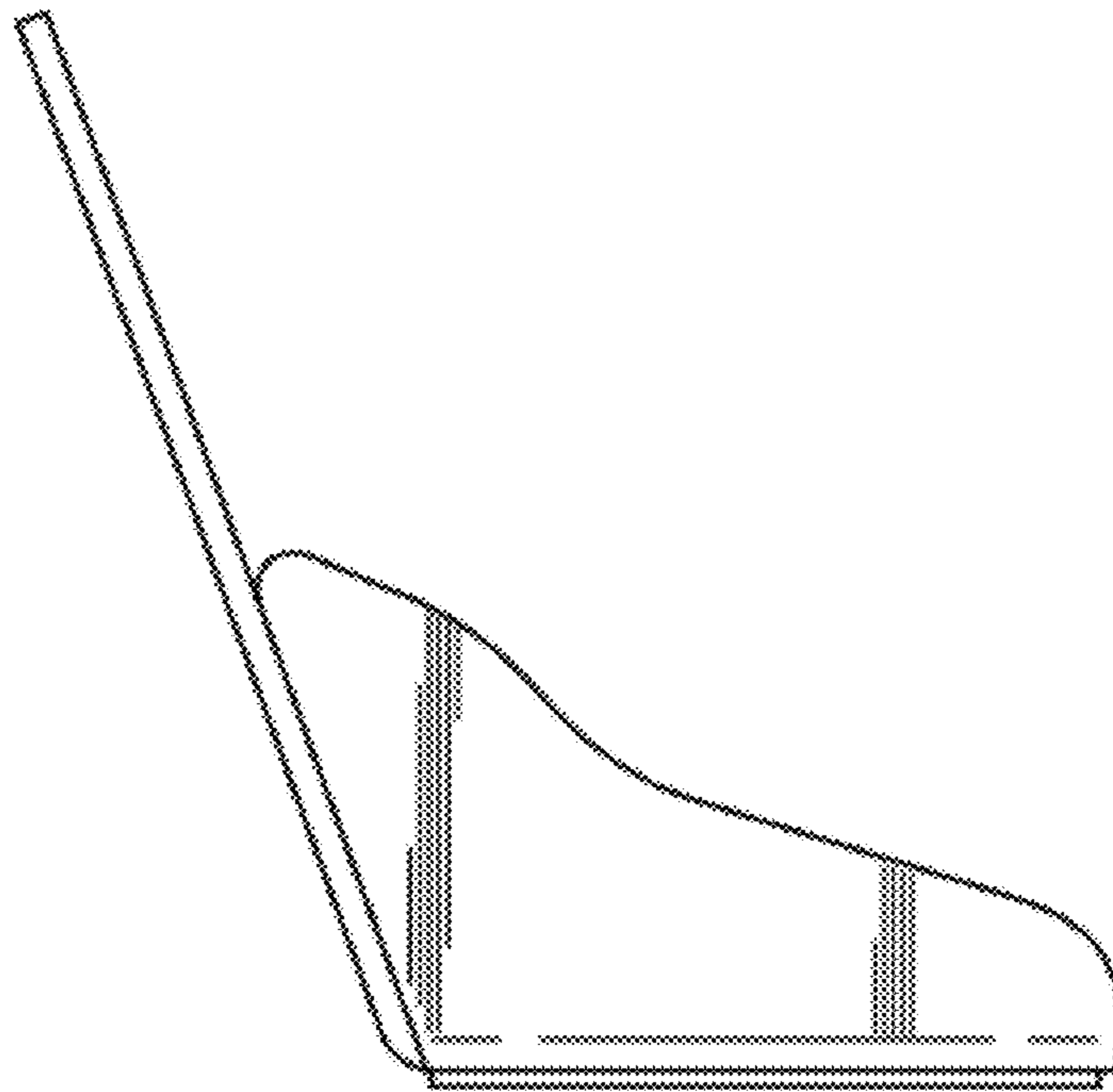


FIG. 7