



US00D658487S

(12) **United States Design Patent**
Chih

(10) **Patent No.:** **US D658,487 S**

(45) **Date of Patent:** **** May 1, 2012**

(54) **PULLEY**

(76) **Inventor:** **Gordon Chih**, Changhua Hsien (TW)

(**) **Term:** **14 Years**

(21) **Appl. No.:** **29/391,585**

(22) **Filed:** **May 11, 2011**

(30) **Foreign Application Priority Data**

Nov. 15, 2010 (TW) 099305841

(51) **LOC (9) Cl.** **08-05**

(52) **U.S. Cl.** **D8/360**

(58) **Field of Classification Search** D8/356,
D8/360, 349, 359, 354; 211/119.04, 119.05;
384/417; 254/391

See application file for complete search history.

(56) **References Cited**

U.S. PATENT DOCUMENTS

D18,536 S *	8/1888	Stearns	D8/360
D184,346 S *	2/1959	Gerland	D8/360
D186,279 S *	10/1959	Fox	D8/360
3,714,838 A *	2/1973	Gilson	254/391
D366,824 S *	2/1996	Moore	D8/360

D400,084 S *	10/1998	Wullimann	D8/360
6,092,791 A *	7/2000	Kingery	254/371
D431,449 S *	10/2000	Mihailovic	D8/360
D621,240 S *	8/2010	Lutter et al.	D8/356
2009/0114893 A1 *	5/2009	Lange	254/390

* cited by examiner

Primary Examiner — Cynthia Underwood

(74) *Attorney, Agent, or Firm* — Guice Patents PLLC

(57) **CLAIM**

I claim the ornamental design for a pulley, as shown and described.

DESCRIPTION

FIG. 1 is a perspective view of a pulley in accordance with the present invention;

FIG. 2 is a front view thereof;

FIG. 3 is a rear view thereof;

FIG. 4 is a left side view thereof;

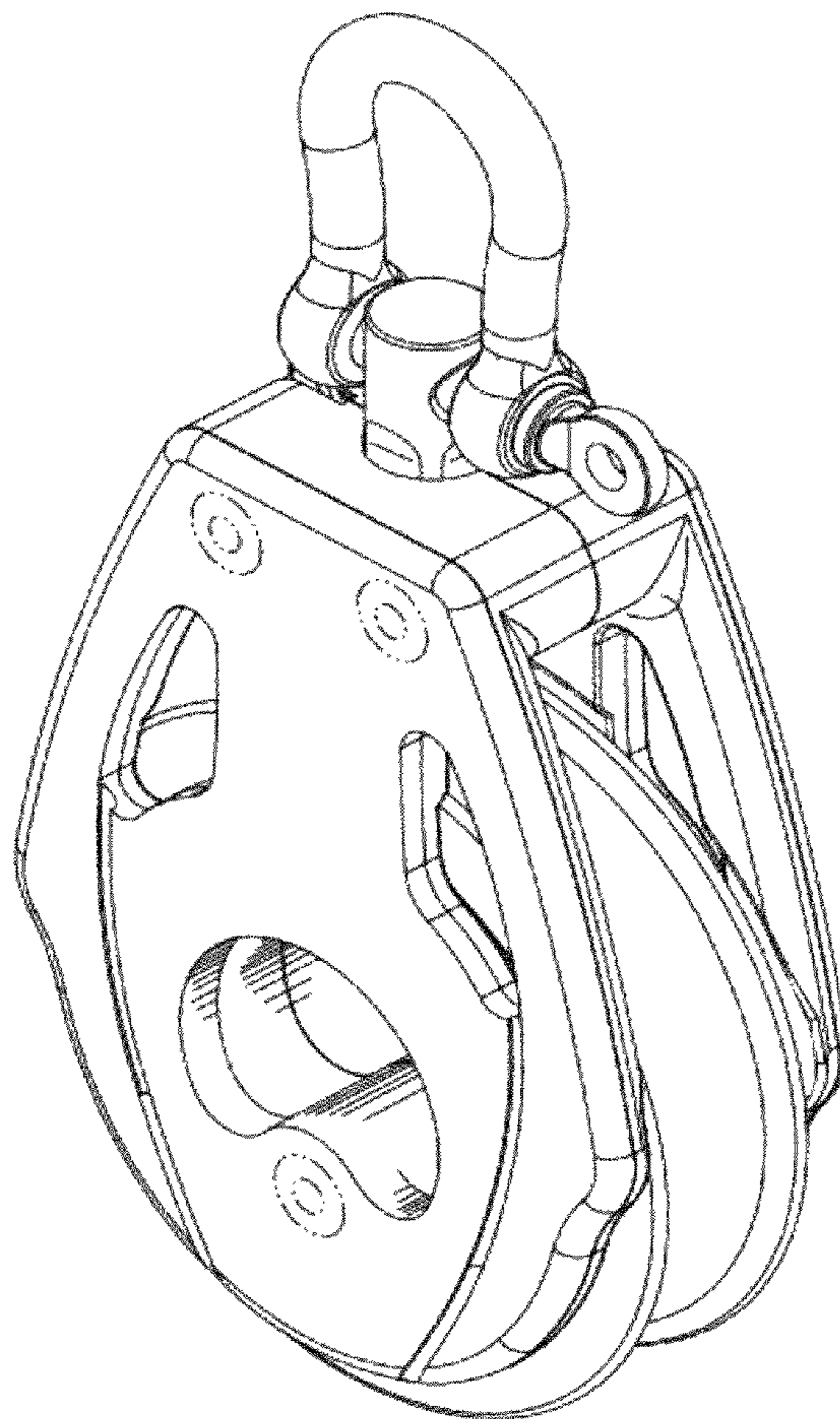
FIG. 5 is a right side view thereof;

FIG. 6 is a top view thereof; and,

FIG. 7 is a bottom view thereof.

The broken lines are included for the purpose of illustrating portions of the structure that form no part of the claim.

1 Claim, 6 Drawing Sheets



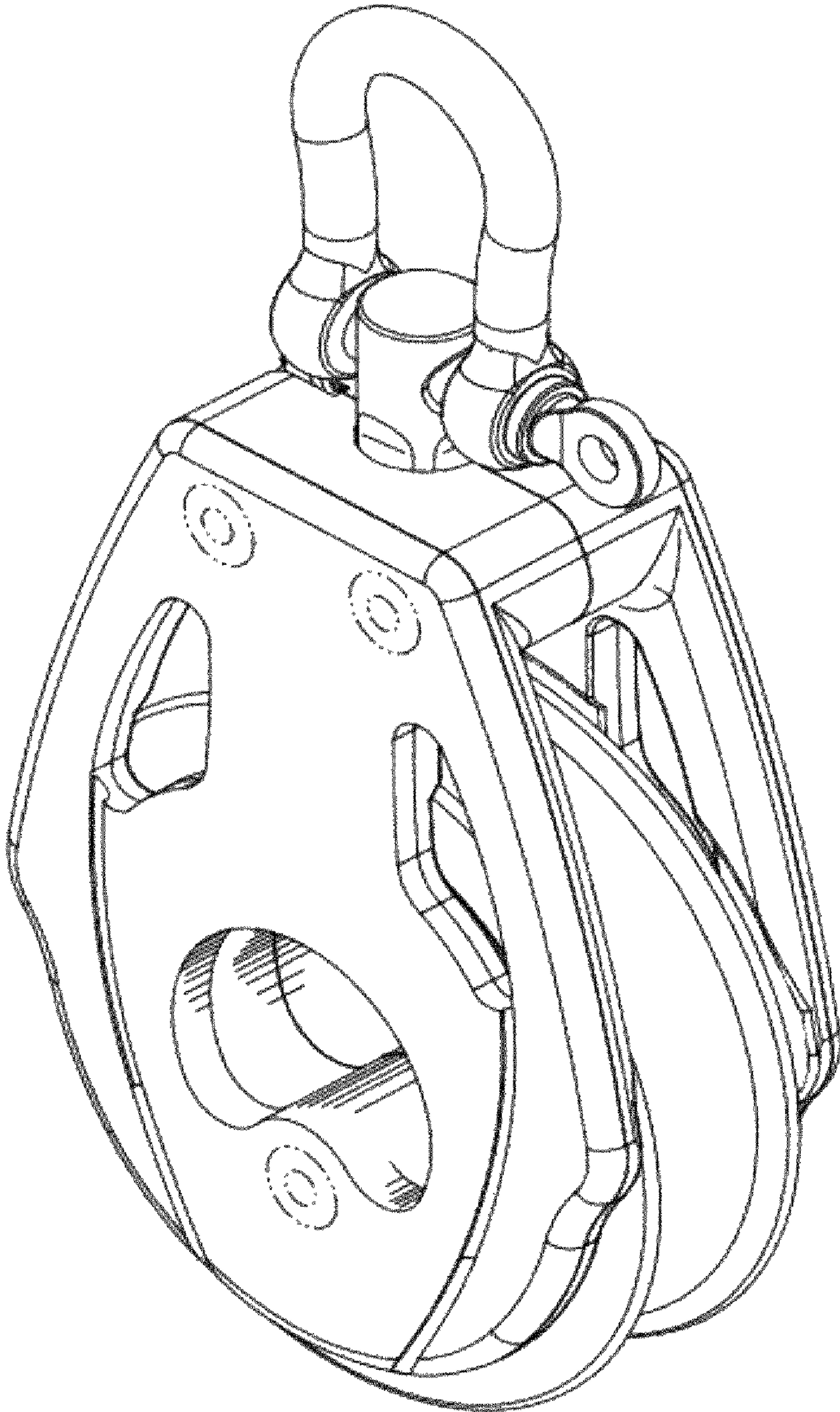


Fig. 1

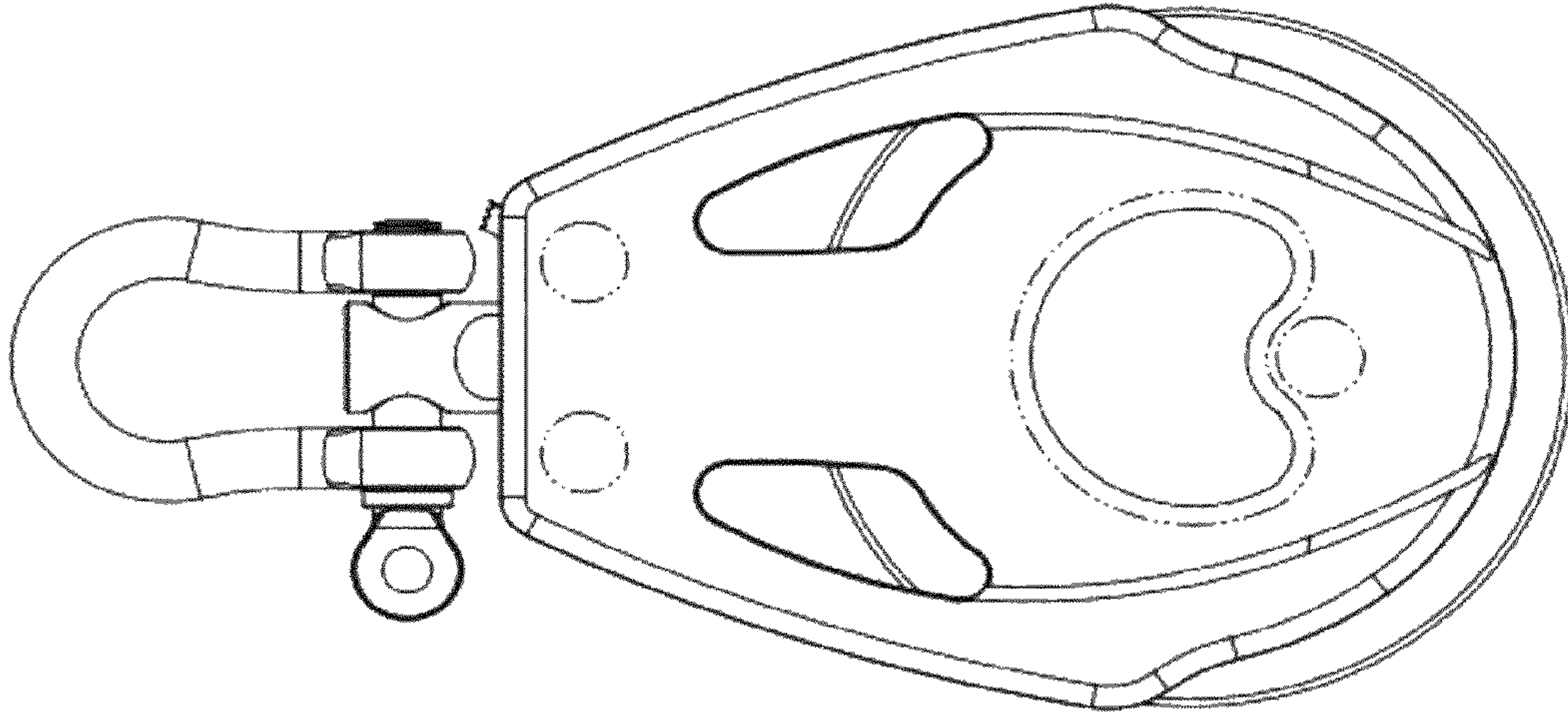


Fig. 2

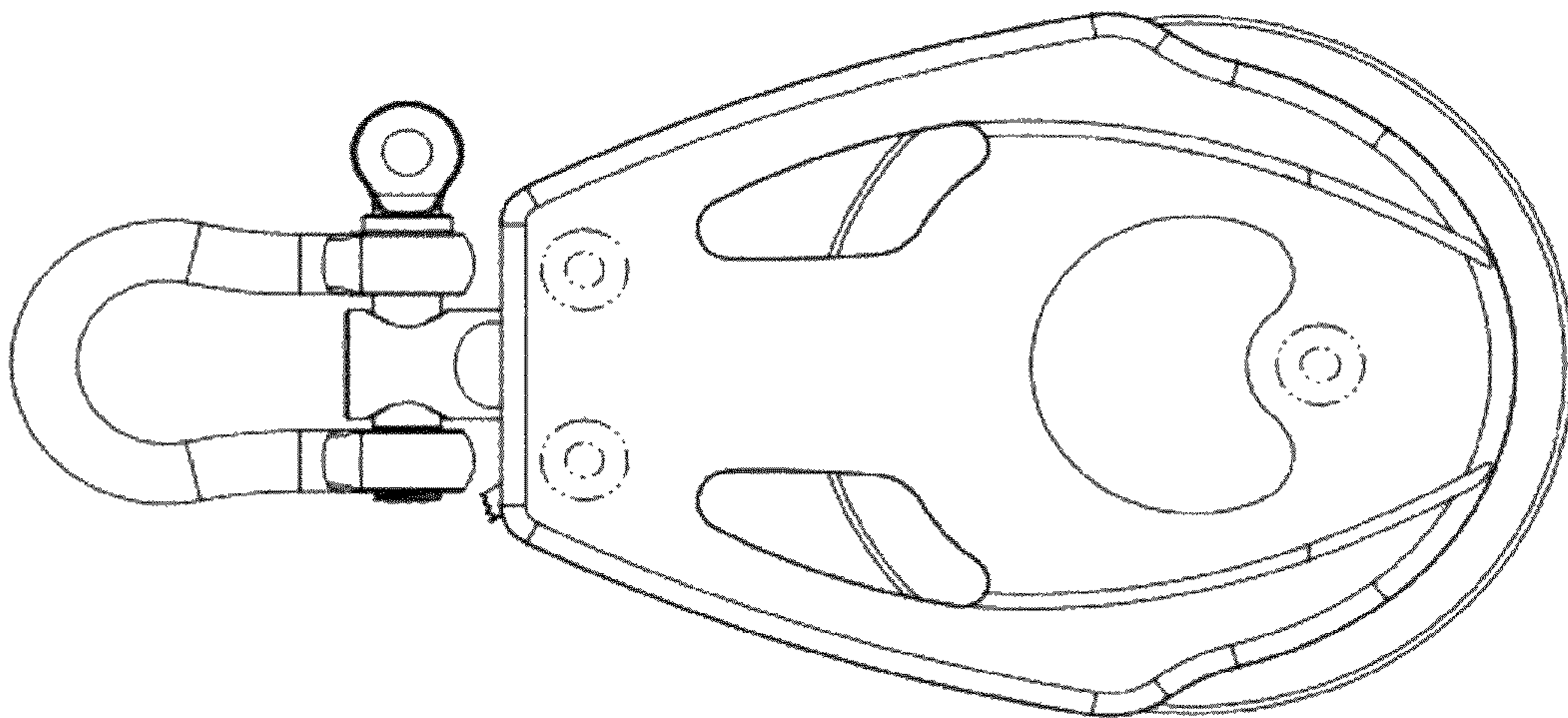


Fig. 3

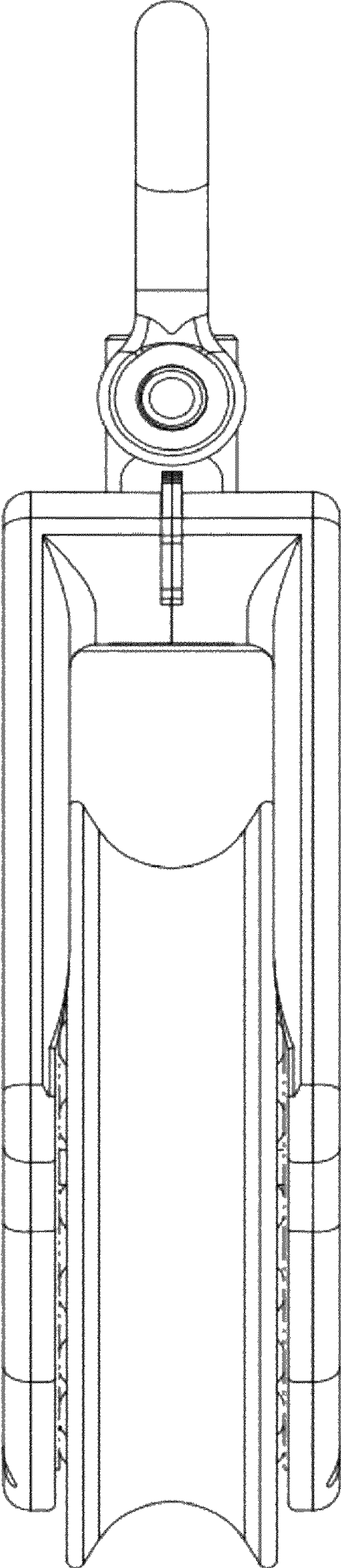


Fig. 4

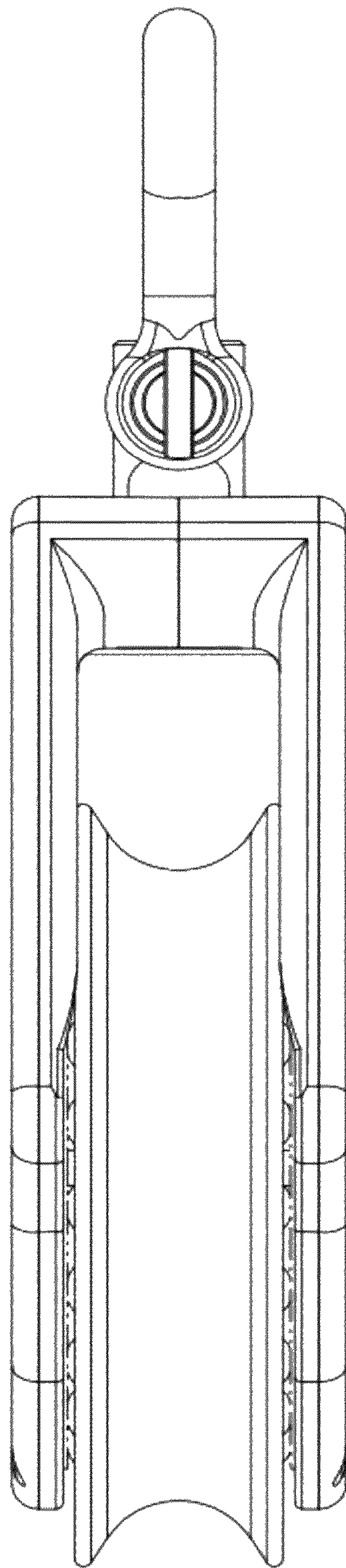


Fig. 5

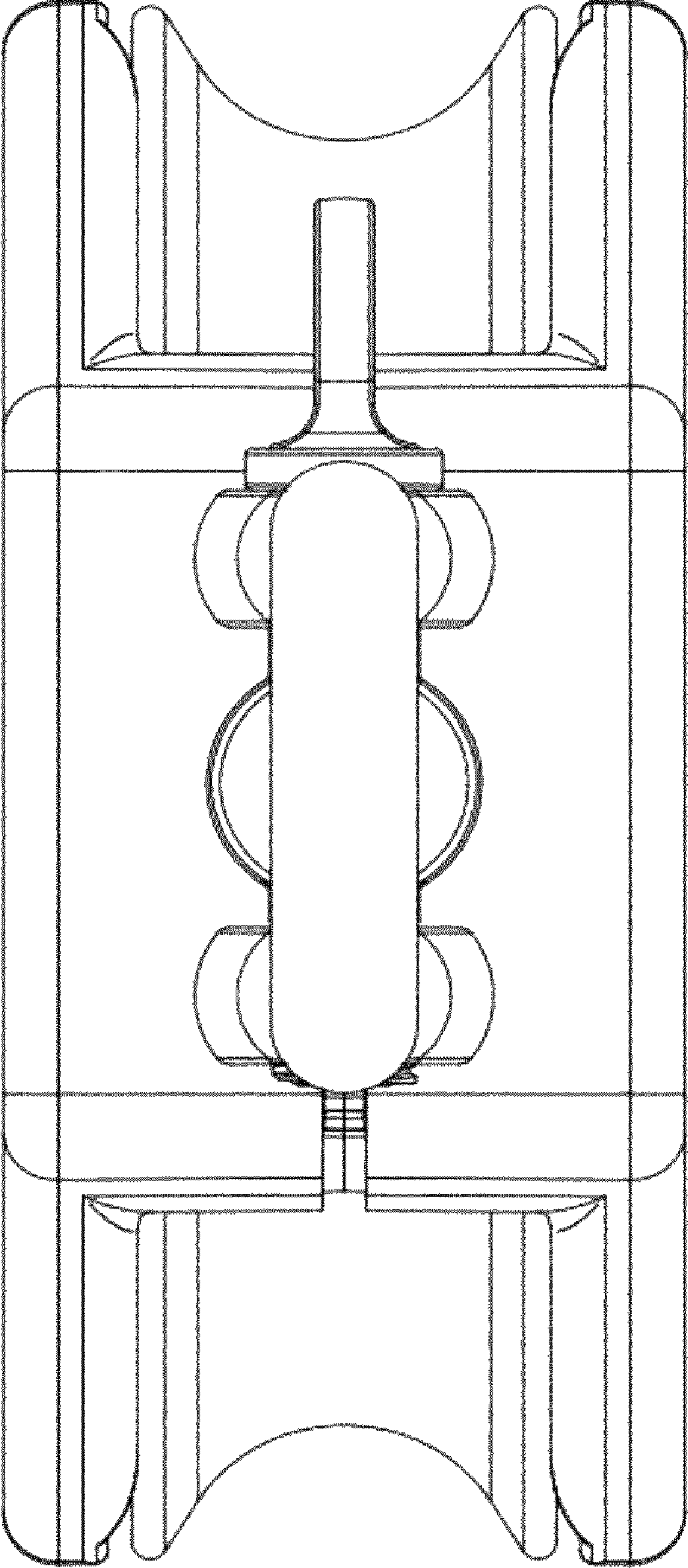


Fig. 6

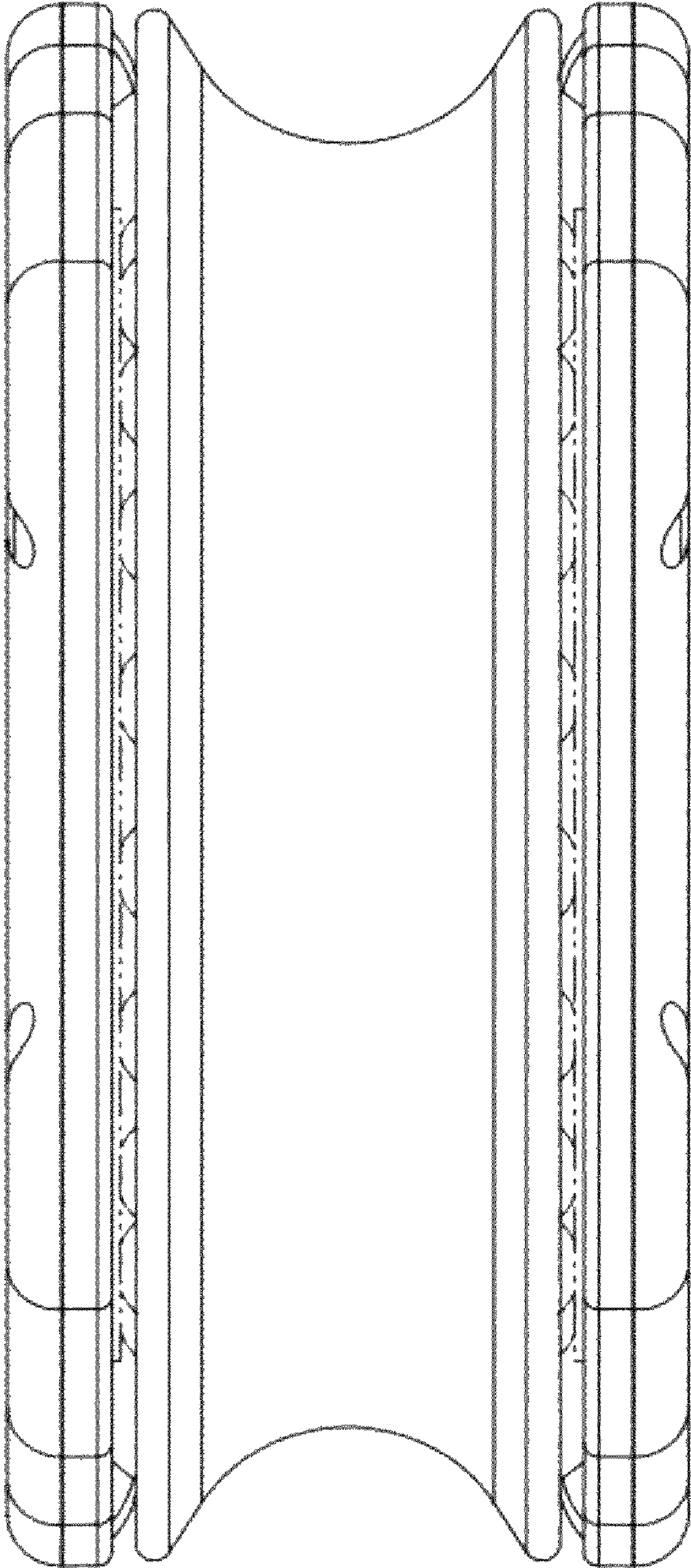


Fig. 7