



US00D658485S

(12) **United States Design Patent**
Wall

(10) **Patent No.:** **US D658,485 S**

(45) **Date of Patent:** **** May 1, 2012**

(54) **INSULATING RAIL TOP BRACKET**

(75) **Inventor:** **John R. Wall**, Carmichaels, PA (US)

(73) **Assignee:** **John Wall, Inc.**, Carmichaels, PA (US)

(**) **Term:** **14 Years**

(21) **Appl. No.:** **29/365,079**

(22) **Filed:** **Jul. 2, 2010**

(51) **LOC (9) Cl.** **08-08**

(52) **U.S. Cl.** **D8/354; D8/349; D8/382**

(58) **Field of Classification Search** D8/349,
D8/354, 356, 363, 364, 380-383, 394, 397,
D8/399, 395; D9/434, 499; 224/321; 256/65.06,
256/65.05, 65.04, 32, 59; D25/131, 133;
D6/553

See application file for complete search history.

(56) **References Cited**

U.S. PATENT DOCUMENTS

D25,785	S	*	7/1896	Corscaden	D8/381
736,147	A	*	8/1903	Peterson	256/50
3,005,623	A	*	10/1961	Kusel et al.	256/67
D240,013	S	*	5/1976	McKee	D8/354
4,143,859	A	*	3/1979	Tews	256/49
4,684,107	A	*	8/1987	Robbins, Jr.	256/19
RE32,707	E	*	7/1988	Robbins, Jr.	256/52
4,860,996	A	*	8/1989	Robbins, III	256/10
D333,786	S	*	3/1993	Carroll	D9/435
D346,735	S	*	5/1994	Glisch et al.	D8/367
D356,728	S	*	3/1995	Hansen	D8/373
5,456,396	A	*	10/1995	Allen	224/321
5,613,655	A	*	3/1997	Marion	248/68.1
5,660,505	A	*	8/1997	Emory, III	405/258.1
D383,966	S	*	9/1997	Zaccagni	D8/354
D414,398	S	*	9/1999	Benz et al.	D8/354
5,975,501	A	*	11/1999	Berg et al.	256/48
6,010,103	A	*	1/2000	Ashworth	248/301

D434,967	S	*	12/2000	Habeck et al.	D8/349
D449,993	S	*	11/2001	Schumann	D9/531
D457,418	S	*	5/2002	Ferrer Beltrán	D8/363
6,533,881	B1	*	3/2003	Wall	156/160
D474,104	S	*	5/2003	Spruill	D8/364
D482,601	S	*	11/2003	Chen	D8/380
D522,351	S	*	6/2006	Taylor et al.	D8/394
D530,599	S	*	10/2006	Martin	D8/395
D548,668	S	*	8/2007	Walton et al.	D12/317
D566,526	S	*	4/2008	Robbins et al.	D8/354
D598,730	S	*	8/2009	Luo et al.	D8/354
7,825,337	B2	*	11/2010	Young, IV	174/72 A
D642,621	S	*	8/2011	Keum et al.	D19/56

OTHER PUBLICATIONS

Prior Art Insulating Rail Brackets.
Prior Art Insulating Rail Bracket, Belebros USA, Inc.
Prior Art Two-Piece Insulating Rail Bracket, Centaur HTP Fencing Systems.

* cited by examiner

Primary Examiner — Jeffrey D Asch

(74) *Attorney, Agent, or Firm* — The Webb Law Firm, PC

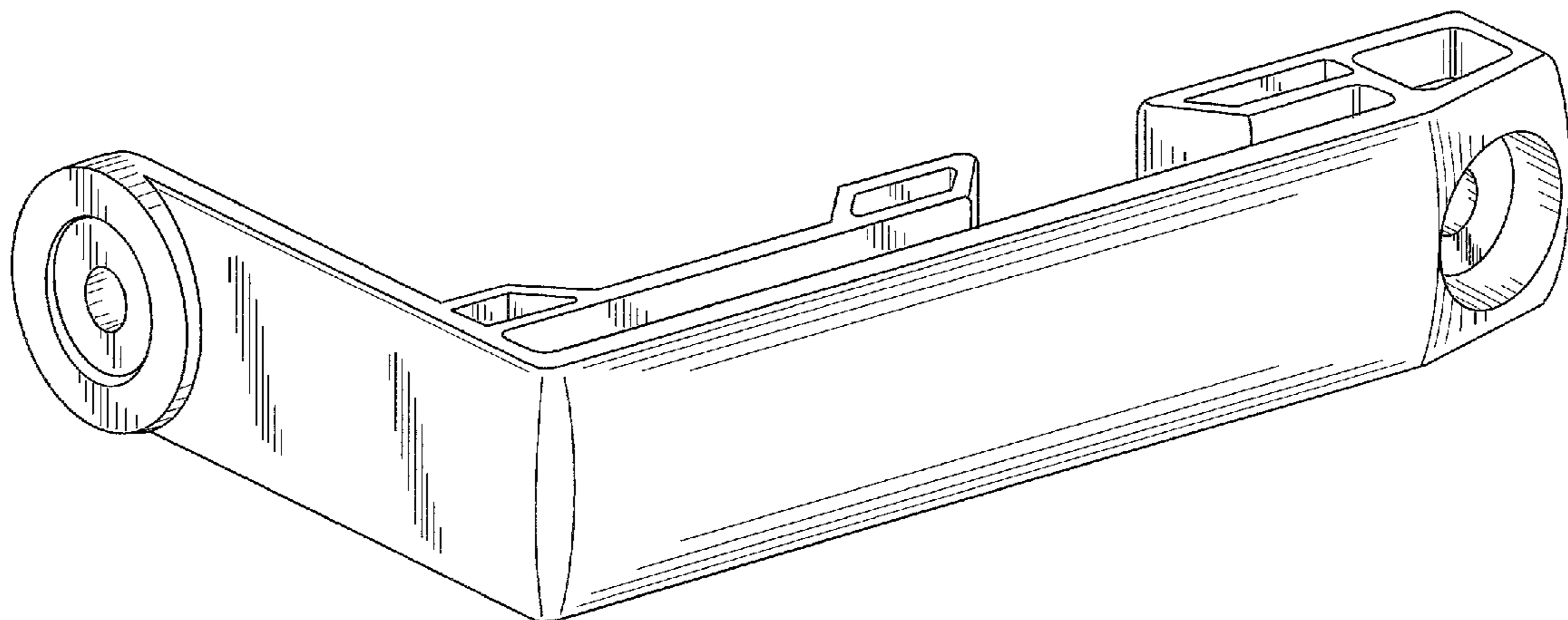
(57) **CLAIM**

The ornamental design for an insulating rail top bracket, as shown and described.

DESCRIPTION

FIG. 1 is a front perspective view of an insulating rail top bracket showing my new design;
FIG. 2 is rear perspective view thereof;
FIG. 3 is a front view thereof,
FIG. 4 is a rear view thereof;
FIG. 5 is a right side view thereof;
FIG. 6 is a left side view thereof;
FIG. 7 is bottom view thereof; and,
FIG. 8 is a top view thereof.

1 Claim, 6 Drawing Sheets



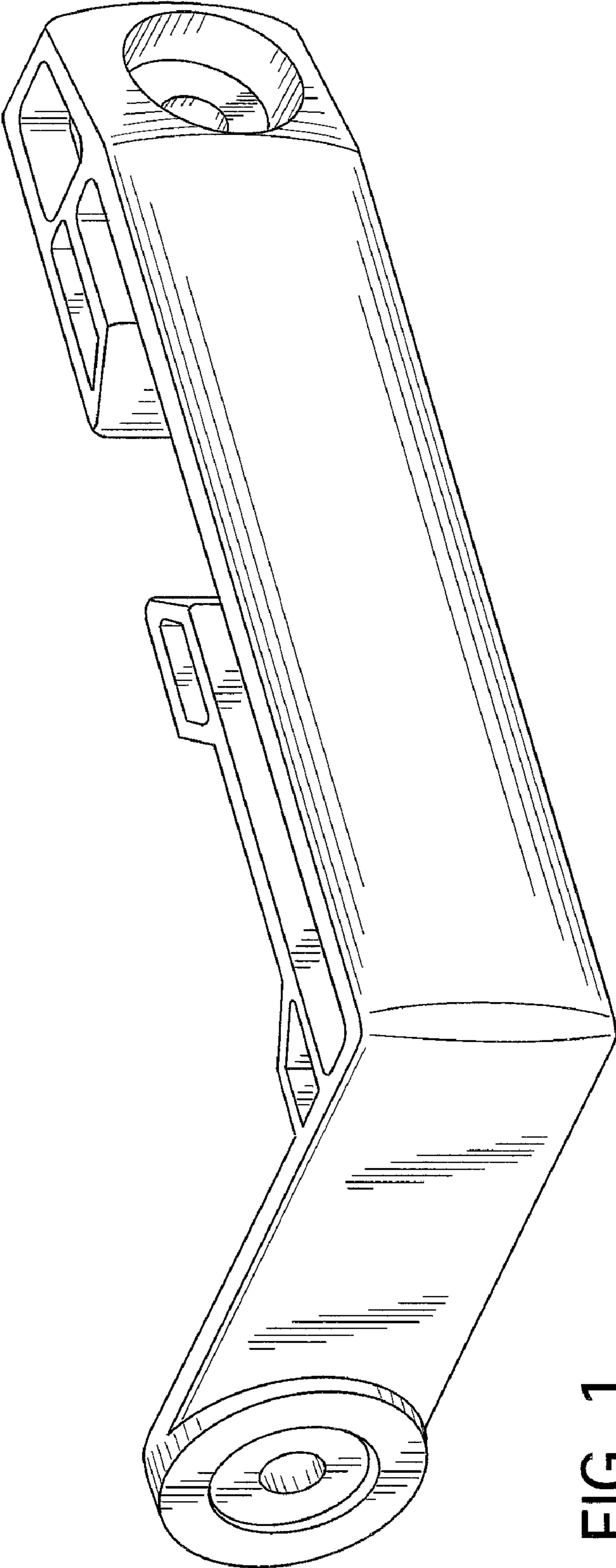


FIG. 1

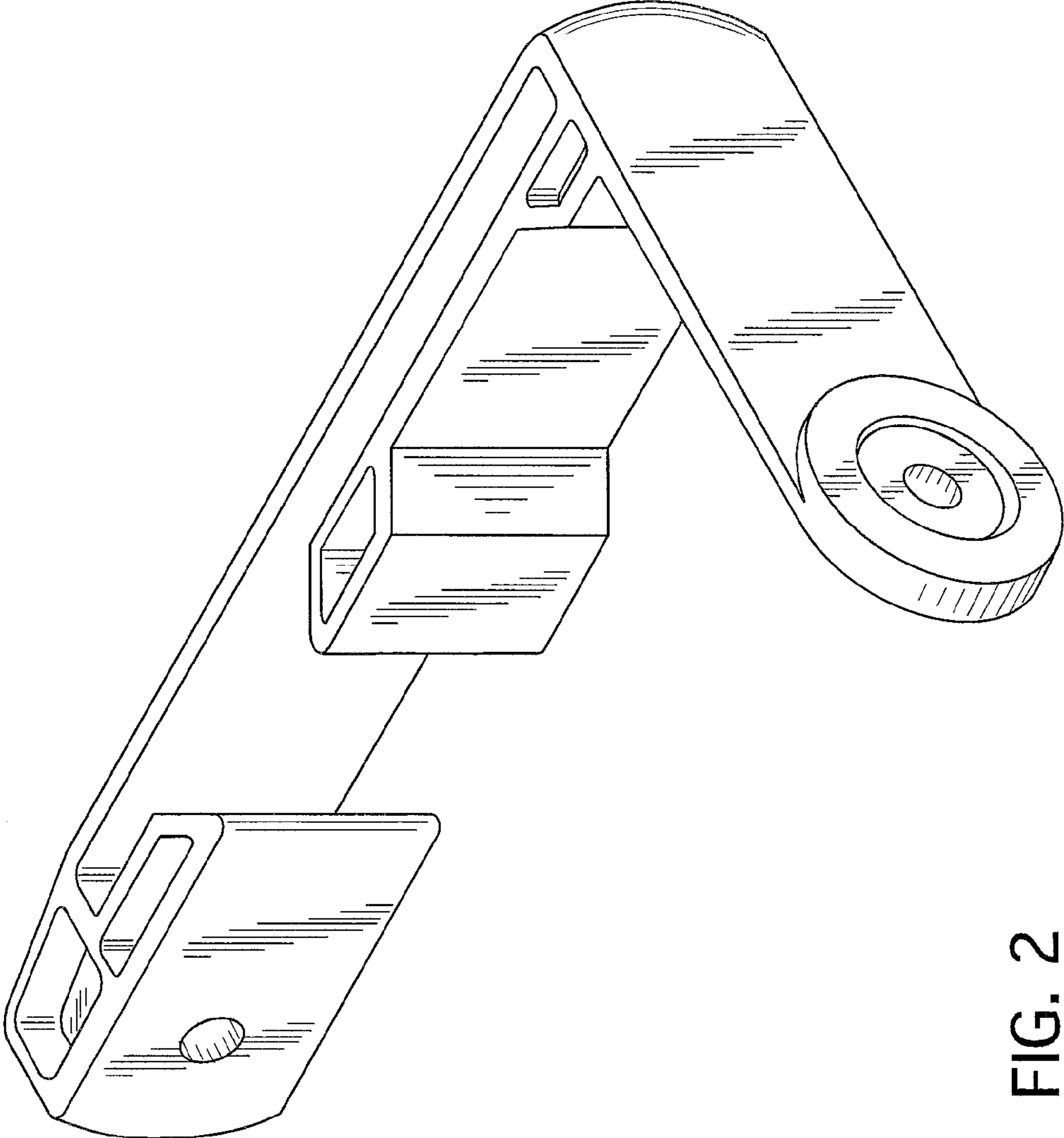


FIG. 2

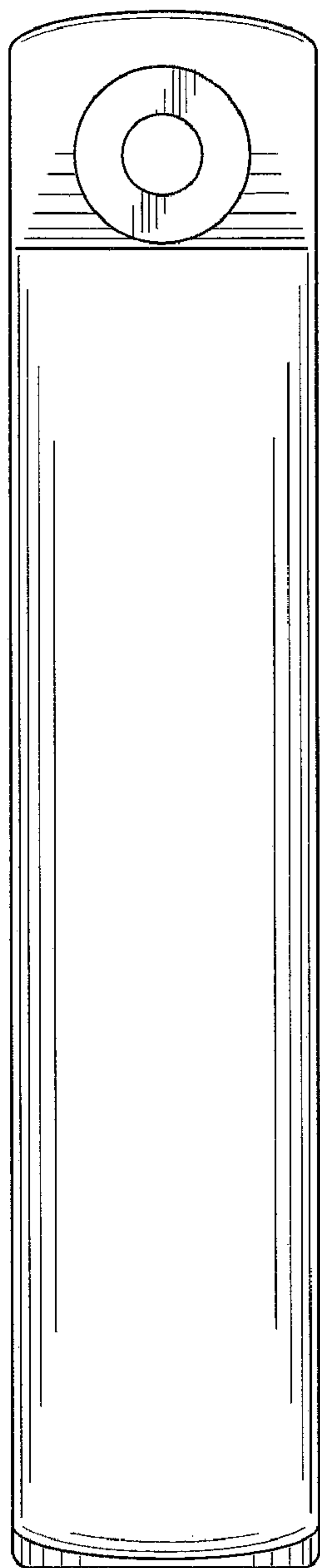


FIG. 3

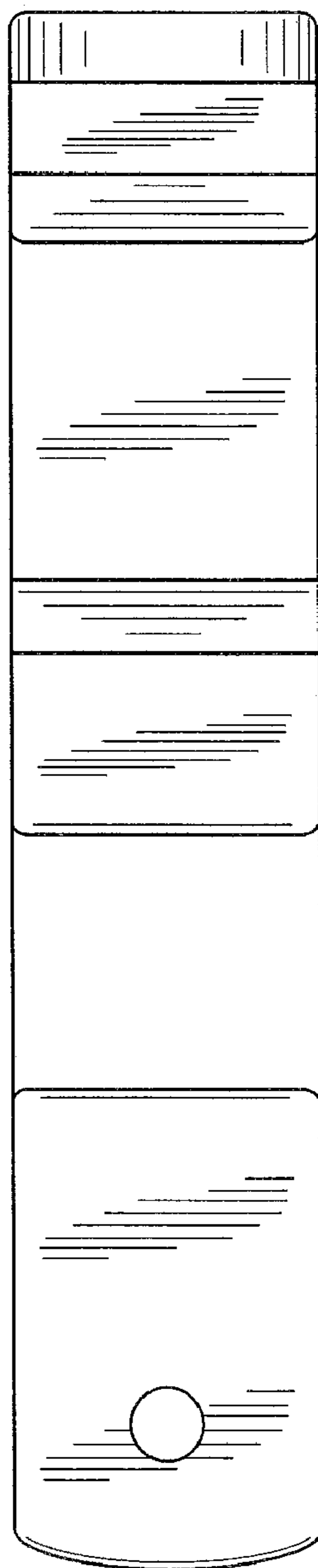


FIG. 4

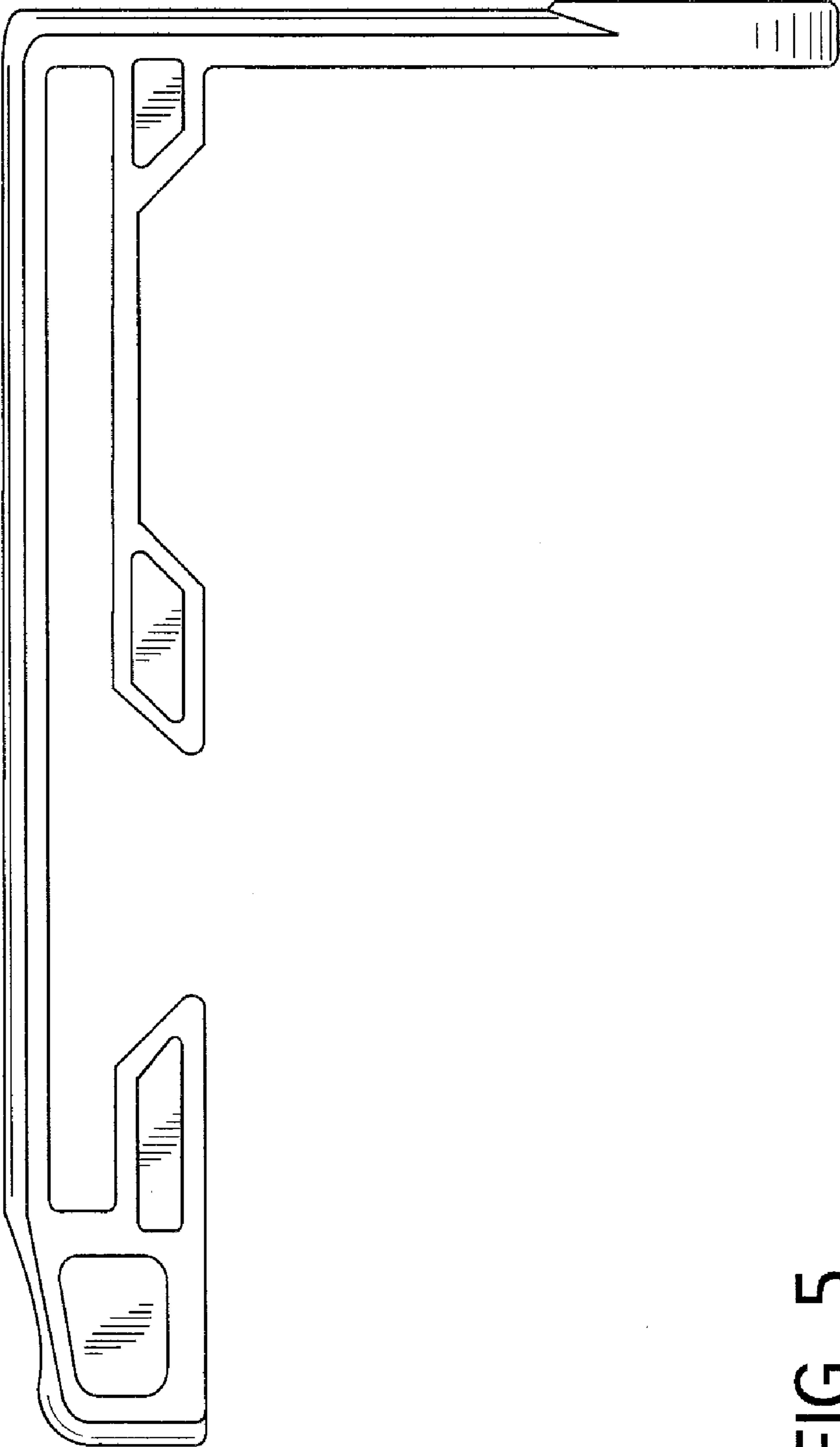


FIG. 5

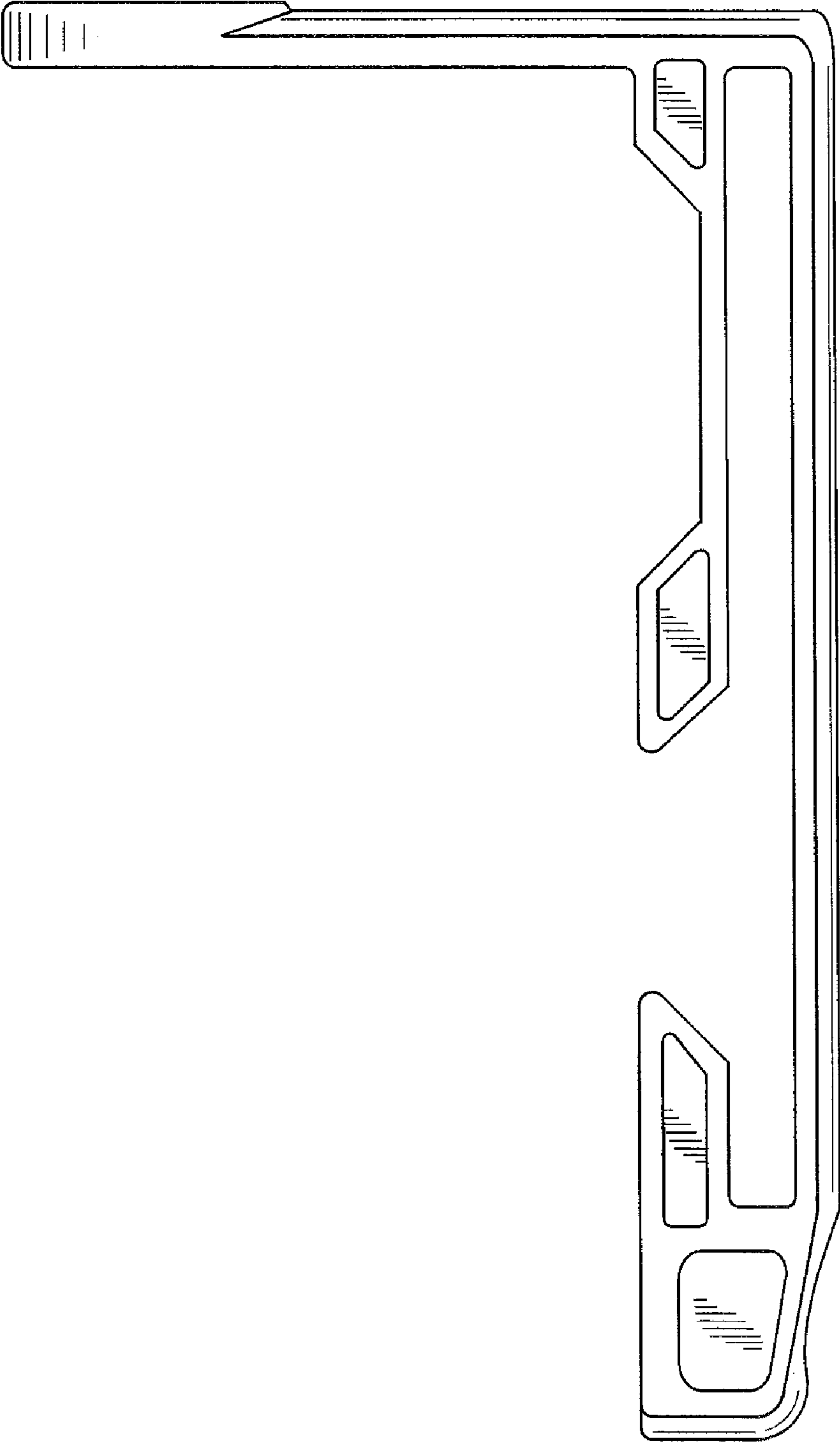


FIG. 6

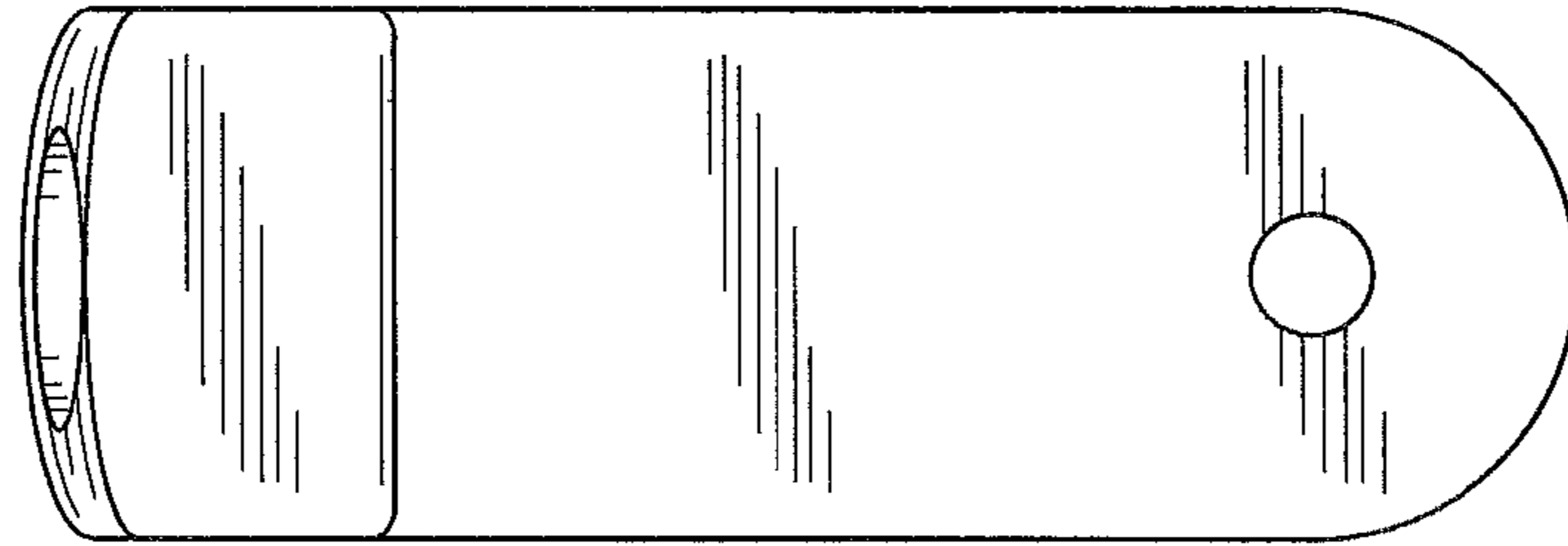


FIG. 7

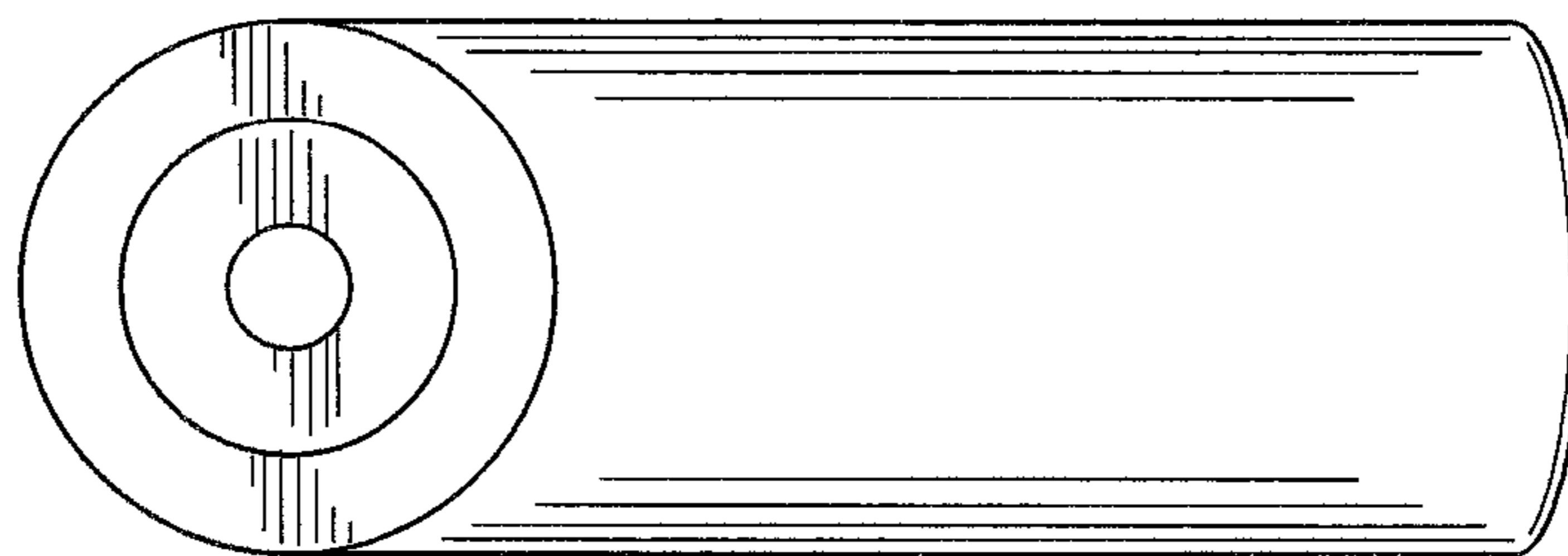


FIG. 8