



US00D658479S

(12) **United States Design Patent**  
**Eason**

(10) **Patent No.:** **US D658,479 S**

(45) **Date of Patent:** **\*\* May 1, 2012**

(54) **FLOWER POT ANCHOR**

(76) Inventor: **Ricky N. Eason**, Waxhaw, NC (US)

(\*\*) Term: **14 Years**

(21) Appl. No.: **29/364,562**

(22) Filed: **Jun. 25, 2010**

(51) **LOC (9) Cl.** ..... **08-08**

(52) **U.S. Cl.** ..... **D8/349; D8/382; D11/164**

(58) **Field of Classification Search** ..... D8/349,  
D8/354, 356, 363, 364, 380-383, 394, 397,  
D8/399, 395, 1, 398; D11/164; 47/39, 47,  
47/66.7; 248/154

See application file for complete search history.

(56) **References Cited**

**U.S. PATENT DOCUMENTS**

196,396	A *	10/1877	Sprague	248/154
239,674	A *	4/1881	Sands	248/154
579,295	A *	3/1897	Delzell	47/73
703,551	A *	7/1902	Crow	248/154
1,228,813	A *	6/1917	Osley	248/154
1,421,327	A *	6/1922	Waters	47/41.01
2,399,498	A *	4/1946	Messick	248/154
2,513,461	A *	7/1950	Duncan, Jr.	248/154
2,959,387	A *	11/1960	Ficek	248/149
3,066,447	A	12/1962	Reiterer et al.	
3,249,329	A *	5/1966	Currier	410/46
3,324,591	A *	6/1967	Bergstein	47/78
4,071,976	A	2/1978	Chernewski	
4,422,610	A	12/1983	Hunt	
4,831,798	A *	5/1989	Otteson	52/153
D316,839	S *	5/1991	Nowicki	D11/164
5,320,319	A	6/1994	Winger et al.	

5,358,209	A *	10/1994	Ward	248/545
D359,888	S *	7/1995	Bayly	D8/1
D373,623	S *	9/1996	Mathison	D23/260
D380,947	S *	7/1997	Adams	D8/1
5,836,105	A *	11/1998	Loosen	47/39
D506,160	S *	6/2005	Lambert	D11/148
7,013,598	B2 *	3/2006	Powless	47/39
D550,072	S	9/2007	Ardern	
7,302,904	B2	12/2007	Burns	
7,322,549	B2 *	1/2008	Luna-Keaton	248/154
D618,536	S *	6/2010	Eason	D8/349
2004/0007653	A1	1/2004	Zesk	
2010/0044530	A1 *	2/2010	Arcuri	248/156

\* cited by examiner

*Primary Examiner* — Jeffrey D Asch

(74) *Attorney, Agent, or Firm* — Montgomery Patent & Design, LLC; Robert C. Montgomery; Joseph T. Yaksich

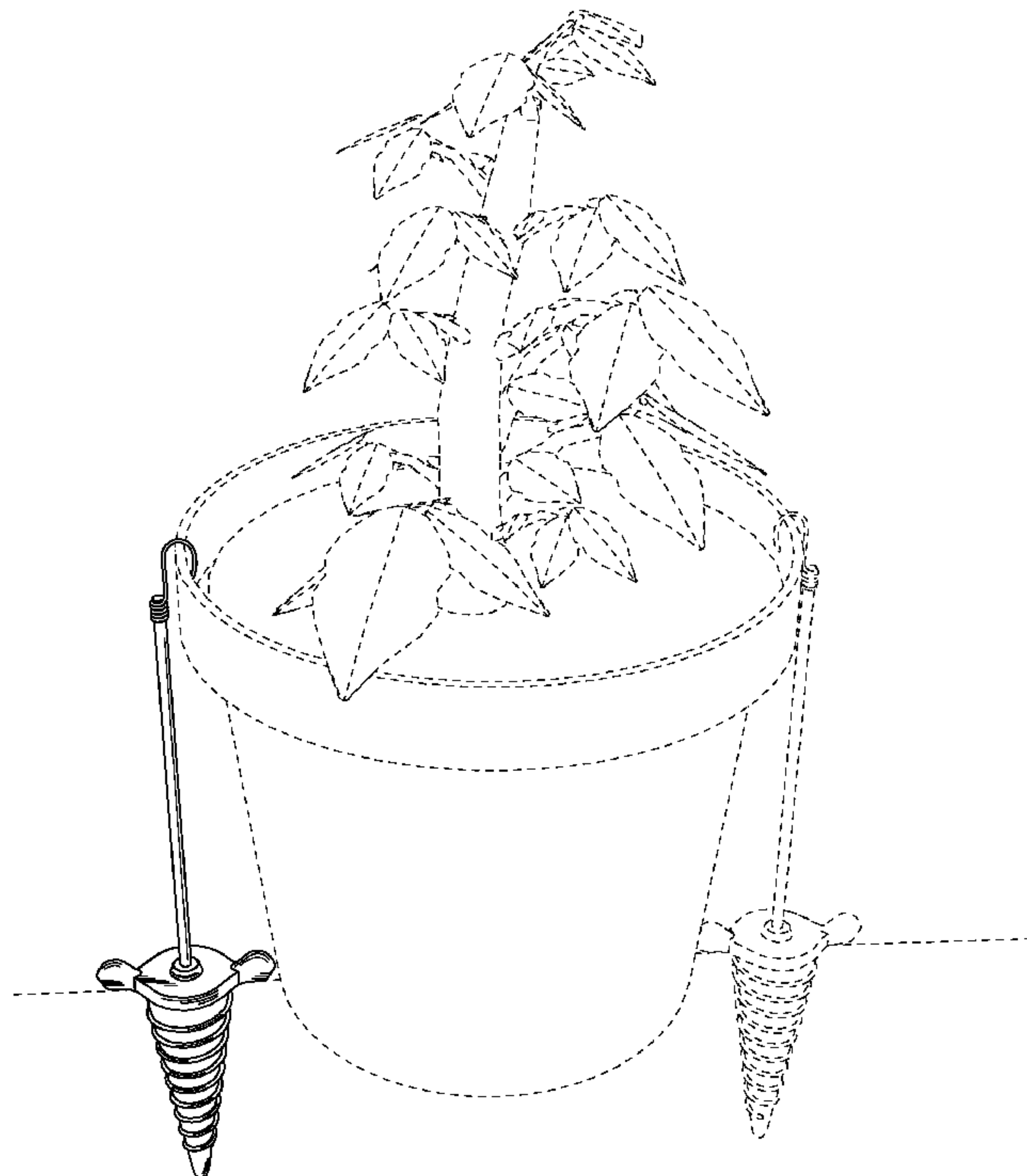
(57) **CLAIM**

The ornamental design for a flower pot anchor, as shown and described.

**DESCRIPTION**

FIG. 1 is a perspective view, including environment, of a flower pot anchor showing my new design; FIG. 2 is a front view of the flower pot anchor of FIG. 1; FIG. 3 is a rear view thereof; FIG. 4 is a left side view thereof; FIG. 5 is a right side view thereof; FIG. 6 is a top view thereof; and, FIG. 7 is a bottom view thereof. The broken lines are for illustrative purposes only and forms no part of the claimed design.

**1 Claim, 6 Drawing Sheets**



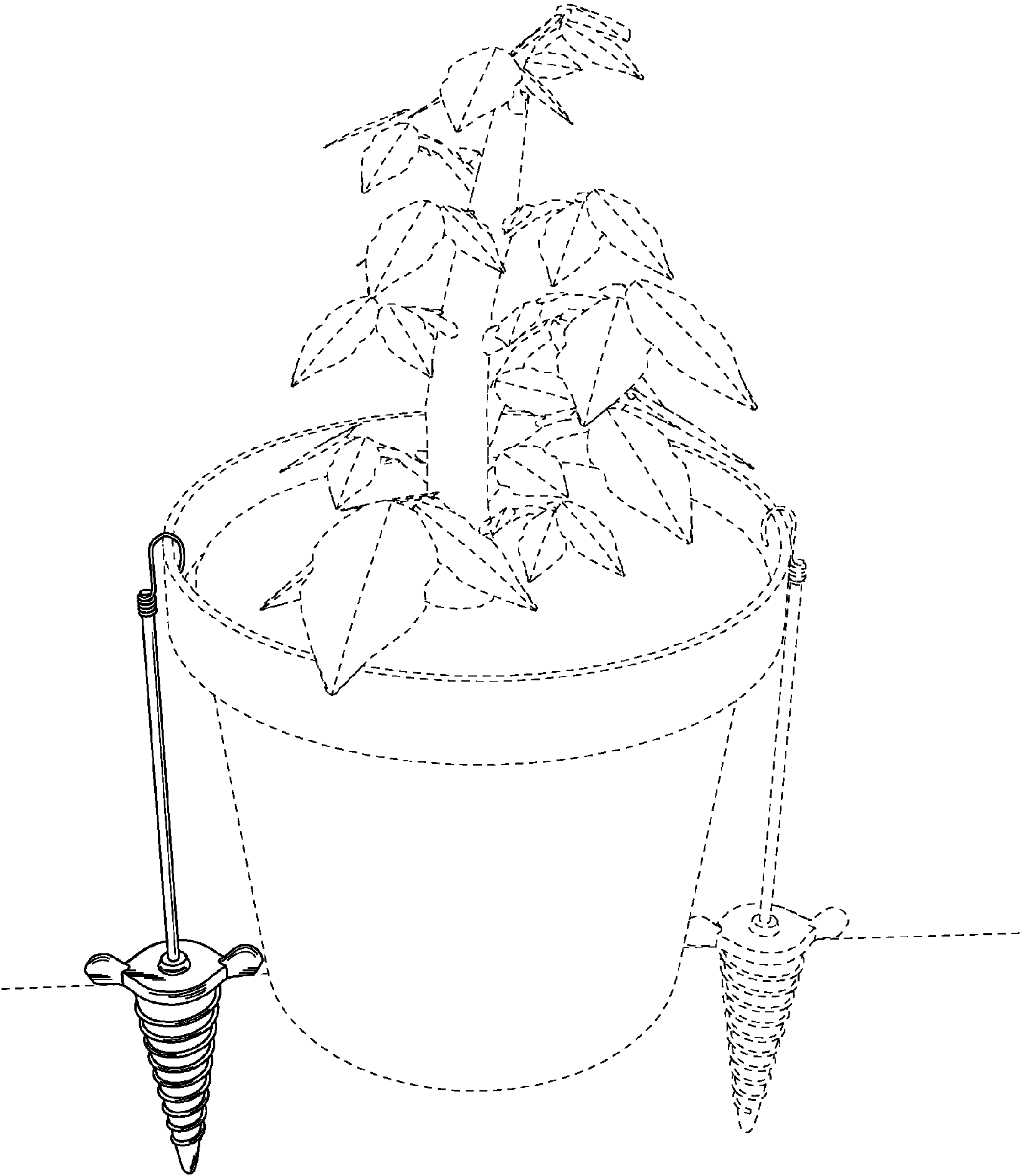


Fig. 1

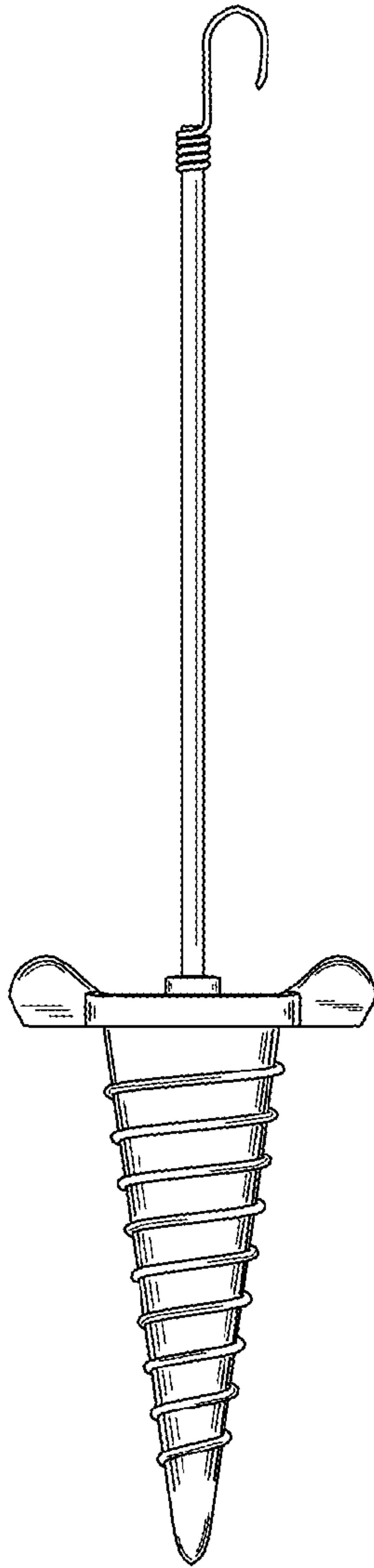


Fig. 2

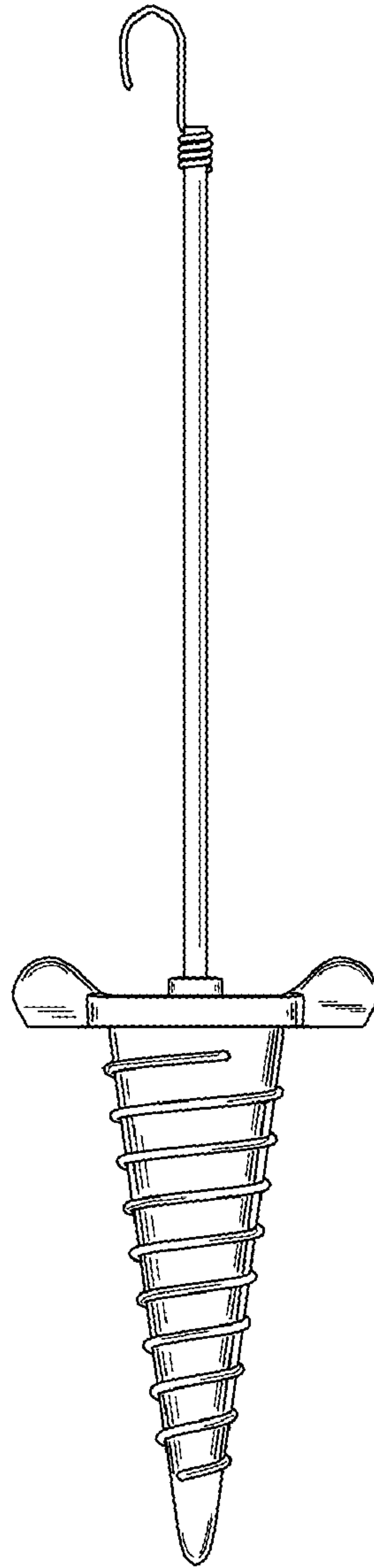


Fig. 3

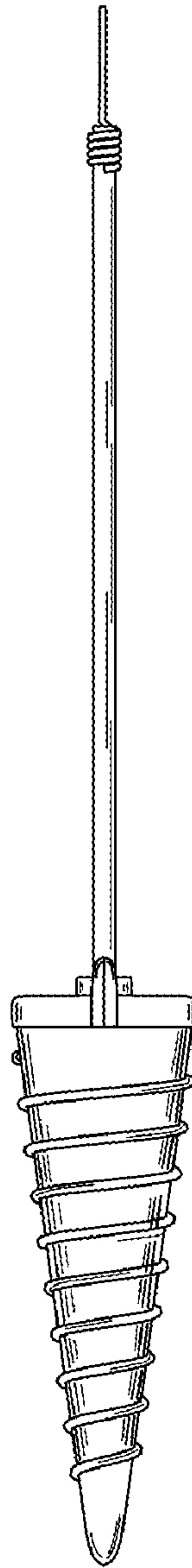


Fig. 4

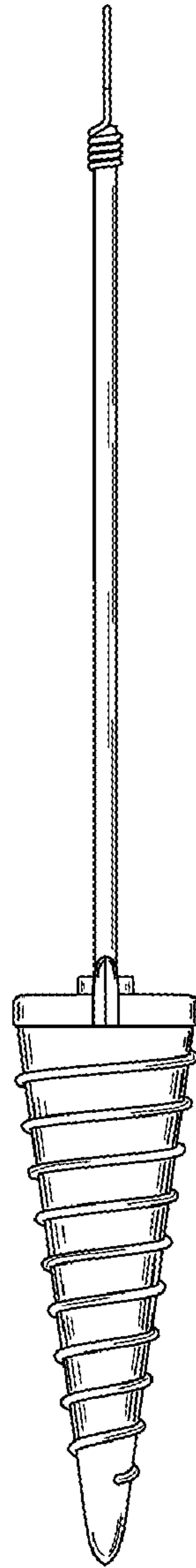


Fig. 5

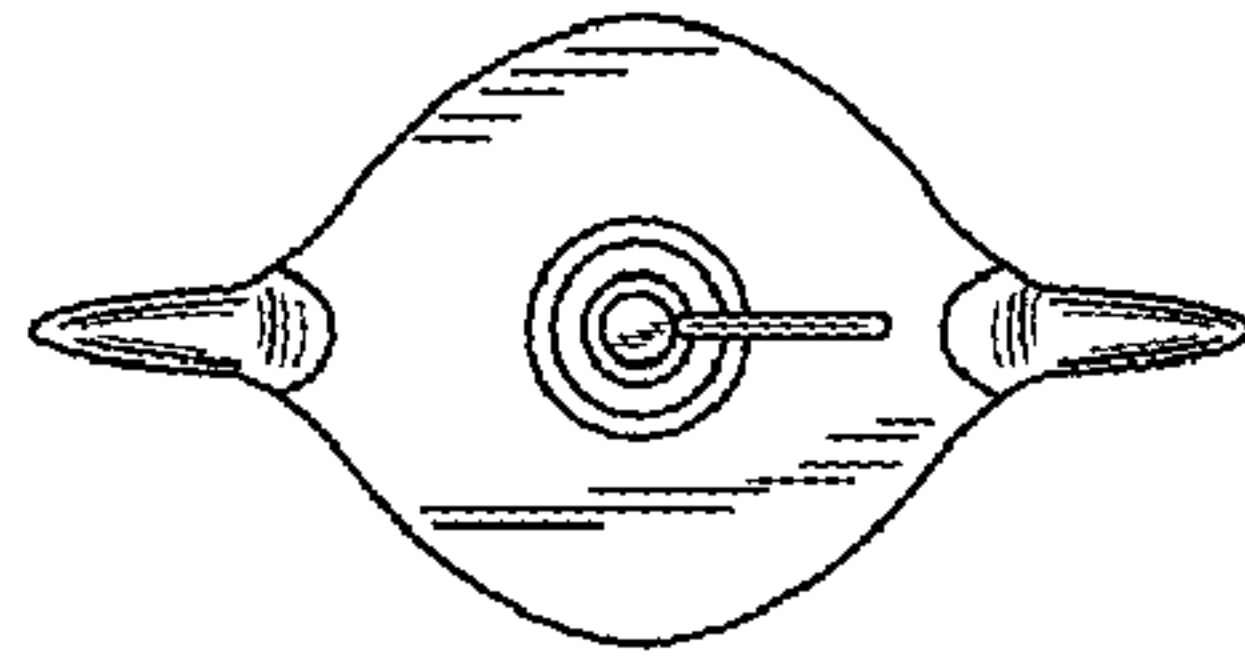


Fig. 6

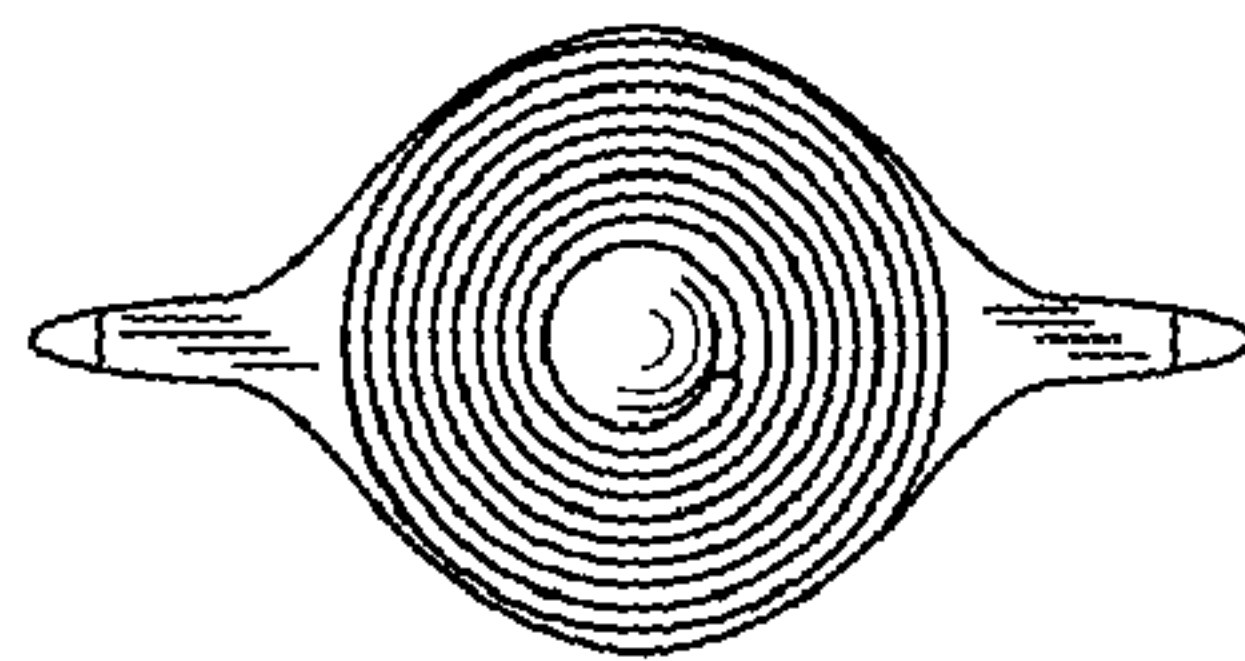


Fig. 7