



US00D658474S

(12) **United States Design Patent**
van der Lande

(10) **Patent No.:** **US D658,474 S**

(45) **Date of Patent:** **** May 1, 2012**

(54) **GUITAR-SHAPED KEY CAP**

(75) Inventor: **Jan van der Lande**, New York, NY (US)

(73) Assignee: **Kikkerland Design Inc.**, New York, NY (US)

(**) Term: **14 Years**

(21) Appl. No.: **29/397,863**

(22) Filed: **Jul. 21, 2011**

(51) **LOC (9) Cl.** **08-07**

(52) **U.S. Cl.** **D8/348**

(58) **Field of Classification Search** D8/347,
D8/348; 70/271, 278.2, 336, 344-348, 357,
70/382, 393, 429, 469, 448; 84/173, 209,
84/298, 307; D17/14, 20, 21

See application file for complete search history.

(56) **References Cited**

U.S. PATENT DOCUMENTS

2,824,478	A *	2/1958	Shultz	84/267
2,903,935	A *	9/1959	Raze	84/318
4,974,486	A *	12/1990	Wallace	84/609
6,473,022	B1 *	10/2002	Wu	341/176
7,435,178	B1 *	10/2008	Tam et al.	463/38
D586,646	S *	2/2009	Rand	D8/348

D607,710	S *	1/2010	Rand	D8/348
D613,148	S *	4/2010	Rand	D8/348
D622,577	S *	8/2010	Rand	D8/347
D632,947	S *	2/2011	Rand	D8/348
D633,370	S *	3/2011	Rand	D8/348

* cited by examiner

Primary Examiner — Prabhakar Deshmukh

(74) *Attorney, Agent, or Firm* — Cascio & Zervas

(57) **CLAIM**

The ornamental design for a guitar-shaped key cap, as shown and described.

DESCRIPTION

FIG. 1 is a front elevational view of the guitar-shaped key cap showing my design;

FIG. 2 is a rear elevational view thereof;

FIG. 3 is a top plan view thereof;

FIG. 4 is a bottom plan view thereof;

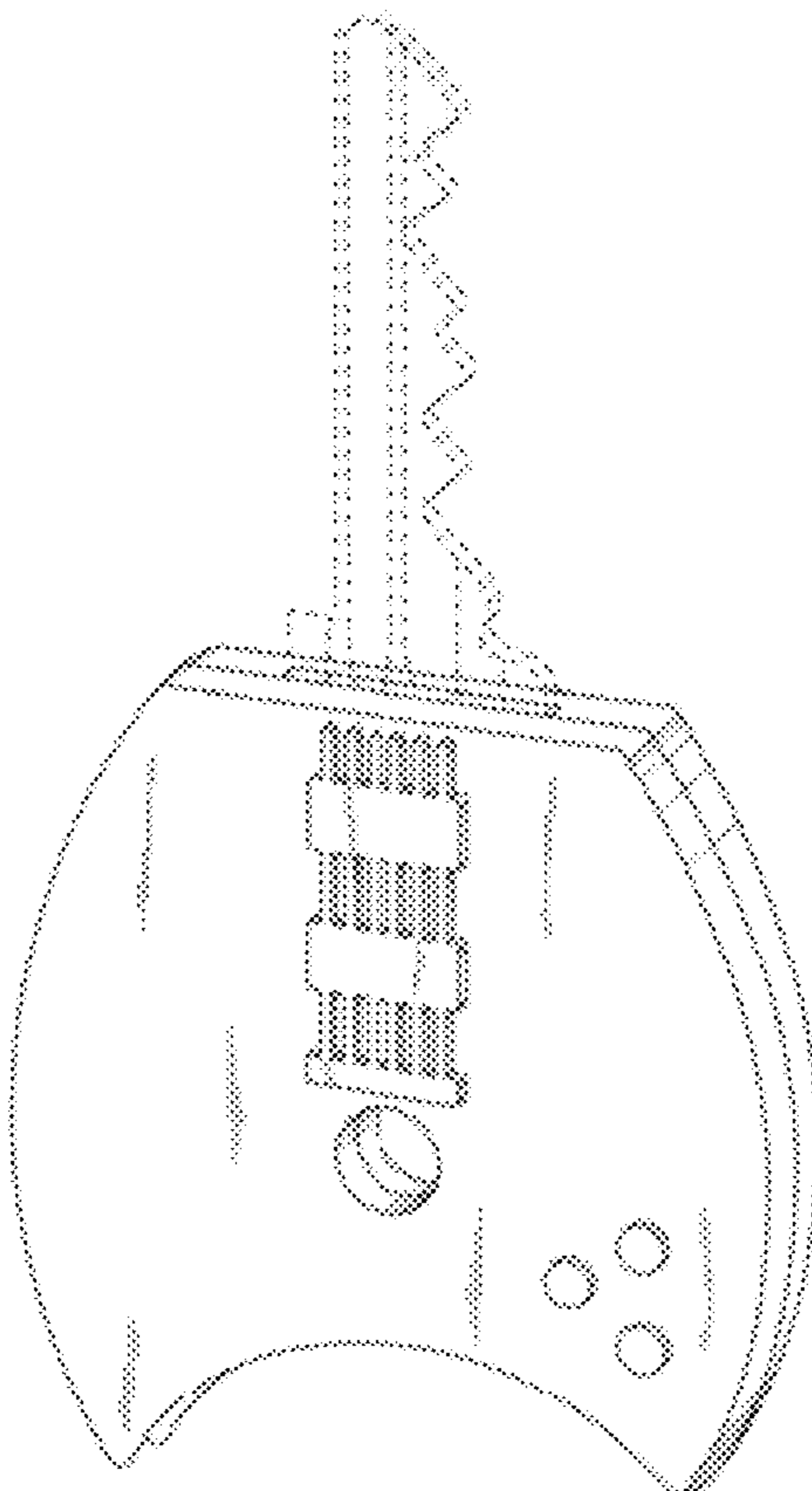
FIG. 5 is a left side elevational view thereof;

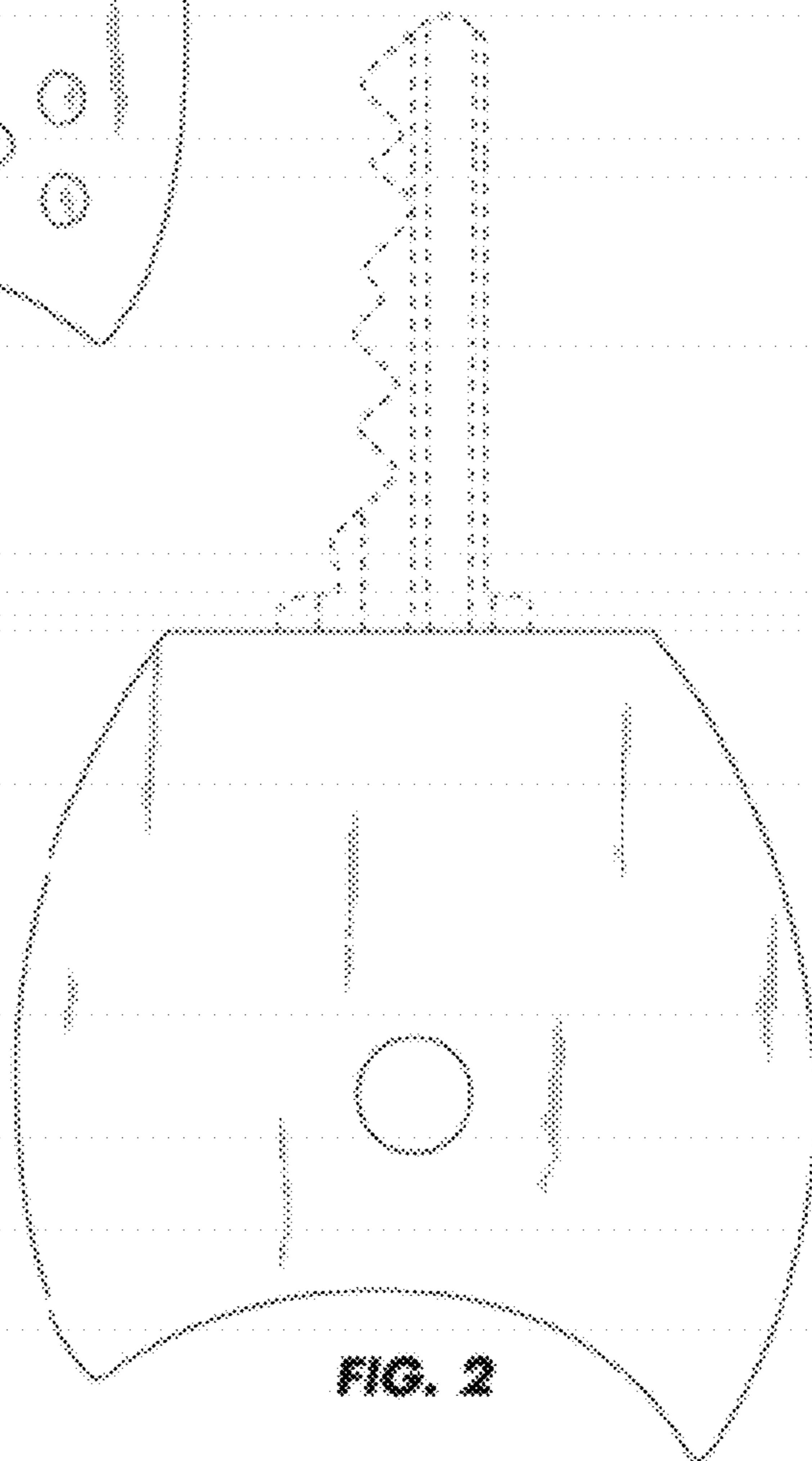
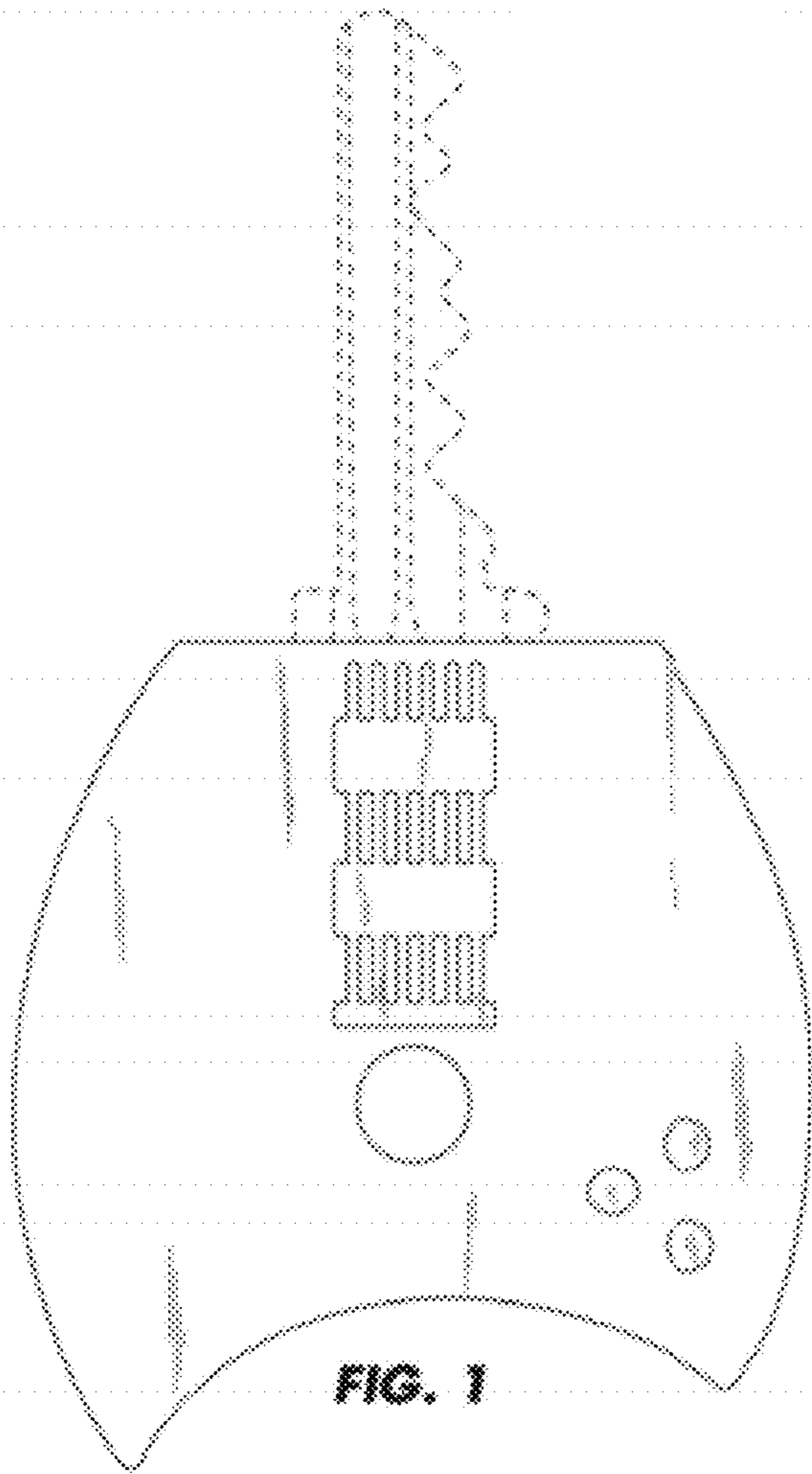
FIG. 6 is a right side elevational view thereof; and,

FIG. 7 is a front perspective view thereof.

The broken lines in the Figures showing a key are for illustration purposes only and form no part of the claimed design.

1 Claim, 3 Drawing Sheets





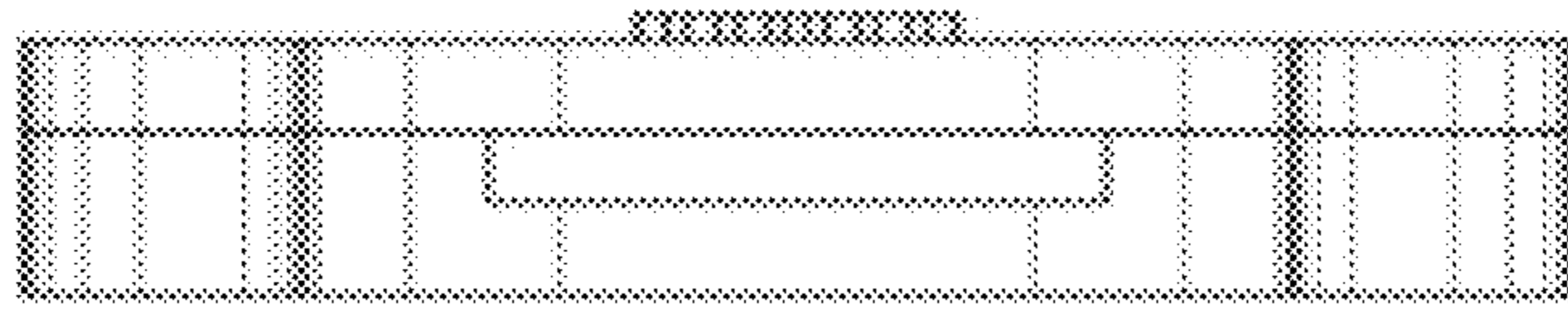


FIG. 3

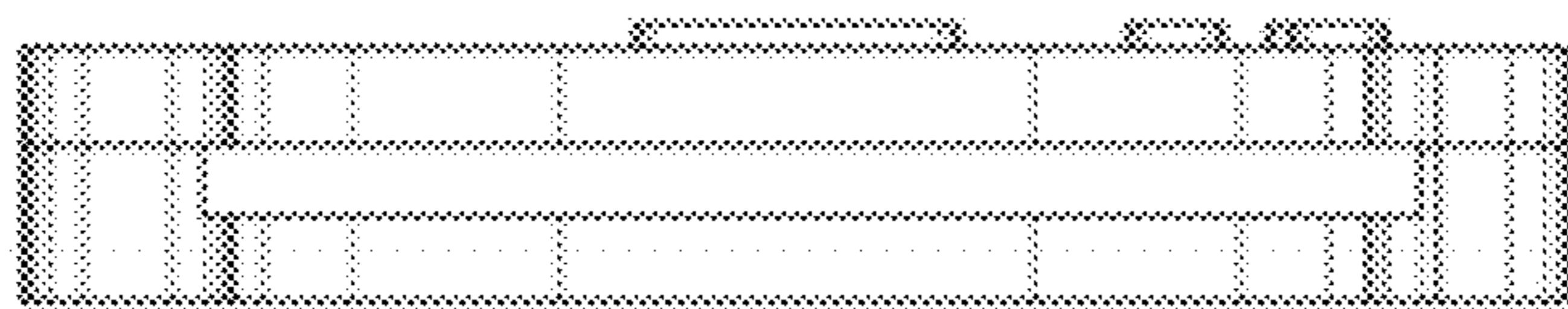


FIG. 4

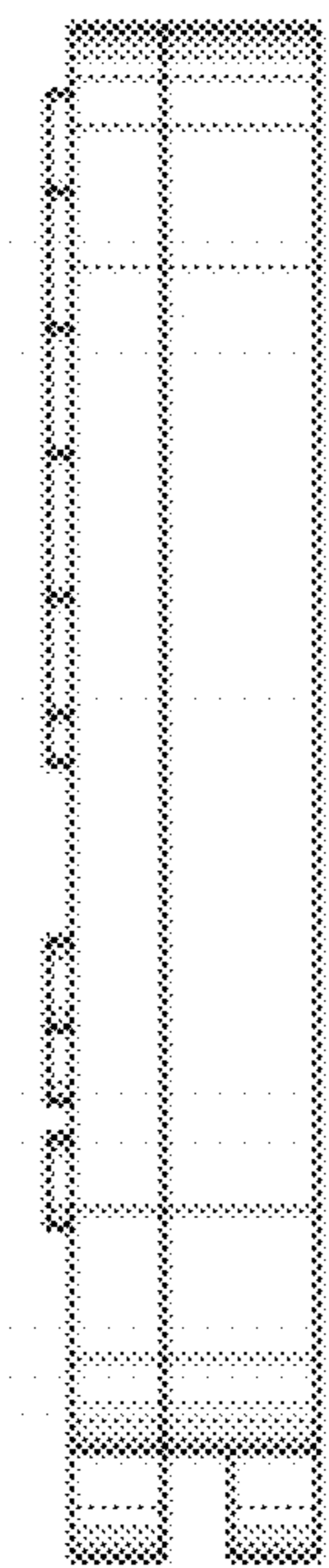


FIG. 5

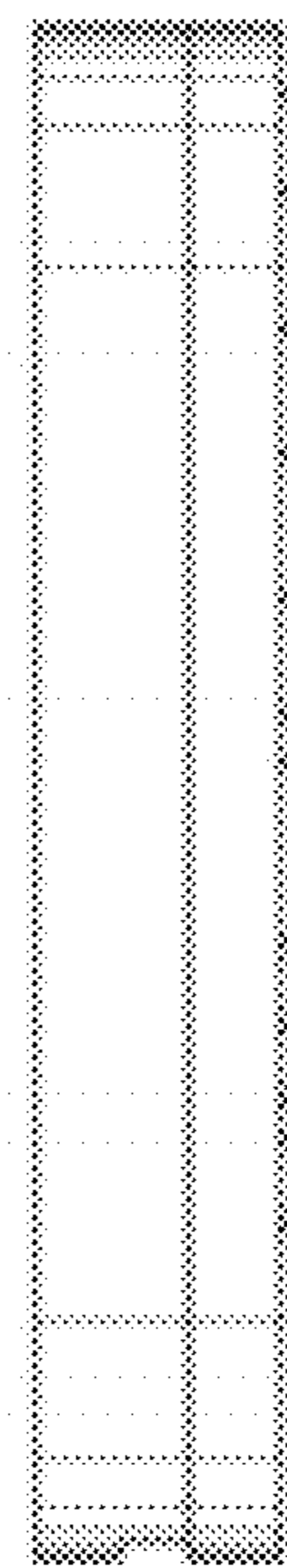


FIG. 6

