



US00D658471S

(12) **United States Design Patent**  
**van der Lande**

(10) **Patent No.:** **US D658,471 S**

(45) **Date of Patent:** **\*\* May 1, 2012**

(54) **BIRD-SHAPED KEY CAP**

(75) Inventor: **Jan van der Lande**, New York, NY (US)

(73) Assignee: **Kikkerland Design, Inc.**, New York, NY (US)

(\*\*) Term: **14 Years**

(21) Appl. No.: **29/396,845**

(22) Filed: **Jul. 7, 2011**

(51) **LOC (9) Cl.** ..... **08-07**

(52) **U.S. Cl.** ..... **D8/348**

(58) **Field of Classification Search** ..... D8/347,  
D8/348; 70/271, 278.2, 336, 344-348, 357,  
70/382, 393, 429, 469, 448

See application file for complete search history.

(56) **References Cited**

**U.S. PATENT DOCUMENTS**

1,794,498	A *	3/1931	Ridgway	.....	40/330
2,529,815	A *	11/1950	Rothe	.....	40/330
D190,598	S *	6/1961	Manzardo	.....	D8/348
D225,301	S *	12/1972	Uliano	.....	D8/348
5,577,403	A *	11/1996	Steeley	.....	70/456 R
D397,027	S *	8/1998	Brown	.....	D8/348

D492,186	S *	6/2004	Howard	.....	D8/347
7,036,950	B1 *	5/2006	Freeman et al.	.....	362/100
7,360,383	B1 *	4/2008	Chang	.....	70/395
D632,543	S *	2/2011	Liu	.....	D8/348
D648,207	S *	11/2011	Johnson	.....	D8/347

\* cited by examiner

*Primary Examiner* — Prabhakar Deshmukh

(74) *Attorney, Agent, or Firm* — Cascio & Zervas

(57) **CLAIM**

The ornamental design for a bird-shaped key cap, as shown and described.

**DESCRIPTION**

FIG. 1 is a front elevational view of the bird-shaped key cap showing my design;

FIG. 2 is a rear elevational view thereof;

FIG. 3 is a top plan view thereof;

FIG. 4 is a bottom plan view thereof;

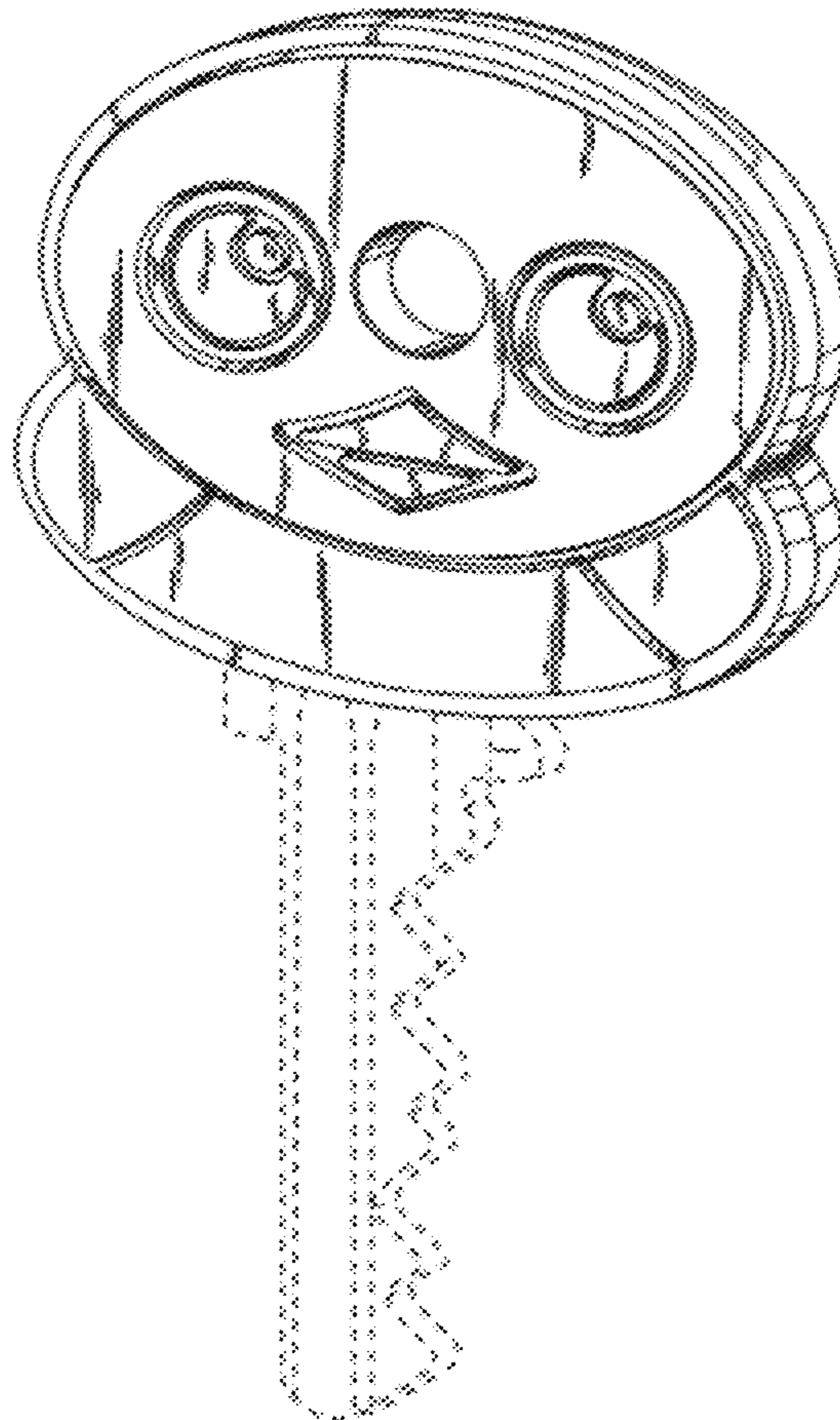
FIG. 5 is a right side elevational view thereof;

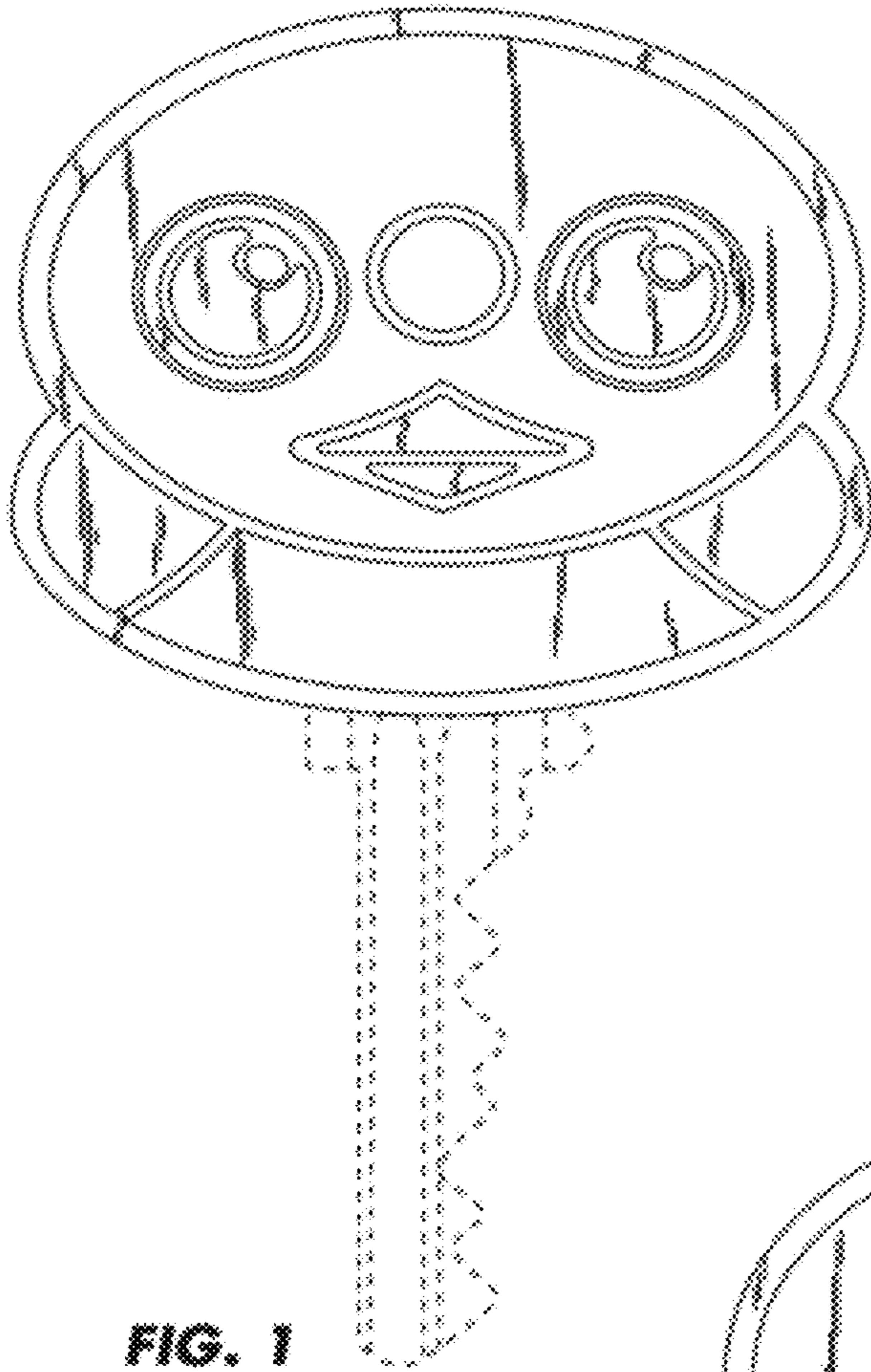
FIG. 6 is a left side elevational view thereof; and,

FIG. 7 is a front perspective view thereof.

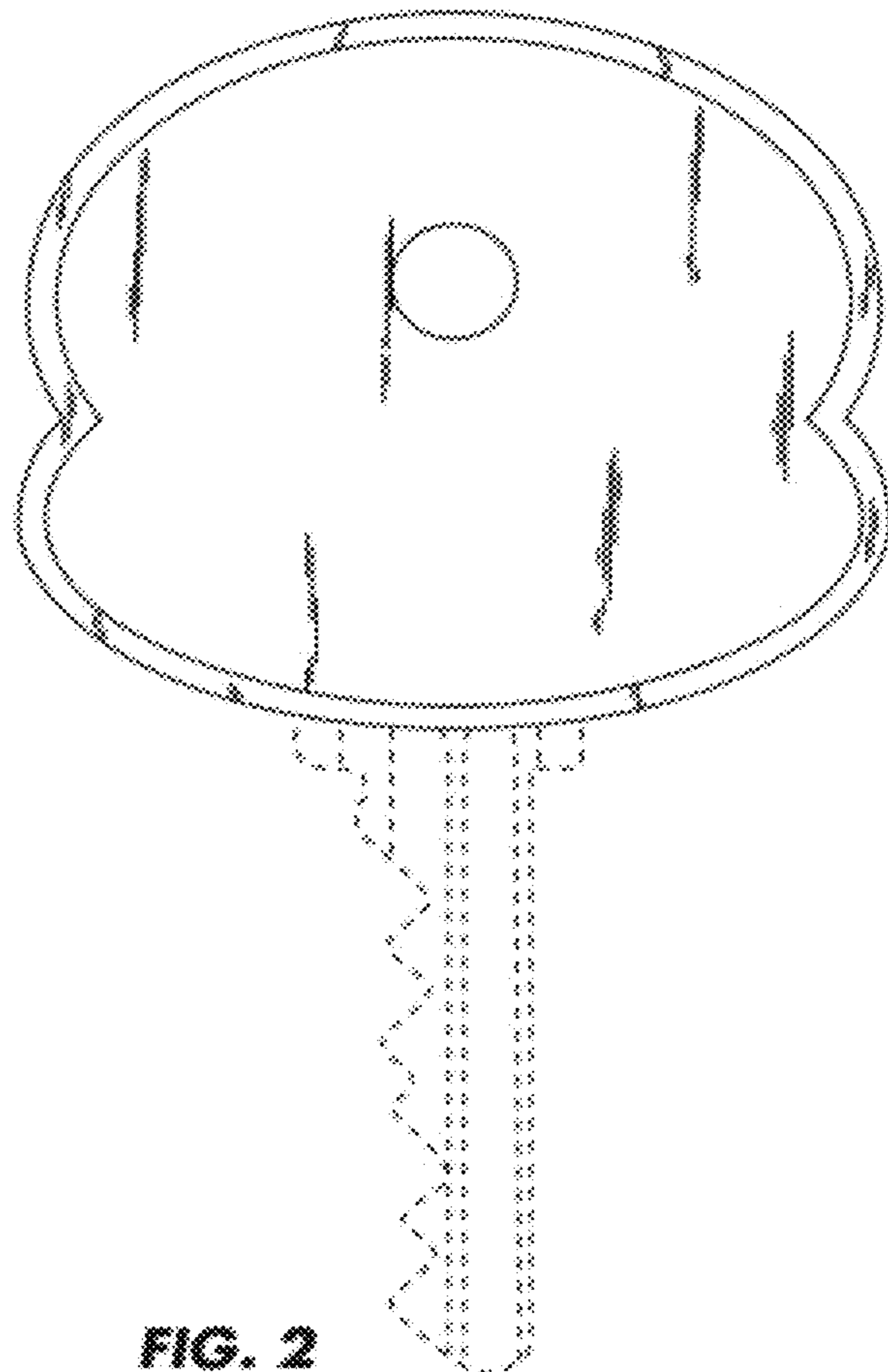
The broken lines in the Figures showing a key are for illustration purposes only and form no part of the claimed design.

**1 Claim, 3 Drawing Sheets**

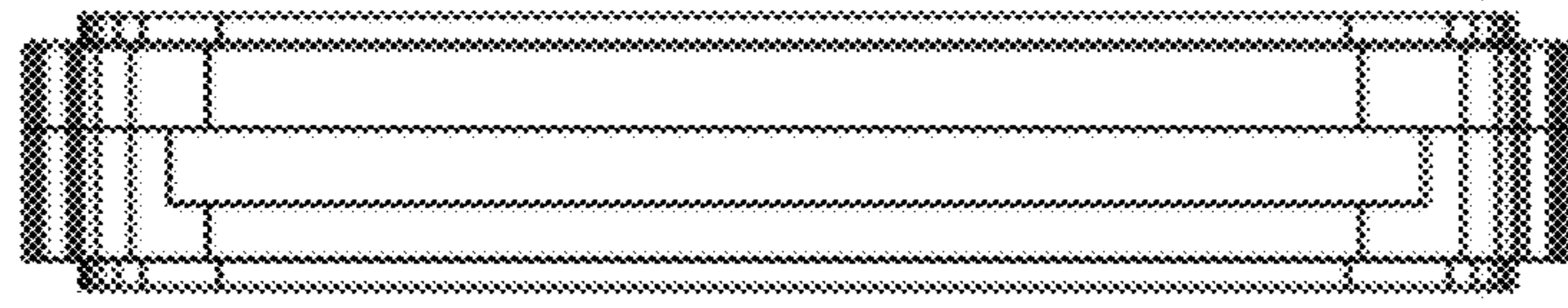




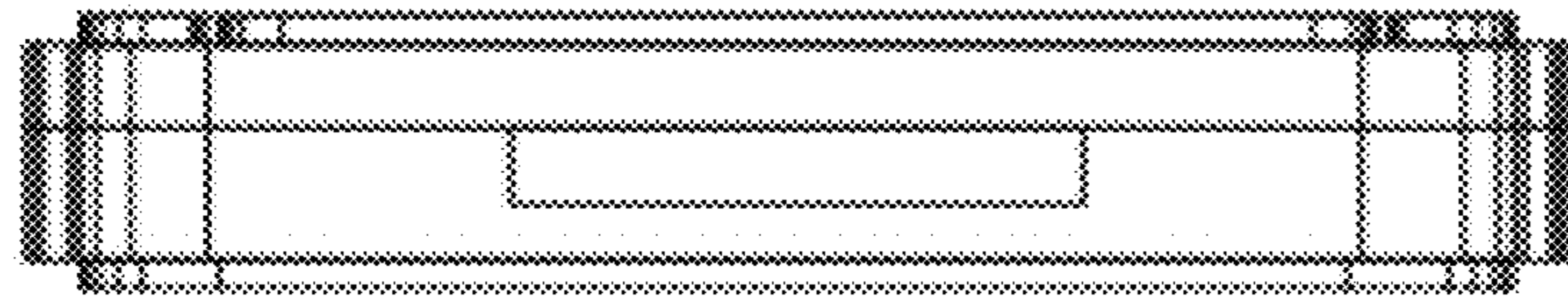
**FIG. 1**



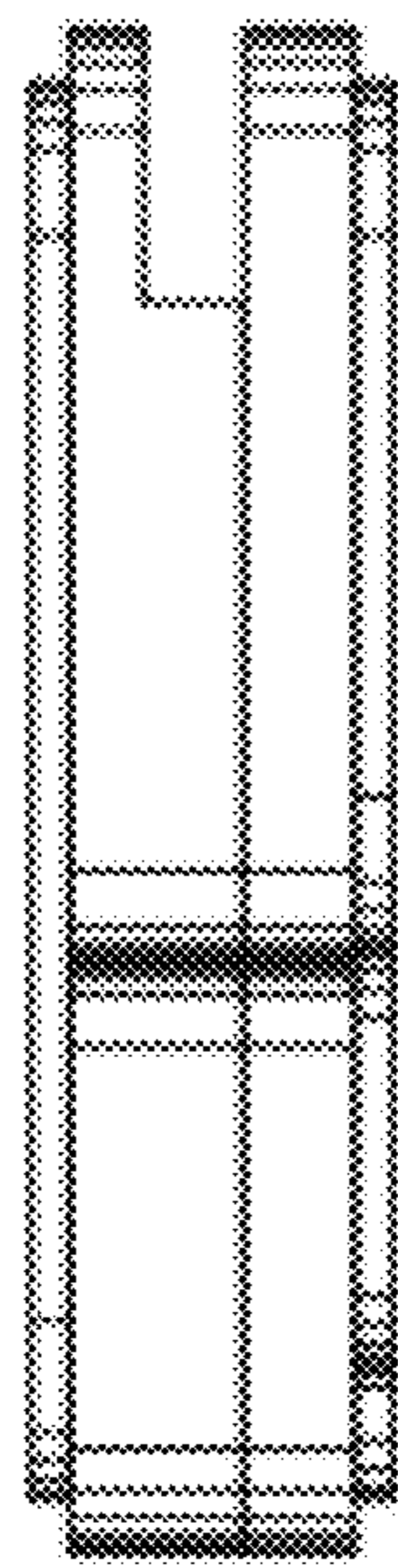
**FIG. 2**



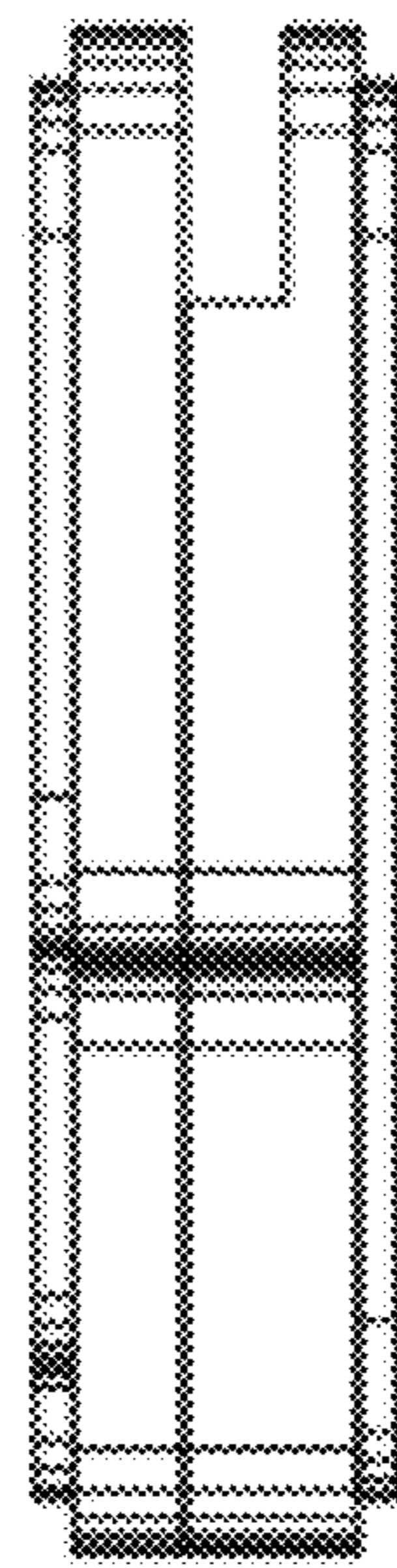
**FIG. 3**



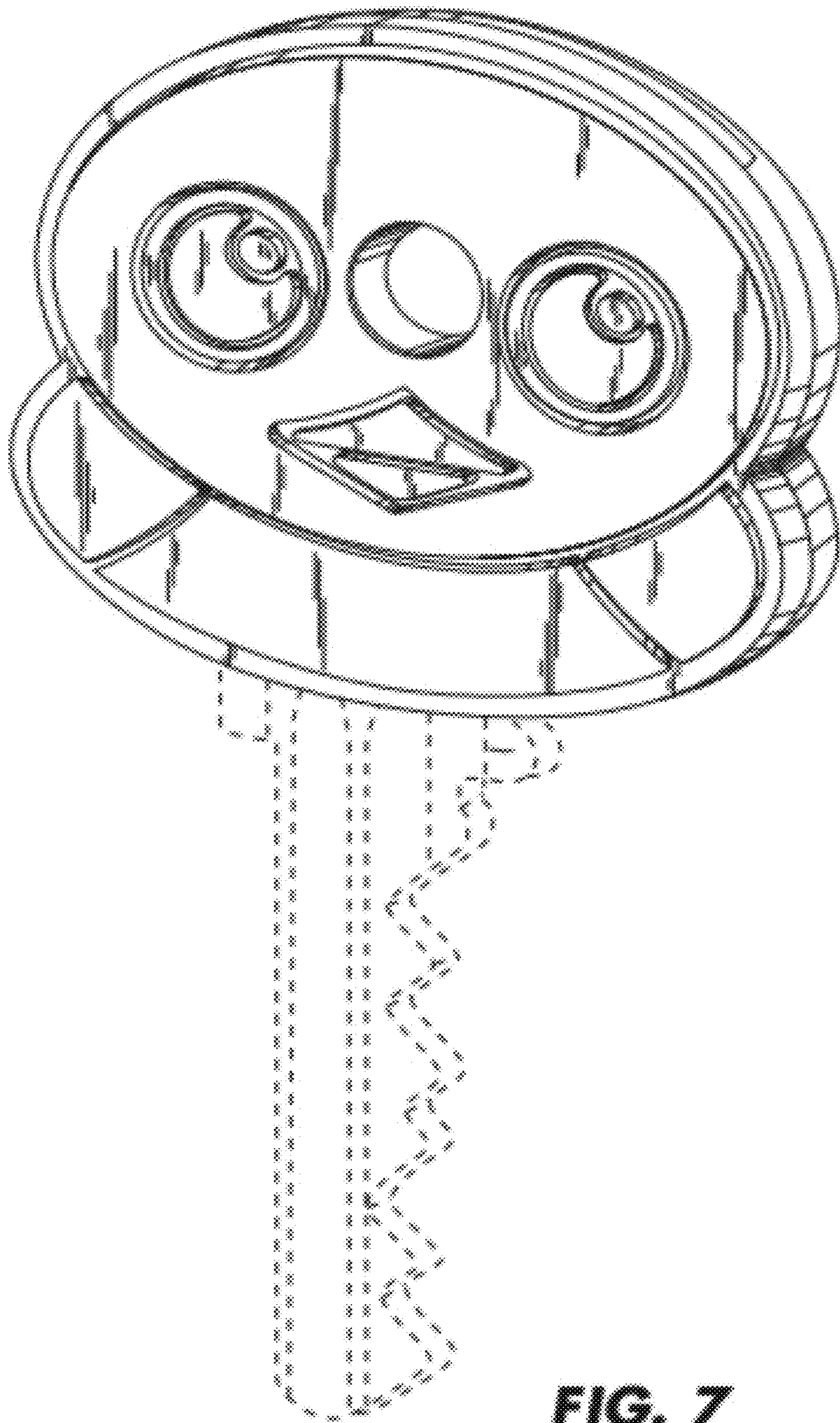
**FIG. 4**



**FIG. 5**



**FIG. 6**



**FIG. 7**