



US00D658468S

(12) **United States Design Patent**  
**Sir**

(10) **Patent No.:** **US D658,468 S**

(45) **Date of Patent:** **\*\* May 1, 2012**

(54) **LOCK FOR LOCKING BELT GEARS IN POSITION**

*Primary Examiner* — Marcus Jackson

(76) Inventor: **Oliver Sir**, Magalia, CA (US)

(57) **CLAIM**

(\*\*) Term: **14 Years**

The ornamental design for a lock for locking belt gears in position, as shown and described.

(21) Appl. No.: **29/338,988**

(22) Filed: **Jun. 23, 2009**

**DESCRIPTION**

(51) **LOC (9) Cl.** ..... **08-07**

(52) **U.S. Cl.** ..... **D8/339**

(58) **Field of Classification Search** ..... D26/28-36;  
362/459-468, 475-478, 485-487; D8/330-343;  
70/207-211, 214-215, 225-226

See application file for complete search history.

FIG. 1 is a perspective view of a lock for locking belt gears in position showing my design;  
FIG. 2 is a front elevational view thereof;  
FIG. 3 is a rear elevational view thereof;  
FIG. 4 is a left side elevational view thereof;  
FIG. 5 is a right side elevational view thereof;  
FIG. 6 is a top plan view thereof; and  
FIG. 7 is a bottom plan view thereof; and,  
FIG. 8 is a reduced perspective view thereof, with the claimed design shown in use, and with the broken line showing for illustrative purposes only and forming no part of the claimed design.

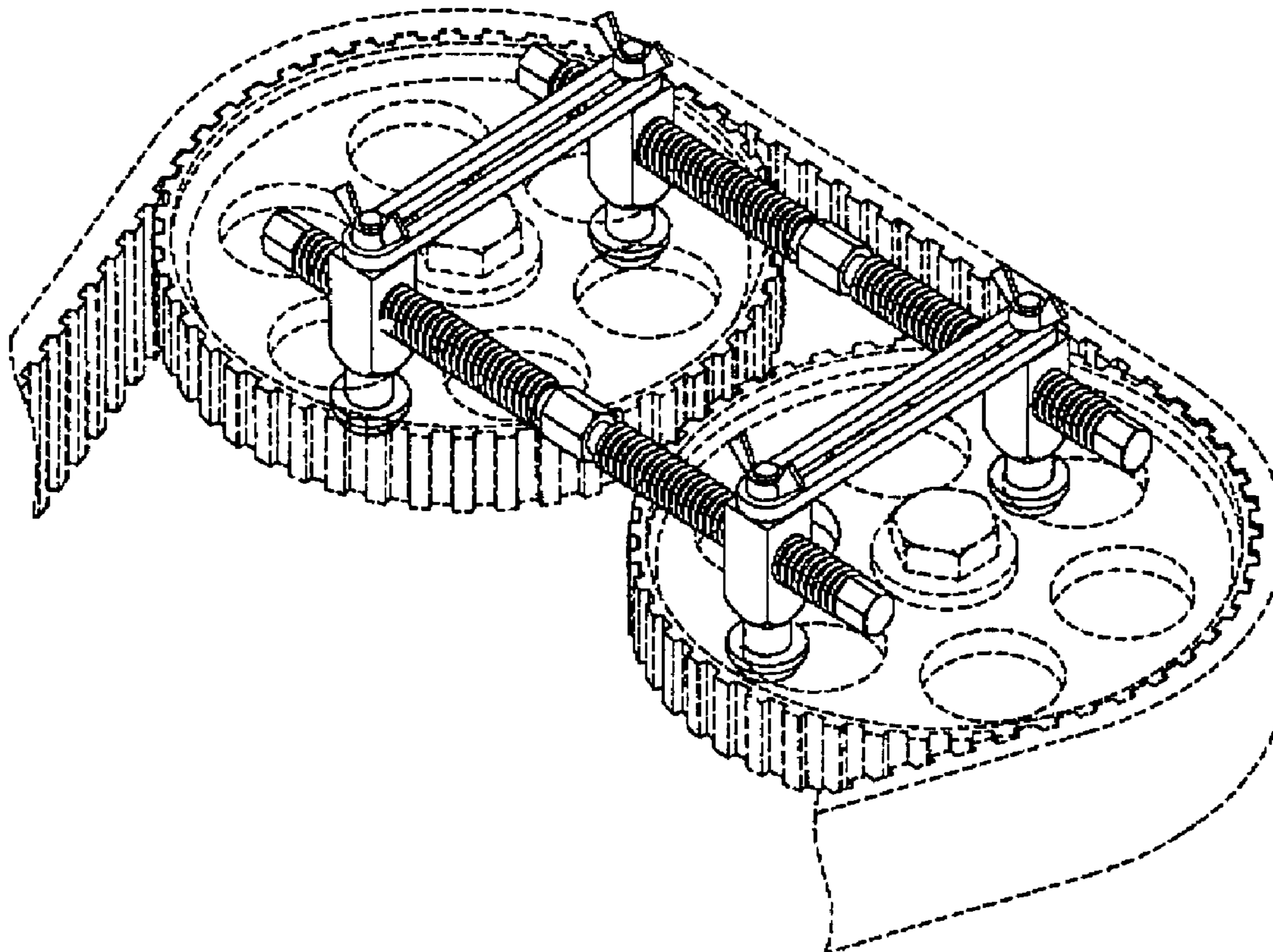
(56) **References Cited**

**U.S. PATENT DOCUMENTS**

D368,645 S *	4/1996	Chen	.....	D8/331
D385,773 S *	11/1997	Wang	.....	D8/339
D560,292 S *	1/2008	Sato	.....	D26/28

\* cited by examiner

**1 Claim, 6 Drawing Sheets**



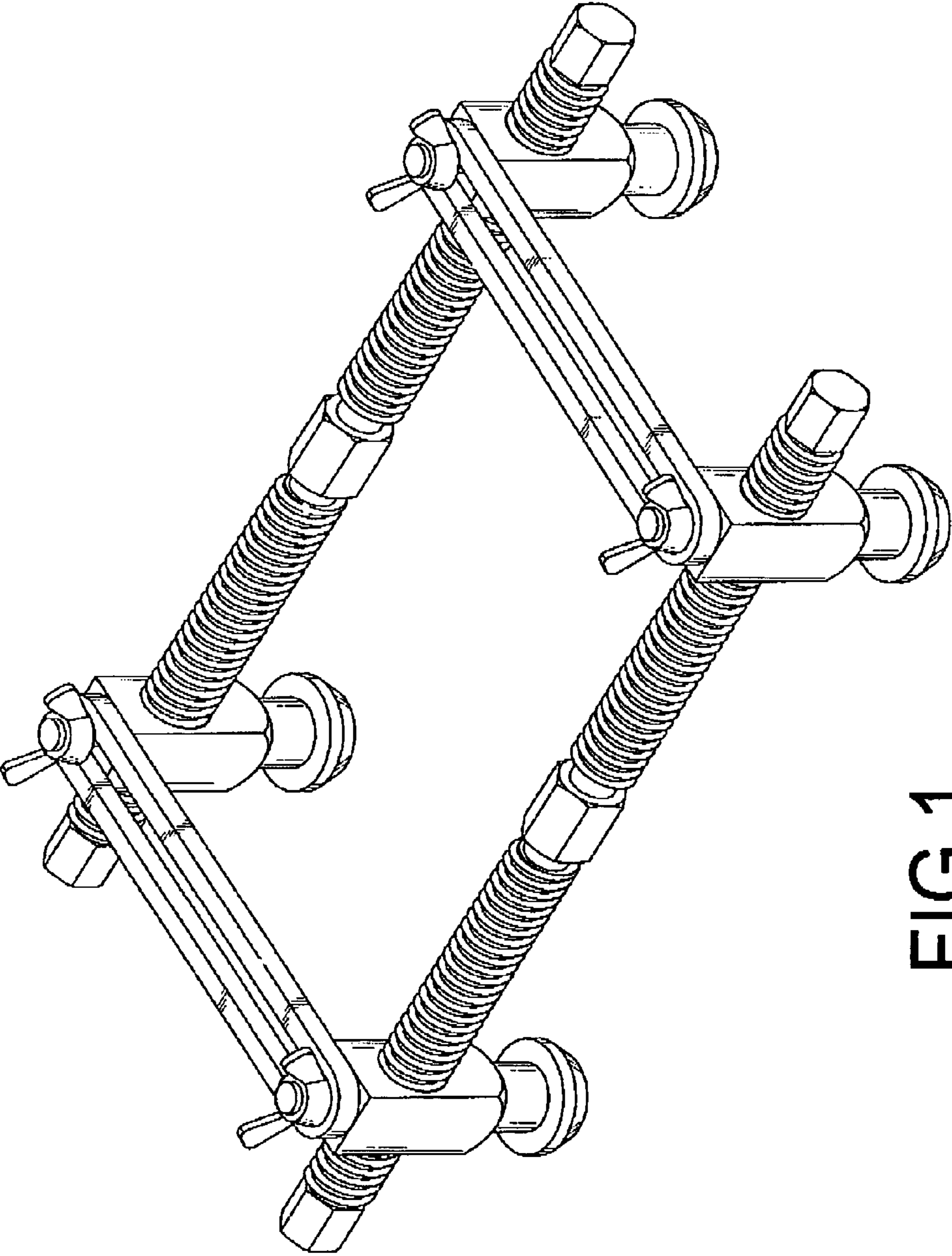


FIG.1

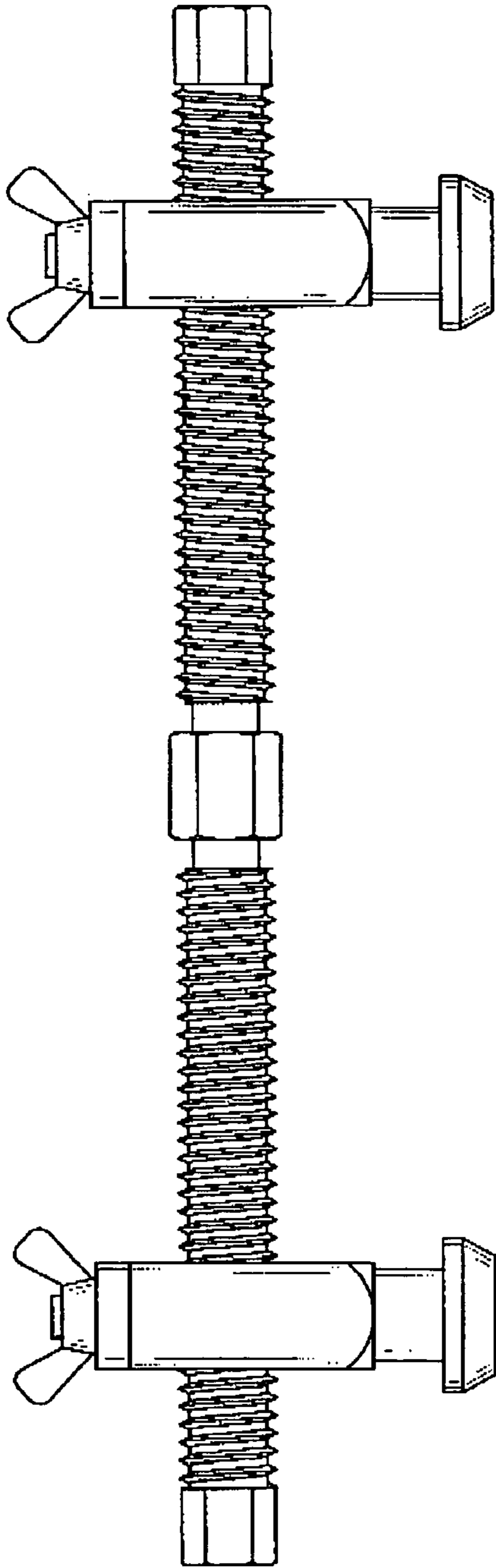


FIG. 2

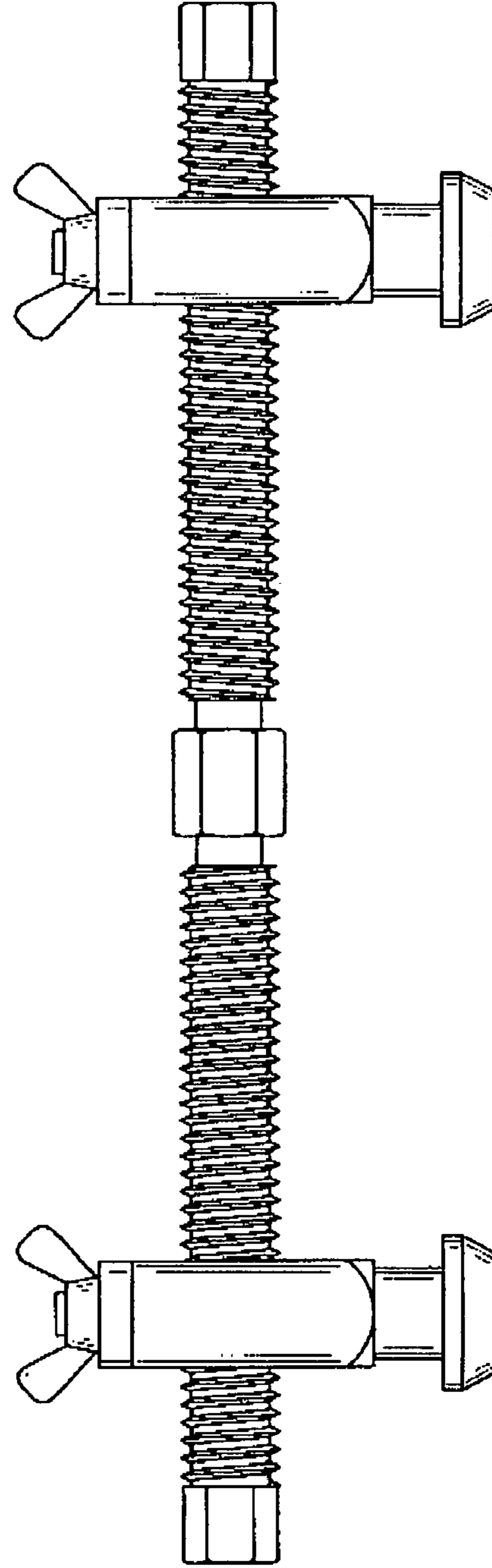


FIG. 3

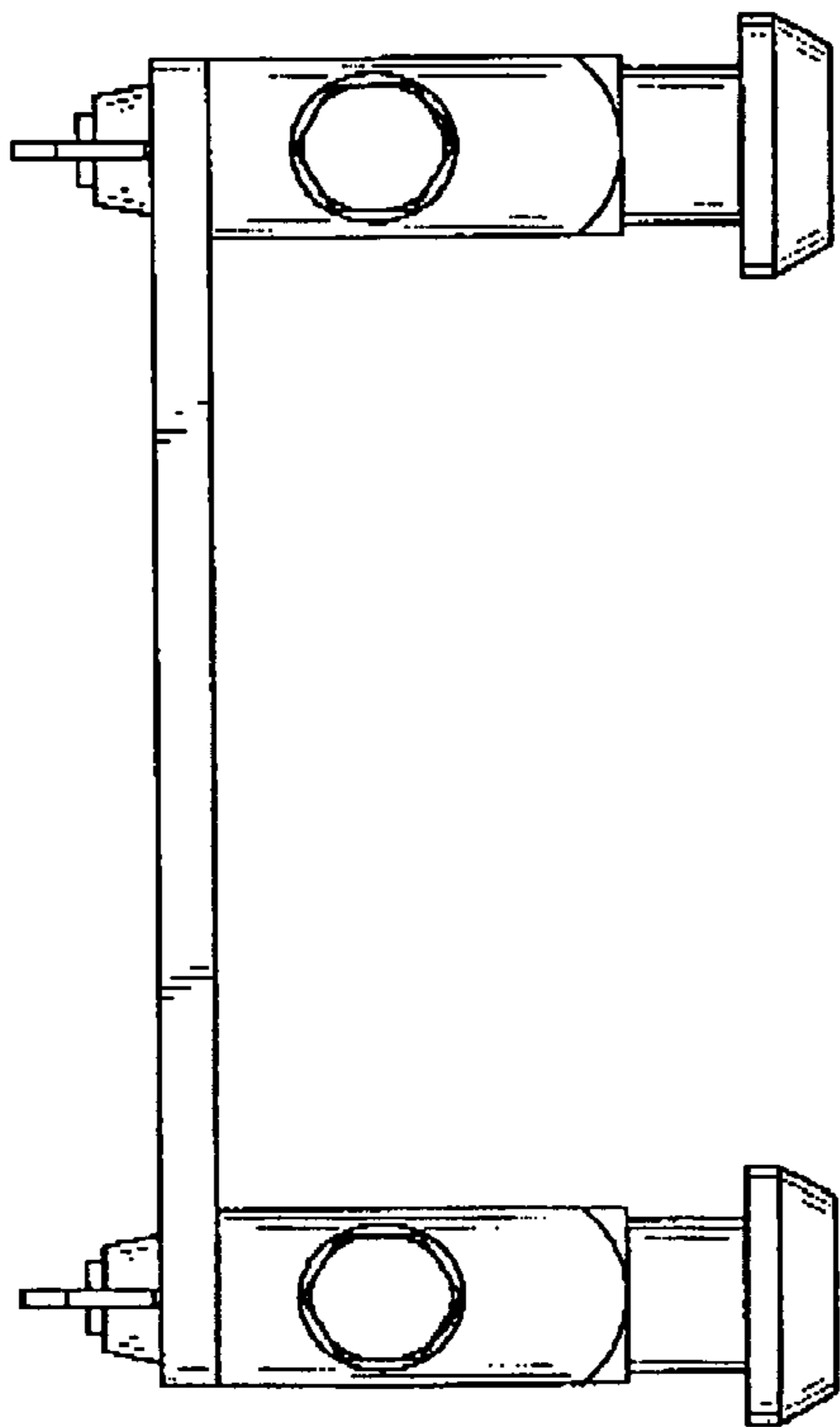


FIG. 4

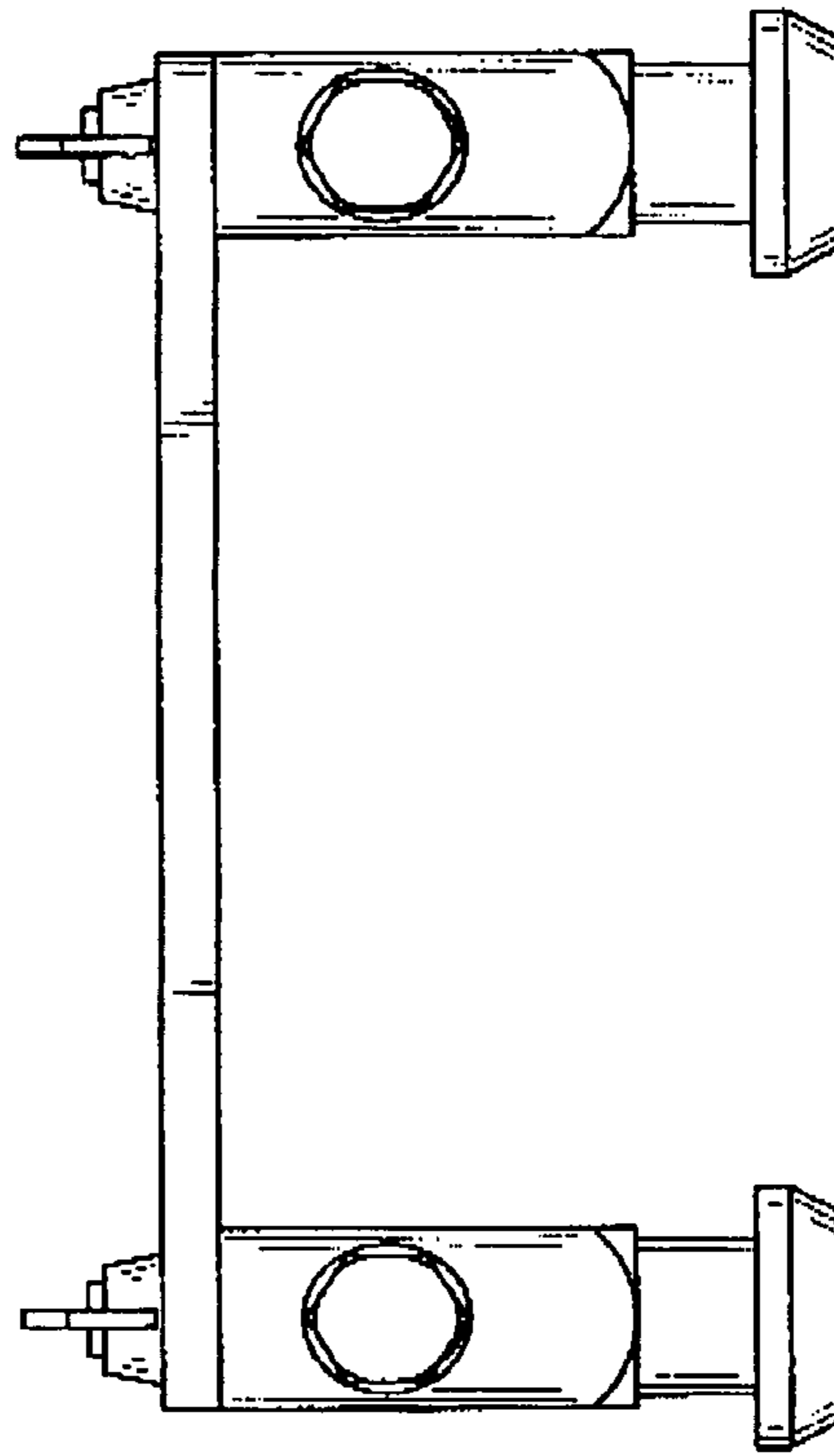


FIG. 5

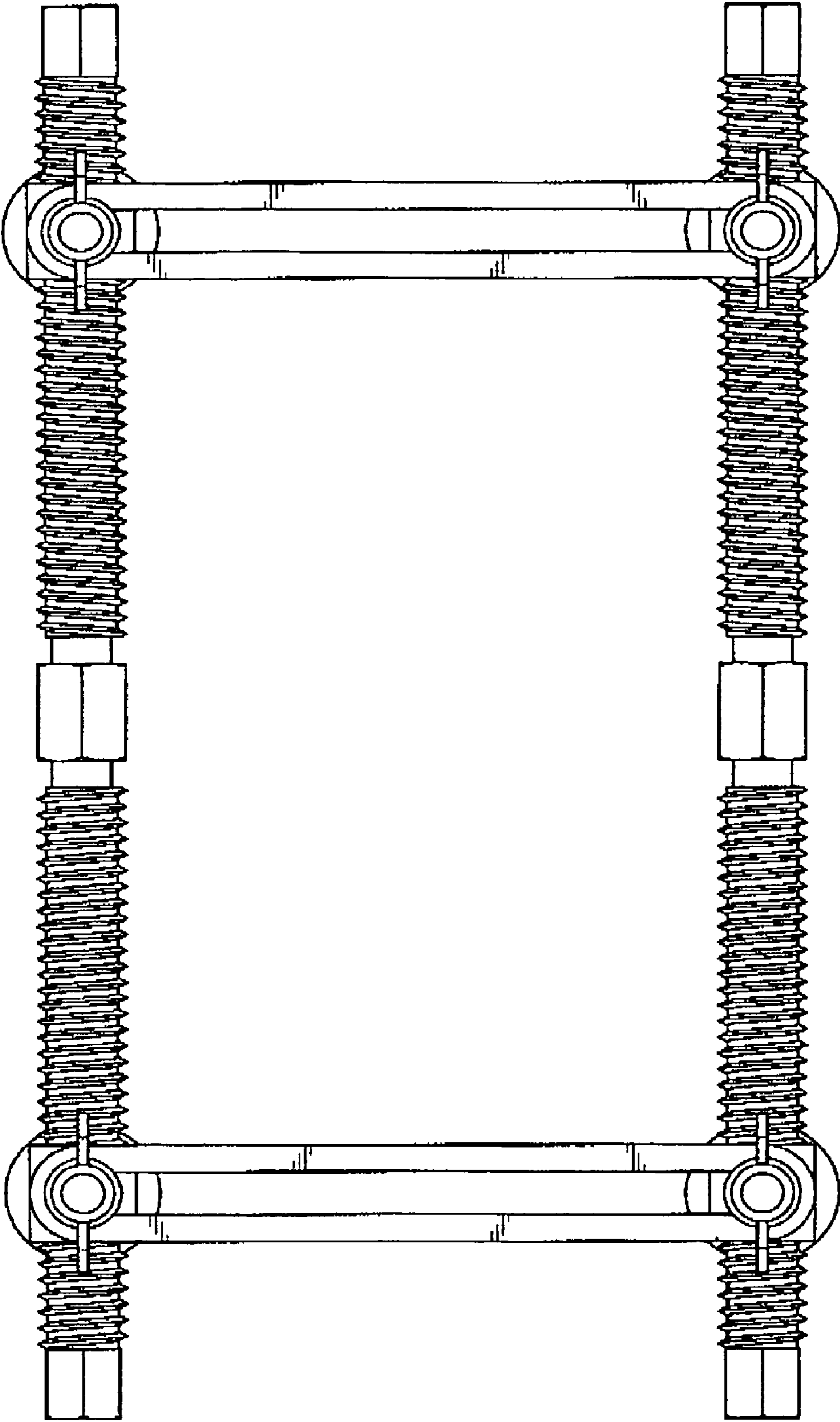


FIG. 6

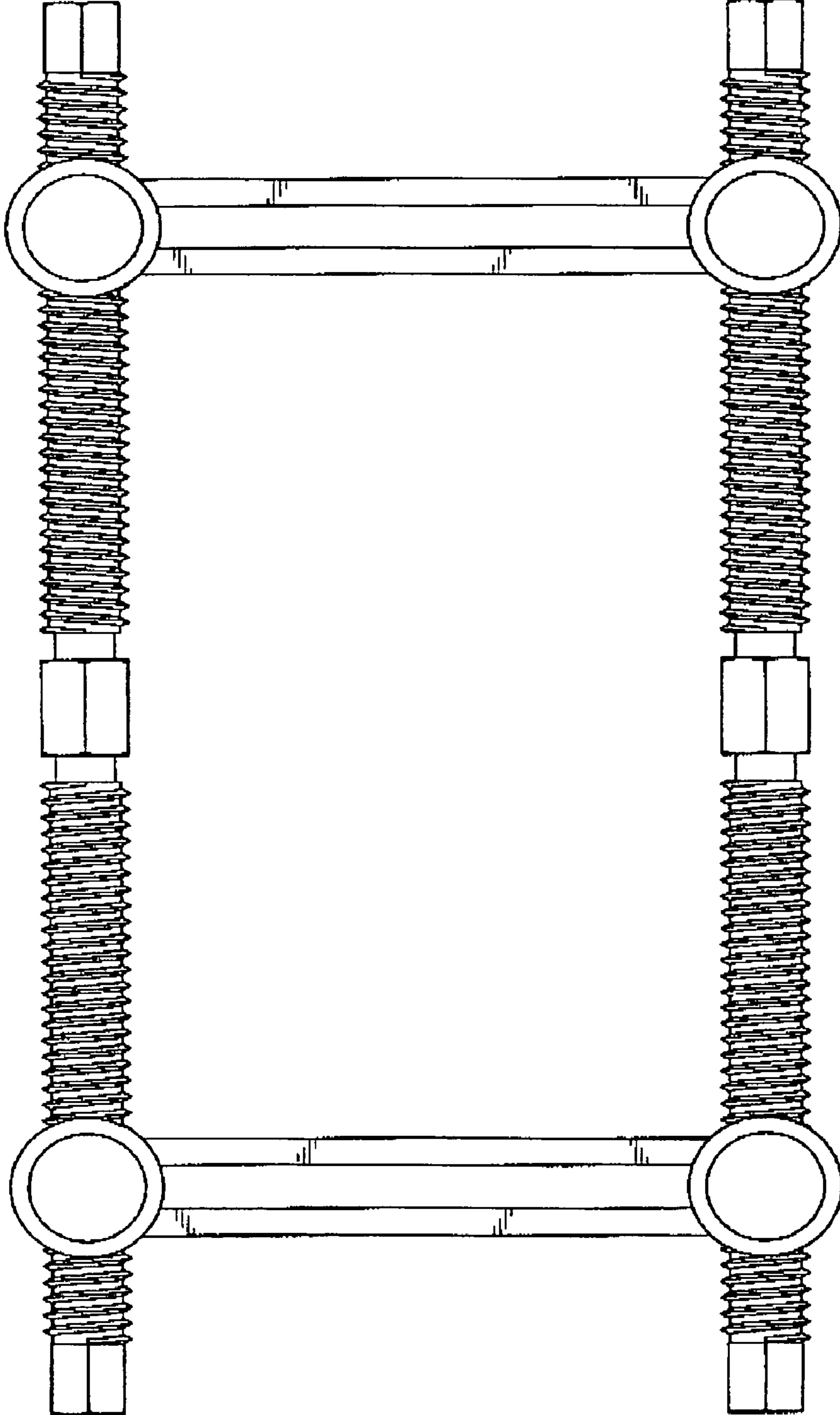


FIG. 7

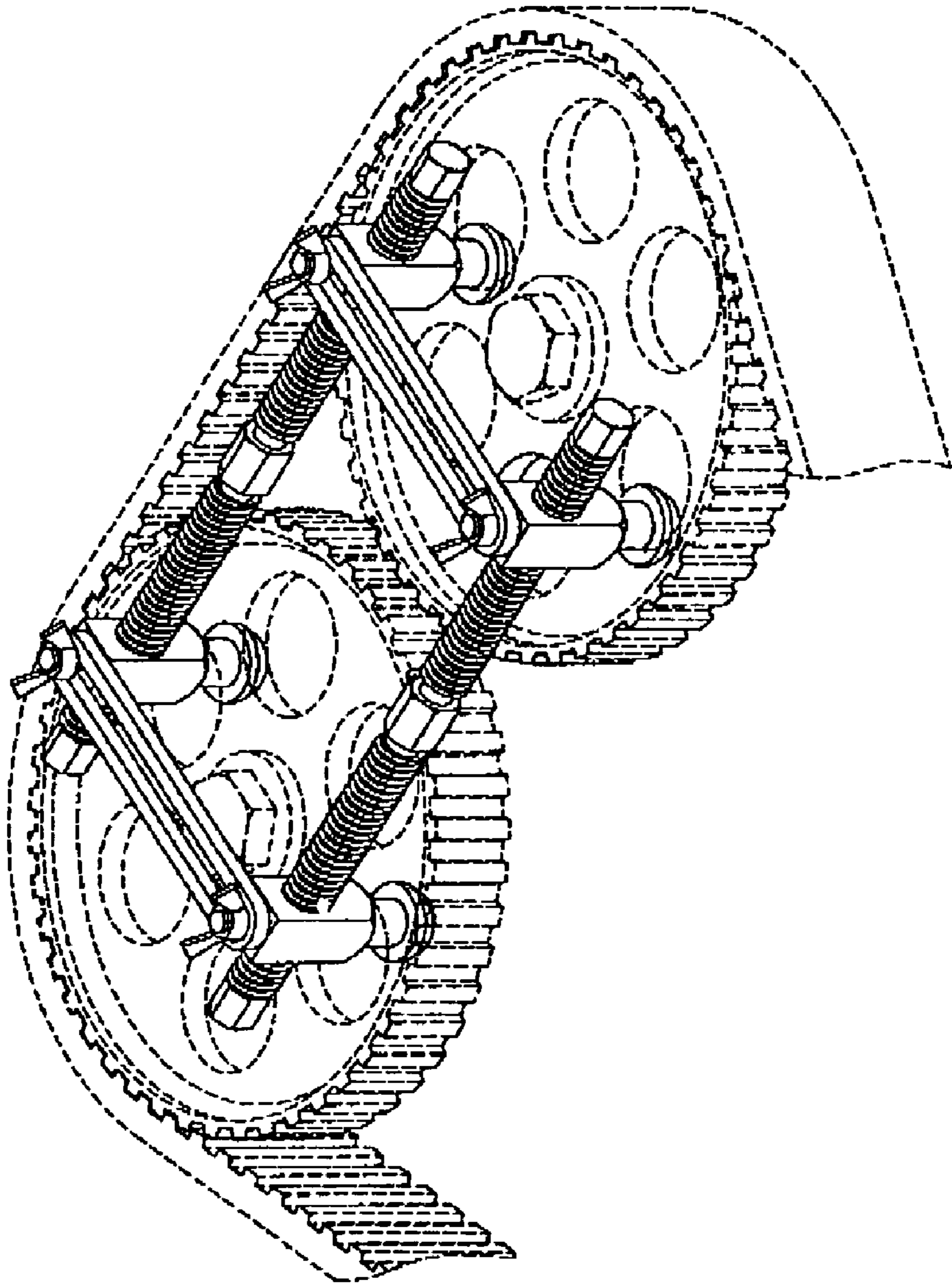


FIG. 8