

US00D658463S

(12) **United States Design Patent**
Welch

(10) **Patent No.:** **US D658,463 S**

(45) **Date of Patent:** **** May 1, 2012**

(54) **MOOSE HEAD SHAPED BOTTLE CAP
REMOVER**

Primary Examiner — Garth Rademaker

(74) *Attorney, Agent, or Firm* — David O. Simmons

(76) Inventor: **James Douglas Welch**, Austin, TX (US)

(**) Term: **14 Years**

(57) **CLAIM**

(21) Appl. No.: **29/374,025**

The ornamental design for a moose head shaped bottle cap remover, as shown and described.

(22) Filed: **Jul. 25, 2011**

(51) **LOC (9) Cl.** **07-99**

(52) **U.S. Cl.** **D8/38; D8/18**

(58) **Field of Classification Search** D8/14,
D8/16-19, 33-43, 88, 89, 105; 7/113, 151-156;
30/400-410, 416-430, 433, 434, 443, 450;
81/3.07, 3.09, 3.2, 3.27, 3.29, 3.31, 3.35,
81/3.37, 3.4, 3.45, 3.48, 3.49, 3.55

See application file for complete search history.

DESCRIPTION

FIG. 1 is a bottom, front, right-side perspective view of a moose head shaped bottle cap remover in accordance with the present invention, with the broken lines showing environmental subject matter which forms no part of the claimed design; FIG. 2 is a top, rear, right-side perspective view of the moose head shaped bottle cap remover of FIG. 1; FIG. 3 is a front view of the moose head shaped bottle cap remover of FIG. 1; FIG. 4 is a rear view of the moose head shaped bottle cap remover of FIG. 1; FIG. 5 is a left side view of the moose head shaped bottle cap remover of FIG. 1; FIG. 6 is a right side view of the moose head shaped bottle cap remover of FIG. 1; FIG. 7 is a top view of the moose head shaped bottle cap remover of FIG. 1; and, FIG. 8 is a bottom side view of the moose head shaped bottle cap remover of FIG. 1.

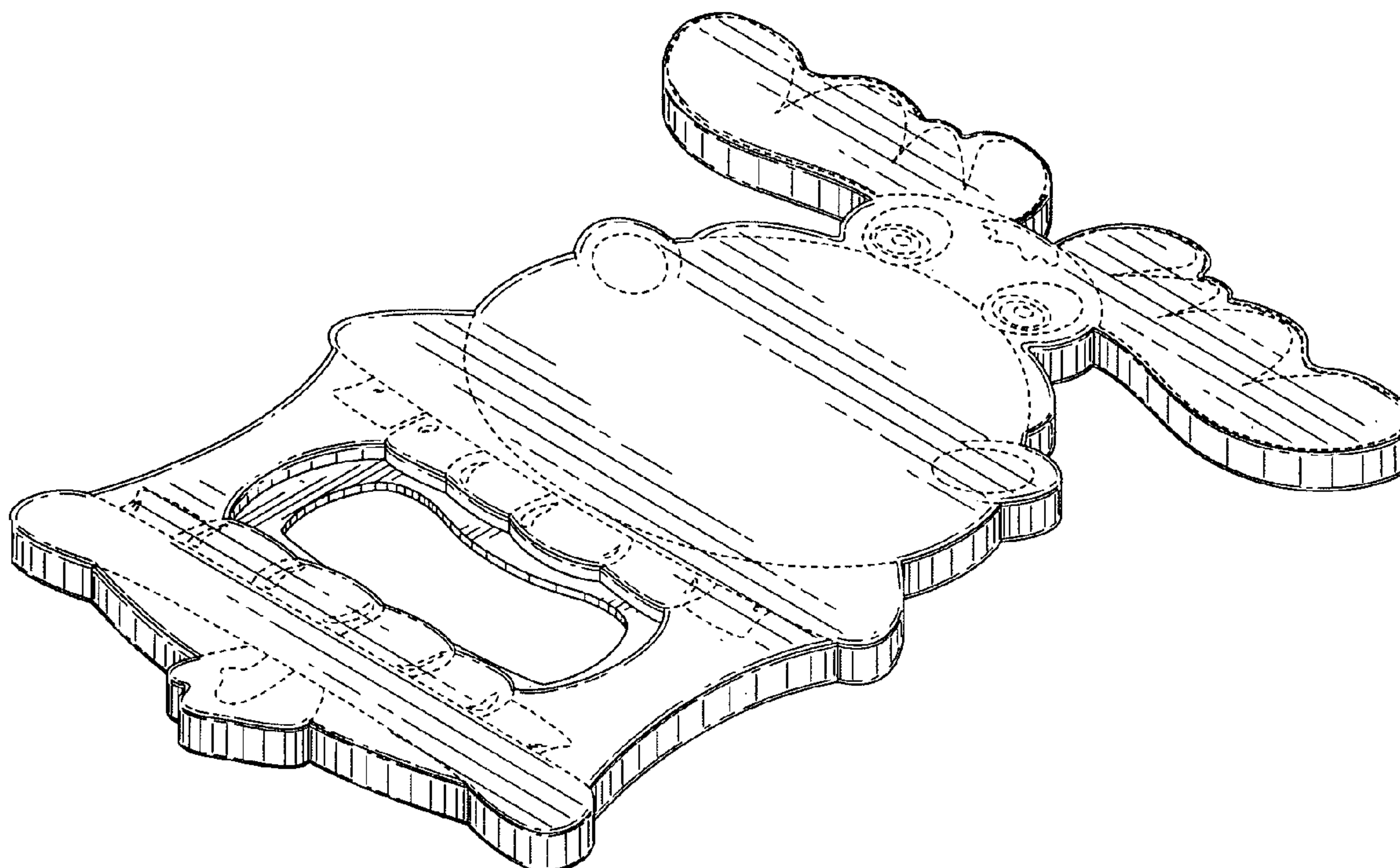
(56) **References Cited**

U.S. PATENT DOCUMENTS

D87,212 S *	6/1932	Halvorsen	D8/38
D488,974 S *	4/2004	Kelleghan	D8/38
D516,886 S *	3/2006	Kelleghan	D8/38
D550,065 S *	9/2007	Kelleghan	D8/356
D601,394 S *	10/2009	Welch	D8/38
D611,790 S *	3/2010	Welch	D8/38
D623,914 S *	9/2010	van der Lande	D8/38
D633,350 S *	3/2011	Welch	D8/38
D633,351 S *	3/2011	Welch	D8/38
D642,030 S *	7/2011	Dorey	D8/38

* cited by examiner

1 Claim, 4 Drawing Sheets



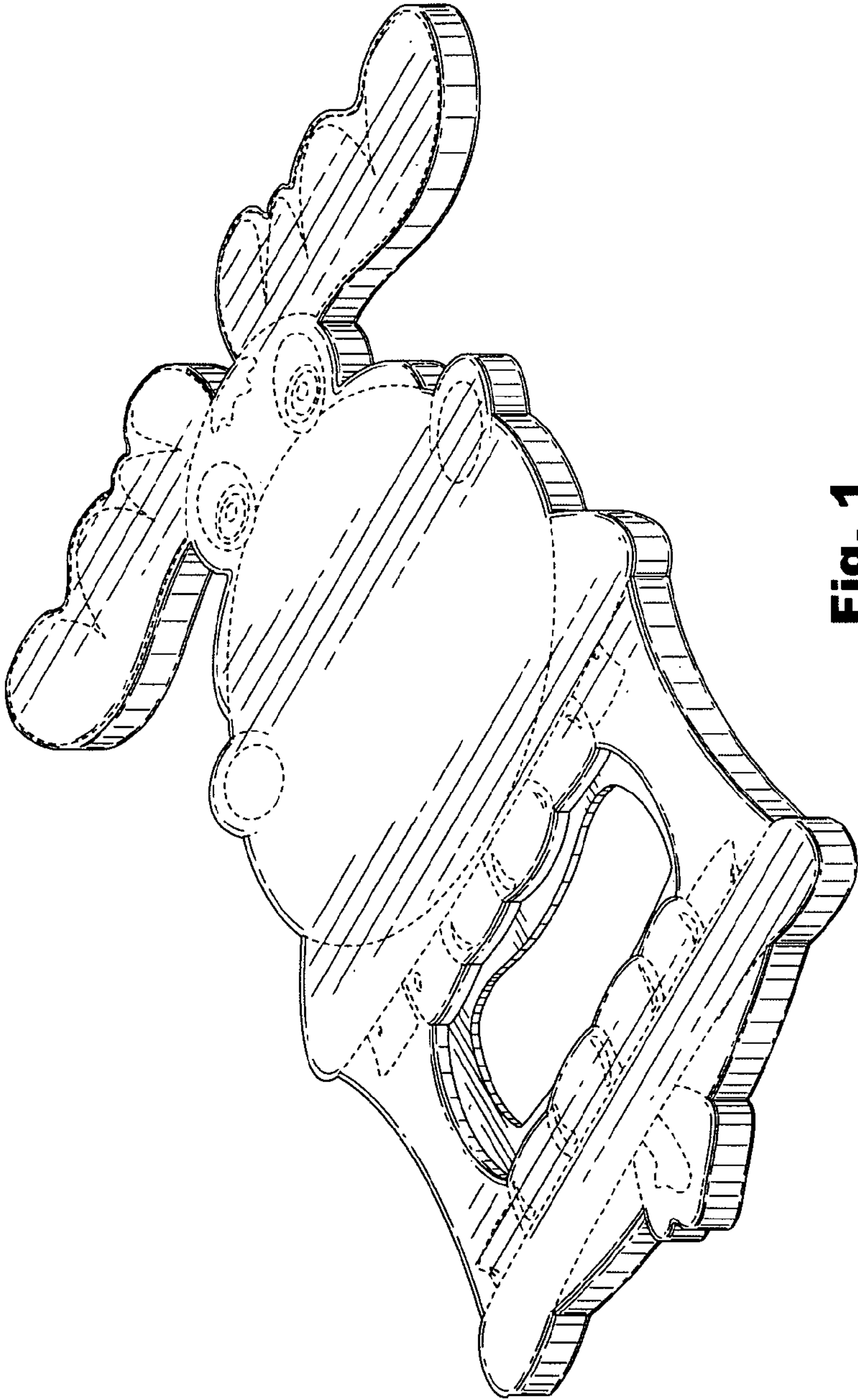


Fig. 1

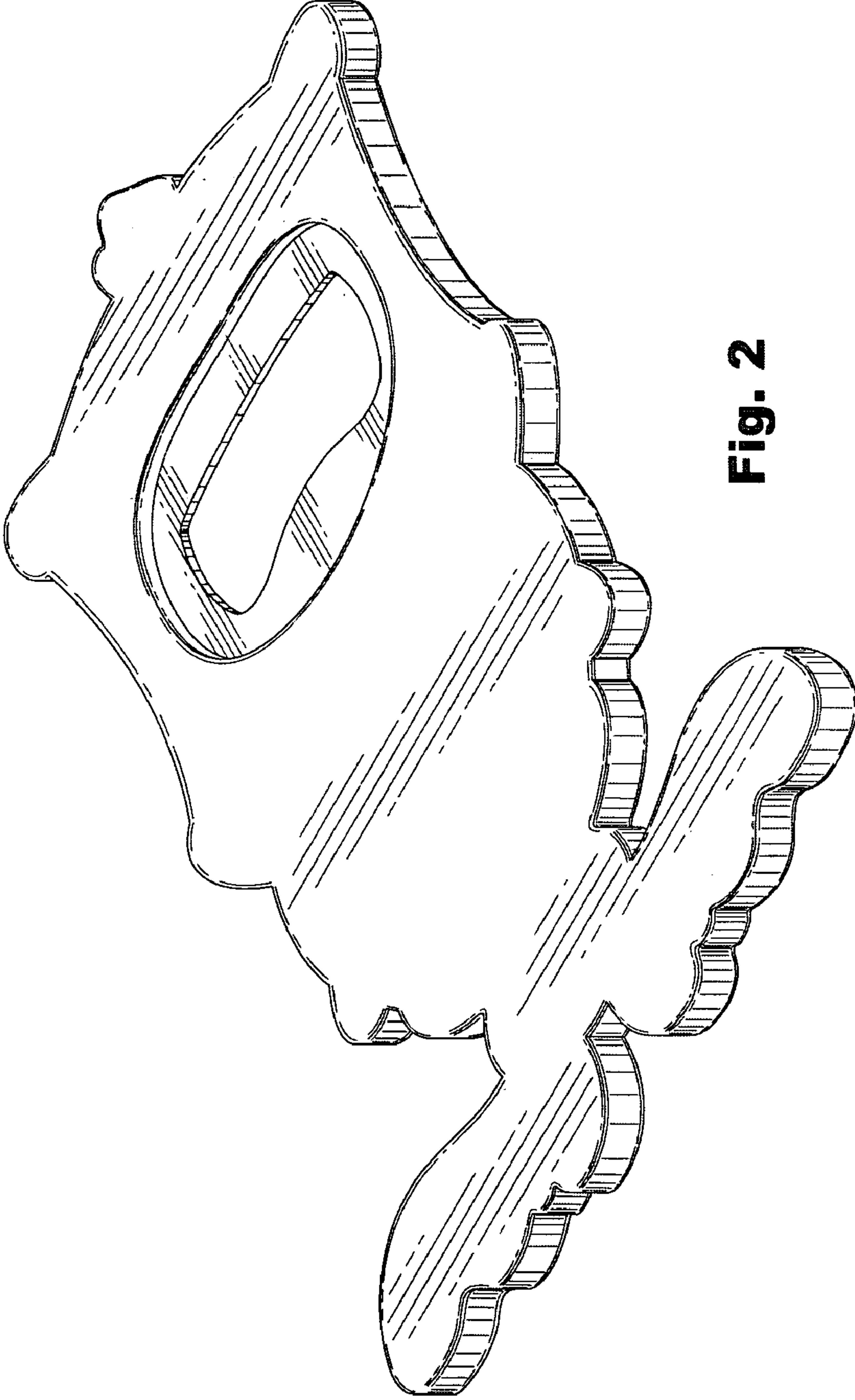


Fig. 2

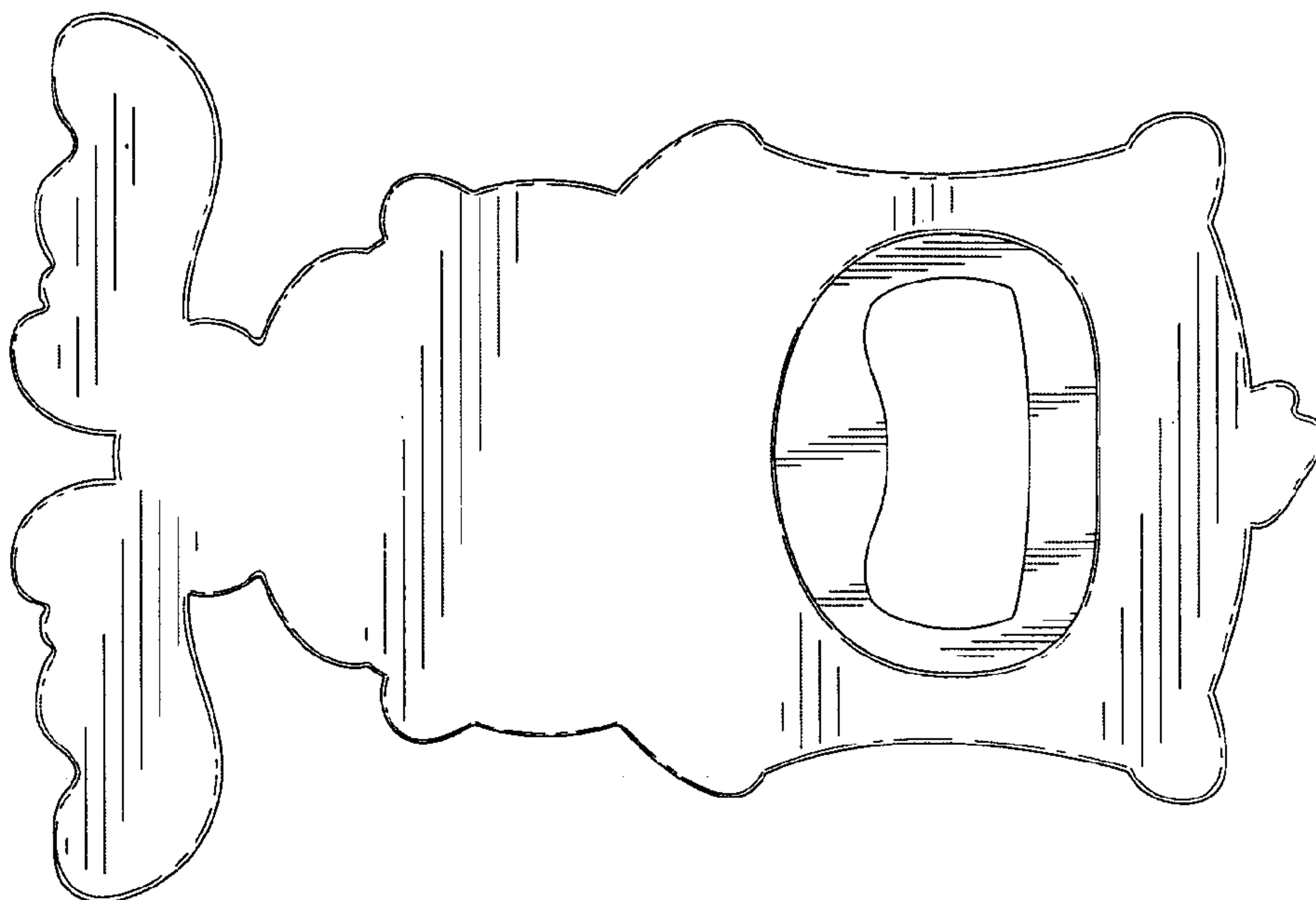


Fig. 4

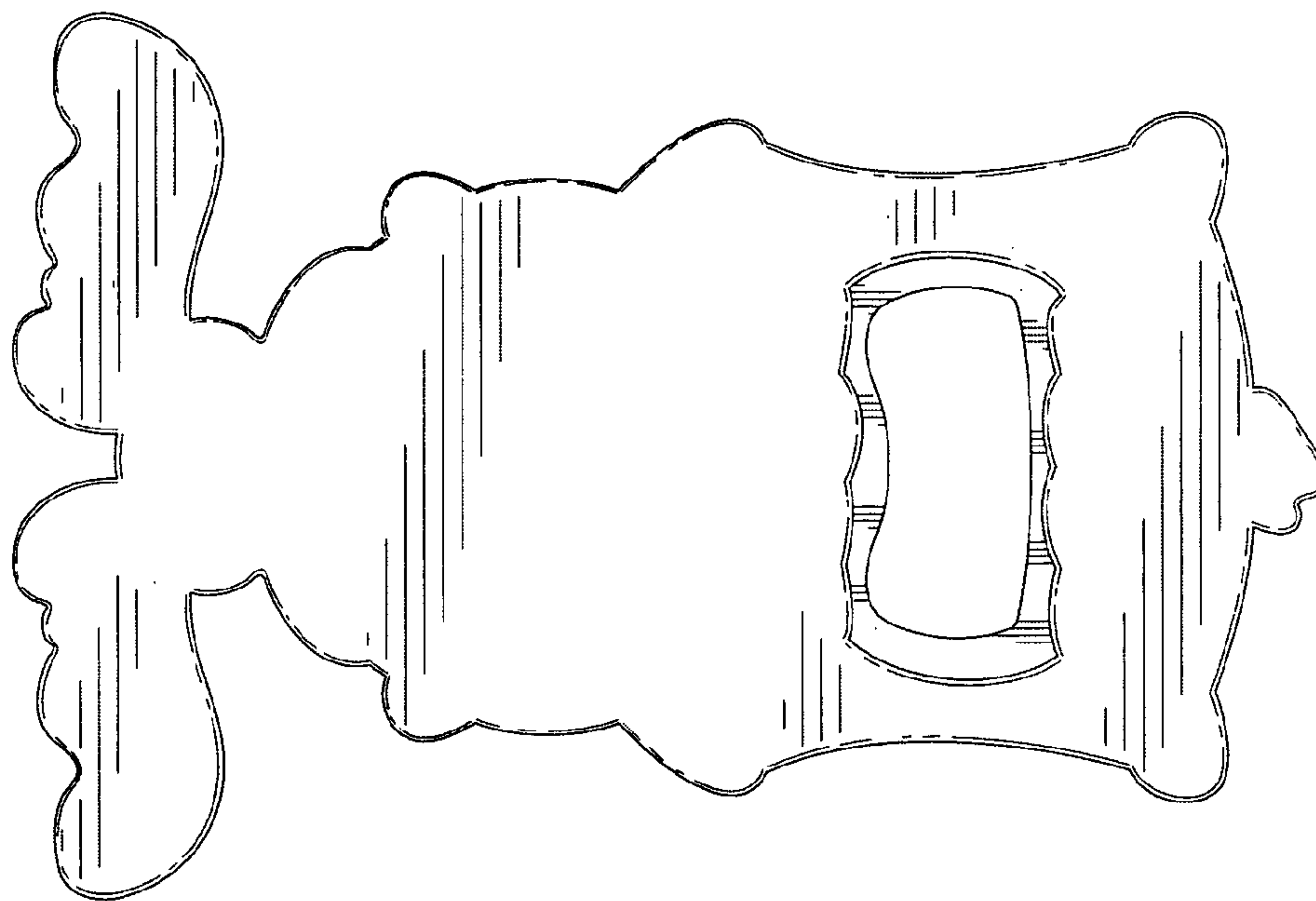


Fig. 3

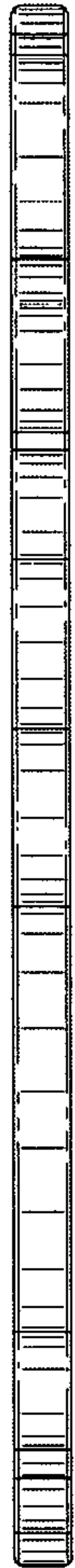


Fig. 5

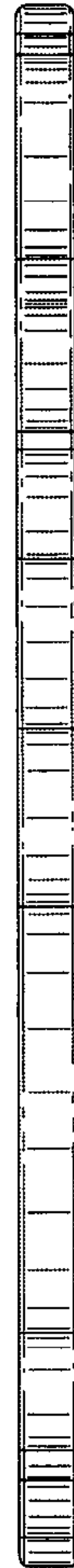


Fig. 6

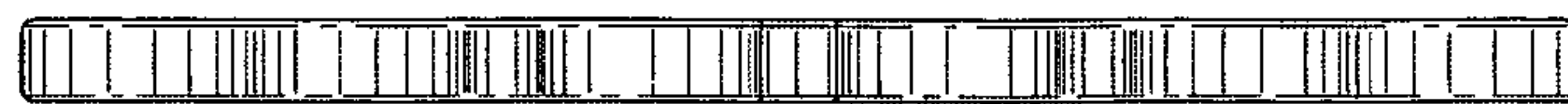


Fig. 7



Fig. 8