



US00D658460S

(12) **United States Design Patent**
Wang et al.

(10) **Patent No.:** **US D658,460 S**

(45) **Date of Patent:** **** May 1, 2012**

(54) **WRENCH**

(75) Inventors: **Qiang Wang**, Shanghai (CN); **Hua An Xu**, Shanghai (CN)

(73) Assignee: **Meridian International Co., Ltd.** (CN)

(**) Term: **14 Years**

(21) Appl. No.: **29/392,375**

(22) Filed: **May 20, 2011**

(51) **LOC (9) Cl.** **08-05**

(52) **U.S. Cl.** **D8/25**

(58) **Field of Classification Search** D8/17,
D8/21-29, 97, 107; 81/60, 177.1, 177.85,
81/121.1, 124.3, 165-170, 110.1, 176.2,
81/124.6, 176.1, 176.15, 177.2, 186; 16/110.1;
D15/144.1; 219/75, 227, 229, 121.16, 121.18
See application file for complete search history.

(56) **References Cited**

U.S. PATENT DOCUMENTS

D488,967	S *	4/2004	Hsien	D8/25
6,877,404	B2 *	4/2005	Chen	81/177.7
D506,373	S *	6/2005	Hsien	D8/28
7,066,059	B1 *	6/2006	Hsieh	81/177.7
D525,495	S *	7/2006	Hsieh	D8/28
7,318,366	B2 *	1/2008	Lee et al.	81/177.9
D601,871	S *	10/2009	Murray	D8/28

D642,881	S *	8/2011	Christopher	D8/25
7,996,912	B2 *	8/2011	Spalink et al.	726/26
2009/0049957	A1 *	2/2009	Chang	81/60
2010/0326246	A1 *	12/2010	Chang	81/60
2011/0017024	A1 *	1/2011	Kriz	81/60

* cited by examiner

Primary Examiner — Raphael Barkai

Assistant Examiner — Randall H Gholson

(74) *Attorney, Agent, or Firm* — Jason R. Sytsma;
Shuttleworth & Ingersoll, PLC

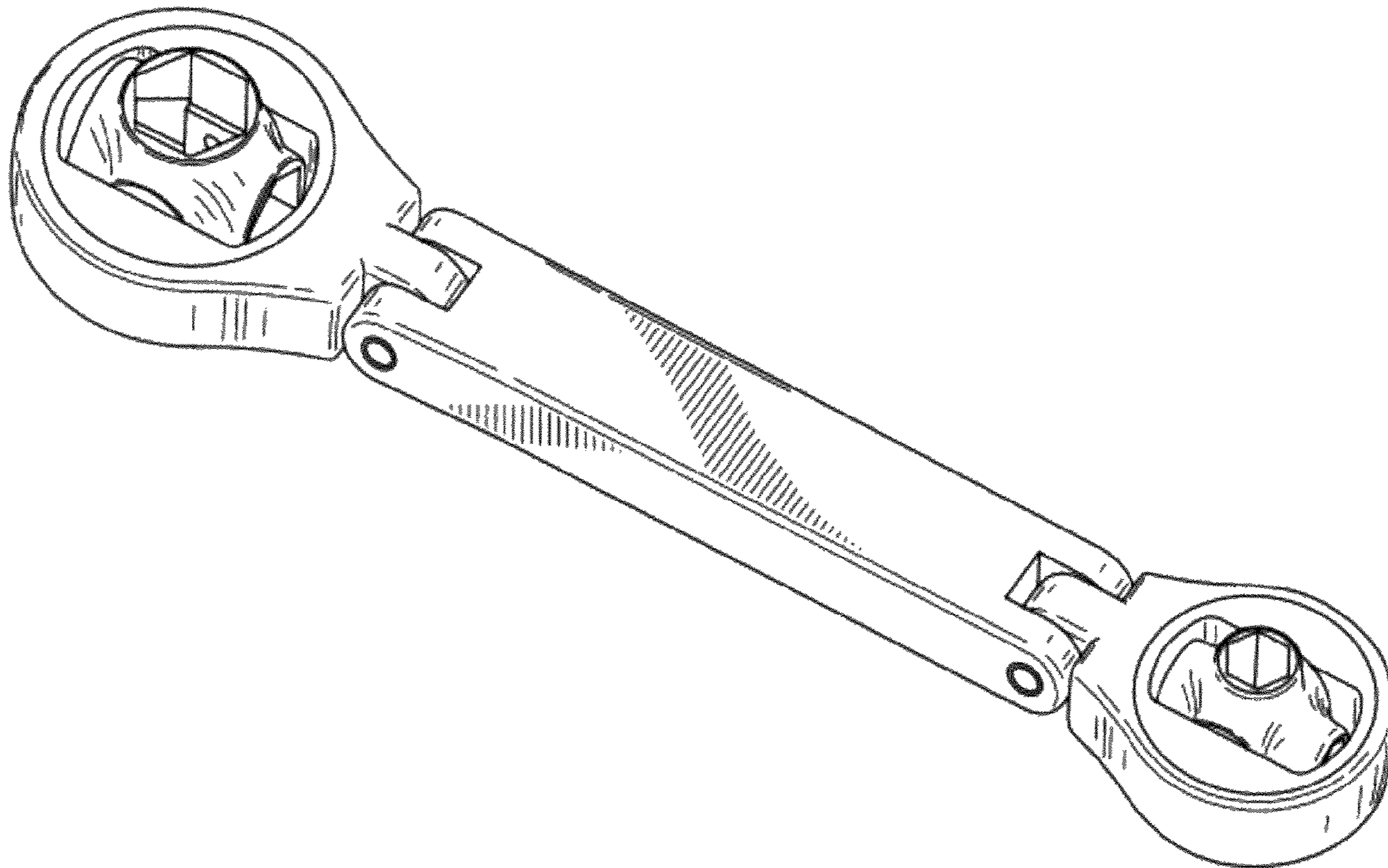
(57) **CLAIM**

The ornamental design for a wrench, as shown.

DESCRIPTION

FIG. 1 is a perspective front view of a wrench according to the invention illustrating the front and right side of the invention; FIG. 2 is a front view of the wrench of FIG. 1; FIG. 3 is a back side view of the wrench of FIG. 1; FIG. 4 is a right side view of the wrench of FIG. 1; FIG. 5 is a left side view of the wrench of FIG. 1; FIG. 6 is a top view of the wrench of FIG. 1; FIG. 7 is a bottom view of the wrench of FIG. 1; FIG. 8 is a right side view of the wrench of FIG. 1 with one of the wrench heads in the flexed position; and, FIG. 9 is a right side view of the wrench of FIG. 1 with both of the wrench heads in the flexed position. Petitioner disclaims the shape and configuration of the features of those portions shown in broken lines.

1 Claim, 7 Drawing Sheets



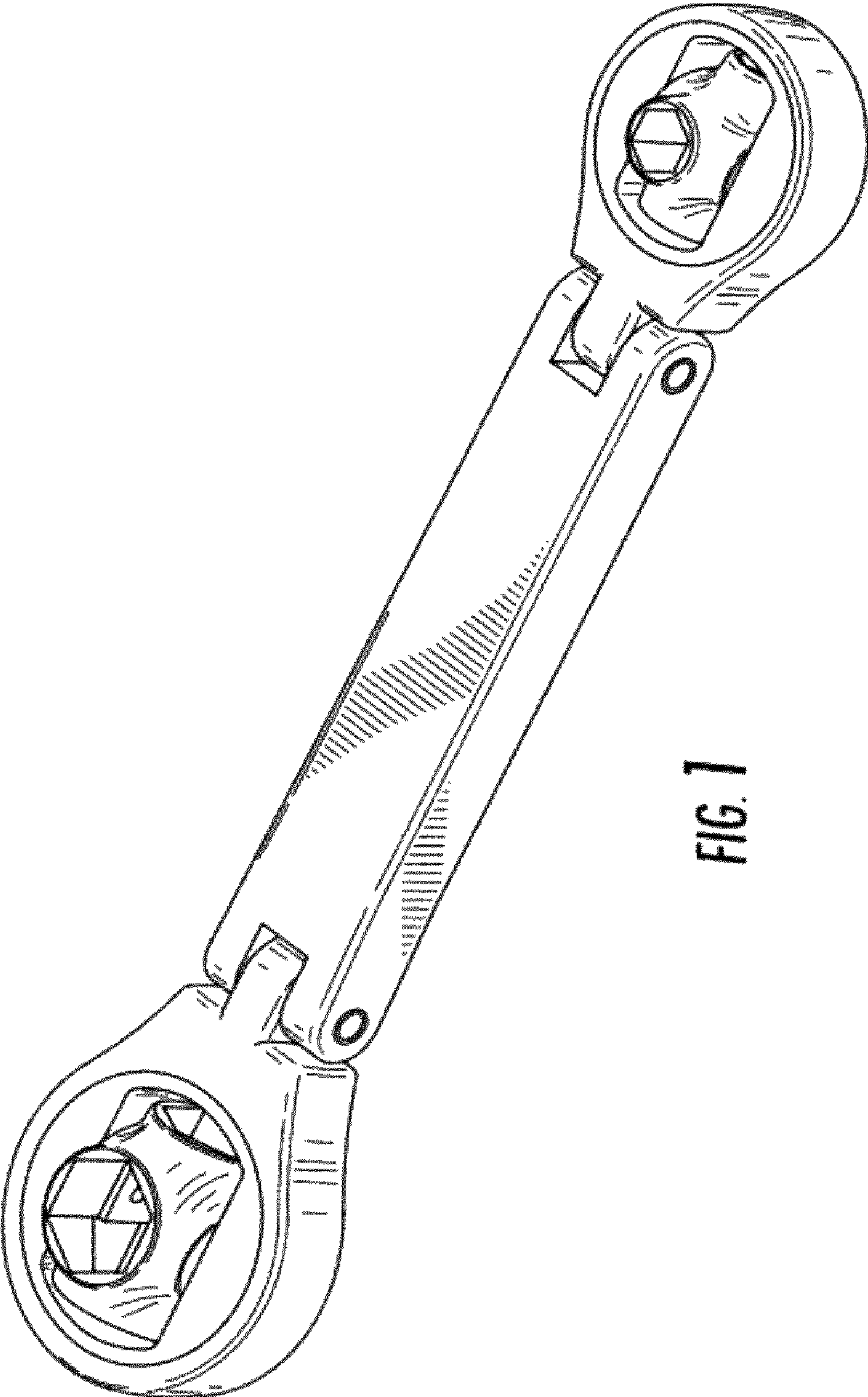


FIG. 1

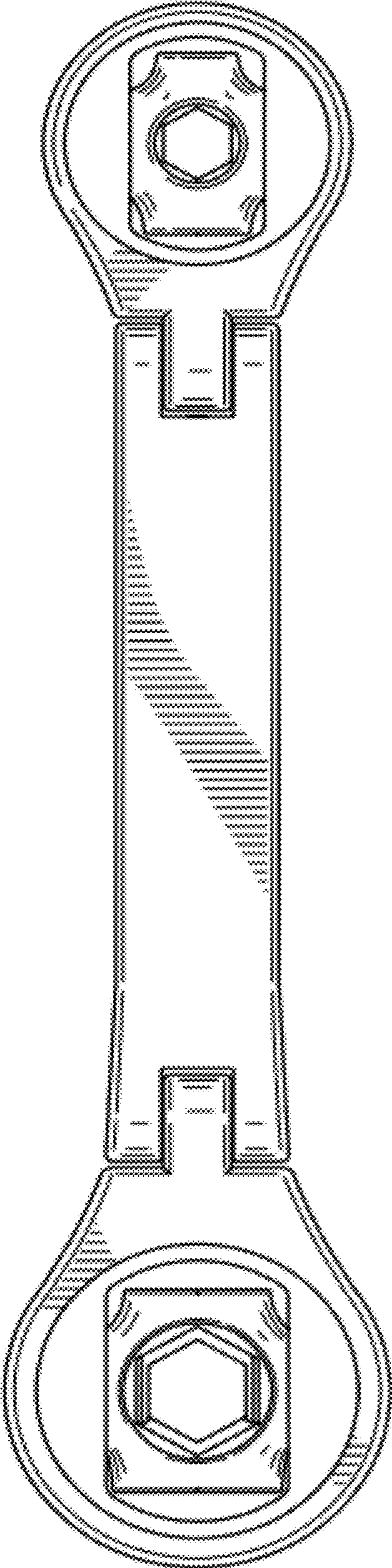


FIG. 2

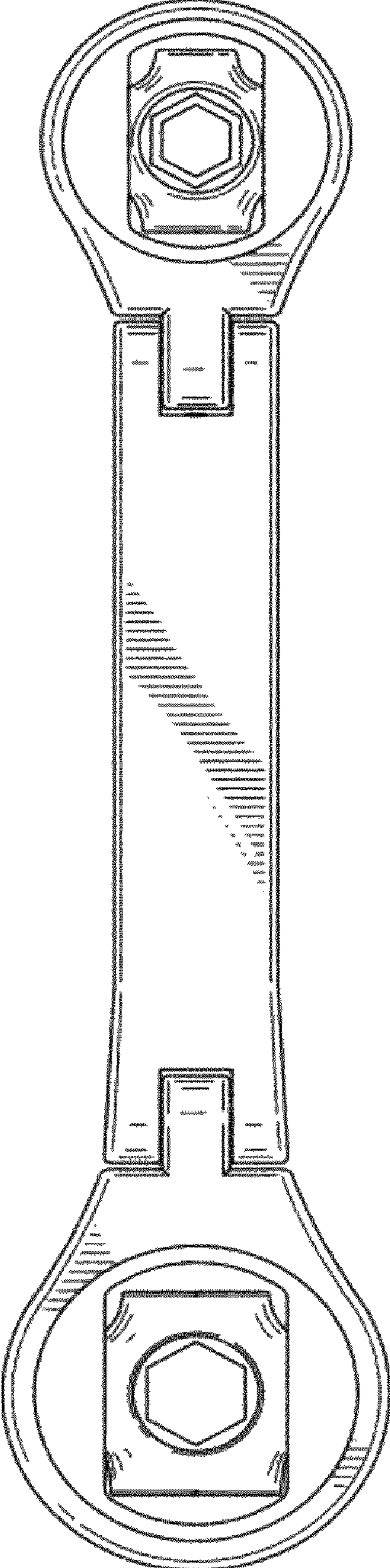


FIG. 3

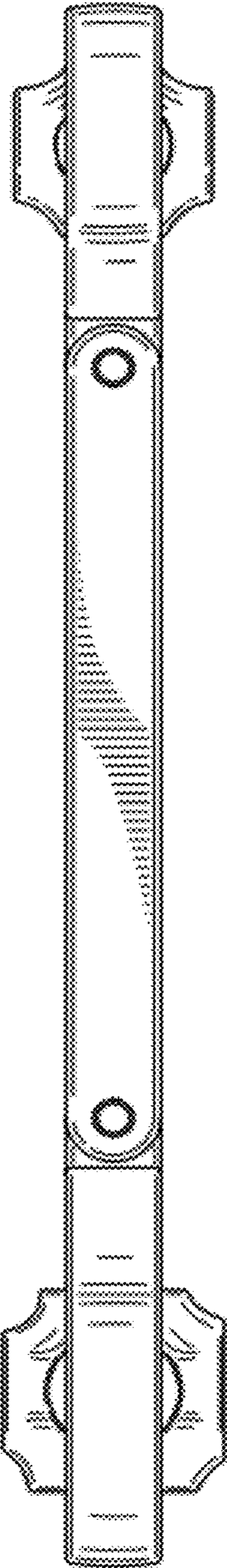


FIG. 4

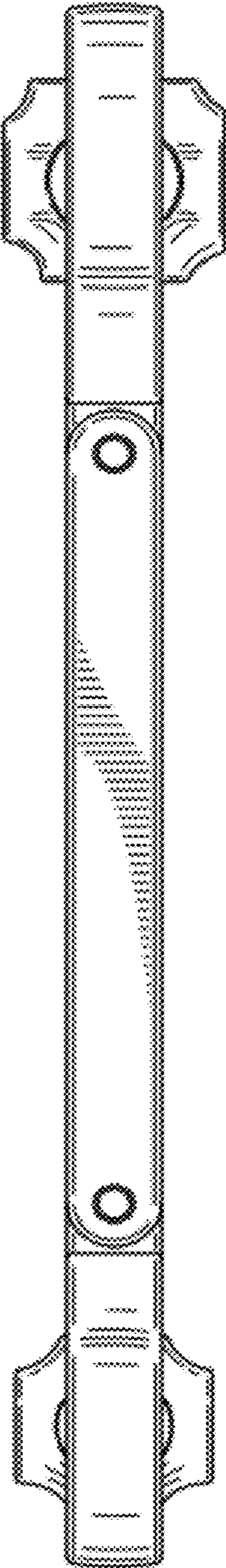


FIG. 5

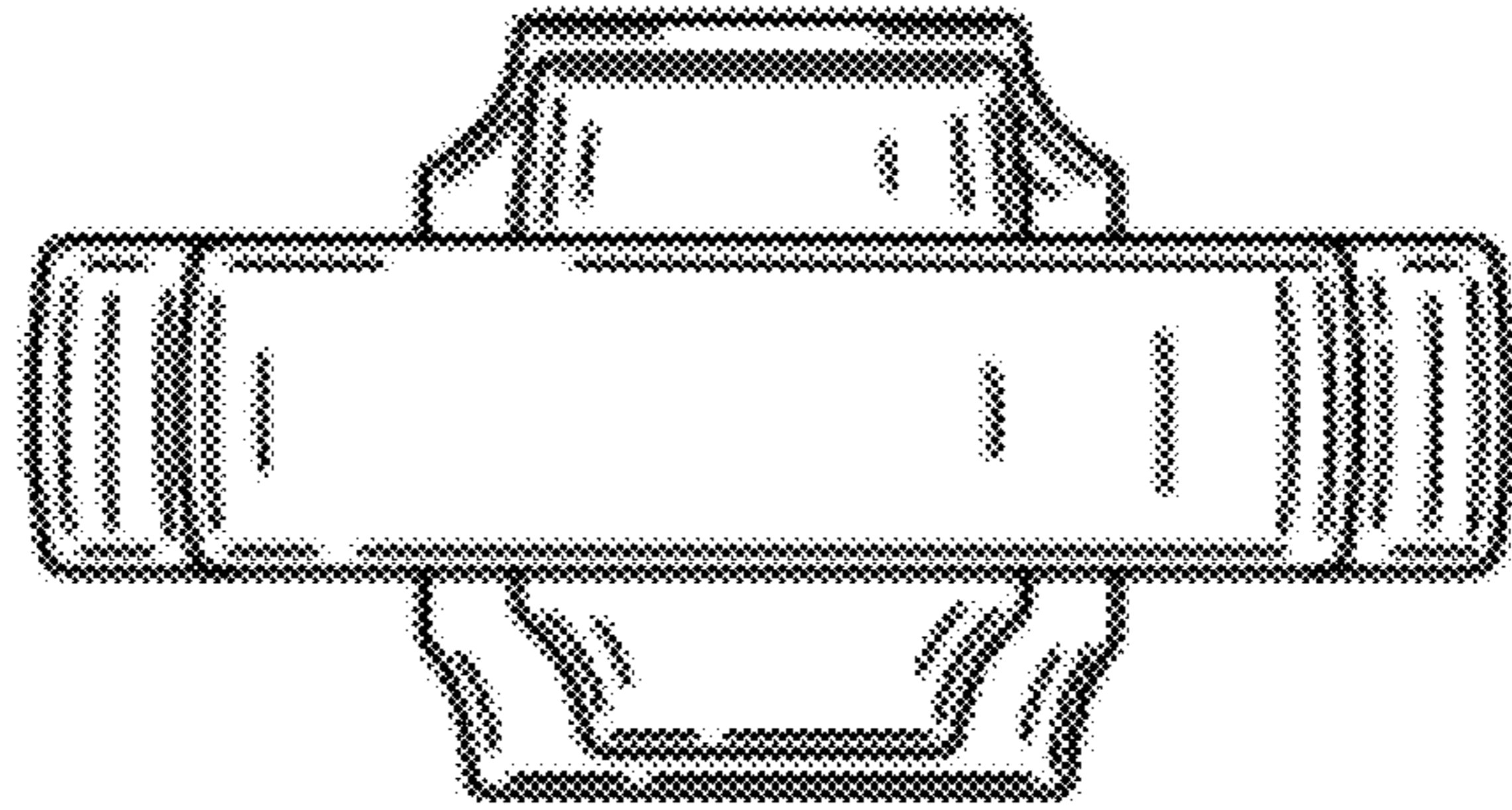


FIG. 6

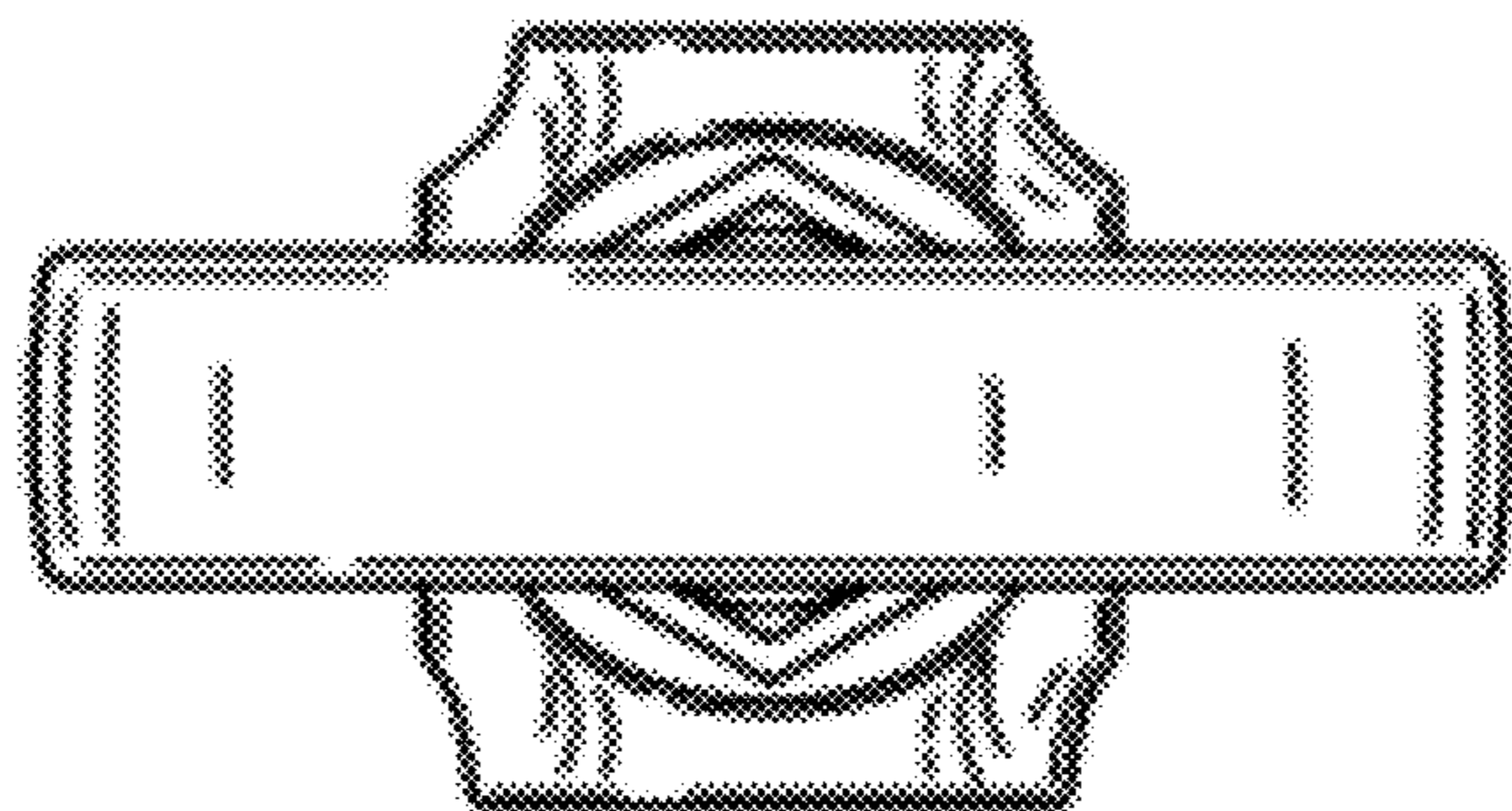


FIG. 7

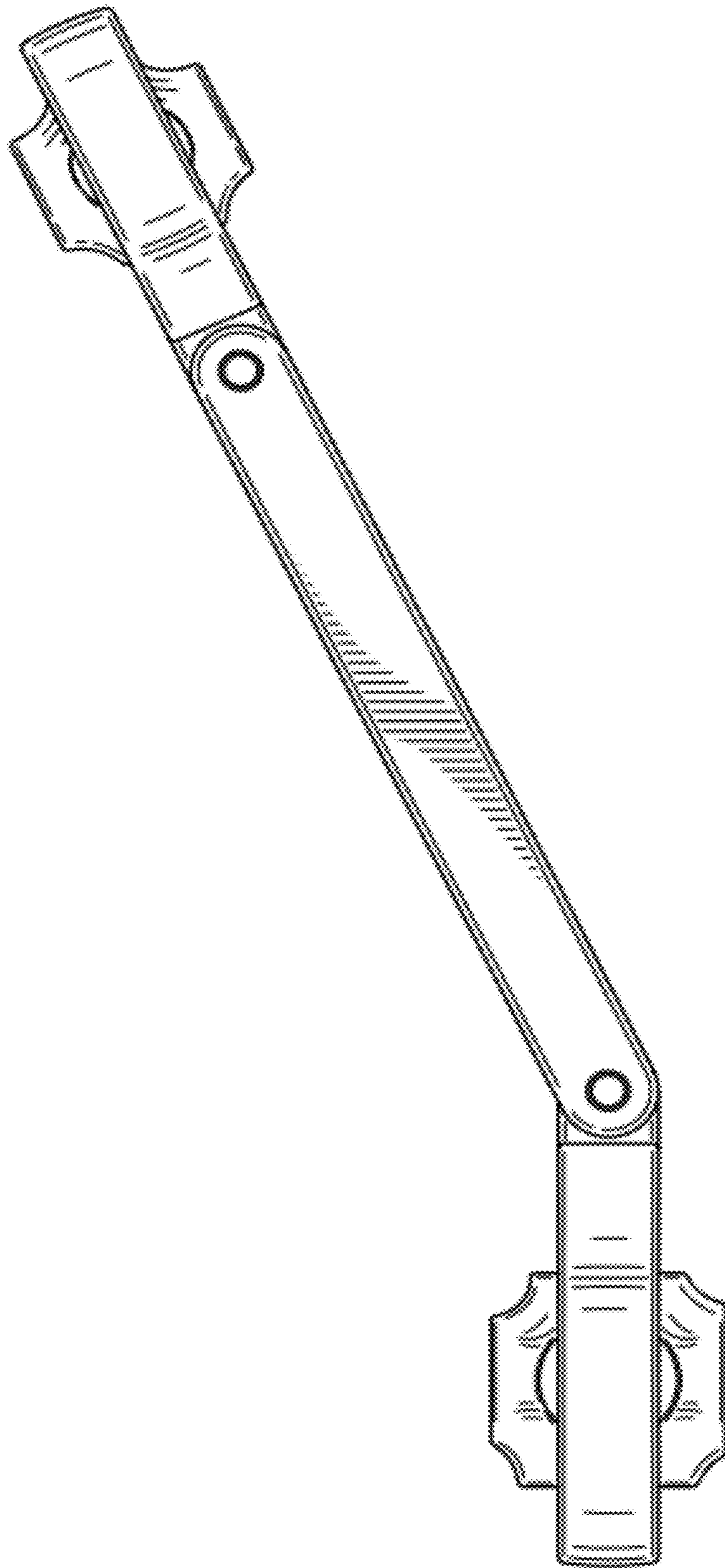


FIG. 8

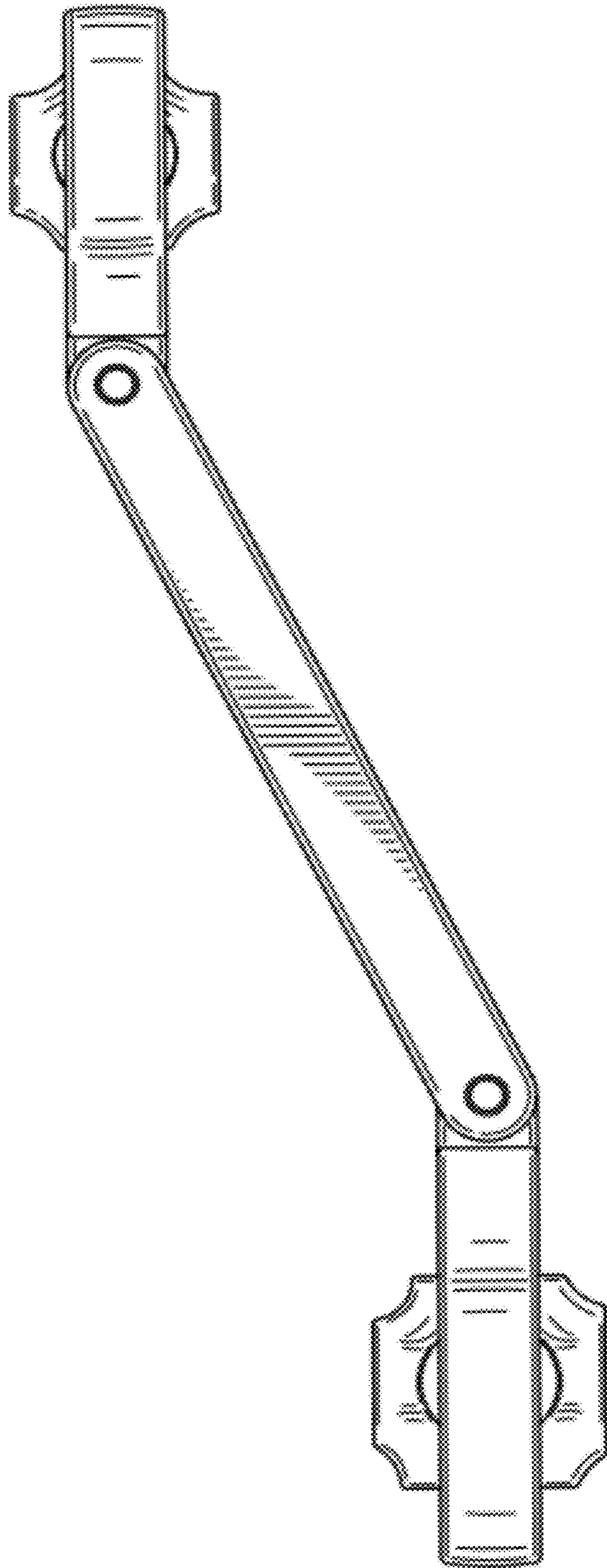


FIG. 9