



US00D658458S

(12) **United States Design Patent**  
**Seabrooks**

(10) **Patent No.:** **US D658,458 S**

(45) **Date of Patent:** **\*\* May 1, 2012**

(54) **CAP FOR A CAULK GUN CARTRIDGE**

(76) Inventor: **Jeff Seabrooks**, Reynoldsburg, OH (US)

(\*\*) Term: **14 Years**

(21) Appl. No.: **29/385,041**

(22) Filed: **Feb. 8, 2011**

(51) **LOC (9) Cl.** ..... **08-05**

(52) **U.S. Cl.** ..... **D8/14.1**

(58) **Field of Classification Search** ..... D8/14.1;

222/92, 105, 145.1, 160, 324-327, 386, 391,

222/525, 566-569, 572, 575, 148; 74/141.5

See application file for complete search history.

(56) **References Cited**

U.S. PATENT DOCUMENTS

3,430,815 A \* 3/1969 Weimer et al. .... 222/105

5,104,016 A \* 4/1992 Runkel ..... 222/175

5,758,802 A \* 6/1998 Wallays ..... 222/568

6,679,439 B2 \* 1/2004 Duqueroie ..... 222/92

2009/0120970 A1 \* 5/2009 Eighmie ..... 222/568

\* cited by examiner

*Primary Examiner* — Antoine D Davis

(74) *Attorney, Agent, or Firm* — Roger A. Gilcrest

(57) **CLAIM**

The ornamental design for a cap for a caulk gun cartridge, as shown and described.

**DESCRIPTION**

FIG. 1 is an upper perspective view of the subject cap;

FIG. 2 is a lower perspective view of the subject cap;

FIG. 3 is a top plan view of the subject cap;

FIG. 4 is a first side elevation view of the subject cap, the reverse of which is identical thereto;

FIG. 5 is a second side elevation view of the subject cap, the reverse of which is identical thereto;

FIG. 6 is a bottom plan view of the subject cap;

FIG. 7 is an environmental perspective view of the subject cap shown in a first position attached to a caulk gun cartridge, depicted in phantom and which forms no part of the claimed design;

FIG. 8 is an environmental perspective view of the subject cap shown in a second position above a caulk gun cartridge, depicted in phantom and which forms no part of the claimed design;

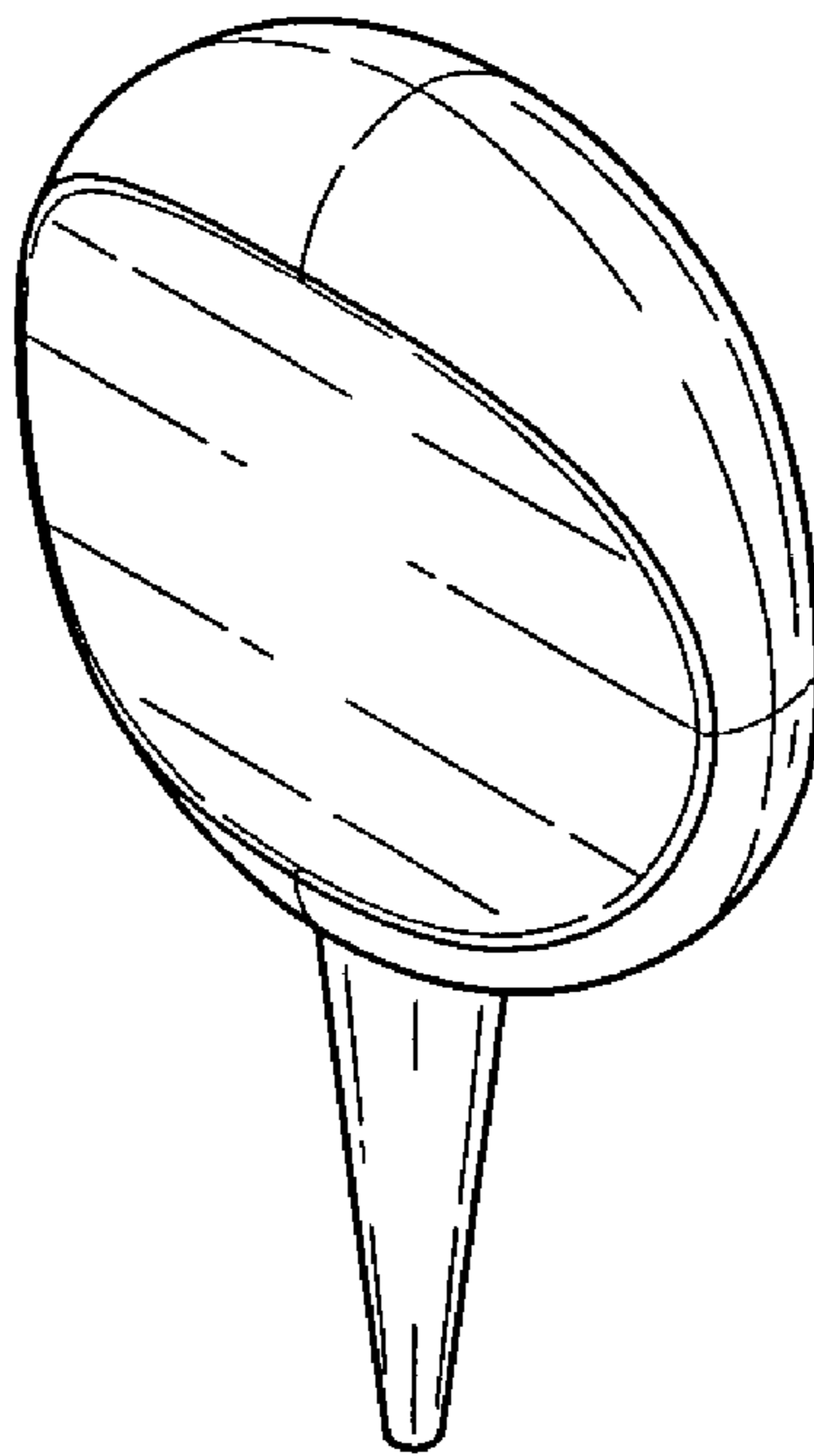
FIG. 9 is an environmental perspective view of the subject cap shown in a third position inserted into a caulk gun cartridge, depicted in phantom and which forms no part of the claimed design;

FIG. 10 is an environmental perspective view of the subject cap shown in a first position aside a caulk gun cartridge, depicted in phantom and which forms no part of the claimed design;

FIG. 11 is an environmental perspective view of the subject cap shown in a second position as it is being attached to a caulk gun cartridge, depicted in phantom and which forms no part of the claimed design; and,

FIG. 12 is an environmental perspective view of the subject cap shown in a third position attached to a caulk gun cartridge, depicted in phantom and which forms no part of the claimed design.

**1 Claim, 3 Drawing Sheets**



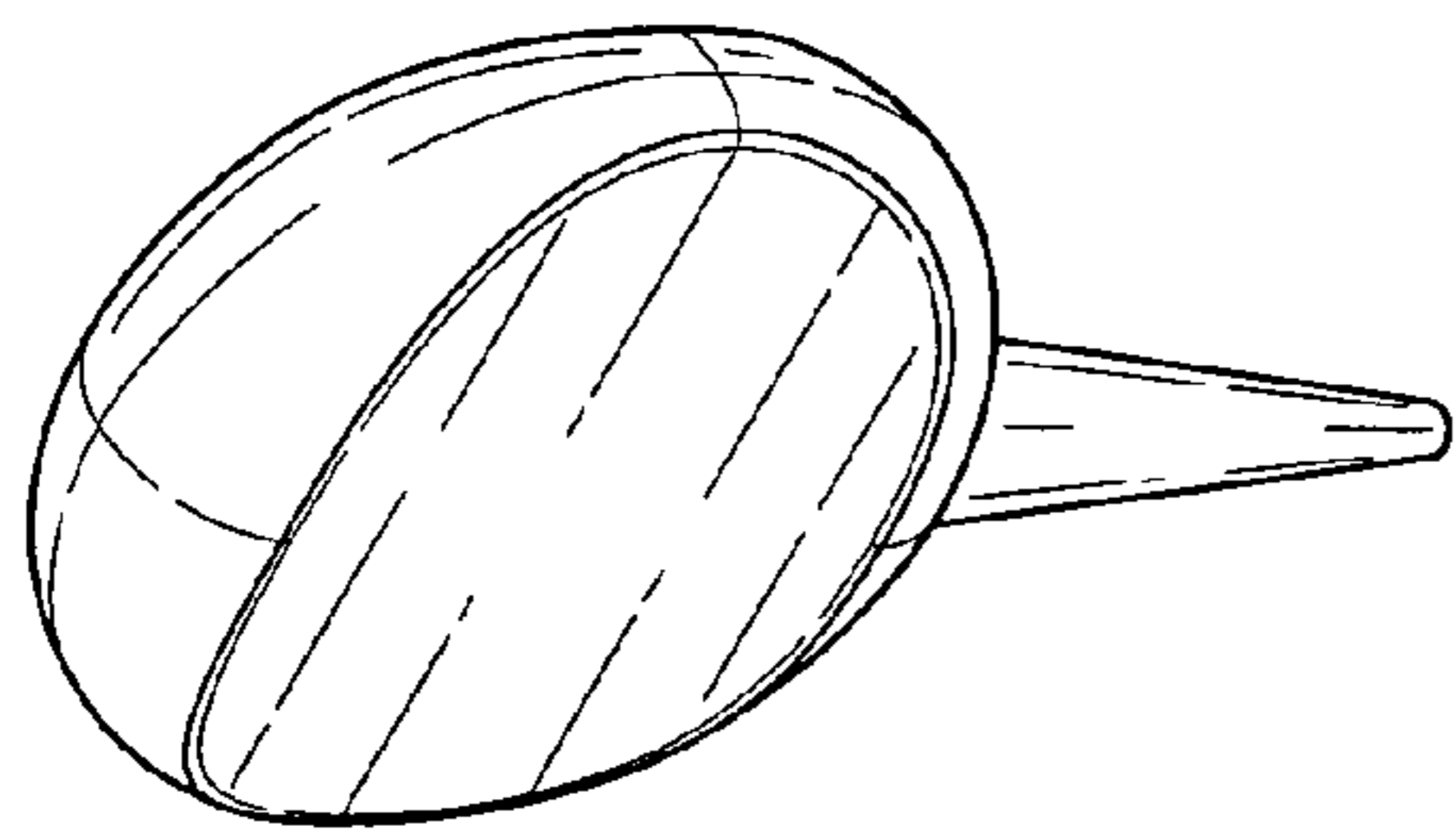


FIG-1

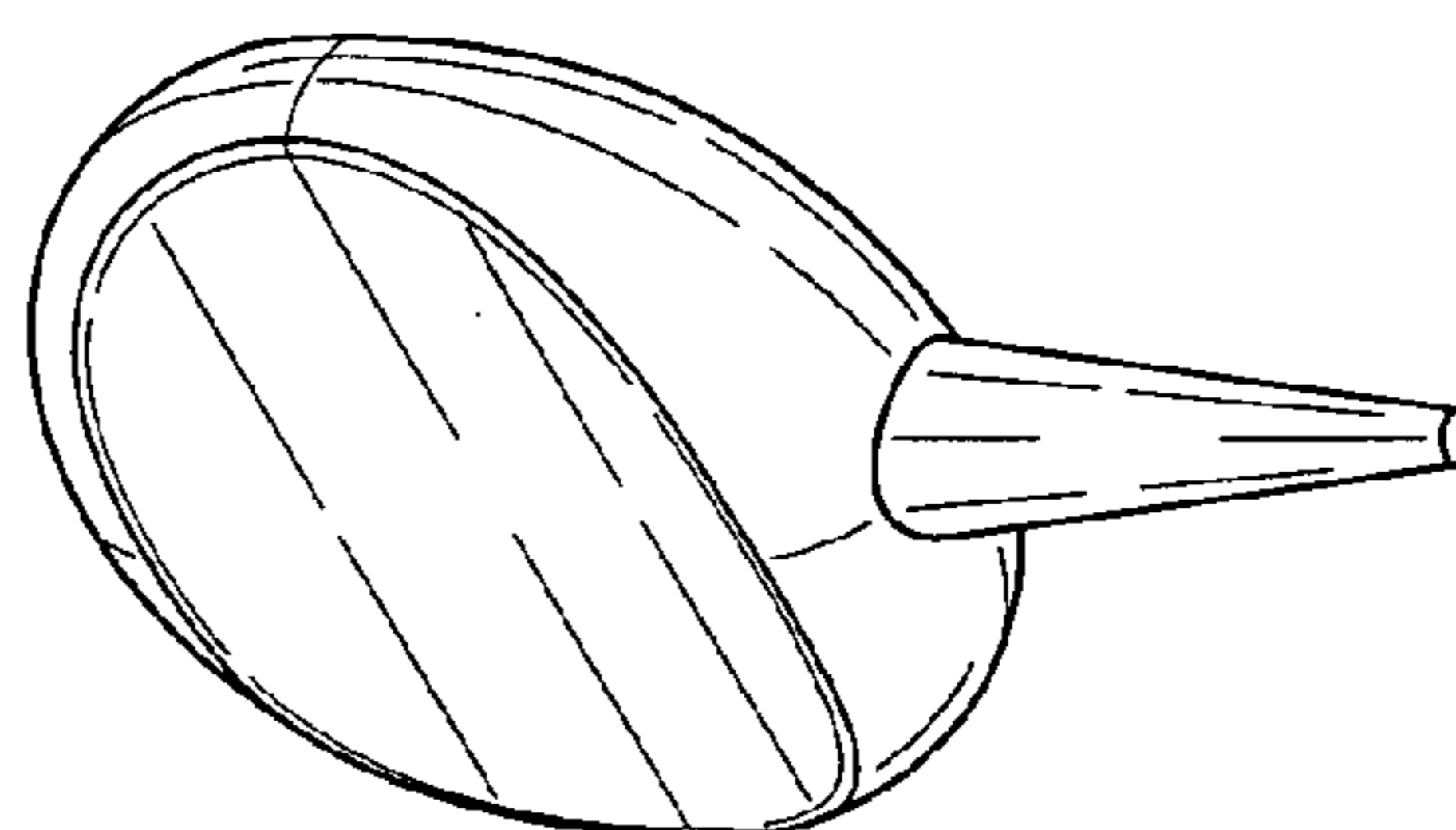


FIG-2

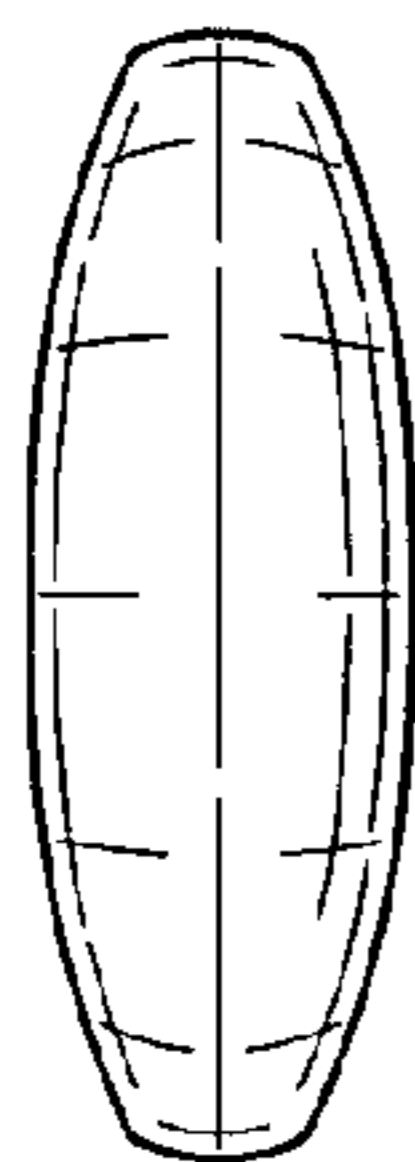


FIG-3

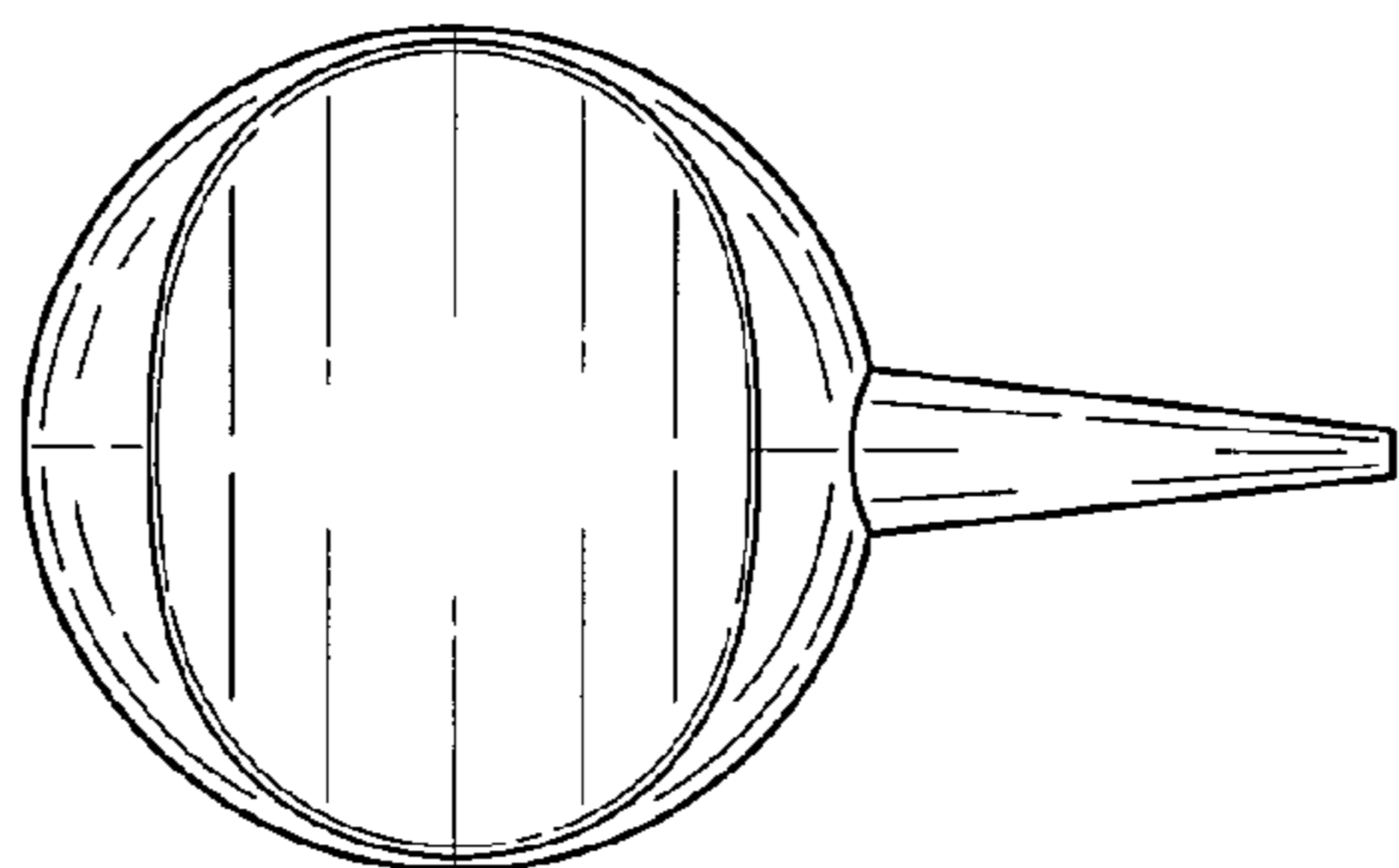


FIG-4

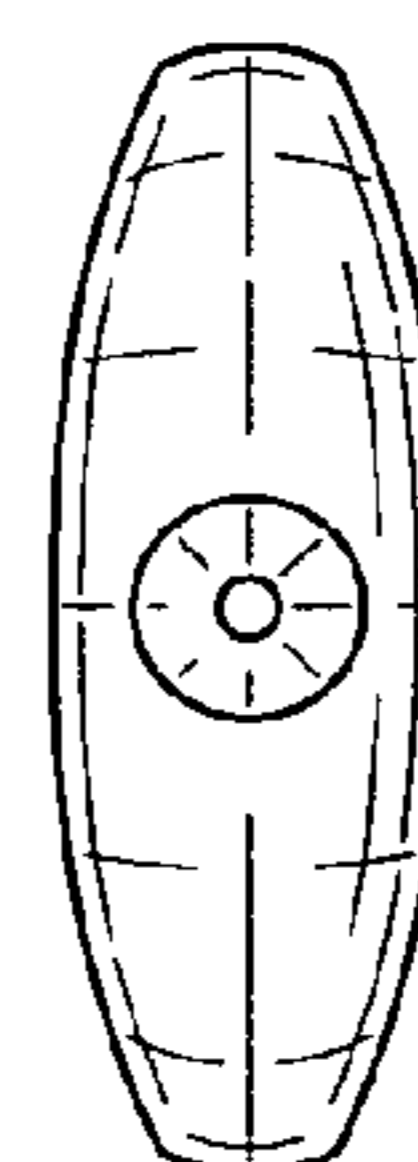


FIG-6

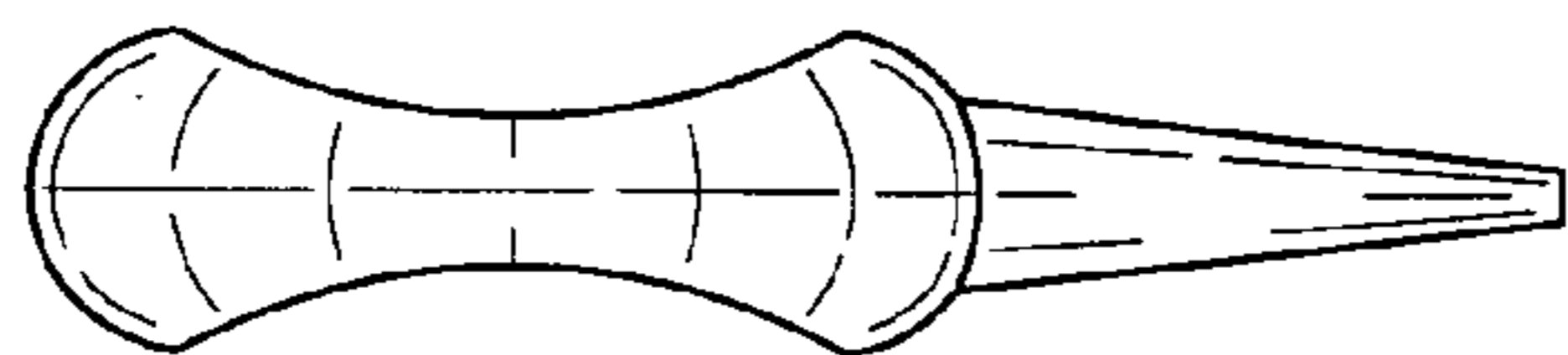


FIG-5

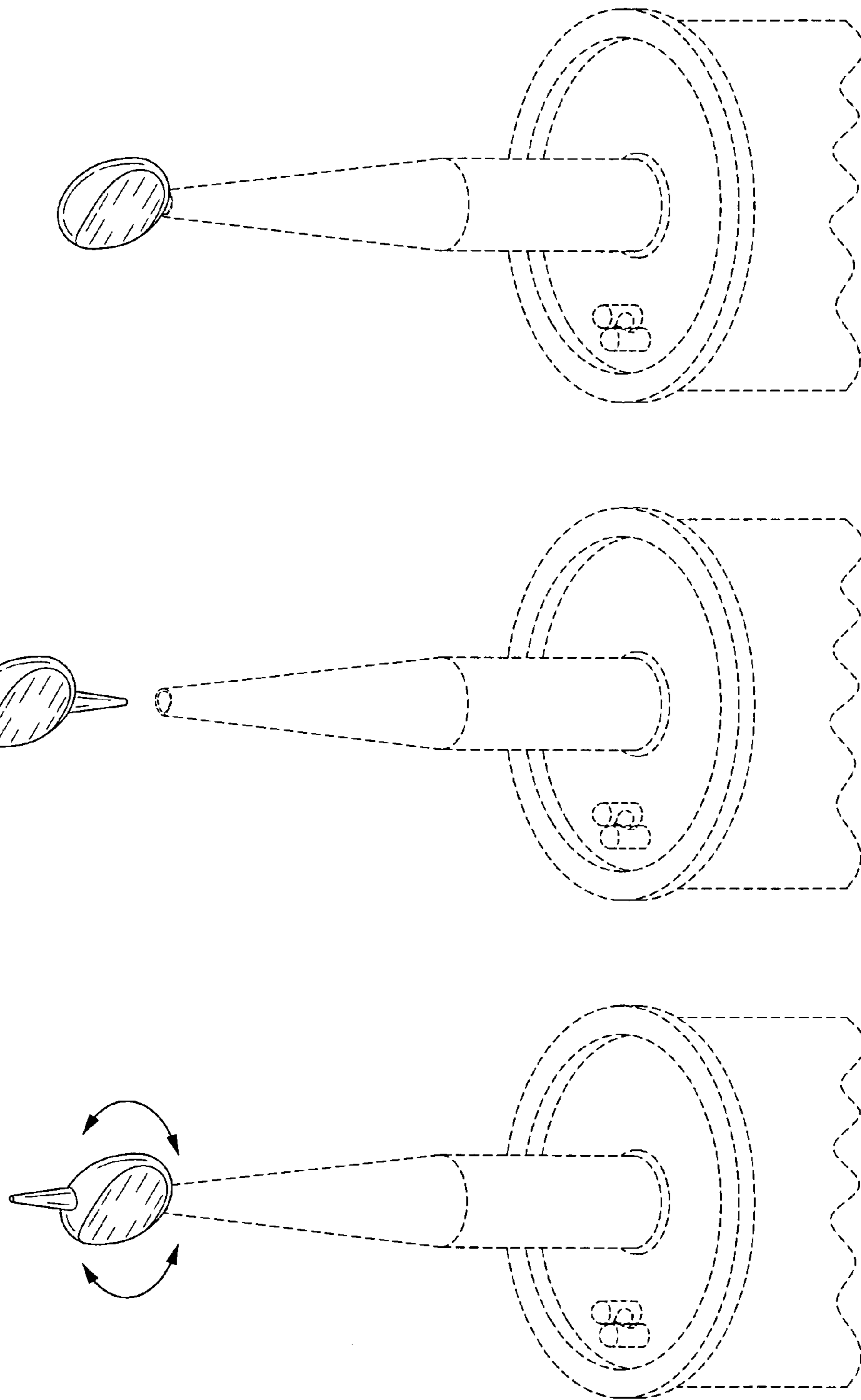


FIG - 9

FIG - 8

FIG - 7

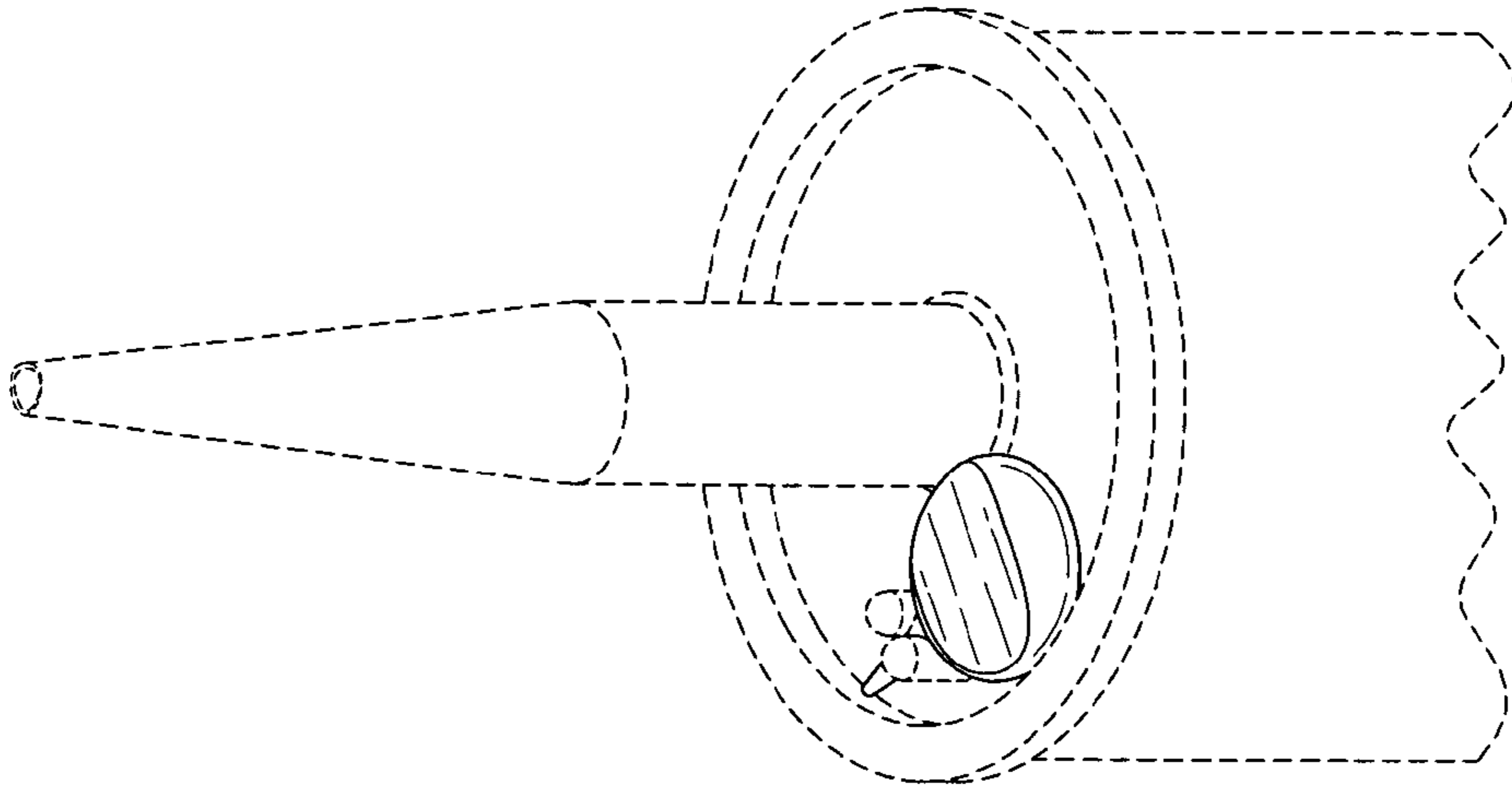


FIG - 10

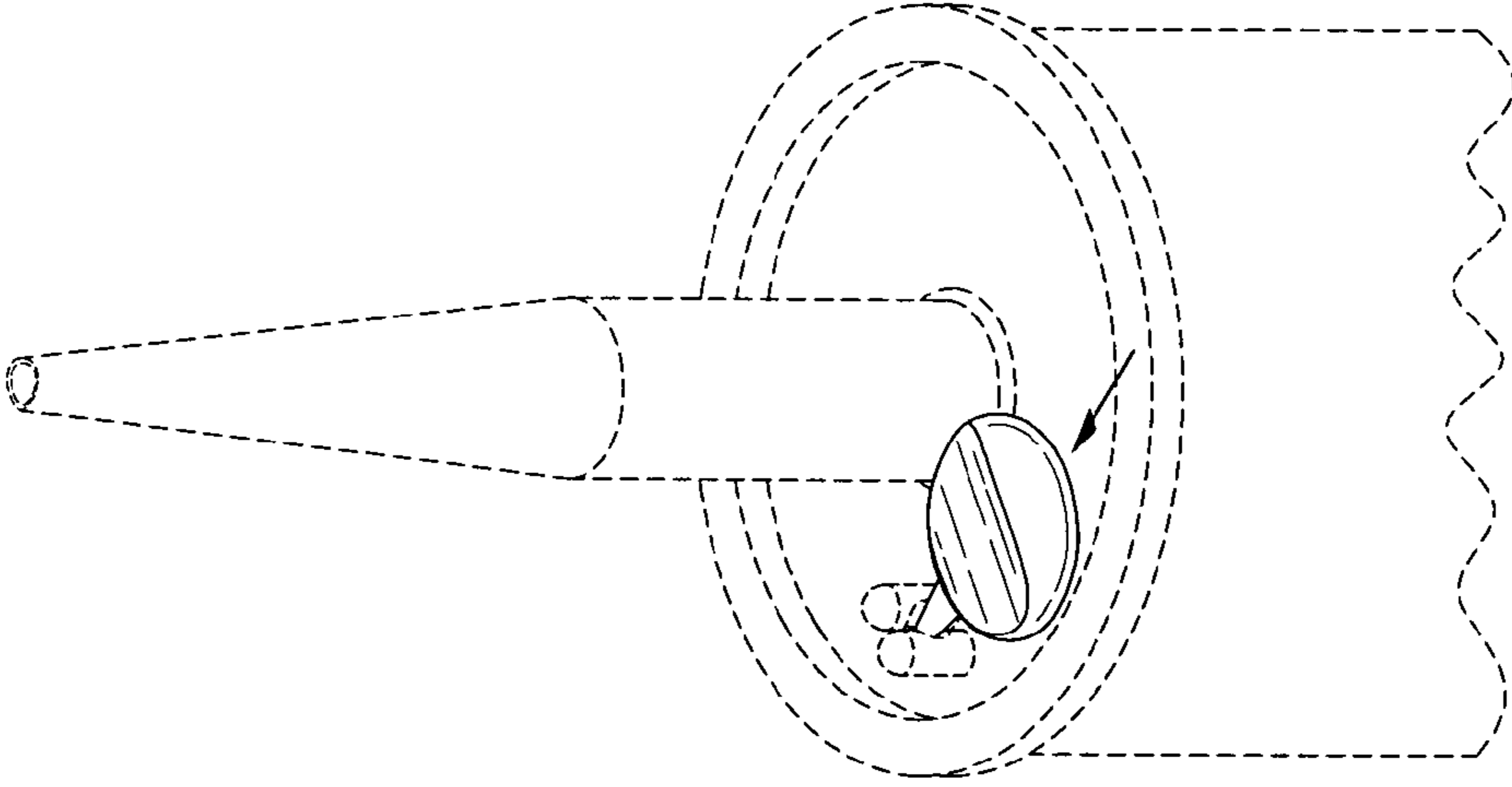


FIG - 11

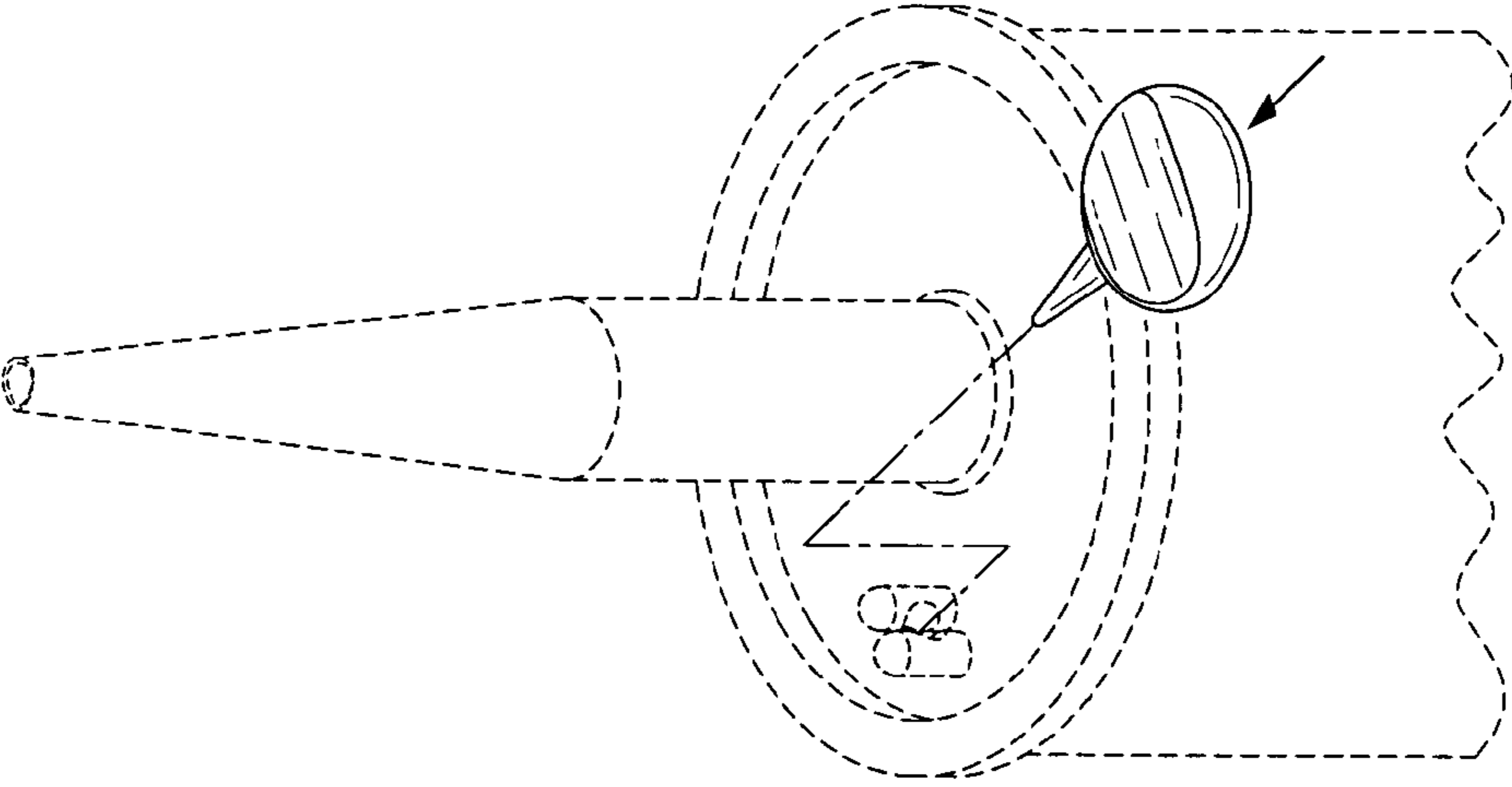


FIG - 12