



US00D658457S

(12) **United States Design Patent**
Cloutier et al.

(10) **Patent No.:** **US D658,457 S**

(45) **Date of Patent:** **** May 1, 2012**

(54) **SQUEEZE SERVE FORK**

(75) Inventors: **Andre Dean Cloutier**, Blaine, WA (US);
Hin Chung Fung, Kowloon (HK)

(73) Assignee: **Magellan Group Ltd.**, Blaine, WA (US)

(**) Term: **14 Years**

(21) Appl. No.: **29/396,311**

(22) Filed: **Jun. 28, 2011**

(51) **LOC (9) Cl.** **07-06**

(52) **U.S. Cl.** **D7/683**

(58) **Field of Classification Search** D7/680-696,
D7/393, 395; 30/129, 322, 323; 294/99.1,
294/99.2, 118, 119

See application file for complete search history.

(56) **References Cited**

U.S. PATENT DOCUMENTS

1,432,108	A *	10/1922	Johnson	30/129
2,783,535	A *	3/1957	Cesare	30/129
3,602,541	A *	8/1971	Sharpe	294/50
D402,860	S *	12/1998	Stills	D7/683

D421,880	S *	3/2000	Stills	D7/683
D423,304	S *	4/2000	Kontou et al.	D7/683
6,584,692	B1 *	7/2003	Stills et al.	30/129
D485,475	S *	1/2004	Wolf	D7/683
D518,338	S *	4/2006	Wolf	D7/683

* cited by examiner

Primary Examiner — Terry Wallace

(74) *Attorney, Agent, or Firm* — Dwayne E. Rogge; Hughes Law Firm, PLLC

(57) **CLAIM**

The ornamental design for a squeeze serve fork, as shown.

DESCRIPTION

FIG. 1 is an isometric view of a squeeze serve fork showing our new design.

FIG. 2 is a top view thereof.

FIG. 3 is a rear view thereof.

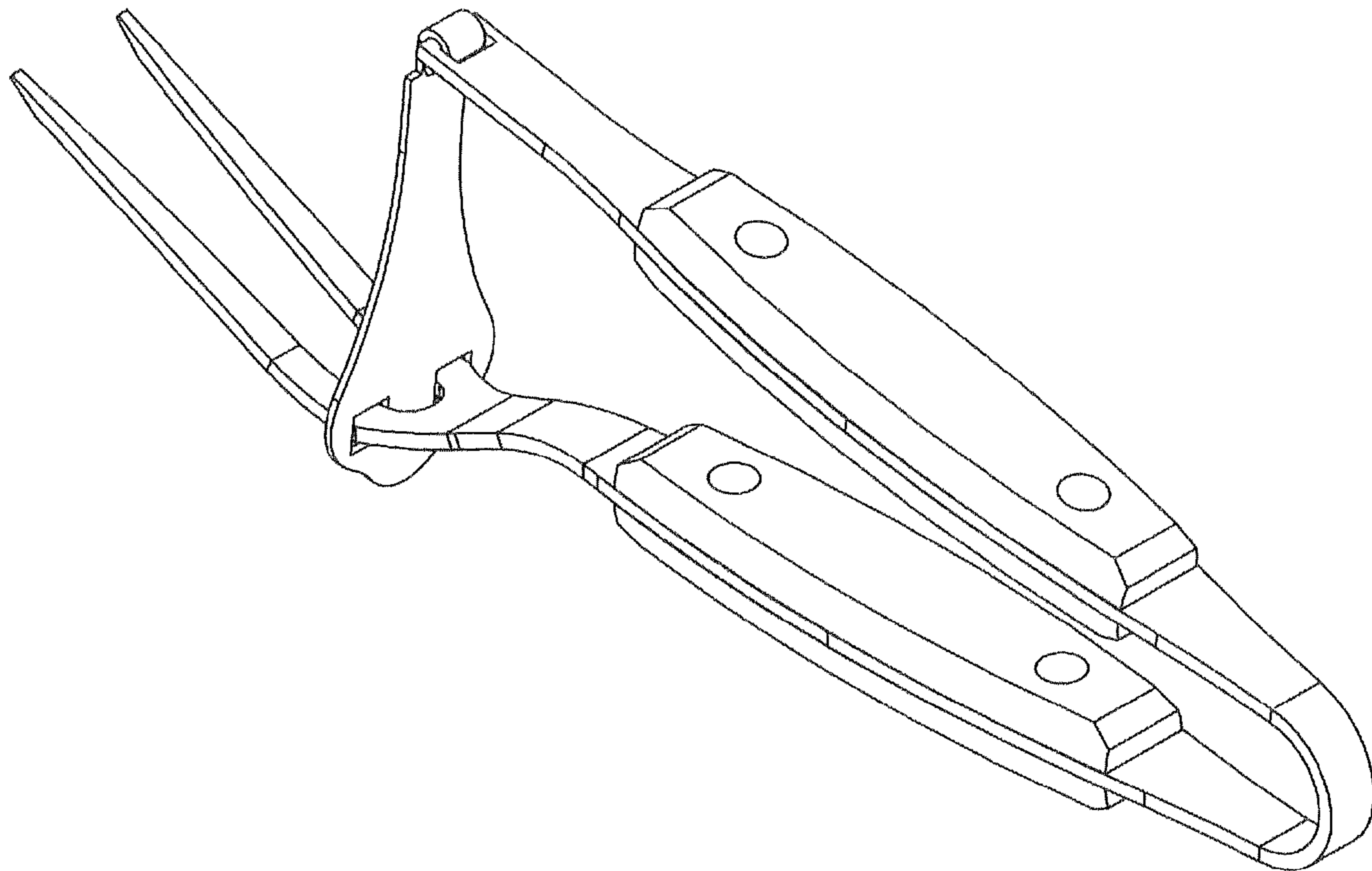
FIG. 4 is a left side view thereof.

FIG. 5 is a bottom view thereof.

FIG. 6 is a front view thereof; and,

FIG. 7 is a right side view thereof.

1 Claim, 7 Drawing Sheets



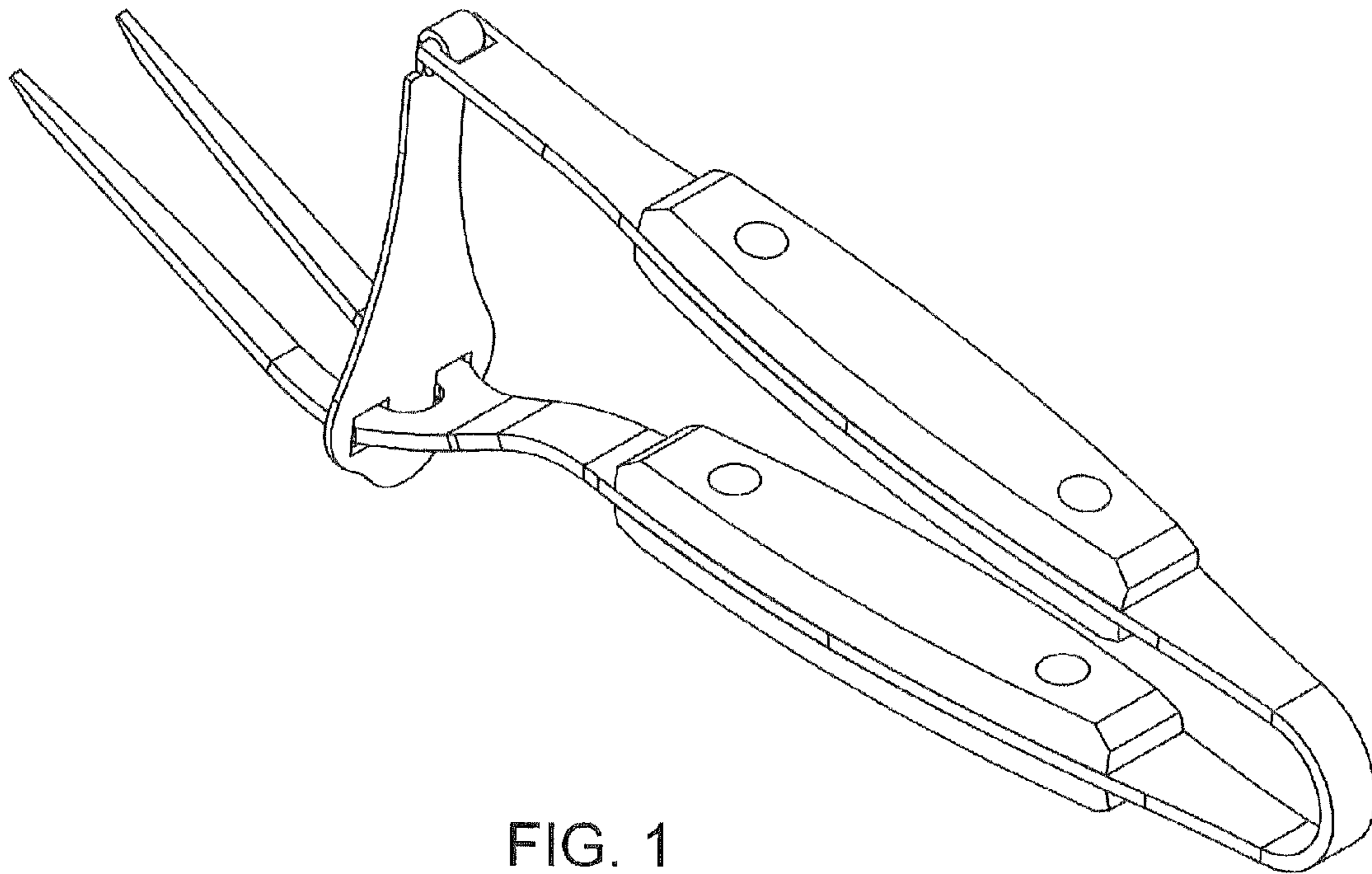


FIG. 1

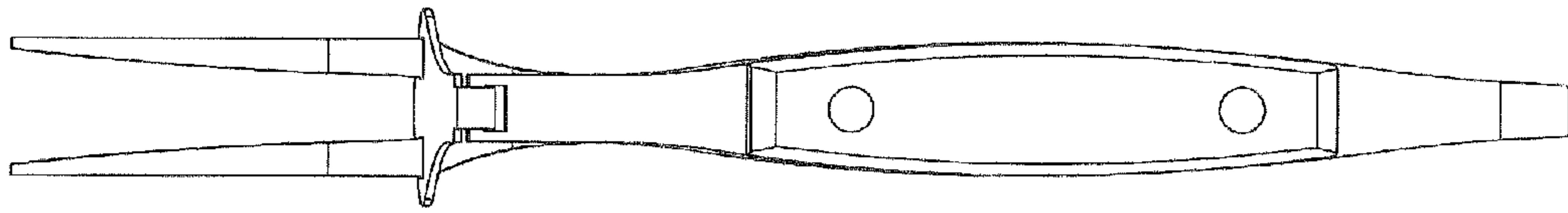


FIG. 2

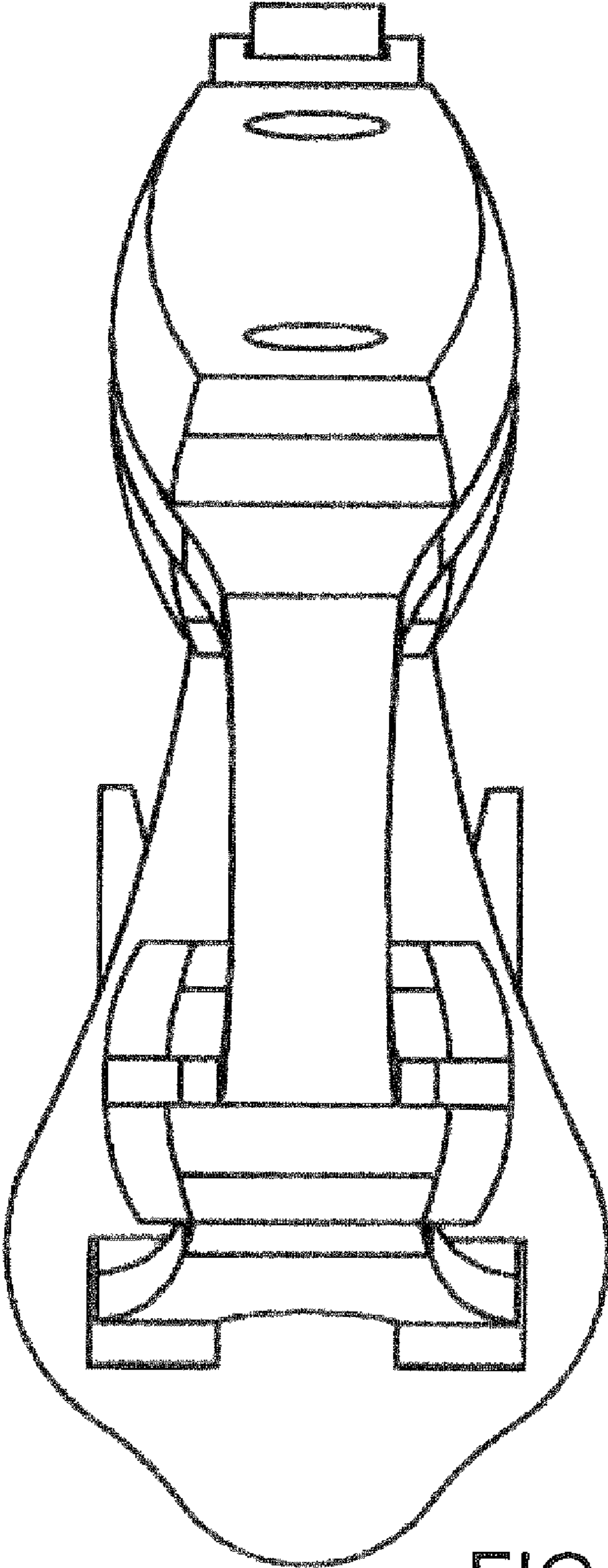


FIG. 3

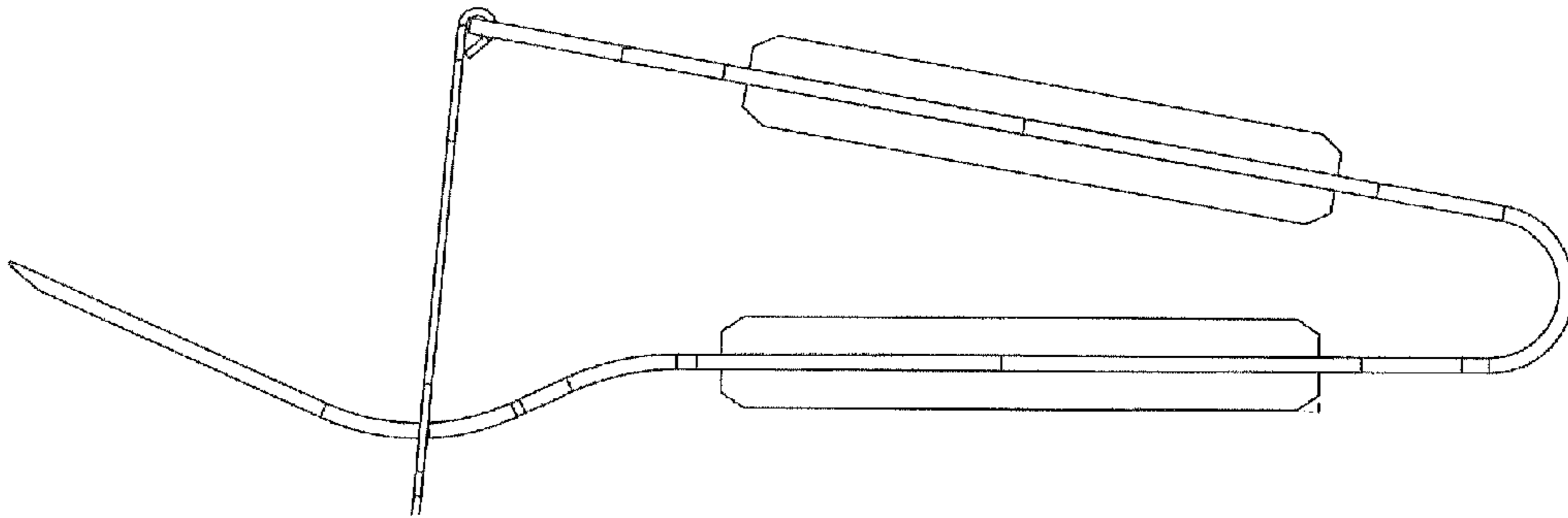


FIG 4

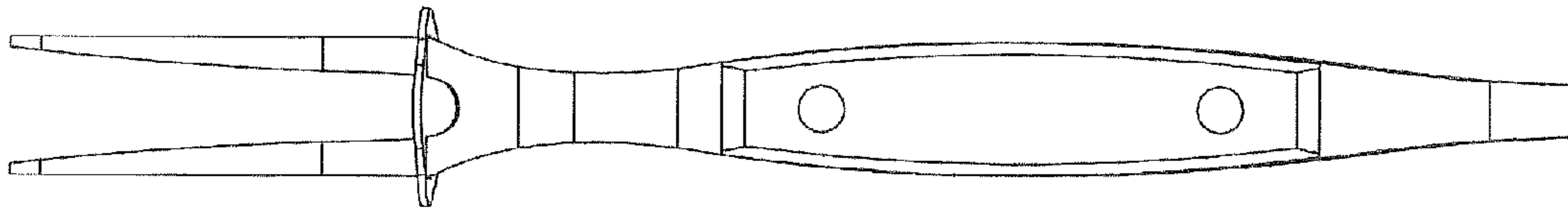


FIG. 5

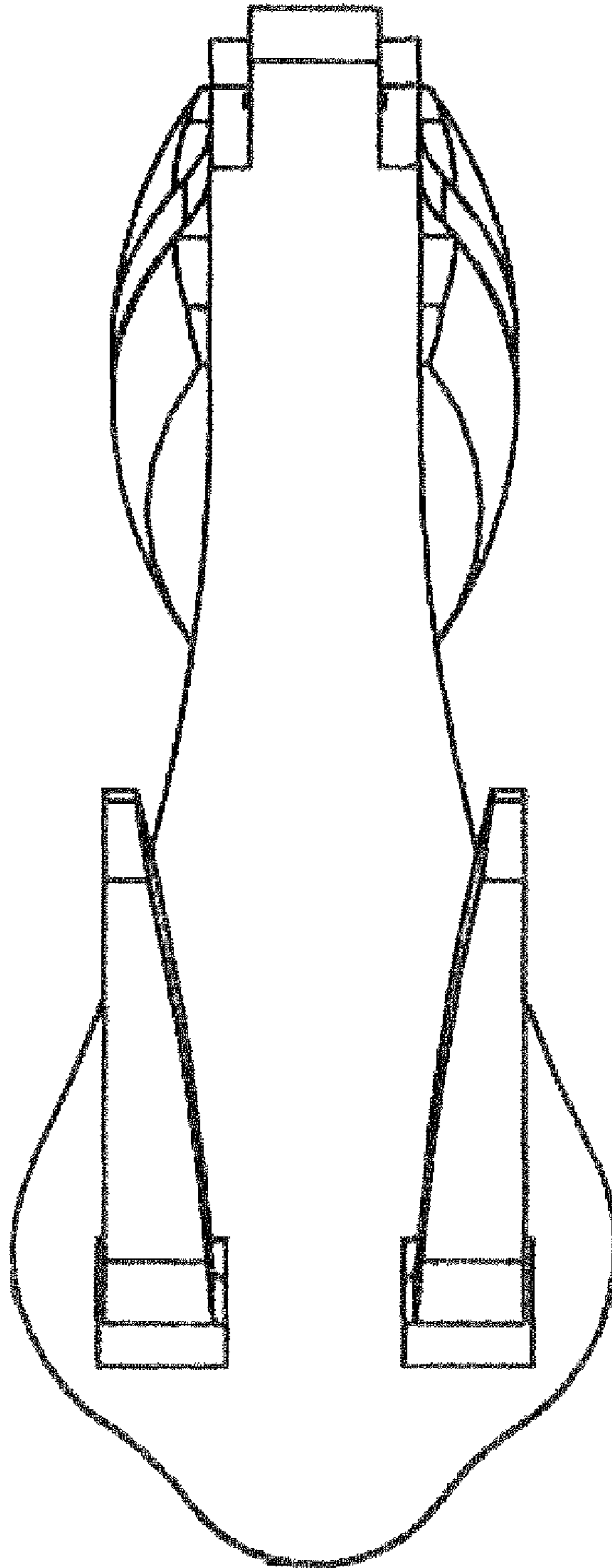


FIG. 6

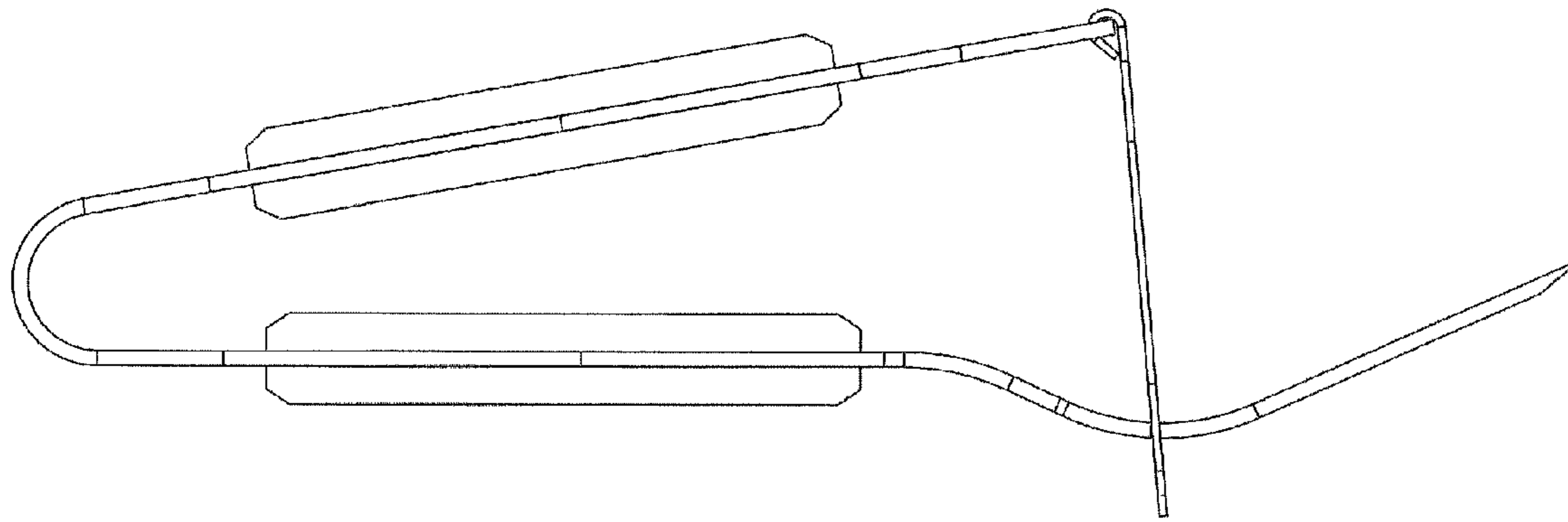


FIG. 7