



US00D658456S

(12) **United States Design Patent**
Zorovich et al.

(10) **Patent No.:** **US D658,456 S**

(45) **Date of Patent:** **** May 1, 2012**

(54) **COMESTIBLE MAKER**

(75) Inventors: **Kenneth D. Zorovich**, Hoboken, NJ (US); **Yos Kumthampinij**, Edgewater, NJ (US); **John C. Earle**, Annapolis, MD (US)

(73) Assignee: **Propeller, Inc.**, Hoboken, NJ (US)

(**) Term: **14 Years**

(21) Appl. No.: **29/379,784**

(22) Filed: **Nov. 24, 2010**

(51) **LOC (9) Cl.** **07-04**

(52) **U.S. Cl.** **D7/672**

(58) **Field of Classification Search** D7/672-677, D7/701-708, 555-557, 368, 669, 354; D1/101, D1/102, 105, 127; D15/90; 249/91, 92, 249/93, 121, 119, 133, 140; 294/87.11; 425/118, 425/126.2, DIG. 249

See application file for complete search history.

(56) **References Cited**

U.S. PATENT DOCUMENTS

1,505,592 A 8/1924 Epperson
1,987,945 A 1/1935 Schnaier
2,541,814 A 2/1951 Gaddini

2,591,261 A * 4/1952 Holahan 249/92
2,946,207 A * 7/1960 Hultstrum 249/92
3,780,536 A 12/1973 Fisherman et al.
4,239,175 A * 12/1980 Straubinger 249/92
4,352,830 A 10/1982 Billett et al.
4,688,398 A 8/1987 Baek
4,696,166 A 9/1987 Bukoschek et al.
5,354,191 A * 10/1994 Bobis 425/118
D592,911 S * 5/2009 Buchanan D7/605
D626,384 S 11/2010 Zorovich et al.
2010/0183789 A1 7/2010 Zorovich et al.

* cited by examiner

Primary Examiner — Terry Wallace

(74) *Attorney, Agent, or Firm* — Greenberg Traurig, LLP

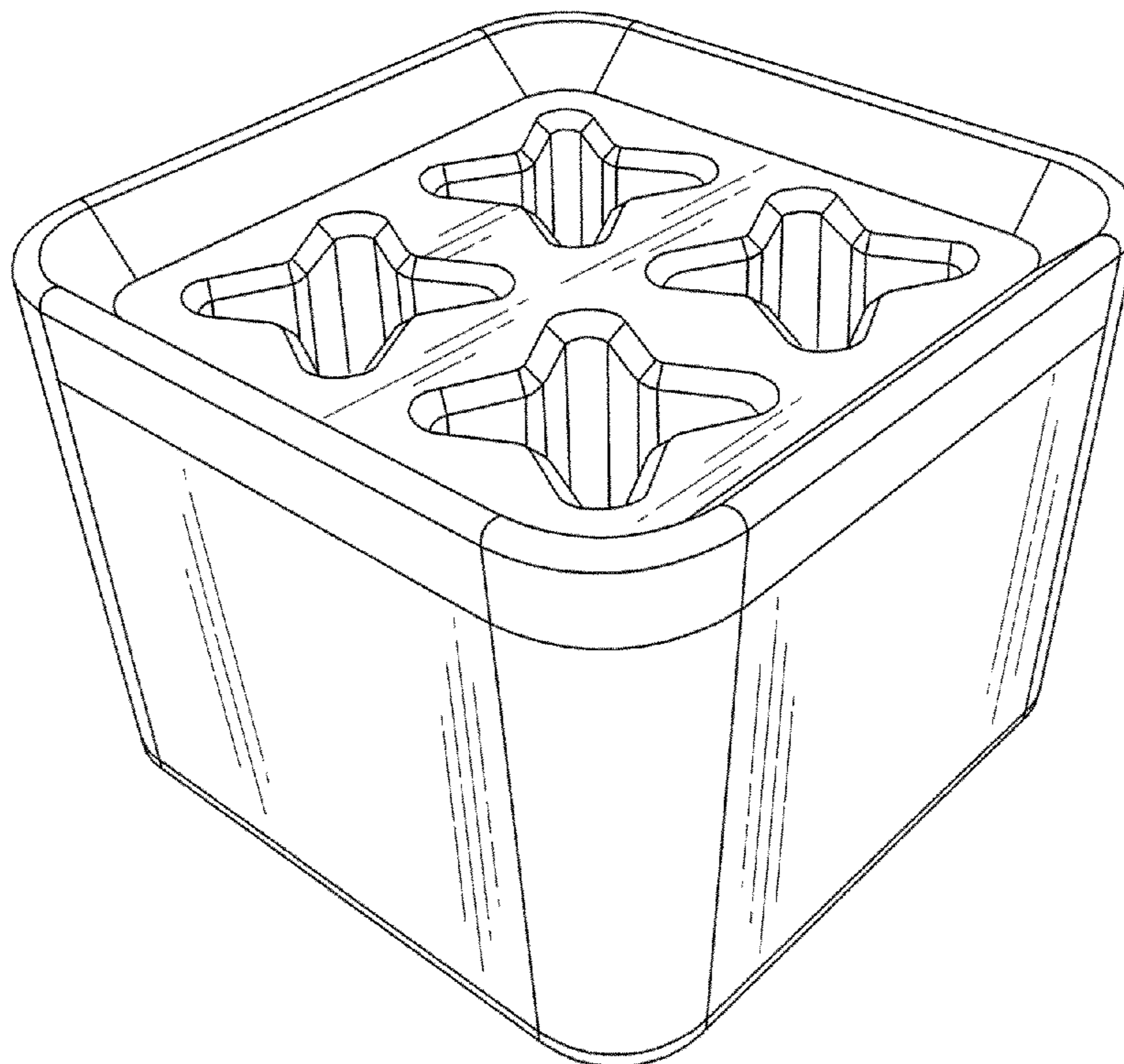
(57) **CLAIM**

The ornamental design for a comestible maker, as shown and described.

DESCRIPTION

FIG. 1 is a perspective view of a comestible maker showing our new design;
FIG. 2 is a front elevational view of the comestible maker shown in FIG. 1, the rear, left side, and right side elevational views being identical to FIG. 2;
FIG. 3 is a top plan view of the comestible maker shown in FIG. 1; and,
FIG. 4 is a bottom plan view of the comestible maker shown in FIG. 1.

1 Claim, 4 Drawing Sheets



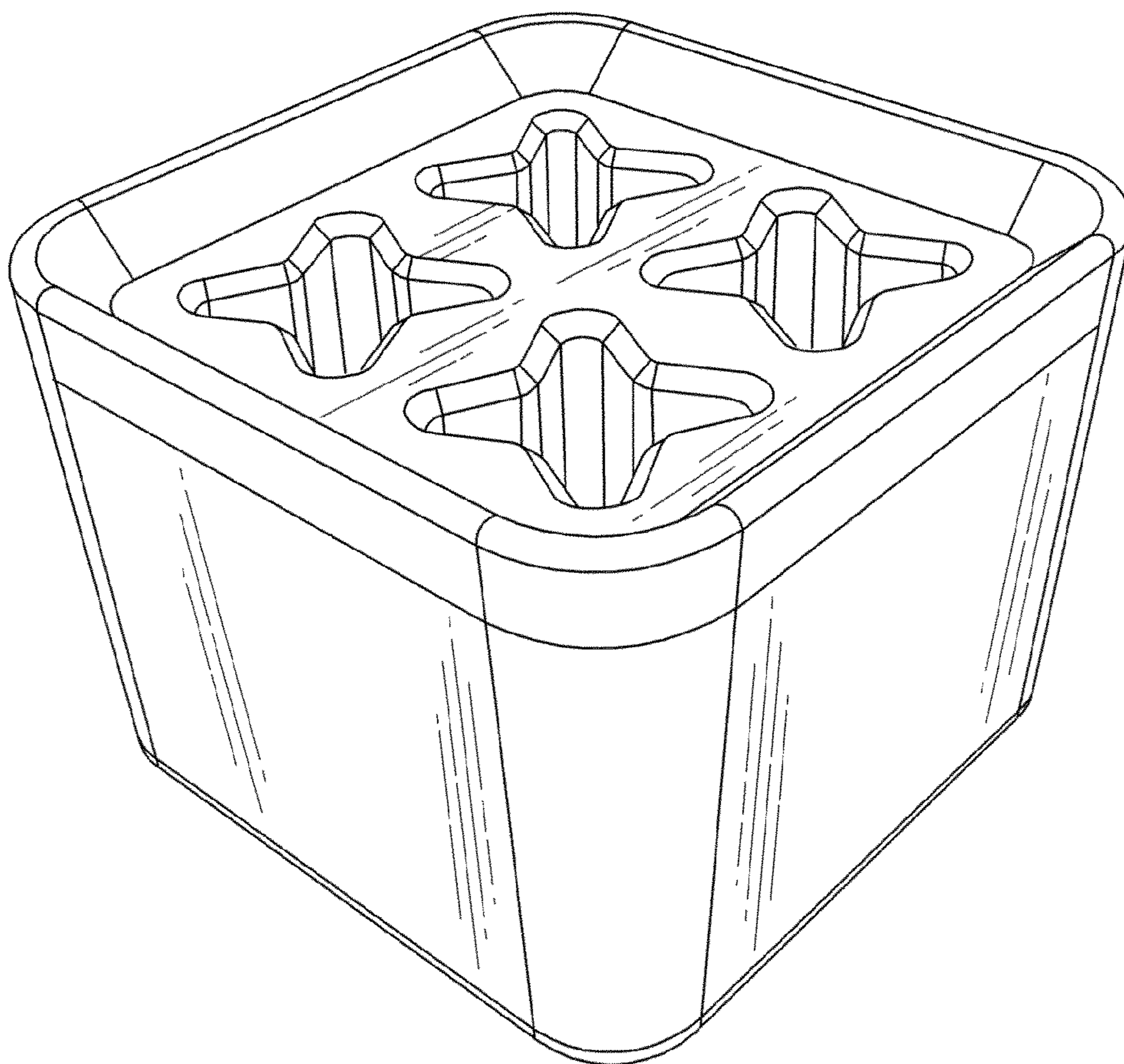


FIG. 1

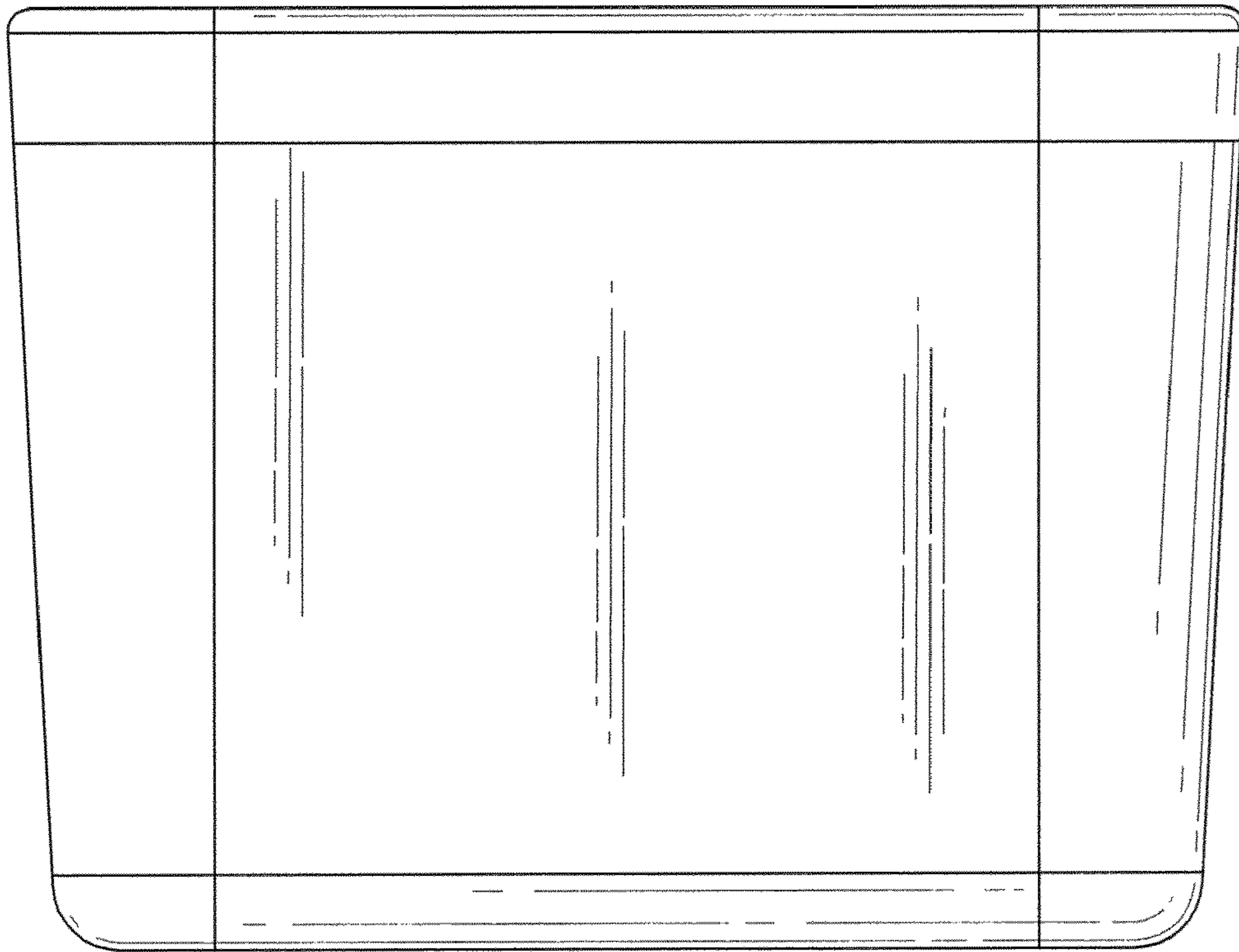


FIG. 2

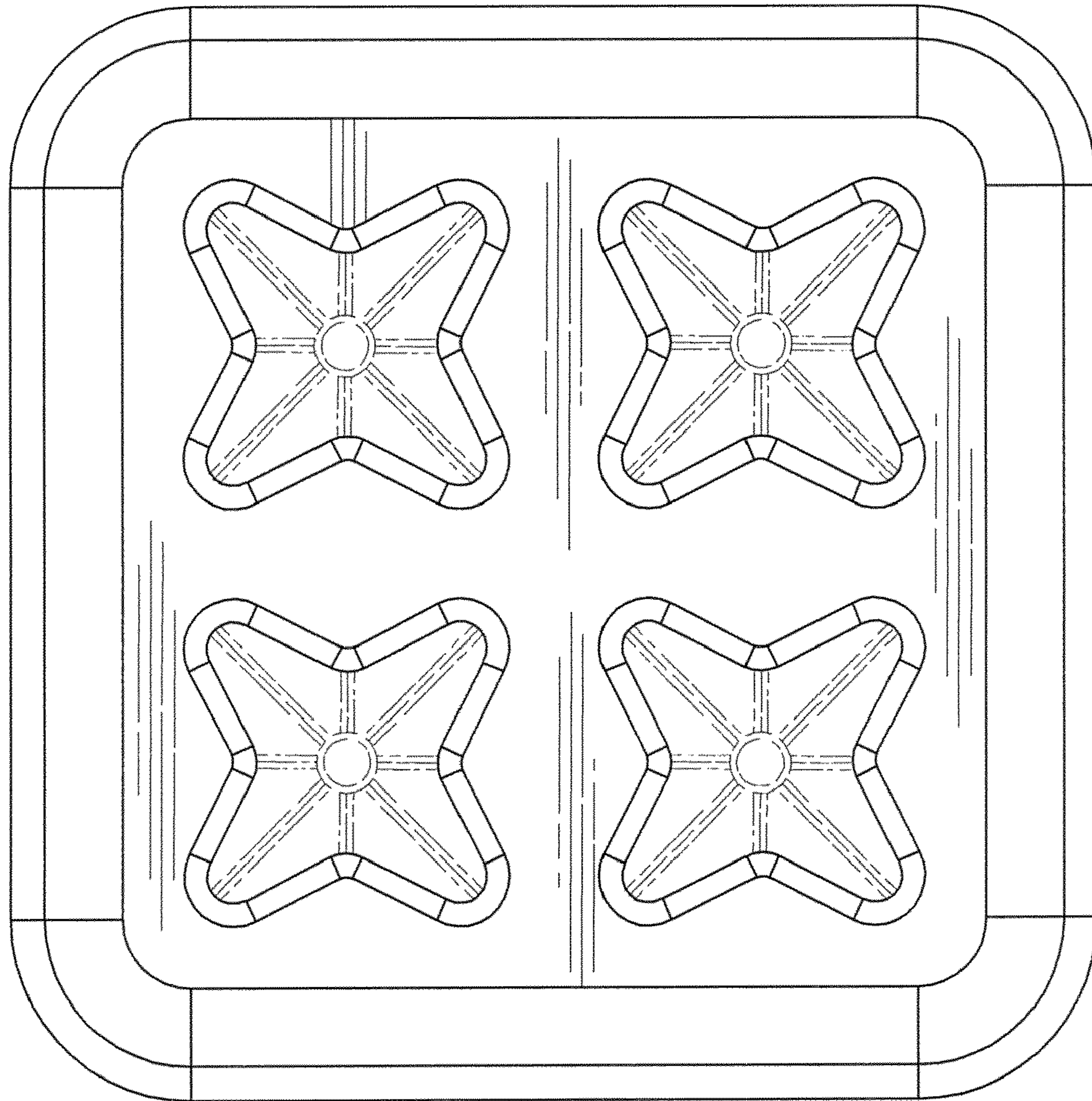


FIG. 3

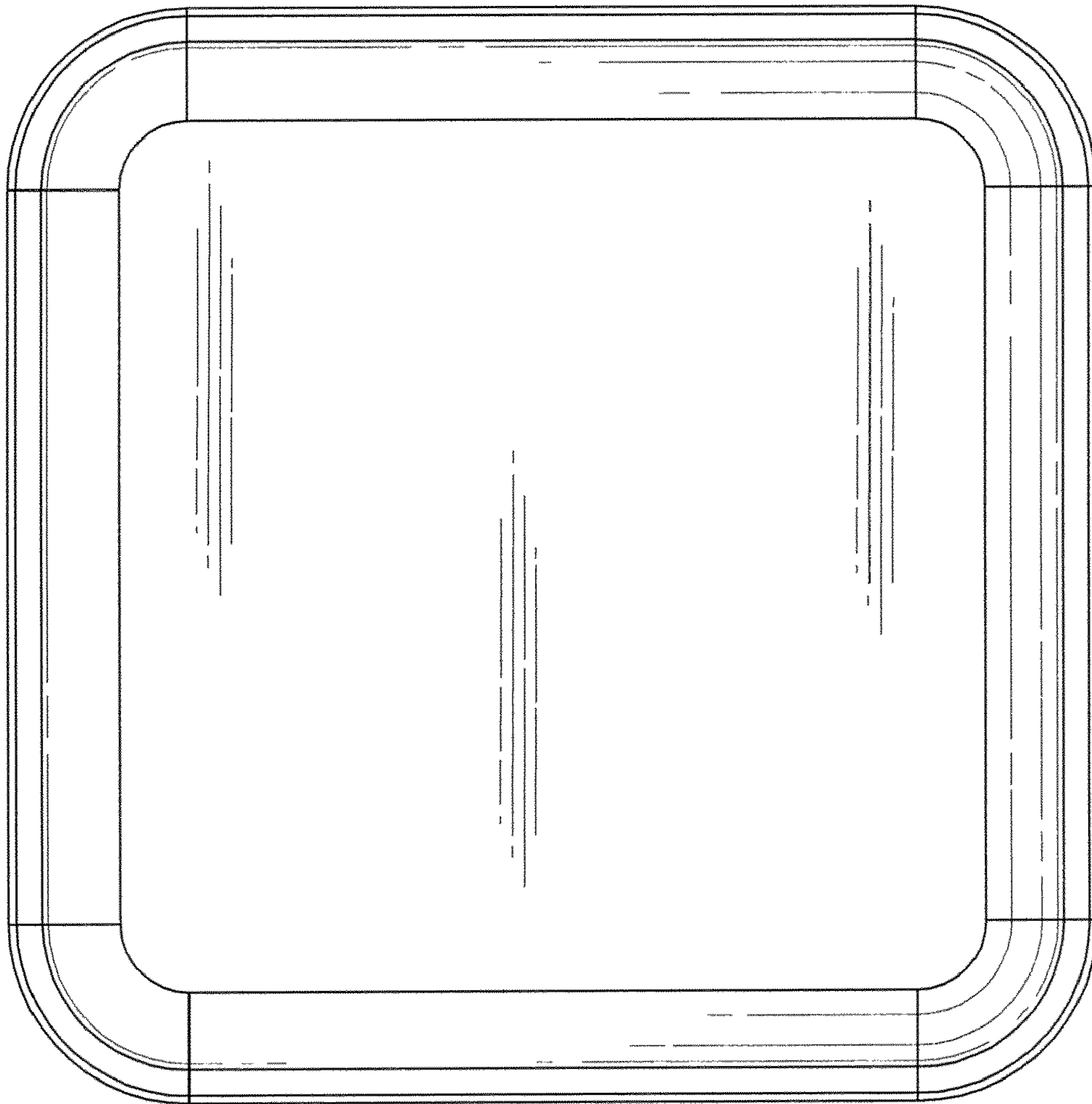


FIG. 4