



US00D658452S

(12) **United States Design Patent**  
**Elattrache**

(10) **Patent No.:** **US D658,452 S**

(45) **Date of Patent:** **\*\* May 1, 2012**

(54) **SILVERWARE STAND**

(76) Inventor: **Michael Elattrache**, Van Nuys, CA (US)

(\*\*) Term: **14 Years**

(21) Appl. No.: **29/402,630**

(22) Filed: **Sep. 25, 2011**

(51) **LOC (9) Cl.** ..... **07-99**

(52) **U.S. Cl.** ..... **D7/637**

(58) **Field of Classification Search** ..... D7/637-641,  
D7/600.1-600.4, 409; 211/69.1-69.9, 70.6,  
211/70.7, 71.01, 41.2, 41.3, 41.7, 60.1, 181.1;  
248/37.3, 174, 110; D6/408, 463, 462, 417,  
D6/535, 552, 556, 512-517; 47/39, 41.14,  
47/47

See application file for complete search history.

(56) **References Cited**

**U.S. PATENT DOCUMENTS**

1,264,914	A *	5/1918	Fresh	.....	248/37.3
D293,756	S *	1/1988	Benson	.....	D7/641
4,770,379	A *	9/1988	Estvold	.....	248/110
4,834,328	A *	5/1989	Hall	.....	248/37.3
4,940,199	A *	7/1990	Hall	.....	248/37.3

D360,560	S *	7/1995	Stroecker	.....	D7/637
D466,374	S *	12/2002	Boyte	.....	D7/637
D579,278	S *	10/2008	Umnitz	.....	D7/637

\* cited by examiner

*Primary Examiner* — Terry Wallace

(74) *Attorney, Agent, or Firm* — QuickPatents, Inc.; Kevin Prince

(57) **CLAIM**

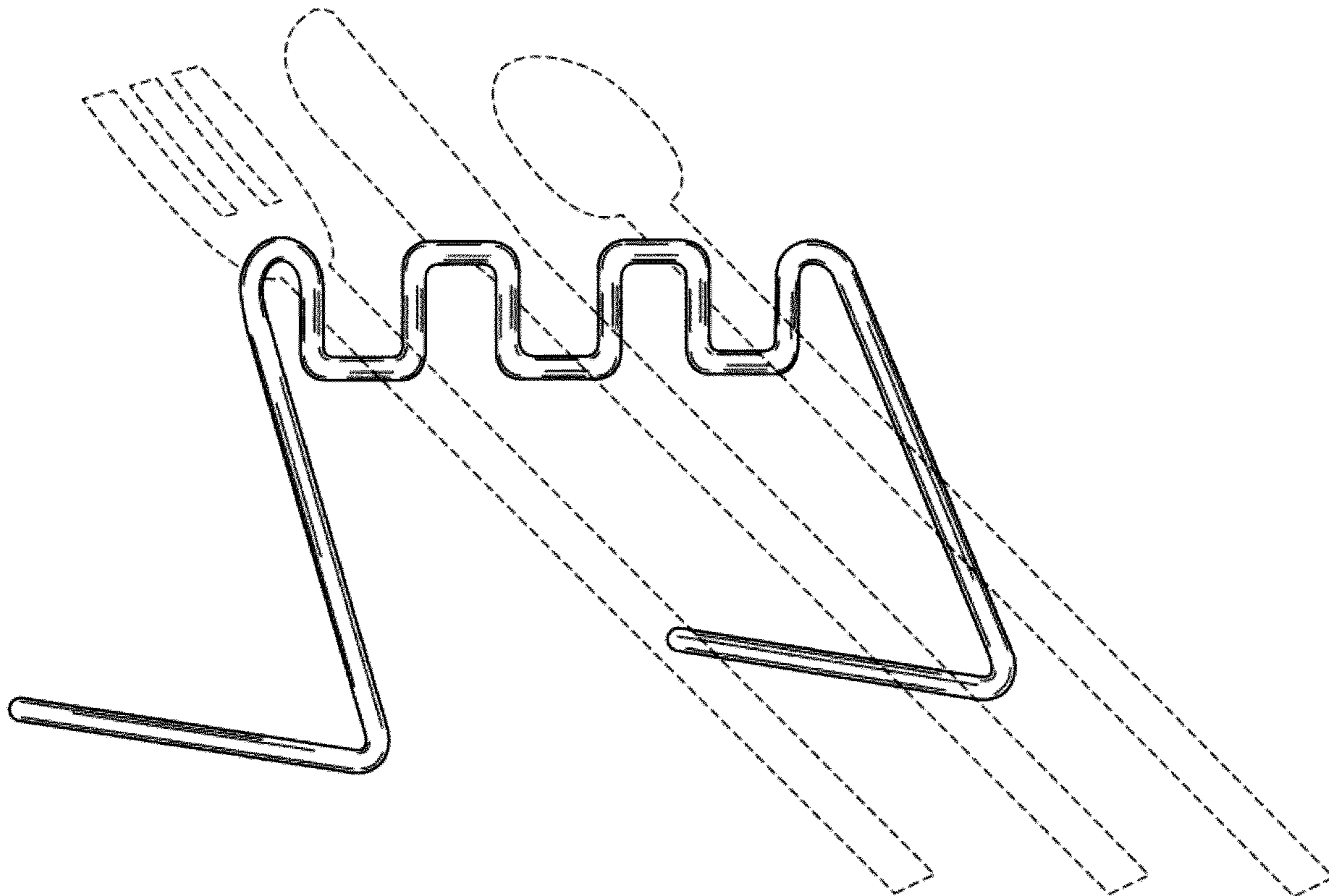
I claim the ornamental design for a silverware stand, as shown and described.

**DESCRIPTION**

FIG. 1 is a perspective view of a silverware stand, showing my new design;  
FIG. 2 is a front elevational view thereof;  
FIG. 3 is a rear elevational view thereof;  
FIG. 4 is a left-side elevational view thereof, the right-side elevational view being a mirror image thereof;  
FIG. 5 is a top plan view thereof; and,  
FIG. 6 is a bottom plan view thereof.

The broken lines showing silverware in FIG. 1 depict environmental matter and form no part of the claimed design.

**1 Claim, 4 Drawing Sheets**



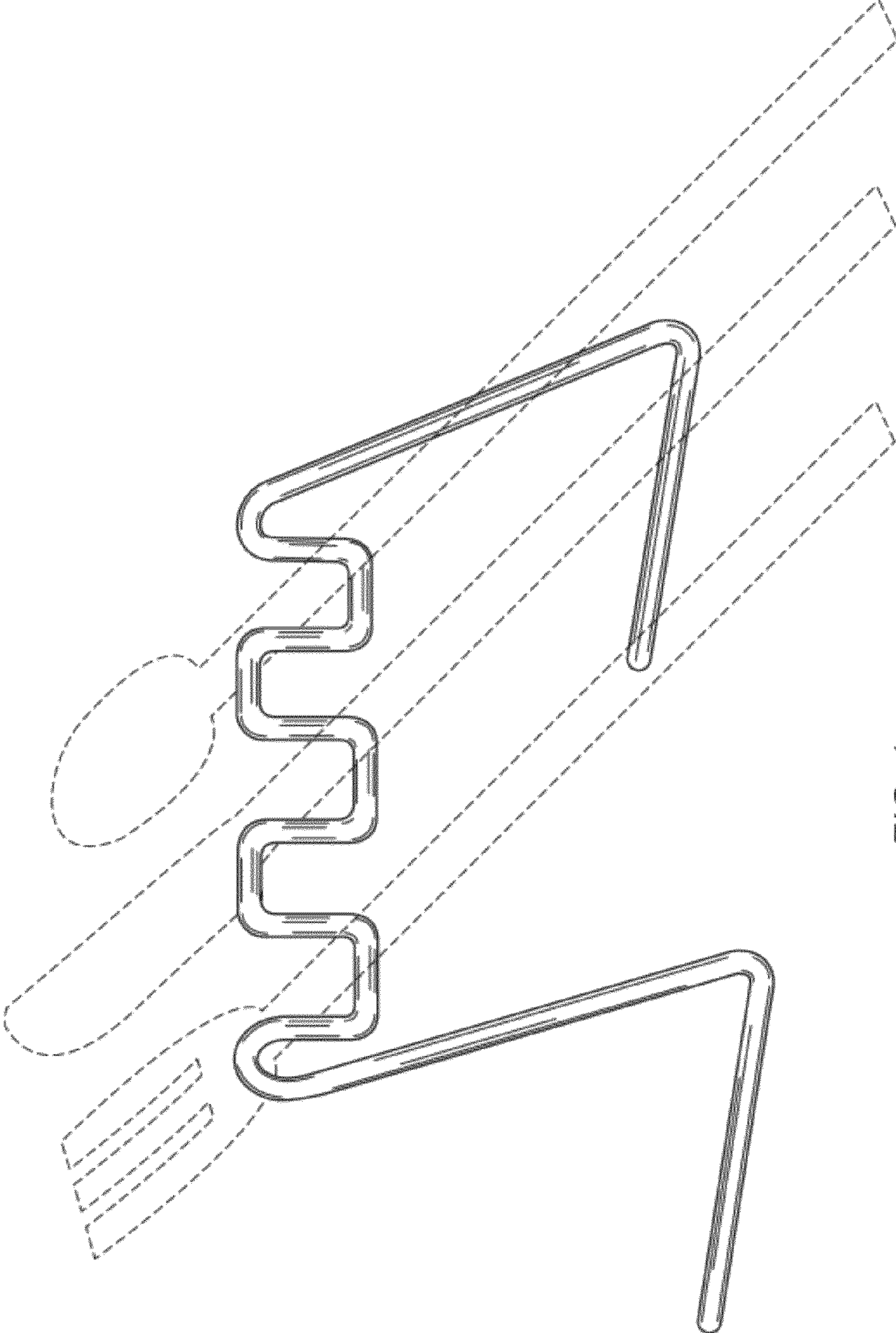


FIG. 1

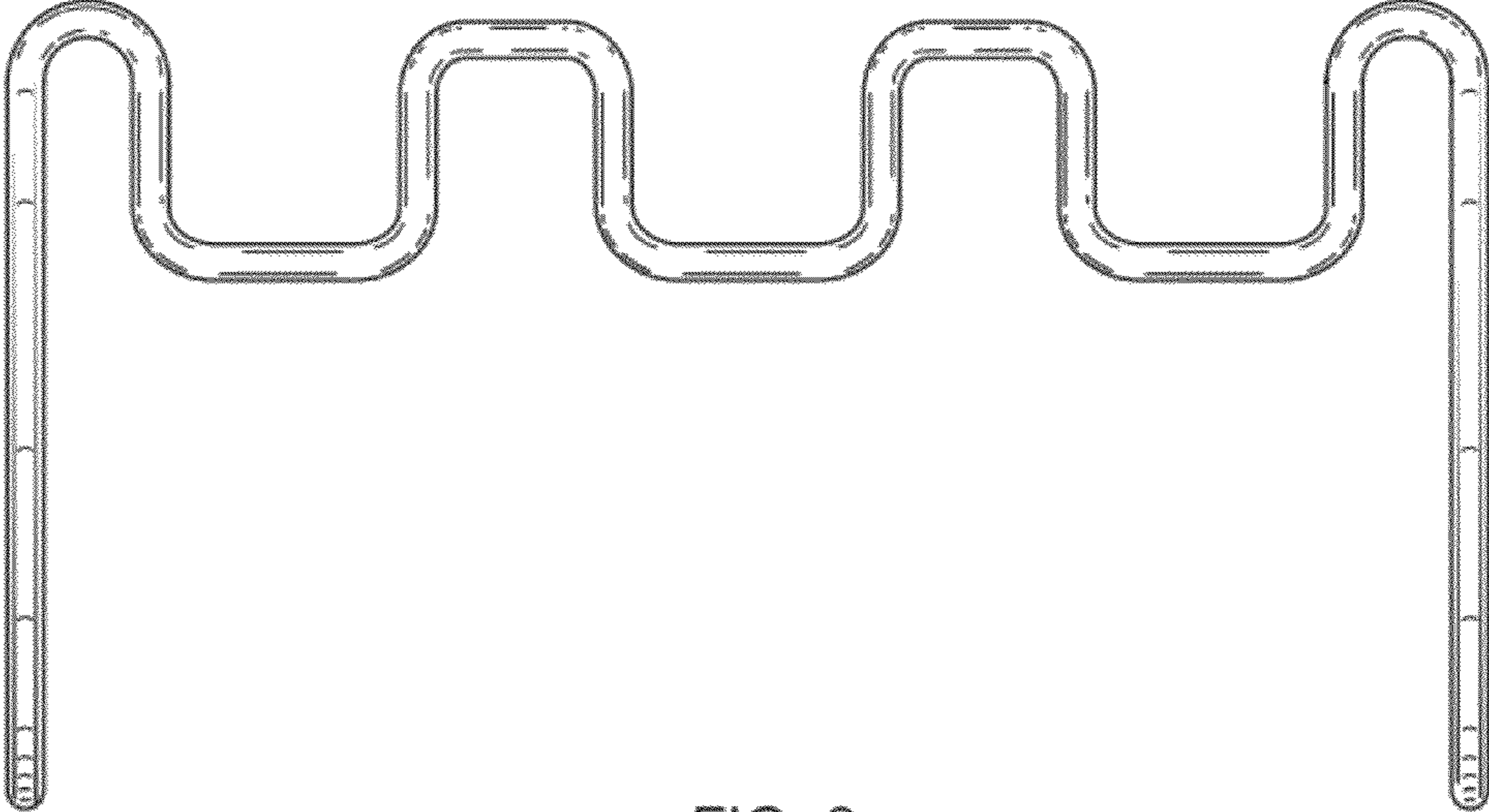


FIG. 2

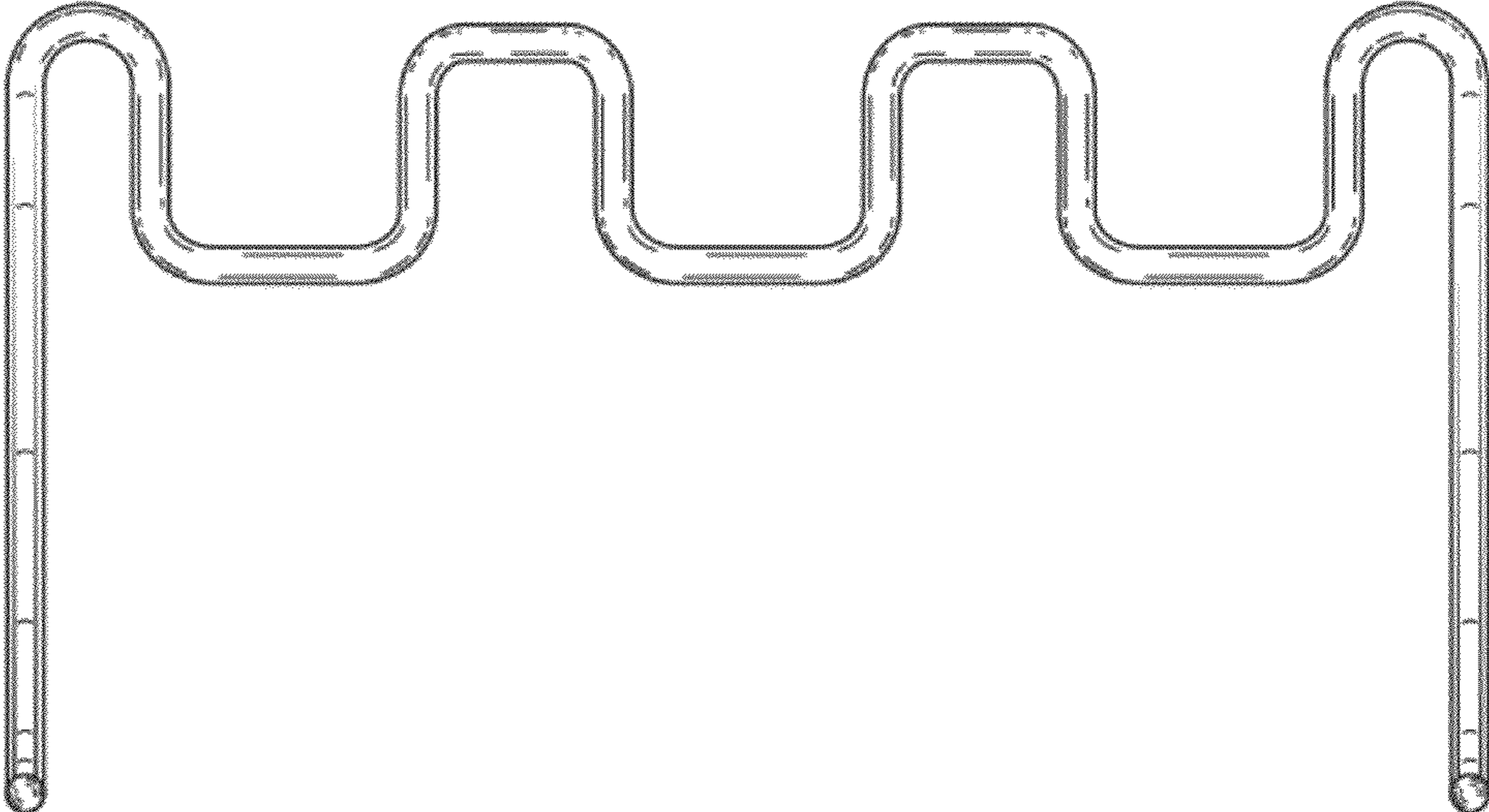


FIG. 3

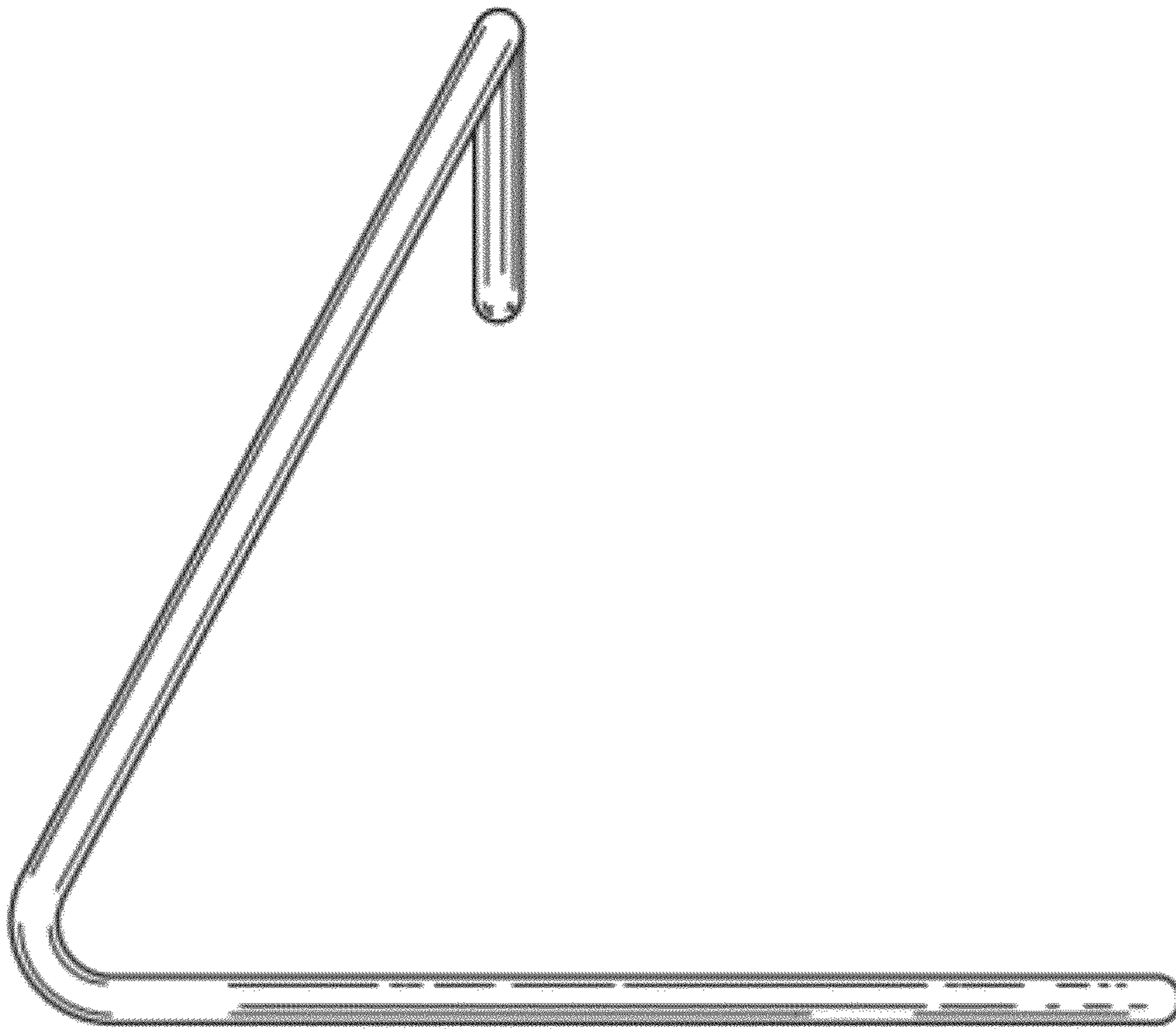


FIG. 4

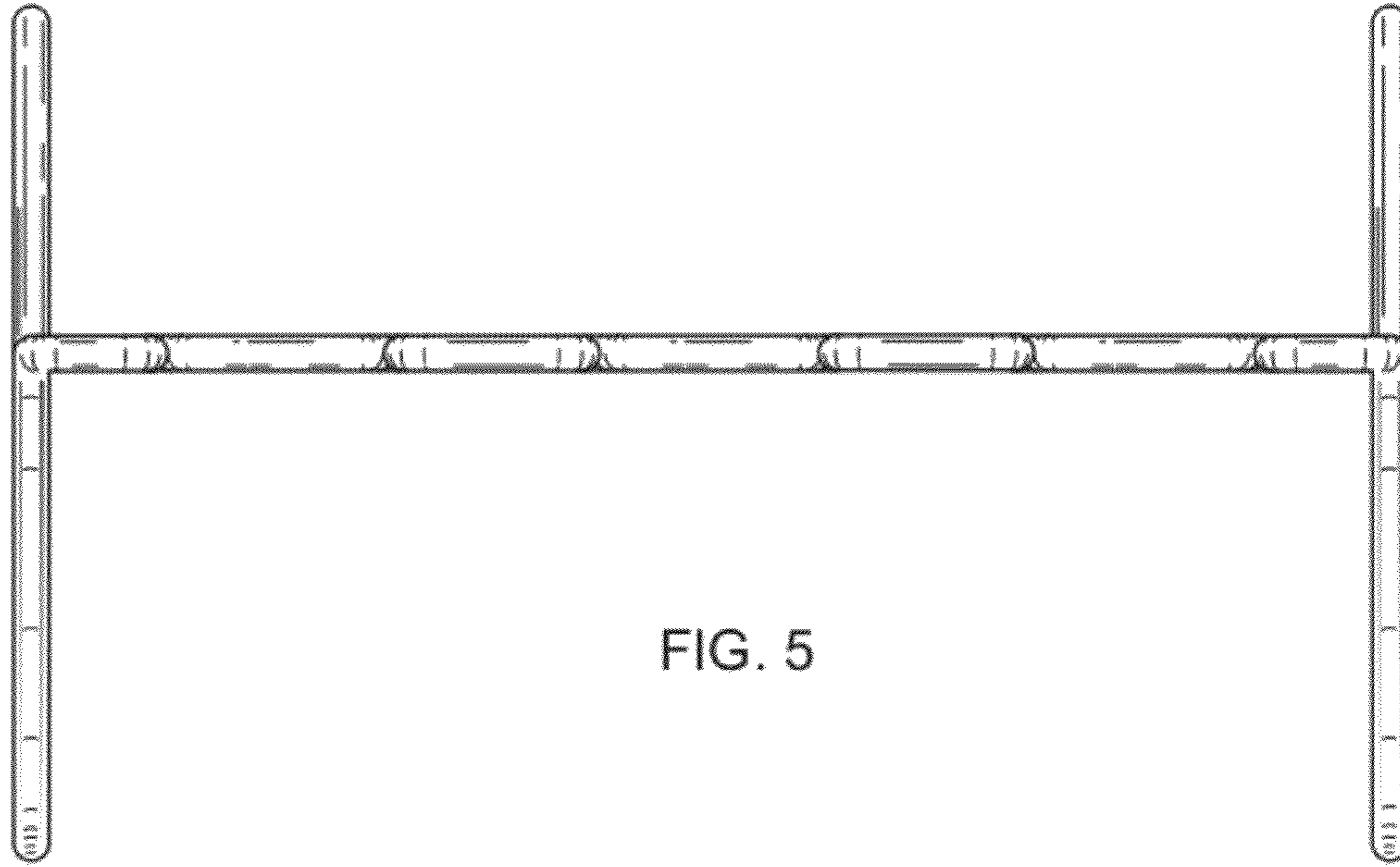


FIG. 5

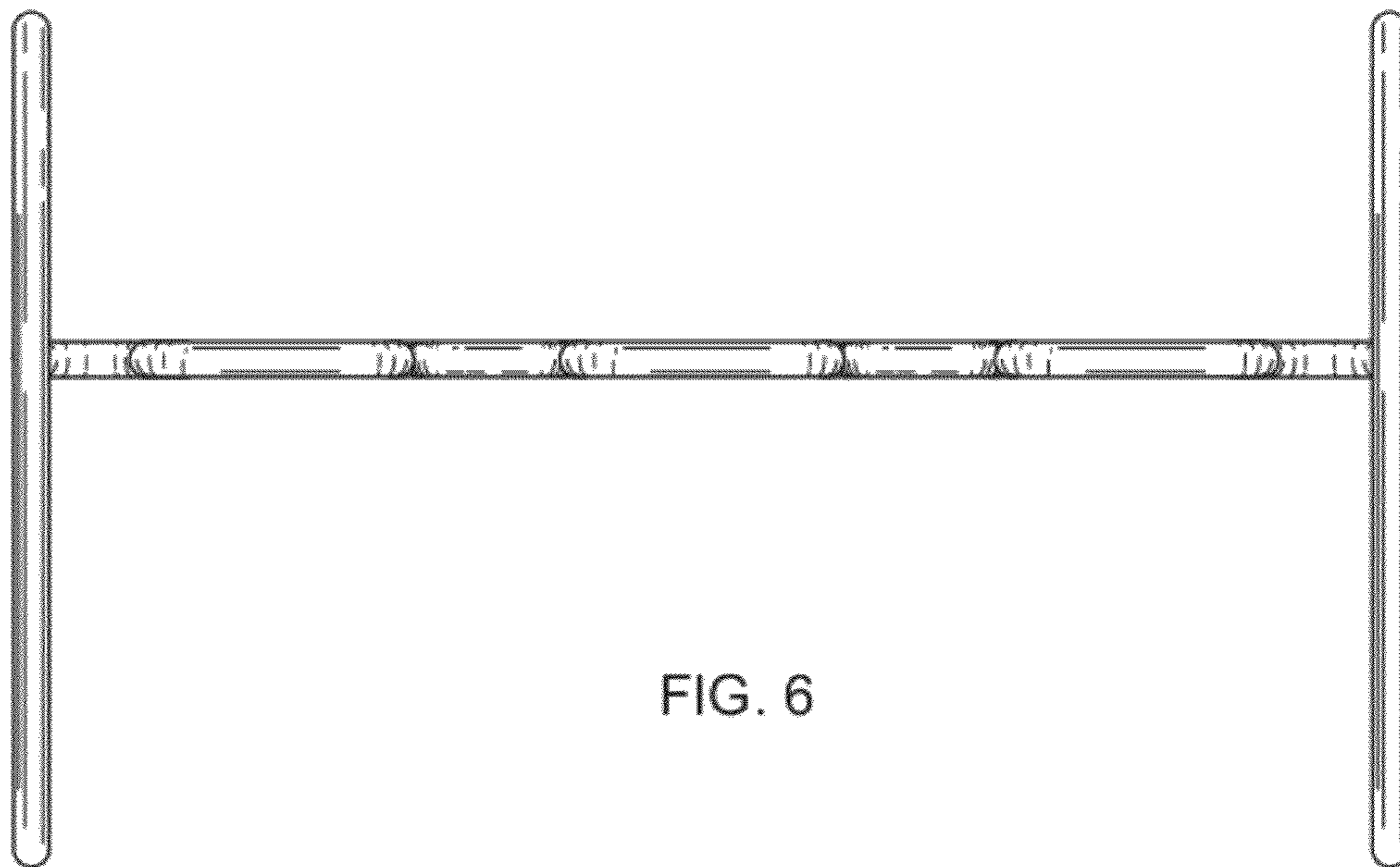


FIG. 6