



US00D658450S

(12) **United States Design Patent**
Ying

(10) **Patent No.:** **US D658,450 S**

(45) **Date of Patent:** **** May 1, 2012**

- (54) **THERMAL INSULATED MUG**
- (75) Inventor: **Xiong Ying, Yong Kang (CN)**
- (73) Assignee: **Xiongtai Group Co., Ltd., Yong Kang, Zhejiang Province (CN)**
- (**) Term: **14 Years**
- (21) Appl. No.: **29/380,759**
- (22) Filed: **Dec. 10, 2010**
- (51) **LOC (9) Cl.** **07-01**
- (52) **U.S. Cl.** **D7/608**
- (58) **Field of Classification Search** D7/509,
D7/510, 511, 533, 535, 536, 543, 601, 602,
D7/605, 607, 608, 619.1, 629, 396.2; D9/500,
D9/503, 504, 453, 452, 454; 215/379, 381-385,
215/316, 318, 395, 396; 220/592.16, 592.17,
220/592.2, 592.21, 592.26, 495.03, 660,
220/669, 675

See application file for complete search history.

- D496,559 S * 9/2004 Bodum D7/510
- D500,231 S * 12/2004 Ward et al. D7/608
- D533,032 S * 12/2006 Liu et al. D7/608
- D536,220 S * 2/2007 Sandberg D7/608
- D553,914 S * 10/2007 Wahl D7/608
- D569,195 S * 5/2008 Kim D7/608
- D572,981 S * 7/2008 Carreno D7/608
- D615,823 S * 5/2010 Gilbert D7/608
- D619,417 S * 7/2010 Goto et al. D7/510
- D621,220 S * 8/2010 Lown et al. D7/510
- D621,666 S * 8/2010 Wahl D7/608
- D623,480 S * 9/2010 Moran D7/608
- D623,481 S * 9/2010 Moran D7/608
- D625,561 S * 10/2010 Ablo D7/511
- D625,563 S * 10/2010 He D7/608
- D628,018 S * 11/2010 Gilbert D7/608
- D630,062 S * 1/2011 Carreno D7/608
- D630,474 S * 1/2011 Gilbert D7/608

* cited by examiner

Primary Examiner — Elizabeth J Oswecki
(74) *Attorney, Agent, or Firm* — Jacobson Holman PLLC

(57) **CLAIM**
I claim the ornamental design for the thermal insulated mug,
as shown and described.

(56) **References Cited**

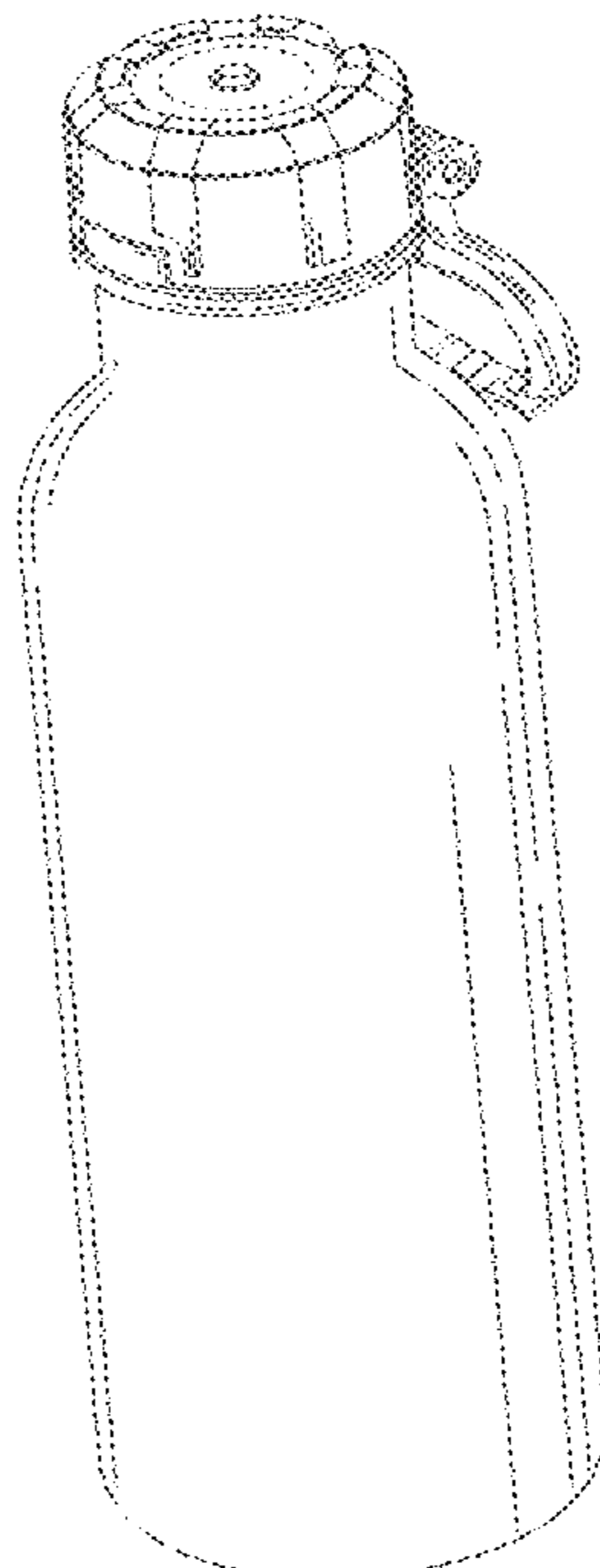
U.S. PATENT DOCUMENTS

- D262,856 S * 2/1982 MacTavish et al. D7/320
- D321,628 S * 11/1991 Kobayashi et al. D7/608
- D325,494 S * 4/1992 Gentry D7/608
- D360,113 S * 7/1995 Takahashi D7/608
- D379,743 S * 6/1997 Enomoto et al. D7/608
- D405,650 S * 2/1999 Meier D7/608
- D415,936 S * 11/1999 Moran D7/608
- D422,455 S * 4/2000 Kato D7/608
- D436,501 S * 1/2001 Huang D7/608
- D453,284 S * 2/2002 O'Connor et al. D7/608
- D454,282 S * 3/2002 Mano D7/608
- D456,218 S * 4/2002 Hatsumoto D7/608
- D488,675 S * 4/2004 Moore D7/608

DESCRIPTION

FIG. 1 is a perspective view of the thermal insulated mug showing my design;
FIG. 2 is a front elevational view thereof;
FIG. 3 is a rear elevational view thereof;
FIG. 4 is a left side elevational view thereof;
FIG. 5 is a right side elevational view thereof;
FIG. 6 is an enlarged top plan view thereof; and,
FIG. 7 is a bottom plan view thereof.
The broken lines form no part of the claimed design.

1 Claim, 7 Drawing Sheets



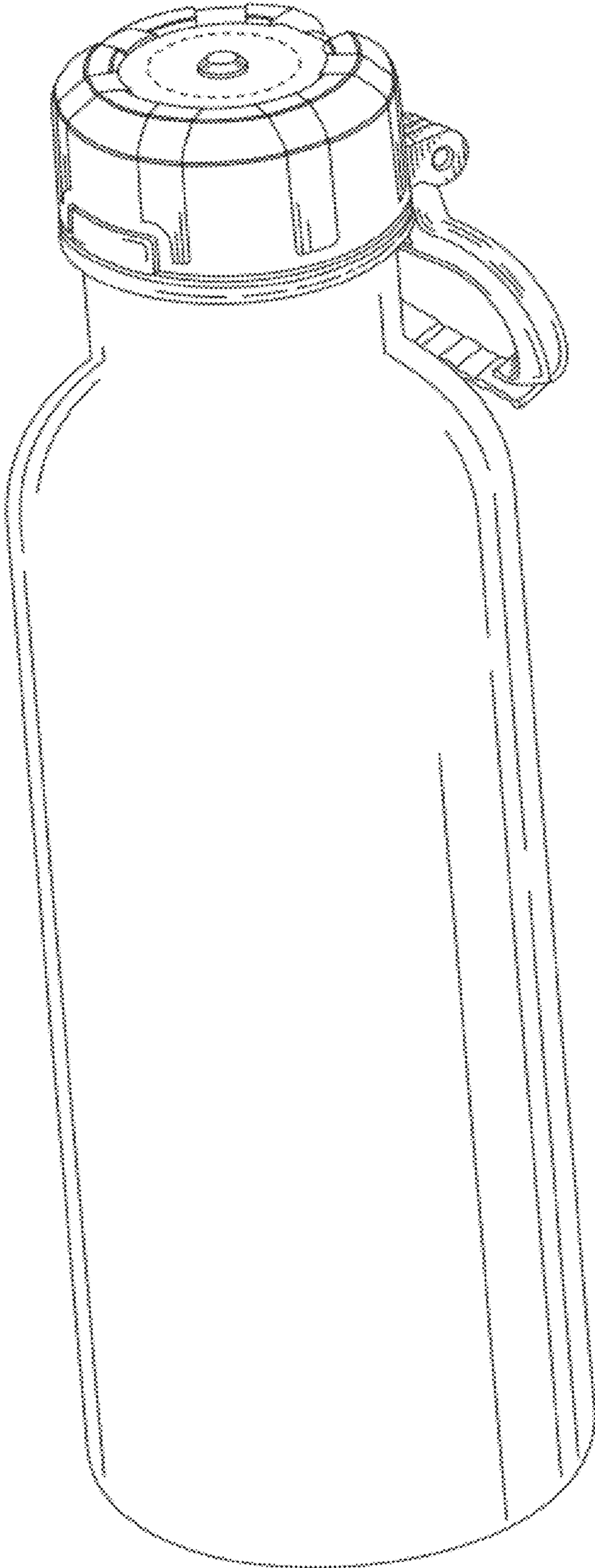


FIG. 1

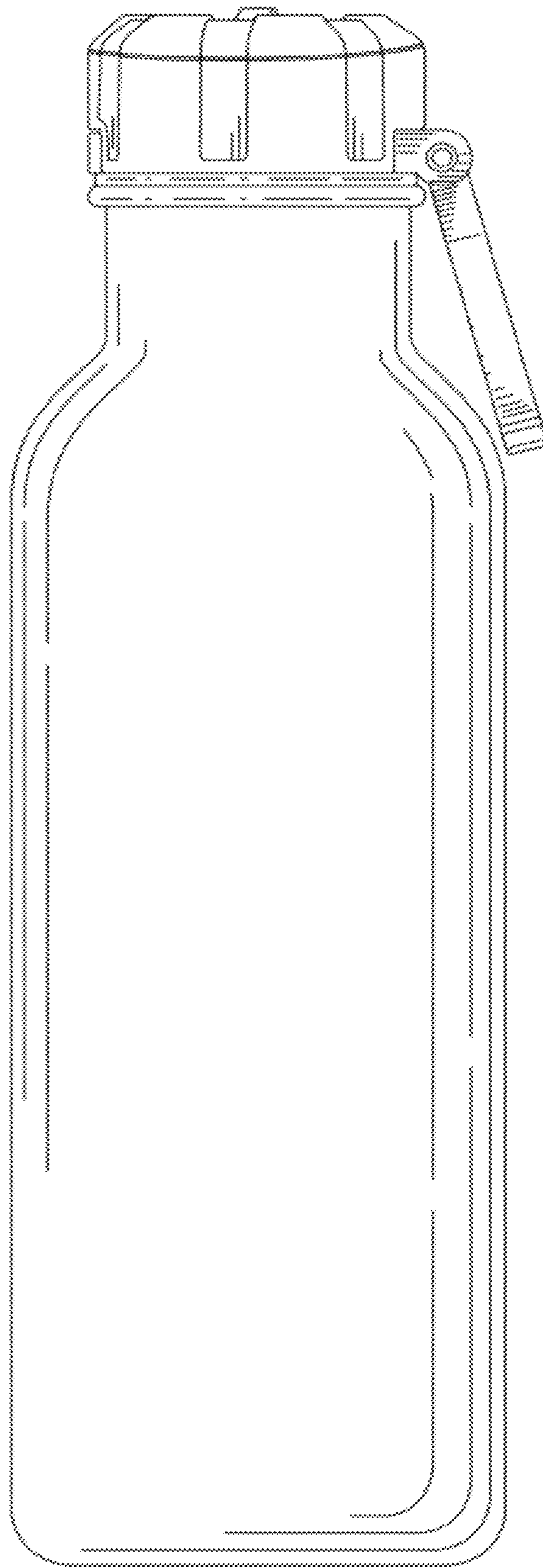


FIG. 2

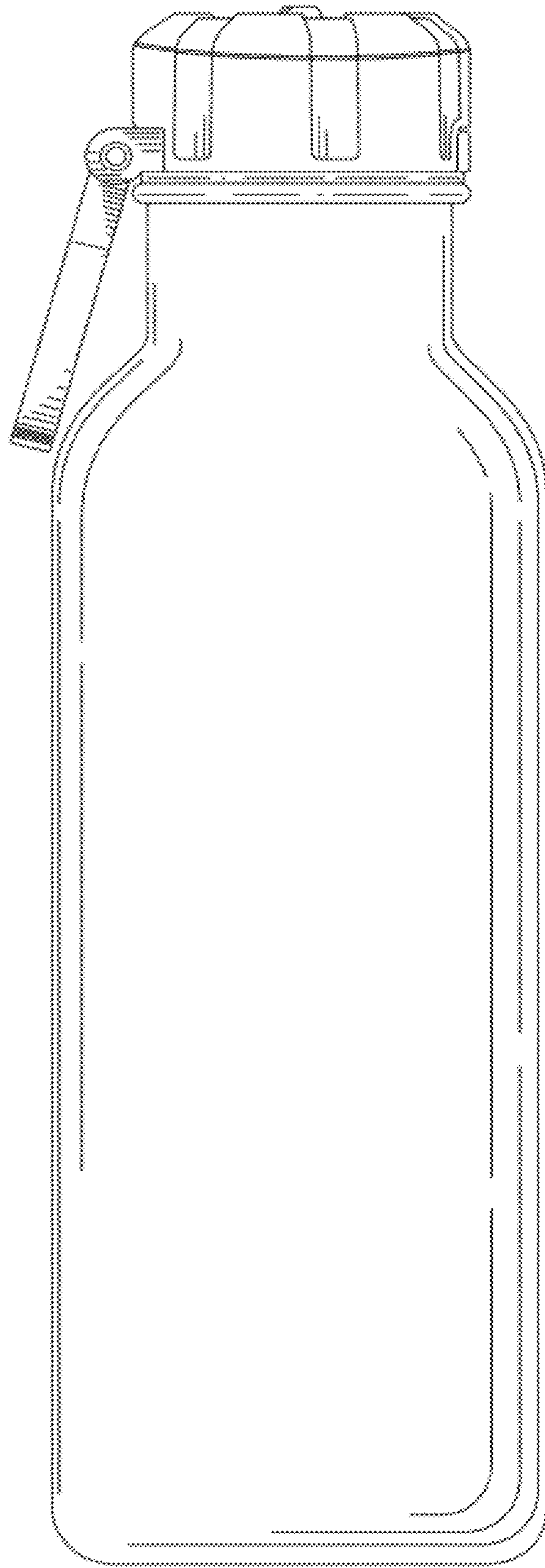


FIG.3

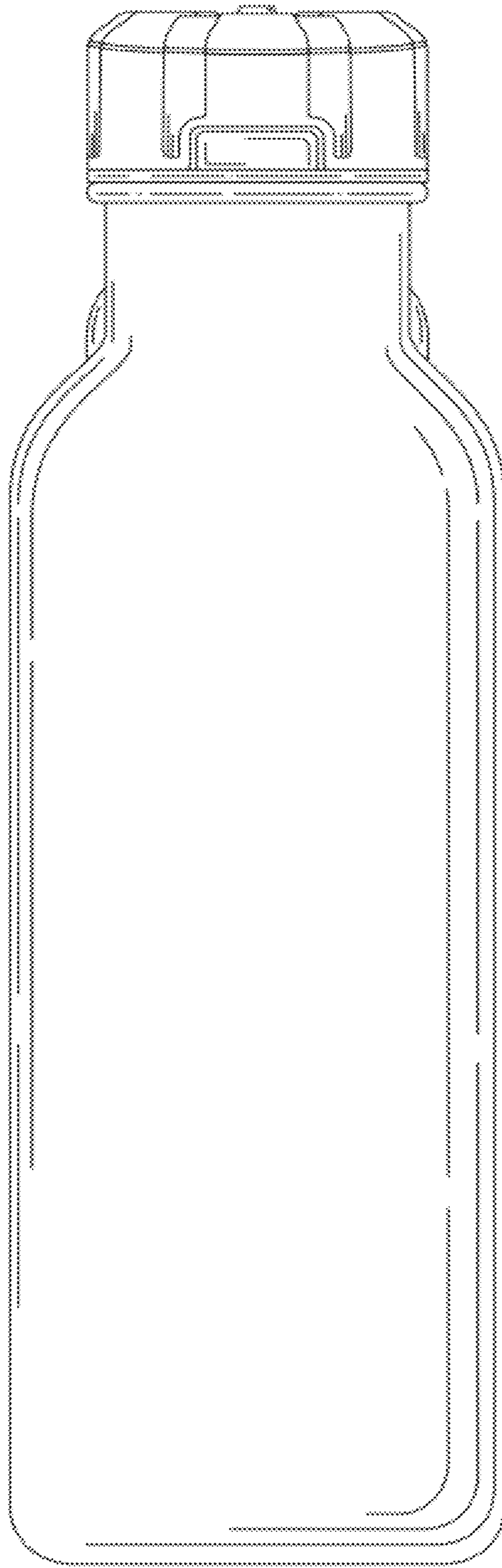


FIG.4

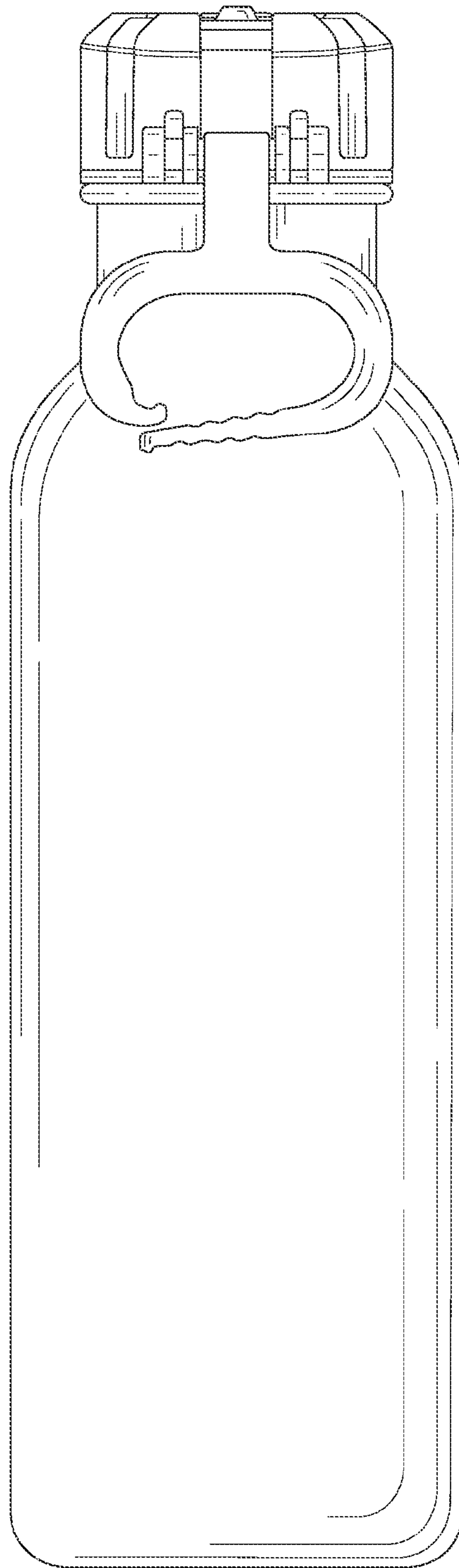


FIG.5

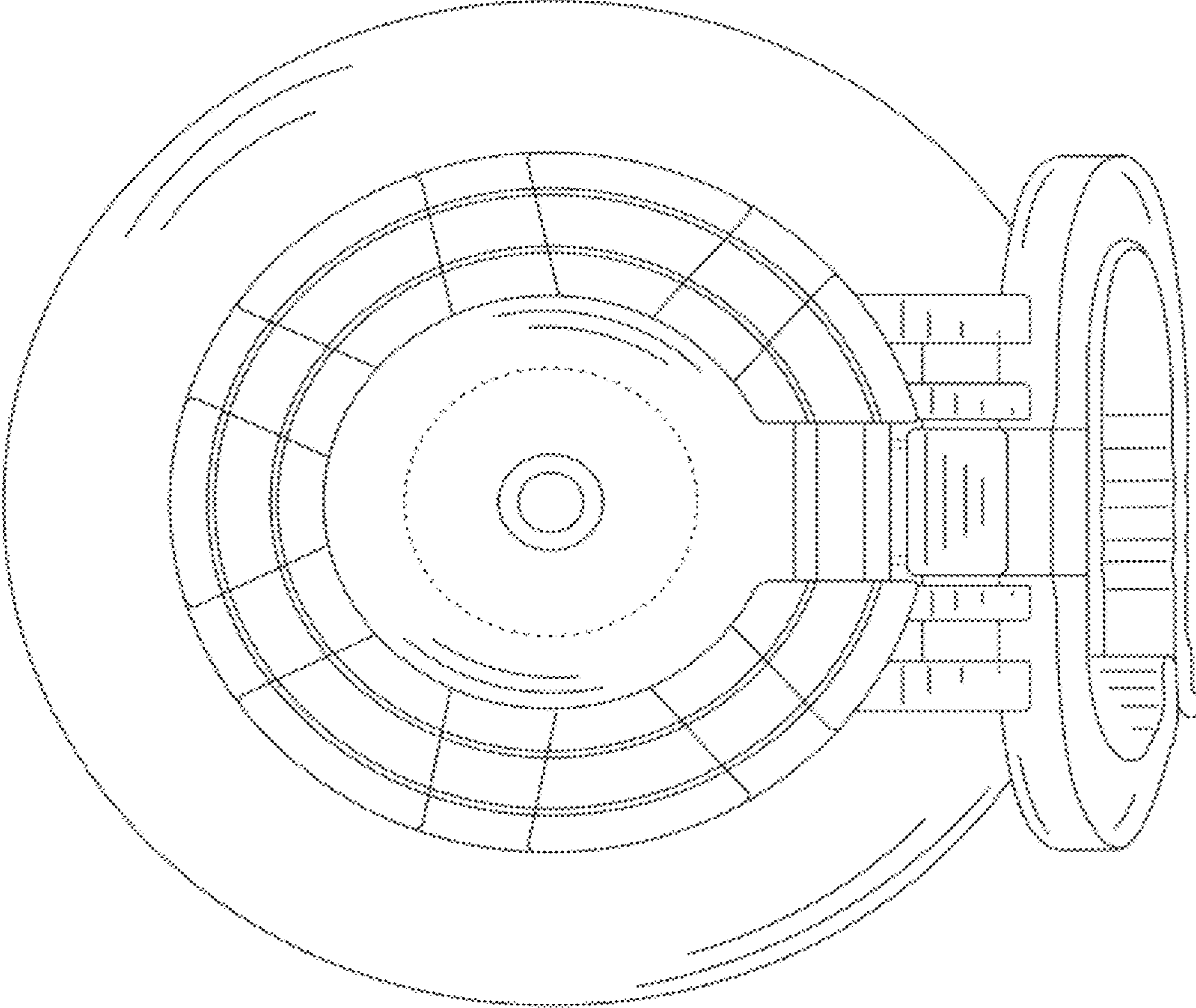


FIG.6

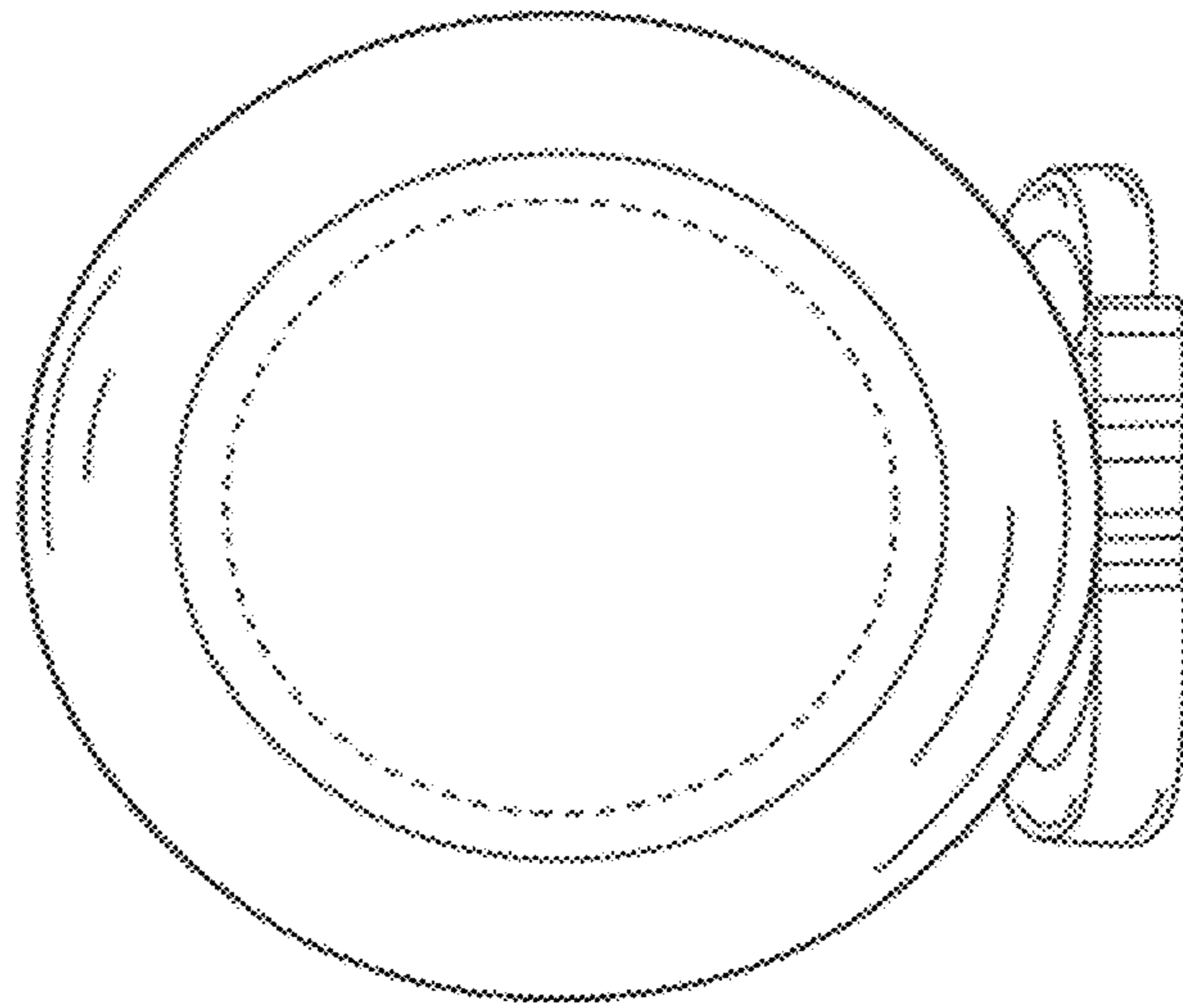


FIG. 7