



US00D658445S

(12) **United States Design Patent**
Carreno

(10) **Patent No.:** **US D658,445 S**

(45) **Date of Patent:** **** May 1, 2012**

(54) **LID/BOTTLE COMBINATION**

(75) Inventor: **Alfredo Carreno**, Greece, NY (US)

(73) Assignee: **Thermos L.L.C.**, Rolling Meadows, IL (US)

(**) Term: **14 Years**

(21) Appl. No.: **29/378,776**

(22) Filed: **Nov. 9, 2010**

(51) **LOC (9) Cl.** **07-01**

(52) **U.S. Cl.** **D7/510; D7/511; D9/537**

(58) **Field of Classification Search** D7/510,
D7/511, 608; D9/449, 529, 537; 220/703,
220/705

See application file for complete search history.

(56) **References Cited**

U.S. PATENT DOCUMENTS

D387,197 S *	12/1997	Huang	D3/271.1
D585,277 S *	1/2009	Beauplan	D9/449
D587,969 S *	3/2009	Gilbert	D7/510
D596,460 S *	7/2009	Nezu	D7/510
D605,561 S *	12/2009	Leng et al.	D12/92
D613,599 S *	4/2010	Khubani	D9/446
D624,362 S *	9/2010	Wahl	D7/510
D632,524 S *	2/2011	Rosbach et al.	D7/511

* cited by examiner

Primary Examiner — Marianne Pandozzi

(74) *Attorney, Agent, or Firm* — Wood, Phillips, Katz, Clark & Mortimer

(57) **CLAIM**

The ornamental design for a lid/bottle combination, as shown and described.

DESCRIPTION

FIG. 1 is a perspective view from above and to the front and right of the lid/bottle combination;

FIG. 2 is a perspective view from below and to the rear and left of the lid/bottle combination;

FIG. 3 is a front elevation of the lid/bottle combination;

FIG. 4 is a right side elevation view of the lid/bottle combination, with the left side elevation being a mirror image of FIG. 4;

FIG. 5 is a rear elevation view of the lid/bottle combination;

FIG. 6 is a left elevation view of the lid/bottle combination;

FIG. 7 is a top plan view of the lid/bottle combination;

FIG. 8 is a bottom view of the lid/bottle combination;

FIG. 9 is a front elevation of the lid/bottle combination showing a second embodiment of my new design; and,

FIG. 10 is a front elevation of the lid/bottle combination showing a third embodiment of my new design.

The broken lines in FIGS. 2 and 8 are included for the purpose of illustration and form no part of the claimed design.

1 Claim, 5 Drawing Sheets

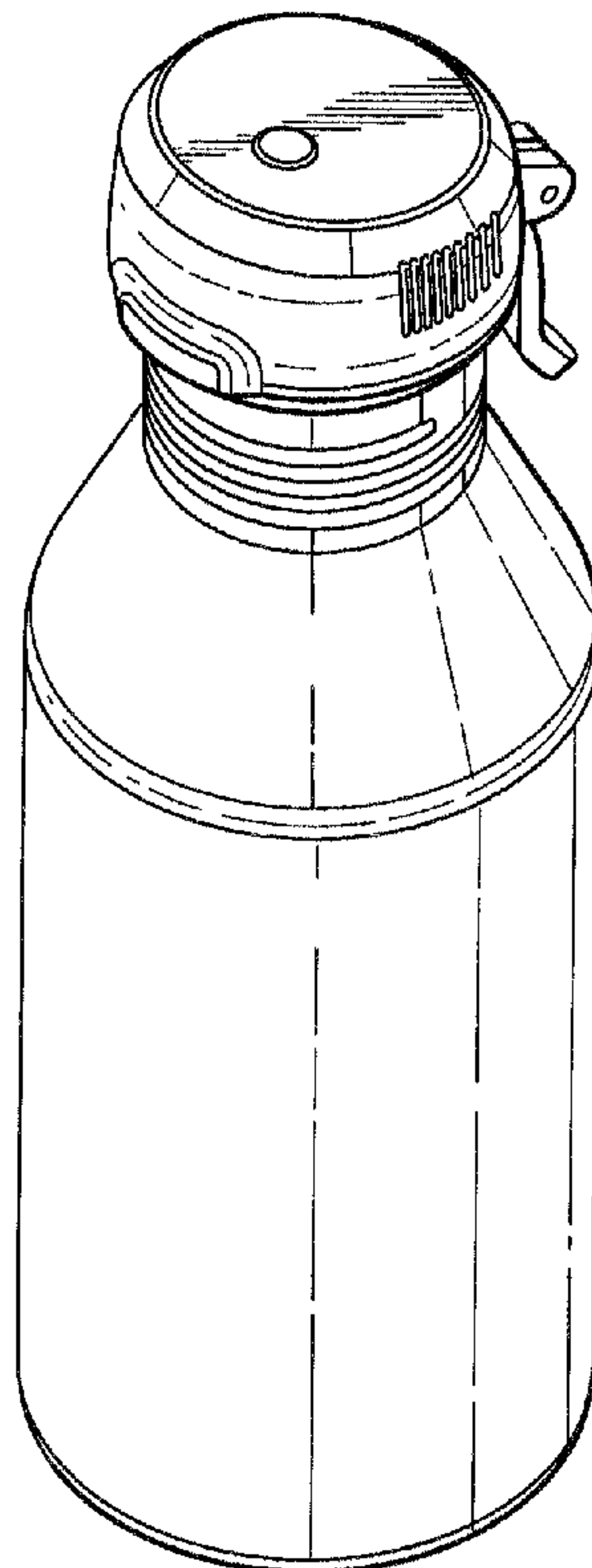


Fig. 1

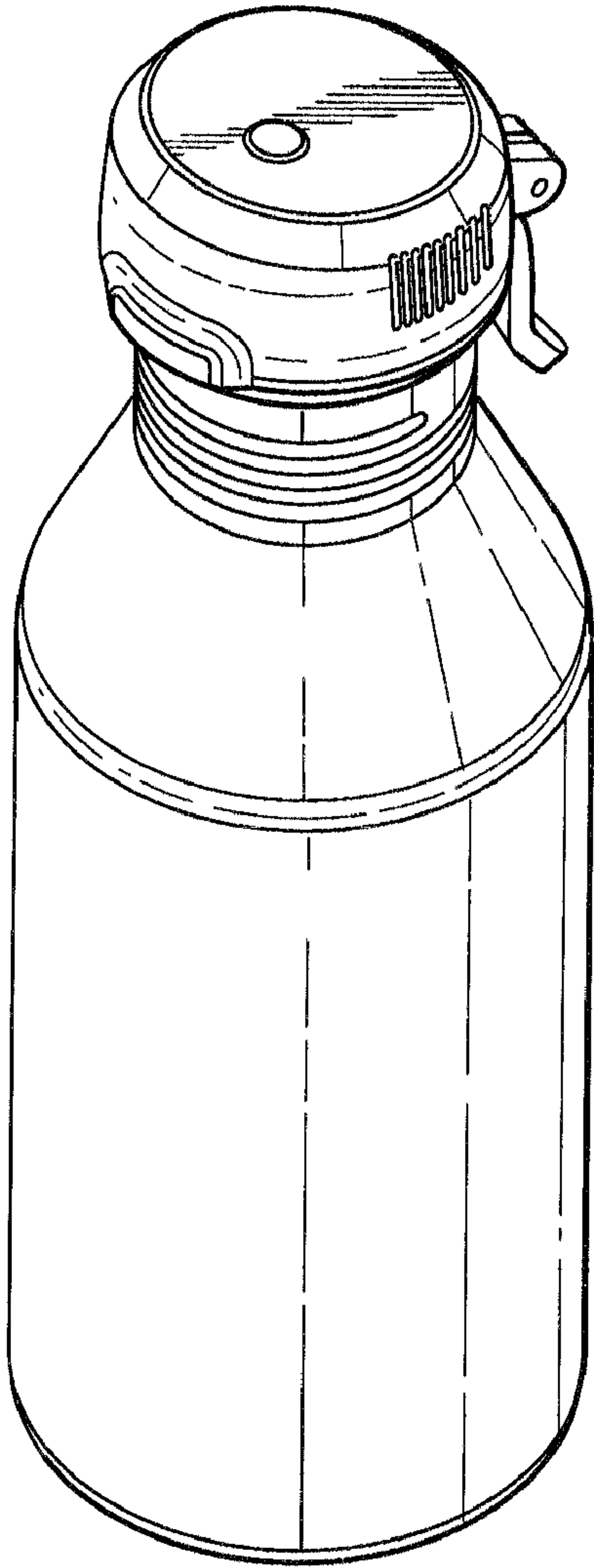


Fig. 2

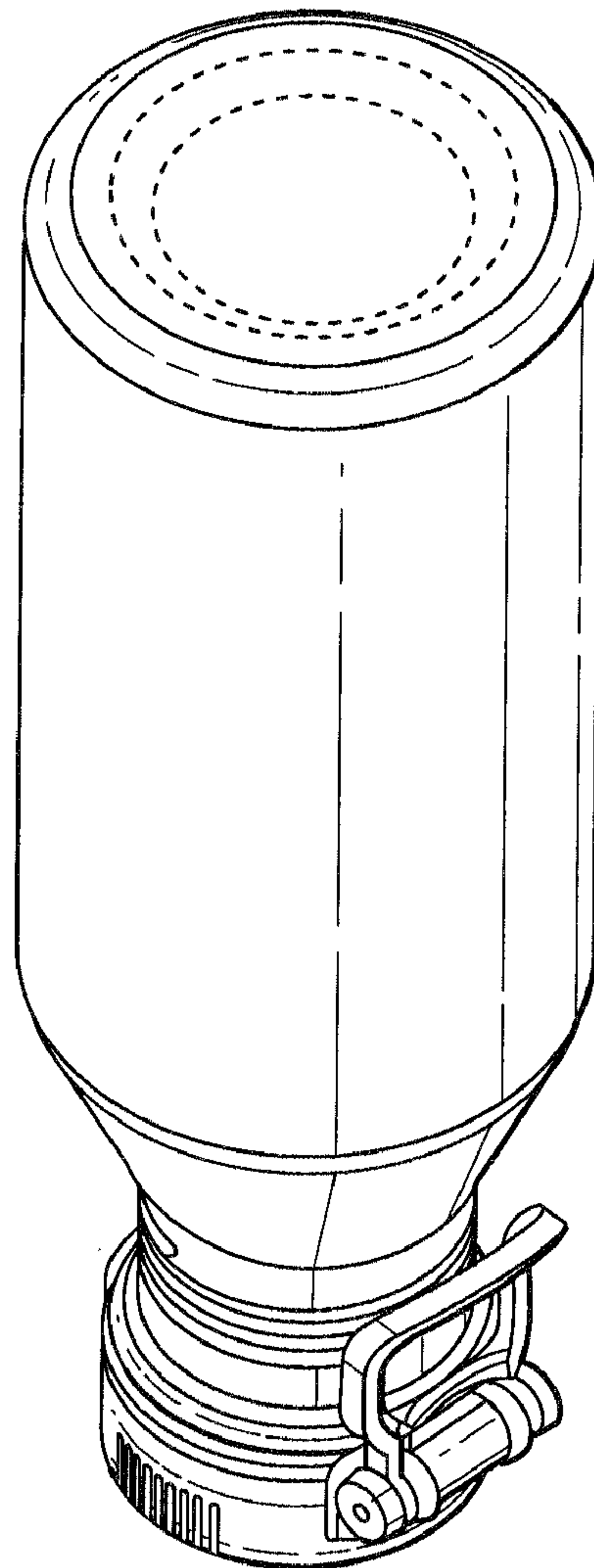


Fig. 3

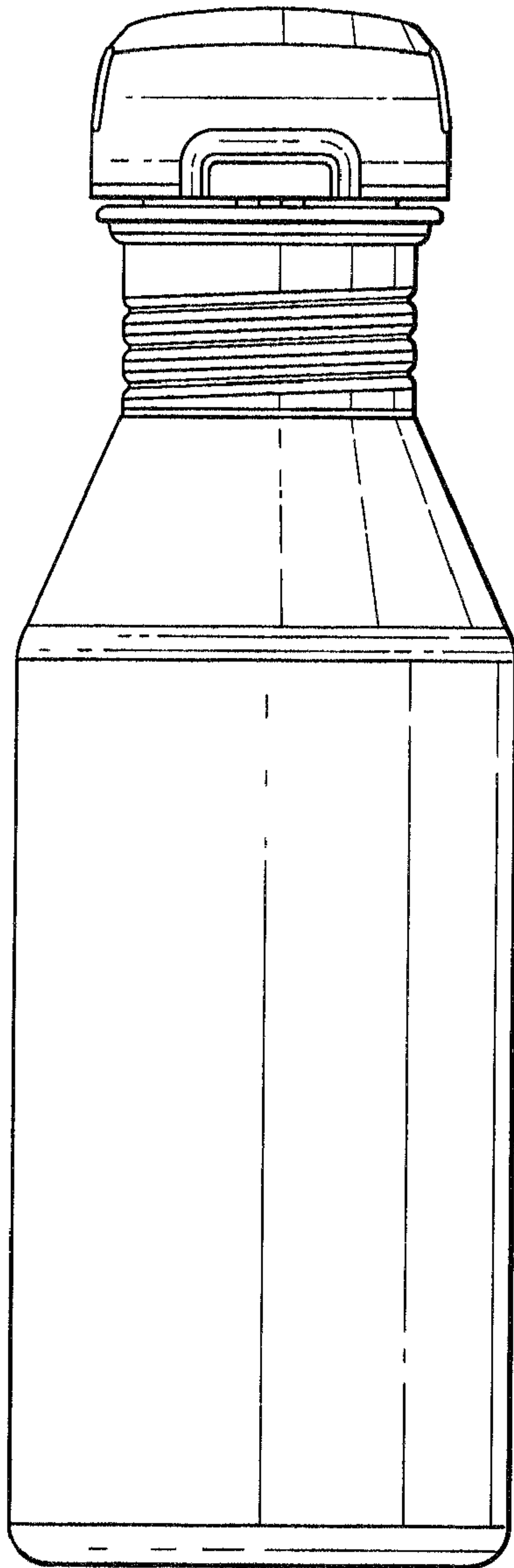


Fig. 4

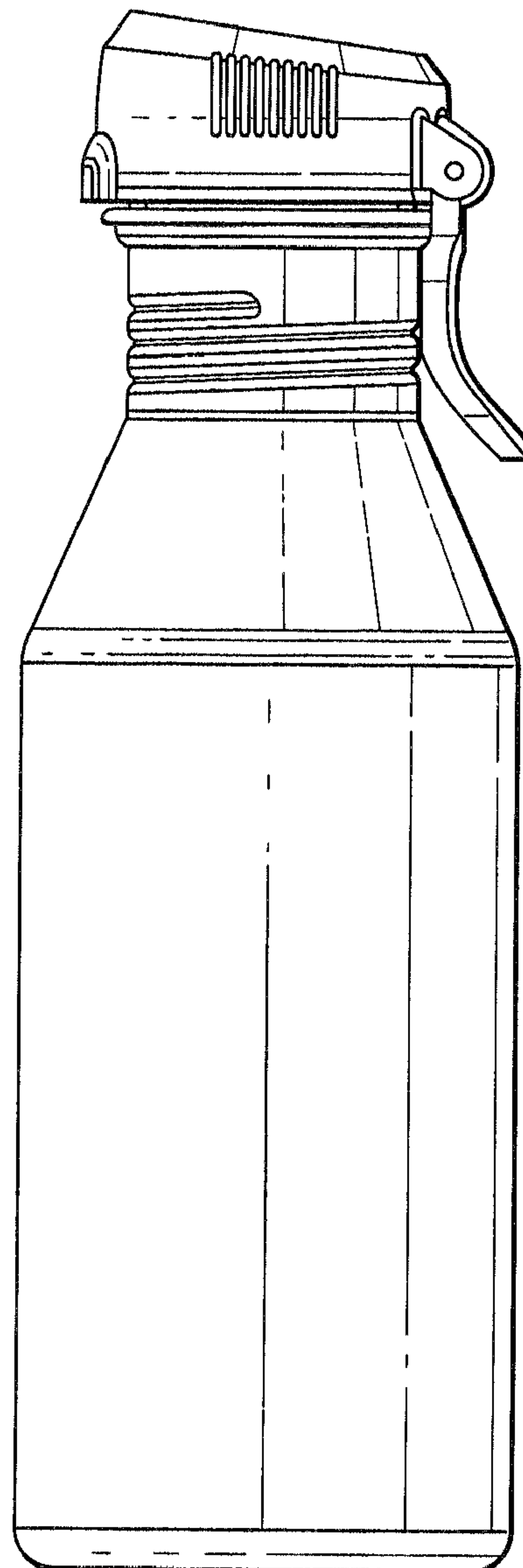


Fig. 5

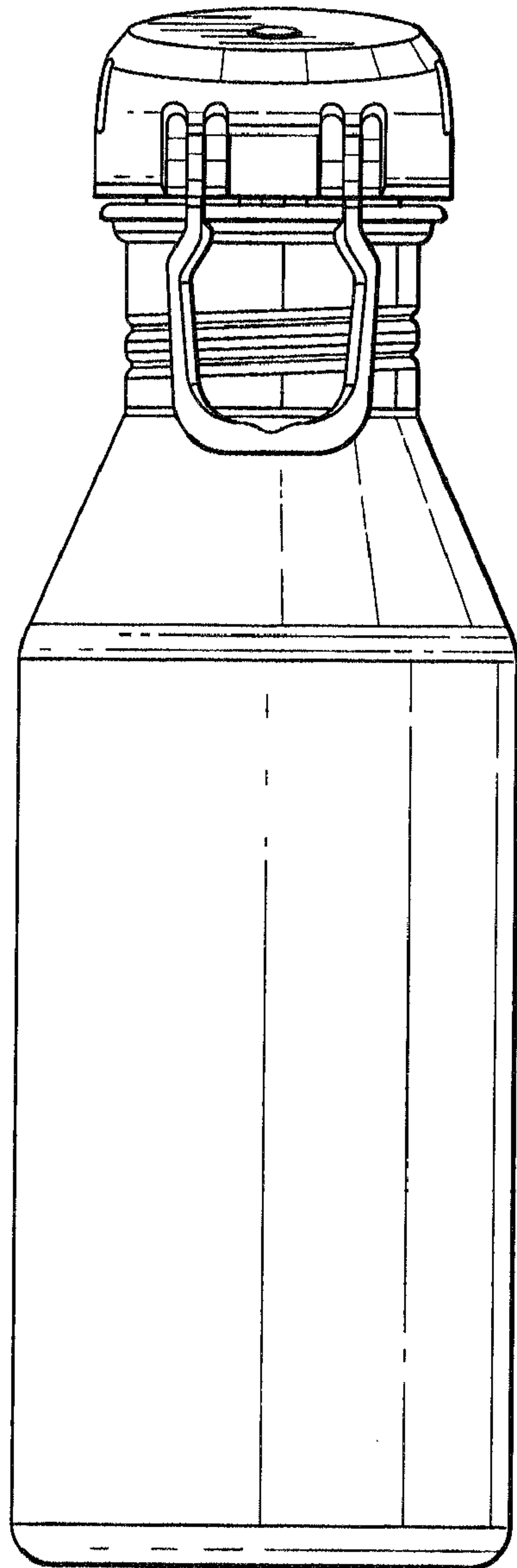


Fig. 6

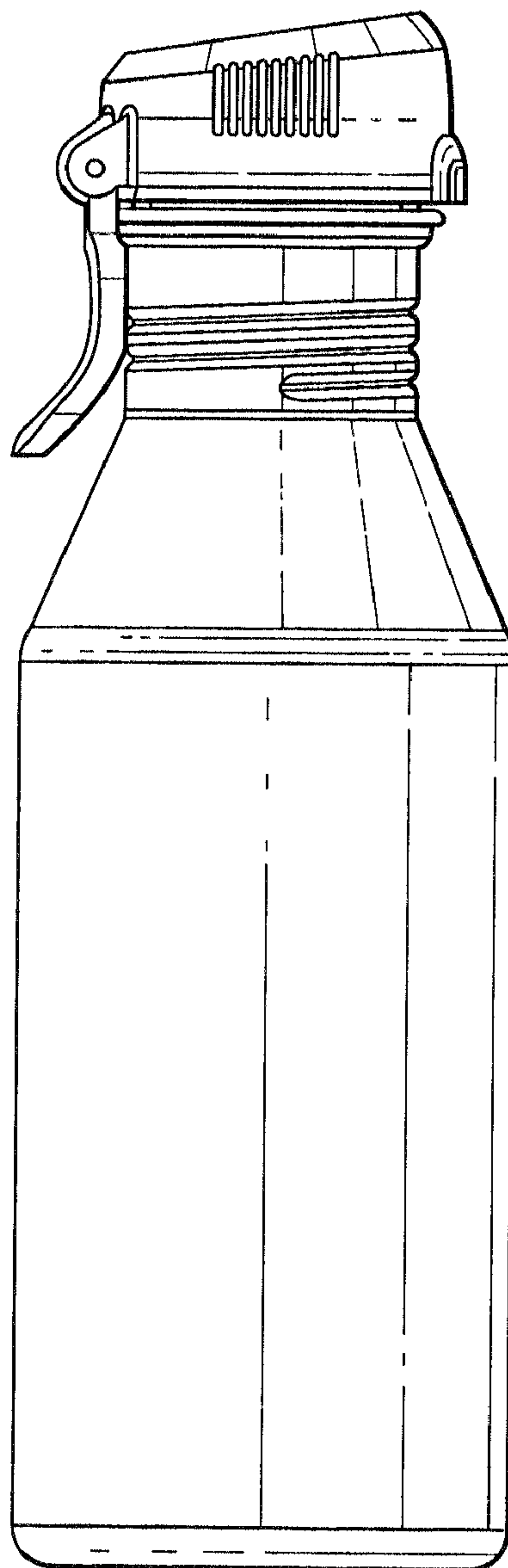


Fig. 7

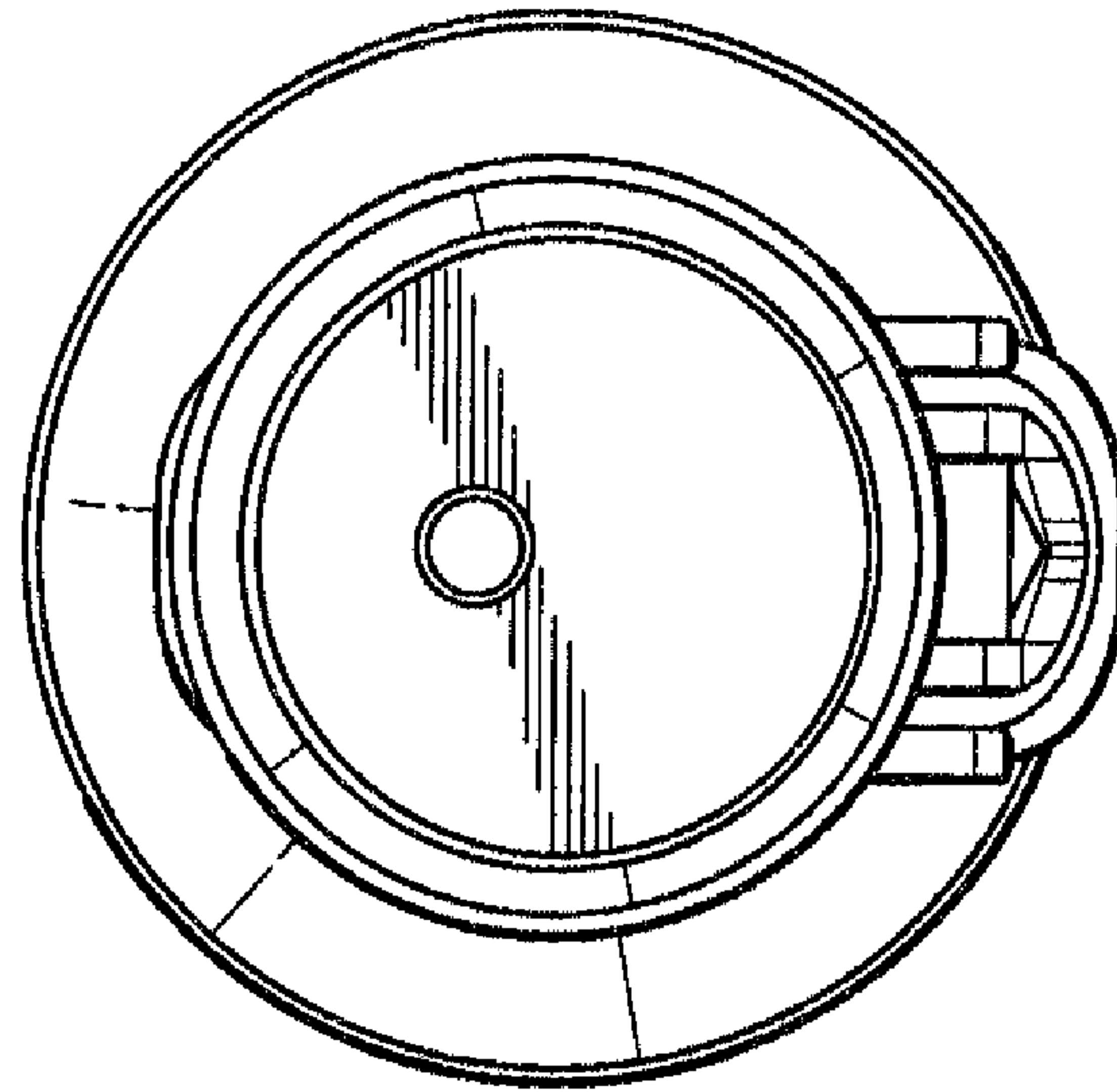


Fig. 8

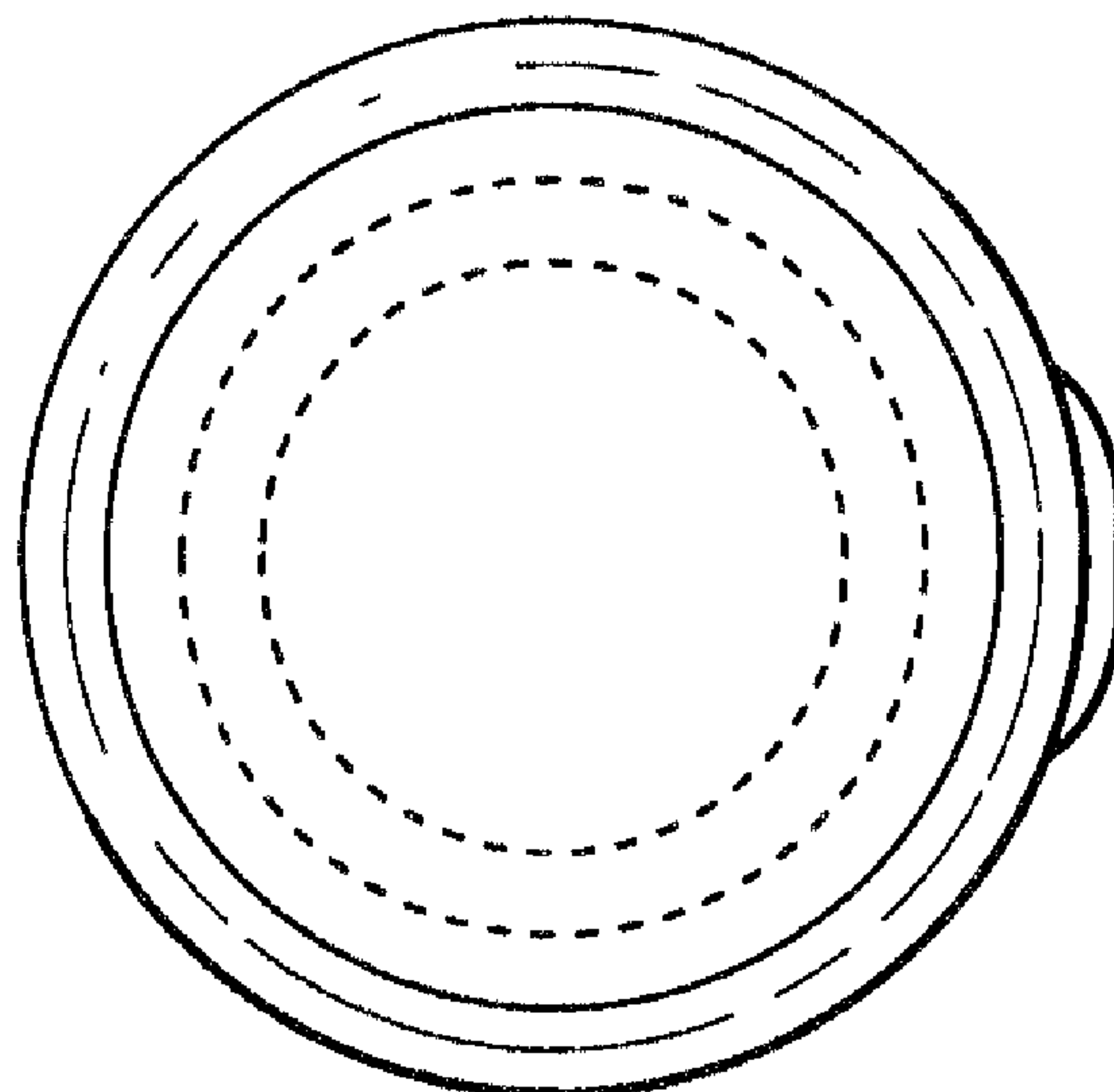


Fig. 9

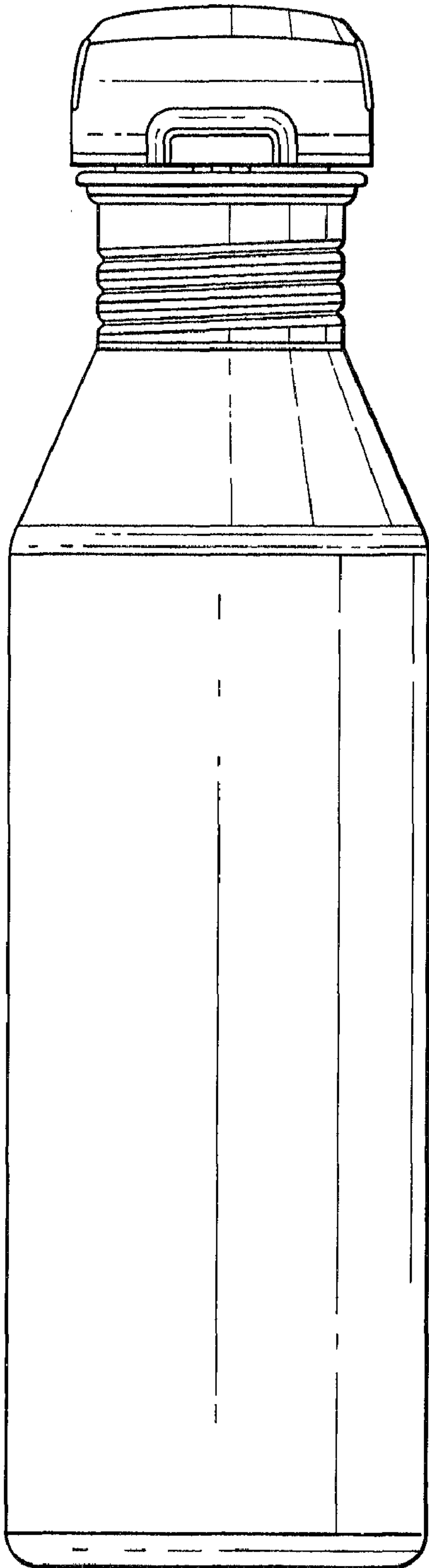


Fig. 10

