



US00D658443S

(12) **United States Design Patent**  
**Chiu et al.**

(10) **Patent No.:** **US D658,443 S**

(45) **Date of Patent:** **\*\* May 1, 2012**

(54) **CUP**

(75) Inventors: **Jeffrey Chiu**, Woodridge, IL (US);  
**Mason Umholtz**, Woodridge, IL (US);  
**Traci Chapple**, Woodridge, IL (US);  
**David Starr**, Woodridge, IL (US);  
**Karen Swinford**, Woodridge, IL (US);  
**Yvonne Hau Yee Chow**, Hong Kong  
(CN); **Emily Carlson**, Woodridge, IL  
(US)

(73) Assignee: **Wilton Industries Inc.**, Woodridge, IL  
(US)

(\*\*) Term: **14 Years**

(21) Appl. No.: **29/378,401**

(22) Filed: **Nov. 4, 2010**

(51) **LOC (9) Cl.** ..... **07-01**

(52) **U.S. Cl.** ..... **D7/507; D7/510**

(58) **Field of Classification Search** ..... D7/510,  
D7/511, 500, 532, 900; 215/121, 382, 388,  
215/387; 220/674, 715, 713, 718, 592.16,  
220/592.17, 709, 708; D9/551, 529

See application file for complete search history.

(56) **References Cited**

**U.S. PATENT DOCUMENTS**

D98,420 S *	2/1936	Deskey .....	D7/523
D105,943 S *	9/1937	Fuerst .....	D7/523
2,782,614 A *	2/1957	Currie .....	220/718
2,984,035 A	5/1961	Nalle, Jr.	
3,095,132 A	6/1963	Hawley	
3,301,459 A	1/1967	Gardner	
3,349,950 A *	10/1967	Wanderer .....	220/787
3,384,265 A	5/1968	Frank	
3,557,995 A	1/1971	Mirasol, Jr. et al.	
3,598,271 A	8/1971	Holley	
3,606,262 A	9/1971	Hoff	

3,606,282 A	9/1971	Stokey	
3,868,043 A	2/1975	Freemyer	
3,954,178 A	5/1976	Mason, Jr.	
4,106,660 A	8/1978	Boyle	
4,121,835 A *	10/1978	Garabedian .....	369/68
4,187,954 A	2/1980	Striggow	
4,275,815 A	6/1981	Davis	
D272,793 S	2/1984	Appel et al.	
4,441,624 A	4/1984	Sokolowski	
4,494,668 A *	1/1985	Lottick .....	220/709
4,589,569 A	5/1986	Clements	
4,619,372 A	10/1986	McFarland	
D287,919 S	1/1987	Clements	
D299,010 S	12/1988	Wall	
4,814,568 A	3/1989	Keefer	
4,852,757 A	8/1989	Gold	

(Continued)

**OTHER PUBLICATIONS**

RCD-Online—Design Consultation Service—RCE Information, EU  
Design No.: 000805015-0002, Indication of the product “Mug  
Presses”, Sep. 10, 2007 (2 pages).

(Continued)

*Primary Examiner* — Cynthia Underwood  
(74) *Attorney, Agent, or Firm* — Foley & Lardner LLP

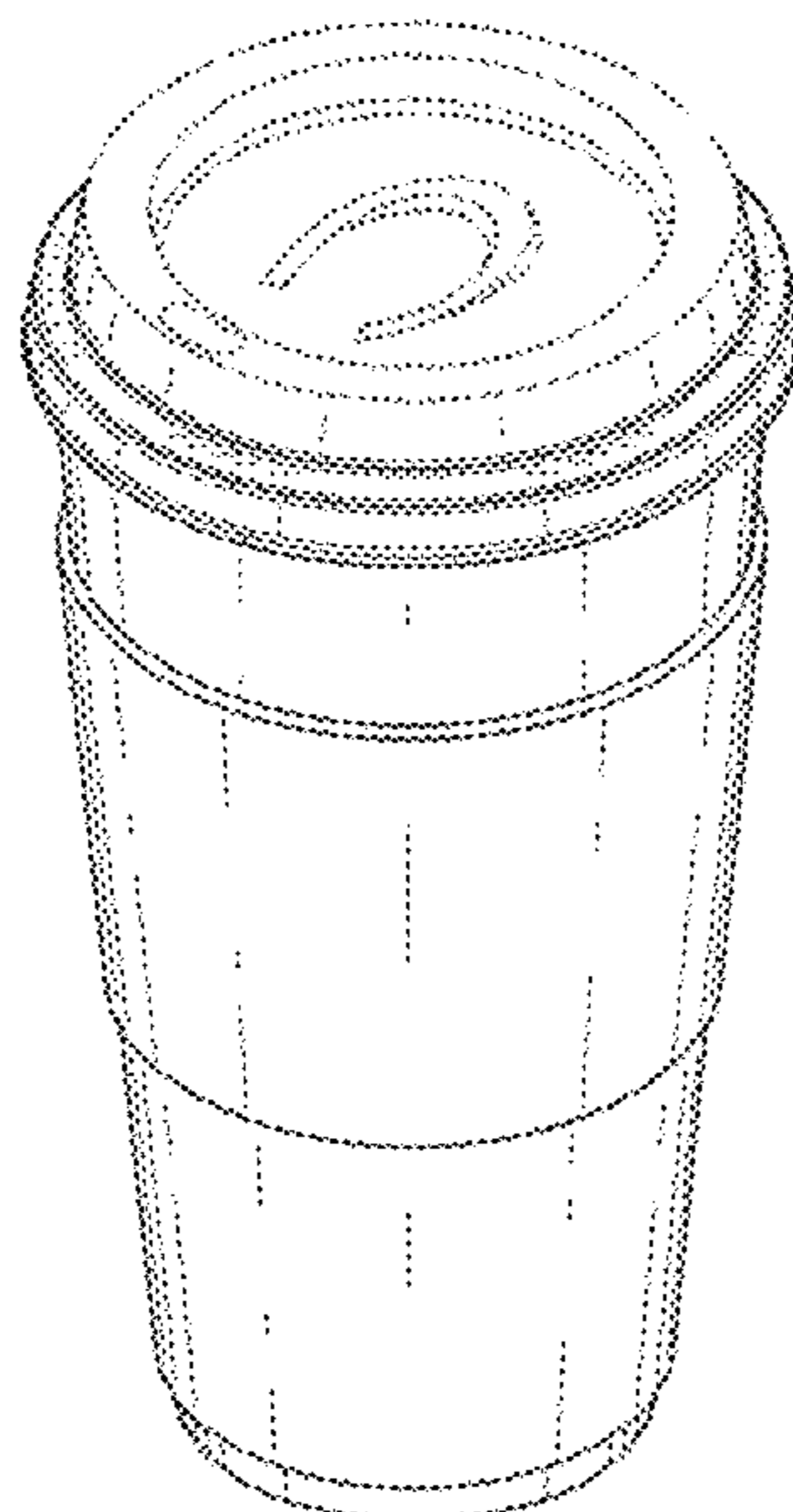
(57) **CLAIM**

We claim the ornamental design for a cup, as shown and  
described.

**DESCRIPTION**

FIG. 1 is a perspective front view of the cup;  
FIG. 2 is a side view of the cup shown in FIG. 1; FIG. 3 is a top  
view of the cup shown in FIG. 1; and,  
FIG. 4 is a bottom view of the cup shown in FIG. 1.  
The broken lines are included for illustrative purposes and  
form no part of the claimed design.

**1 Claim, 3 Drawing Sheets**



# US D658,443 S

Page 2

## U.S. PATENT DOCUMENTS

4,986,437 A 1/1991 Farmer  
 5,205,473 A 4/1993 Coffin, Sr.  
 5,222,656 A \* 6/1993 Carlson ..... 229/403  
 5,253,781 A 10/1993 Van Melle et al.  
 5,363,983 A 11/1994 Proshan  
 5,366,109 A 11/1994 Proshan  
 5,398,843 A 3/1995 Warden et al.  
 5,454,484 A \* 10/1995 Chelossi ..... 220/738  
 5,460,286 A 10/1995 Rush et al.  
 D365,247 S 12/1995 Sokolski et al.  
 D369,109 S 4/1996 Proshan  
 5,509,568 A 4/1996 Warden et al.  
 D371,936 S 7/1996 Goto et al.  
 5,624,053 A 4/1997 Freek et al.  
 D379,928 S 6/1997 Freek et al.  
 5,765,716 A 6/1998 Cai et al.  
 5,798,079 A 8/1998 Freek et al.  
 5,826,786 A 10/1998 Dickert  
 D402,556 S 12/1998 Frye  
 D412,806 S \* 8/1999 Pierce ..... D7/300.1  
 D416,757 S \* 11/1999 Ginuntoli ..... D7/523  
 D417,845 S 12/1999 Sadlier et al.  
 5,996,837 A 12/1999 Freek et al.  
 6,068,182 A 5/2000 Tokunaga  
 6,176,390 B1 1/2001 Kemp  
 D437,185 S 2/2001 Freed  
 D437,223 S 2/2001 Coy et al.  
 D438,298 S 2/2001 McNutt  
 6,265,040 B1 \* 7/2001 Neale et al. .... 428/36.5  
 6,286,709 B1 9/2001 Hudson  
 6,286,754 B1 9/2001 Stier et al.  
 6,419,105 B1 7/2002 Bruce et al.  
 6,419,112 B1 7/2002 Bruce et al.  
 6,431,390 B1 8/2002 Waller  
 6,523,712 B1 2/2003 McGushion  
 D471,764 S 3/2003 Janky  
 D475,578 S 6/2003 Hurlbut et al.  
 D475,891 S \* 6/2003 Bin ..... D7/510  
 D479,692 S 9/2003 Nilsson  
 D485,123 S 1/2004 Gullickson et al.  
 6,814,253 B2 \* 11/2004 Wong ..... 220/739  
 D502,396 S 3/2005 Frisch et al.  
 6,889,859 B1 5/2005 Leon  
 D509,707 S 9/2005 Tien  
 D512,874 S 12/2005 Poulson et al.  
 6,991,128 B1 1/2006 Russo et al.  
 D516,424 S 3/2006 Schweigert et al.  
 D526,190 S 8/2006 Bolt et al.  
 D530,568 S \* 10/2006 Wingenter ..... D7/507  
 D534,770 S 1/2007 Gluck  
 D535,561 S 1/2007 Smith et al.  
 D536,249 S 2/2007 Smith et al.  
 7,175,043 B2 2/2007 O'Neal  
 7,185,781 B2 3/2007 Pitts  
 D539,649 S 4/2007 Smith et al.  
 D539,650 S 4/2007 Smith et al.  
 D540,167 S 4/2007 Smith et al.  
 D543,777 S 6/2007 Seum et al.  
 D547,605 S 7/2007 Edelstein et al.  
 7,246,716 B2 7/2007 Durdon  
 D548,012 S 8/2007 Tien  
 7,284,676 B2 10/2007 Dantani  
 D556,509 S \* 12/2007 Bonini ..... D7/507  
 D569,246 S 5/2008 Thanisch et al.  
 D570,213 S 6/2008 Newman  
 7,380,685 B2 6/2008 Simmons et al.  
 D572,083 S 7/2008 Tien  
 D590,662 S 4/2009 Cheng  
 D591,151 S 4/2009 Freeman  
 D591,595 S 5/2009 Tedford, Jr.  
 D592,056 S 5/2009 Tedford, Jr.  
 7,537,136 B2 \* 5/2009 Hechmati ..... 220/739  
 D593,361 S 6/2009 Hundley  
 D597,725 S 8/2009 Smeaton  
 D599,622 S \* 9/2009 Gilbert et al. .... D7/538  
 7,581,640 B2 9/2009 Lopez  
 7,591,393 B2 9/2009 Crudgington, Jr.  
 D601,852 S \* 10/2009 Newman ..... D7/532

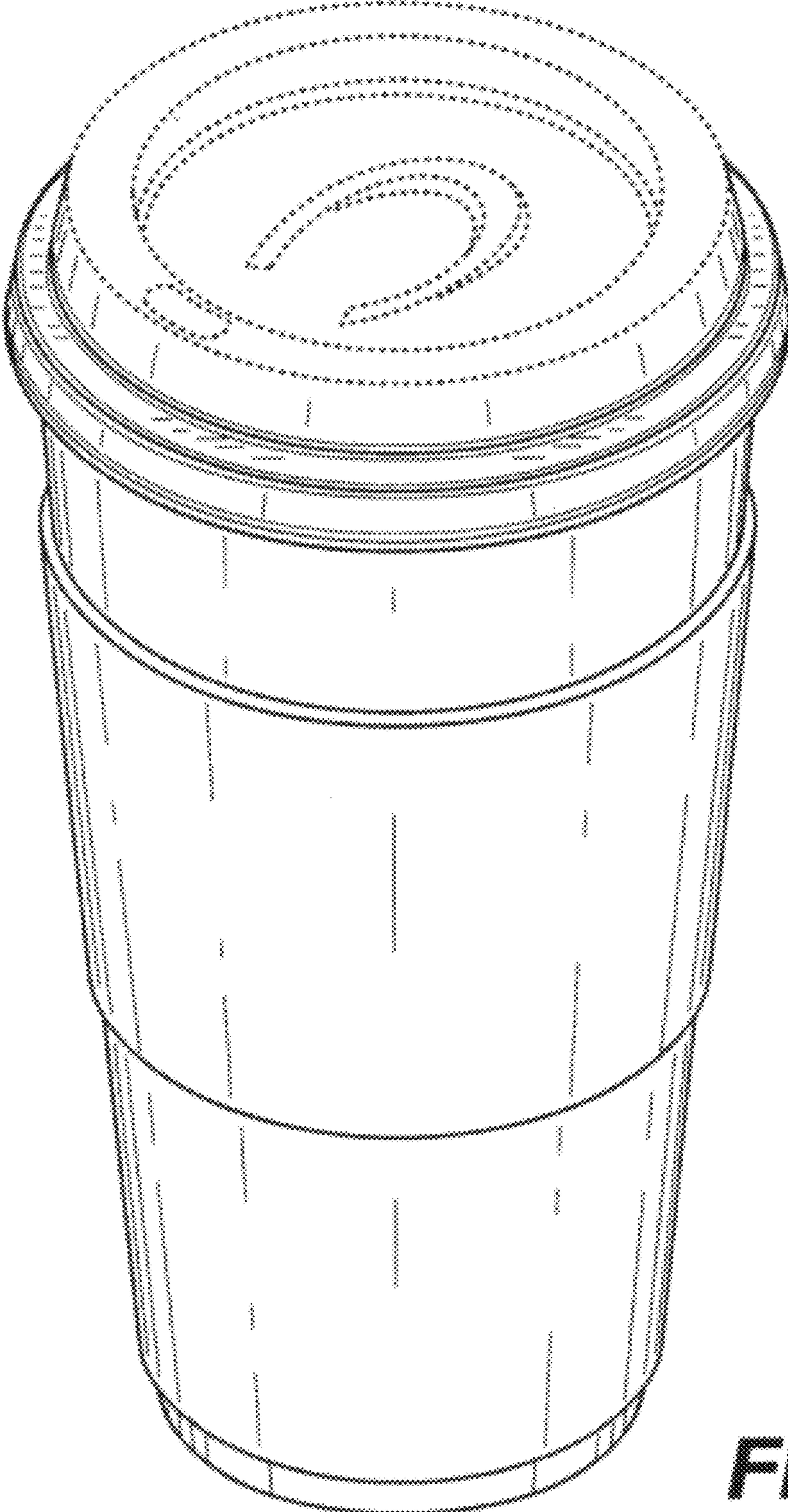
7,614,523 B1 11/2009 Fixler et al.  
 D606,364 S \* 12/2009 Gilbert et al. .... D7/510  
 D608,147 S \* 1/2010 Sykes ..... D7/507  
 7,717,325 B2 \* 5/2010 Puls et al. .... 229/403  
 D618,967 S \* 7/2010 Bodum ..... D7/615  
 D621,659 S 8/2010 Liu  
 D622,546 S 8/2010 Bodum  
 D623,474 S 9/2010 Carlson et al.  
 D623,476 S \* 9/2010 Carlson et al. .... D7/510  
 D640,094 S \* 6/2011 Carlson et al. .... D7/510  
 2004/0084452 A1 5/2004 Hsieh  
 2004/0128877 A1 \* 7/2004 Luedde ..... 40/306  
 2005/0173443 A1 8/2005 Crudgington, Jr.  
 2005/0211713 A1 9/2005 Goeking et al.  
 2005/0224505 A1 10/2005 Brown et al.  
 2006/0071008 A1 4/2006 Sadlier  
 2006/0169707 A1 8/2006 Walz et al.  
 2006/0186129 A1 \* 8/2006 Allnutt et al. .... 220/737  
 2006/0226148 A1 10/2006 Hundley et al.  
 2006/0243734 A1 11/2006 Tedford, Jr.  
 2007/0023442 A1 2/2007 Auzenne  
 2007/0114236 A1 5/2007 Shiffer et al.  
 2007/0181591 A1 \* 8/2007 Pierce et al. .... 220/801  
 2008/0000921 A1 1/2008 Leon  
 2008/0041862 A1 2/2008 Bal  
 2008/0061069 A1 3/2008 Edelstein et al.  
 2008/0078824 A1 4/2008 Spriegel et al.  
 2009/0050641 A1 2/2009 Ivey  
 2009/0236409 A1 9/2009 Flores  
 2009/0266829 A1 10/2009 Bailey  
 2009/0283535 A1 11/2009 Mesalic  
 2009/0294459 A1 12/2009 Hovsepian et al.  
 2009/0294460 A1 12/2009 Hovsepian et al.  
 2010/0012657 A1 1/2010 Levey

## OTHER PUBLICATIONS

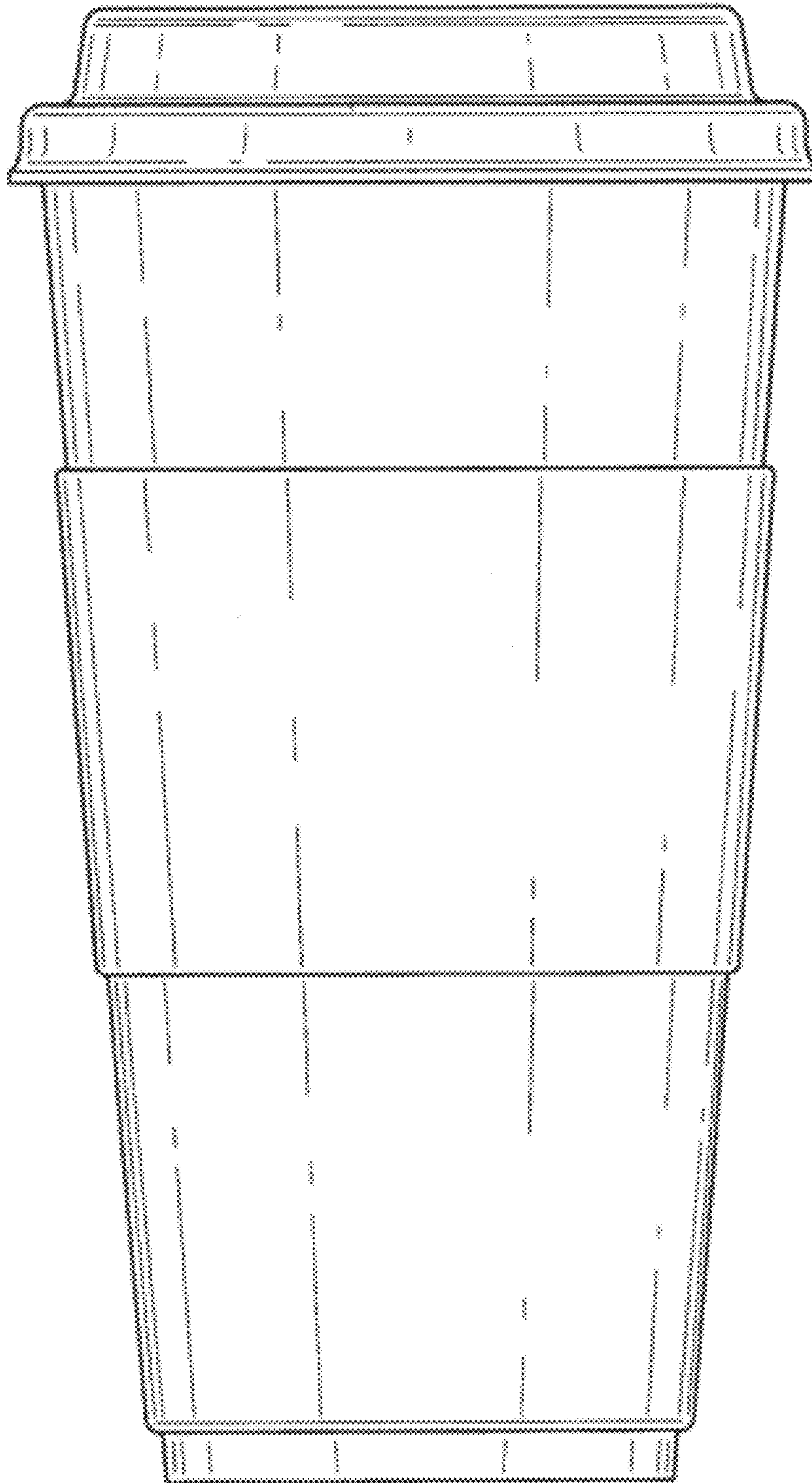
Pattern Non-Paper Cup, Set of 2, jjam 1303's wish list, Nov. 15 2009, www.wishpot.com (1 page).  
 Caribou Cup, Flickr—Photo Sharing, 2 pages, Feb. 15, 2008.  
 Seasonal Dirty Chai, Flickr—Photo Sharing! 2 pages, Nov. 9, 2008.  
 15 Minutes Late, Flickr—Photo Sharing! 2 pages, Dec. 12, 2008.  
 Caribou's Christmas Cups Rock, Flickr, Photo Sharing! 1 page Nov. 27, 2005.  
 Coffee Bean & Tea Leaf, Flickr—Photo Sharing! 1 page, Jan. 10, 2007.  
 The Coffee Bean & Tea Leaf, Flickr—Photo Sharing! 2 pages, Nov. 20, 2008.  
 Coffee Bean and tea leaf, Flickr—Photo Sharing! 1 page, Nov. 23, 2008.  
 Café latte at coffee bean & tea leaf, Flickr—Photo Sharing! 1 page, Mar. 25, 2005.  
 Stopping for nourishment, Flickr—Photo Sharing! 2 pages, Aug. 14, 2005.  
 Small Coffee from Coffee Beanery, Flickr—Photo Sharing! 1 page, Feb. 3, 2007.  
 Tollef likes this coffee photo, Flickr—Photo Sharing! 1 page, Dec. 14, 2007.  
 Coffee Beanery, Flickr—Photo Sharing! 2 pages, Apr. 19, 2006.  
 Dunkin' Donuts—A morning Ritual, Flickr—Photo Sharing! 2 pages, May 4, 2007.  
 Dunkin' Donuts—mmmmm . . . caffeine, Flickr—Photo Sharing! 2 pages, Aug. 14, 2008.  
 Dunkin Donuts on the Porch, Flickr—Photo Sharing! 2 pages Oct. 3, 2007.  
 Thanks a latte . . . —Flickr—Photo Sharing! 1 page, Mar. 22, 2008.  
 Happy HoliDDays—Flickr—Photo Sharing! 1 page, Dec. 22, 2008.  
 Dunkin' Donuts—Flickr—Photo Sharing! 2 pages, Sep. 26, 2006.  
 Gloria Jeans Coffee Cup—Flickr—Photo Sharing! Mar. 22, 2008.  
 @ Gloria Jean's—Flickr—Photo Sharing! 1 page, Jul. 7, 2007.  
 McDonald's Coffee, Flickr—Photo Sharing! 2 page, Dec. 3, 2008.  
 McDonald's Premium Roast Coffee—Flickr—Photo Sharing! 1 page, Feb. 16, 2008.  
 20/12/2006 McCafe Caffe Latte—Flickr—Photo Sharing! 1 page, Dec. 20, 2006.

- Pancakes . . . Coffee.—Flickr—Photo sharing! 2 pages Aug. 30, 2006.
- McDo Coffee—Flickr—Photo Sharing! 2 pages, Feb. 14, 2008.
- Found Coffee Cups III—Flickr—Photo Sharing! 1 page, Apr. 30, 2008.
- 365 Cups: day nineteen.—Flickr—Photo Sharing! 2 pages, Feb. 1, 2007.
- Morning is Forgiving—Flickr—Photo Sharing! 1 page May 26, 2007.
- McDonald's Coffee Cup—Flickr Photo Sharing! 1 page, Jan. 14, 2008.
- McDonald's Airport Coffee—Flickr—Photo Sharing! 1 page, Jul. 17, 2005.
- Grand(e) Coffee Cup Lineup—Flickr—Photo Sharing! 1 page, Dec. 7, 2006.
- Seattle Coffee Stand—Flickr—Photo Sharing! 1 page, Jun. 4, 2008.
- Sunset Cozy—Front View—Flickr—Photo Sharing 2 pages, Nov. 20, 2007.
- Frontier Café Coffee Cup—Flickr—Photo Sharing! 1 page, Sep. 19, 2008.
- Torrefazione Coffee Cup—Flickr—Photo Sharing! 1 page, Sep. 21, 2008.
- Playing with Coffee Cups—Flickr—Photo Sharing! 2 pages, Apr. 13, 2005.
- Panera—Flickr—Photo Sharing! 2 pages, May 18, 2008.
- IMG\_0513—Flickr—Photo Sharing! 1 page, Sep. 22, 2008.
- Panera Coffee—Flickr—Photo Sharing! 1 page, May 1, 2006.
- A Cup of Peets Coffee—Flickr—Photo Sharing! 1 page Jun. 3, 2007.
- Peets Pattern—Flickr—Photo Sharing! 1 page, Feb. 8, 2008.
- Peet's Coffee—Flickr—Photo Sharing! 1 page, Apr. 13, 2008.
- Americano—Flickr—Photo Sharing! 1 page, Apr. 21, 2008.
- Numbers—37/365—Flickr—Photo Sharing! 2 pages, Aug. 6, 2008.
- Life: This is a Peet's Medium Latte and a Butter Croissant. (week 6,38/365, jreyes)—Flickr—. . . 1 page, Jan. 7, 2008.
- I'm trying an experiment—Flickr—Photo Sharing! 2 pages, May 11, 2008.
- Joe—Flickr—Photo Sharing! 1 page, Jan. 14, 2008.
- Seattles Best—Flickr, 1 page, Jun. 13, 2008.
- 070302 Starbucks—Flickr—Photo Sharing! 1 page, Mar. 3, 2007.
- The Starbucks Family—Flickr—Photo Sharing! 1 page, Feb. 16, 2000.
- Holiday Season—Flickr—Photo Sharing! 1 page, Jan. 1, 2002.
- Freshly Pre-packaged Starbucks—Flickr—Photo Sharing! 1 page, Jan. 4, 2007.
- Starbucks Cup—Flickr—Photo Sharing! 1 page, Mar. 27, 2006.
- Coffee Consumption—Flickr—Photo Sharing! 1 page, Jan. 12, 2007.
- Starbucks Cup—Flickr—Photo Sharing! 2 pages, Oct. 29, 2006.
- Starbucks Cups Pile up after a day or so—Flickr—Photo Sharing! 2 pages, Apr. 24, 2008.
- Special Edition Starbucks Coffee Cups Christmas Ornaments—Flickr—Photo Sharing! 1 page, Feb. 4, 2008.
- Starbucks Coffee Cup with my Ipod—Flickr—Photo Sharing! 2 pages, Dec. 24, 2006.
- Yuck. (aka New "Pike Place" Brew Sucks)—Flickr—Photo Sharing! 3 pages, Apr. 13, 2008.
- New Cups at Starbucks . . . People will be talking.—Flickr—Photo Sharing! 1 page, Apr. 8, 2008.
- Starbucks Cup Front—Flickr—Photo Sharing! 1 page, Nov. 20, 2008.
- Starbucks Cups—Flickr—Photo Sharing! 2 pages, Sep. 23, 2008.
- 'Tis the Season—14 of 365 Days. My Favorite Drink . . . —Flickr—Photo Sharing! 2 pages, Nov. 18, 2006.
- Starbucks "Akeelah" Sleeve—Flickr—Photo Sharing! 1 page, Apr. 9, 2006.
- IMG\_0096—Flickr—Photo Sharing! 2 pages, Sep. 11, 2006.
- Cup by the Fountain—Flickr—Photo Sharing! 2 pages, May 27, 2006.
- Timmy's Cup on the Beach—Flickr—Photo Sharing! 1 page, Jul. 5, 2008.
- DSC04977 Tim Horton—Flickr—Photo Sharing! 1 page, Sep. 23, 2007.
- POD49 Contractor Classic, Tim Horton—Flickr—Photo Sharing! 1 page, Oct. 16, 2008.
- American Tim Hortons Cups—Flickr—Photo Sharing! 1 page, Dec. 8, 2007.
- Holiday Coffee, Tim Hortons, Flickr—Photo Sharing! 2 pages, Dec. 9, 2005.
- Tims—Flickr—Photo Sharing! 1 page, Jun. 17, 2007.
- Eco Cup Holiday Edition, DCi Product Décor Craft Inc., Apr. 2008, Décor Craft Inc., www.dcigift.com (1 page).

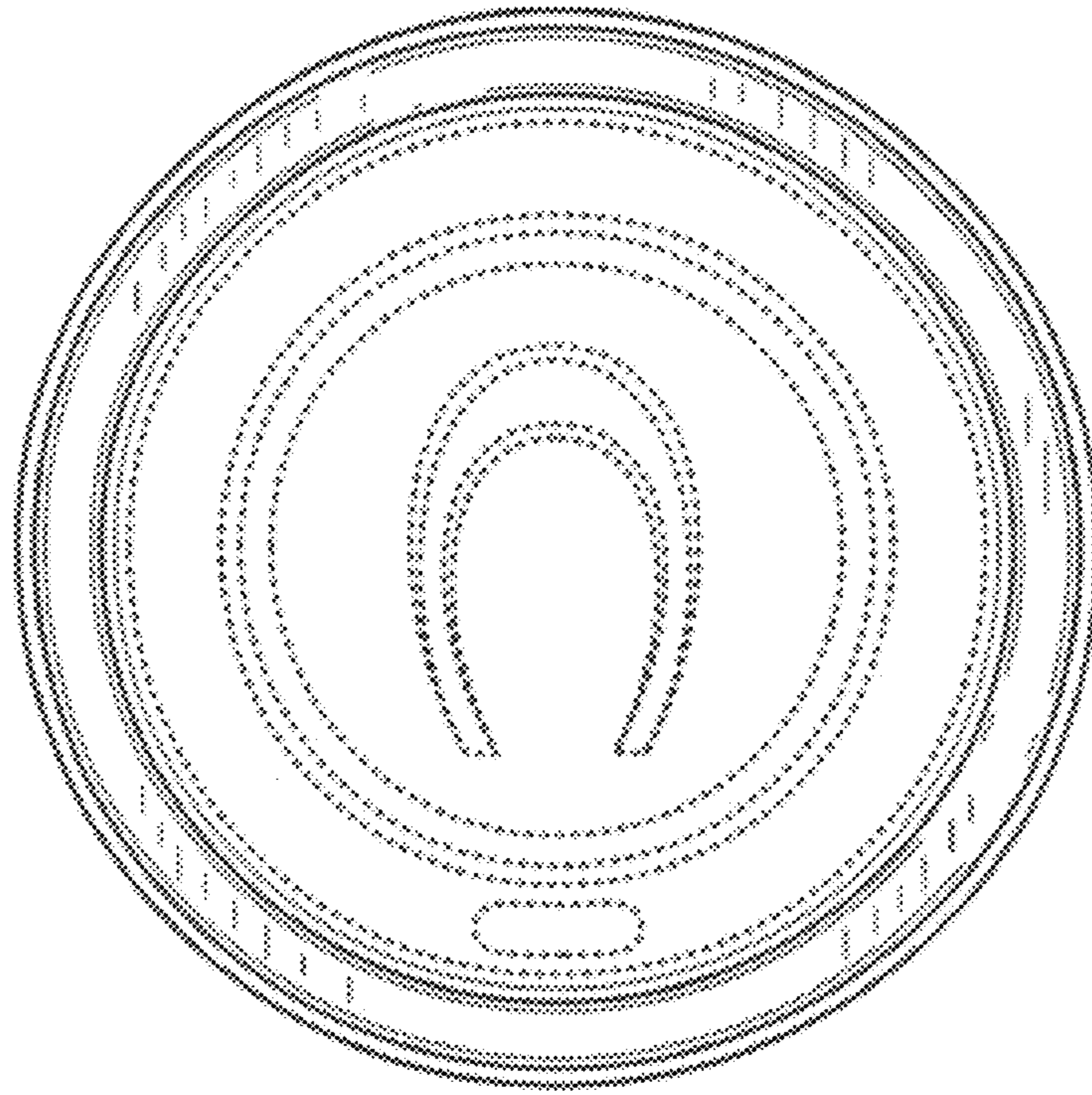
\* cited by examiner



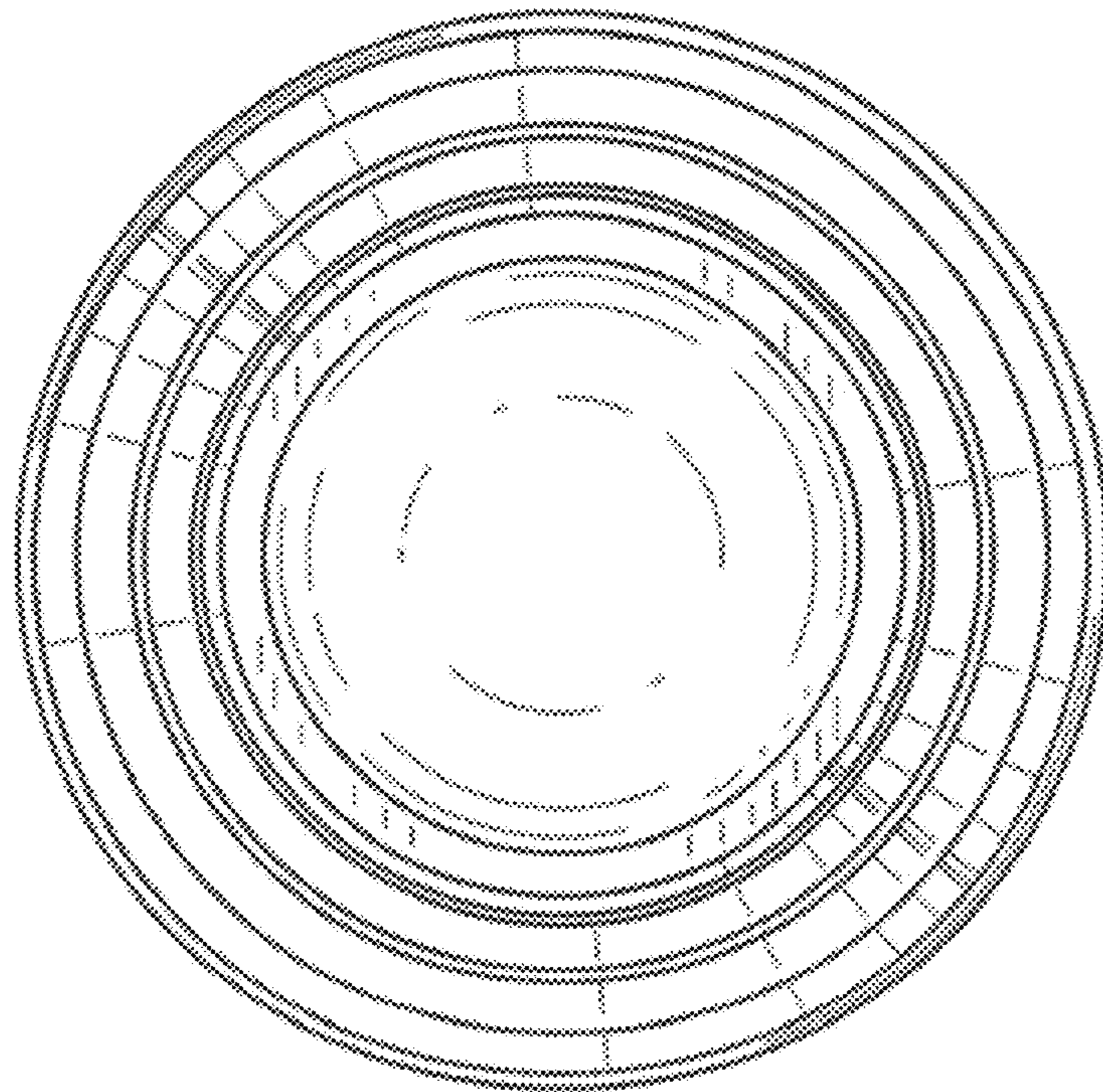
**FIG. 1**



**FIG. 2**



**FIG. 3**



**FIG. 4**