



US00D658442S

(12) **United States Design Patent**
Mongeon et al.

(10) **Patent No.:** **US D658,442 S**

(45) **Date of Patent:** **** May 1, 2012**

(54) **DISPENSER AND LID SET**

(75) Inventors: **Murphy Greene Mongeon**, Baltimore, MD (US); **Ian Andrew Carnduff**, New York, NY (US); **Akina Kurihara**, Brooklyn, NY (US)

(73) Assignee: **The Procter & Gamble Company**, Cincinnati, OH (US)

(**) Term: **14 Years**

(21) Appl. No.: **29/364,921**

(22) Filed: **Jun. 30, 2010**

(51) **LOC (9) Cl.** **07-01**

(52) **U.S. Cl.** **D7/505; D9/435**

(58) **Field of Classification Search** 229/123.1; 220/359.3, 359.1; 215/232; 206/530; D9/710, D9/701, 702, 707, 499, 457, 456, 454, 438, D9/435, 434, 432, 431, 428; D7/505, 900, D7/396.2

See application file for complete search history.

(56) **References Cited**

U.S. PATENT DOCUMENTS

D258,199 S	2/1981	Torongo	
D398,813 S *	9/1998	Franzese	D7/396.2
D402,894 S	12/1998	Elia	
D411,747 S	6/1999	Kokenge	
D411,800 S	7/1999	Kokenge	
D419,881 S	2/2000	Kokenge	
D424,943 S	5/2000	Kokenge	
D443,040 S	5/2001	Fabian	
D489,258 S	5/2004	Hollmann	
D489,616 S *	5/2004	Bakic	D9/448
D504,818 S *	5/2005	Bakic	D9/449
D520,370 S	5/2006	Priestman	
D524,661 S	7/2006	Blasko et al.	
D525,143 S	7/2006	Blasko et al.	

D526,211 S	8/2006	Blasko et al.	
D526,908 S	8/2006	Blasko et al.	
D527,277 S	8/2006	Blasko et al.	
D535,880 S *	1/2007	Penfold et al.	D9/454
D541,156 S *	4/2007	Florio	D9/454
D544,368 S	6/2007	Blasko et al.	
D547,661 S	7/2007	Blasko et al.	

(Continued)

FOREIGN PATENT DOCUMENTS

CN 301089153 12/2008

(Continued)

OTHER PUBLICATIONS

Canadian Industrial Designs Database, Registration No. 123537, Date of Registration Sep. 3, 2008; Title: Jar; 5 pages.

(Continued)

Primary Examiner — Cynthia Underwood

(74) *Attorney, Agent, or Firm* — S. Robert Chuey

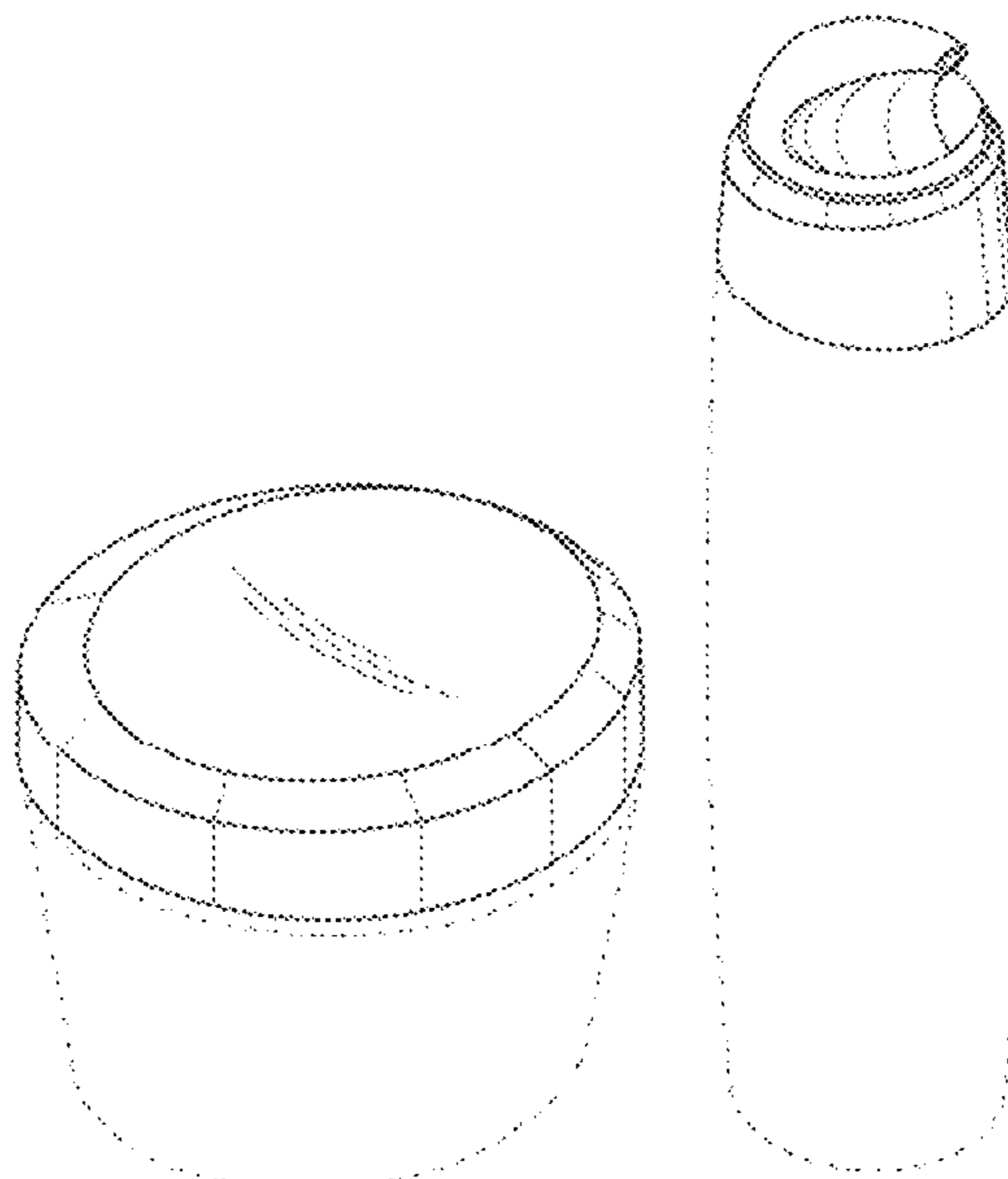
(57) **CLAIM**

The ornamental design for a dispenser and lid set, as shown and described.

DESCRIPTION

FIG. 1 is a perspective view of a dispenser and lid set showing an embodiment of the new design, FIG. 2 is front elevation view of FIG. 1, FIG. 3 is a rear elevation view of FIG. 1, FIG. 4 is a right side elevation view of FIG. 1, FIG. 5 is a left side elevation view of FIG. 1, FIG. 6 is a top plan view of FIG. 1; and, FIG. 7 is a bottom plan view of FIG. 1. Broken lines are for illustrative purposes only and form no part of the design.

1 Claim, 7 Drawing Sheets



US D658,442 S

Page 2

U.S. PATENT DOCUMENTS

D558,591 S 1/2008 Blasko et al.
D562,142 S 2/2008 Bunce
D570,707 S 6/2008 Blasko et al.
D630,944 S * 1/2011 Kawamura D9/454
D635,019 S * 3/2011 Goto et al. D9/435
D635,024 S * 3/2011 Stolle D9/449
D635,025 S * 3/2011 Stolle D9/449
D636,675 S * 4/2011 Mongeon et al. D9/454
D646,164 S * 10/2011 Mongeon et al. D9/445

FOREIGN PATENT DOCUMENTS

CN 301089154 12/2008
CN 300938550 6/2009
CN 300964172 7/2009
CN 300990489 8/2009
CN 301089138 12/2009
CN 301089151 12/2009
EM 000447362.0002 12/2005
EM 000447362.0003 12/2005

EM 000569272.0004 8/2006
EM 000951918.0001 7/2008
EM 001143176.0003 6/2009
KR 300424855.0000 9/2006
KR 300494210.0000 6/2008

OTHER PUBLICATIONS

Canadian Industrial Designs Database, Registration No. 85091, Date of Registration Nov. 6, 1998; Title: Container for Creamy Goods; 6 pages.

“Max Factor ColorGenius Foundation with Minerals”, Record ID 964168, <http://www.gnpd.com>; Published Aug. 2008 (3 pages).

“Max Factor Color Adapt Foundation”, Record ID 10152475, <http://www.gnpd.com>; Published Oct. 2003 (2 pages).

“Covergirl Advanced Radiance Makeup”, Record ID 427825, <http://www.gnpd.com>; Published Jan. 2006 (3 pages).

“CoverGirl Tru Blend Makeup”, Record ID 10156634, <http://www.gnpd.com>; Published 2003 (2 pages).

* cited by examiner

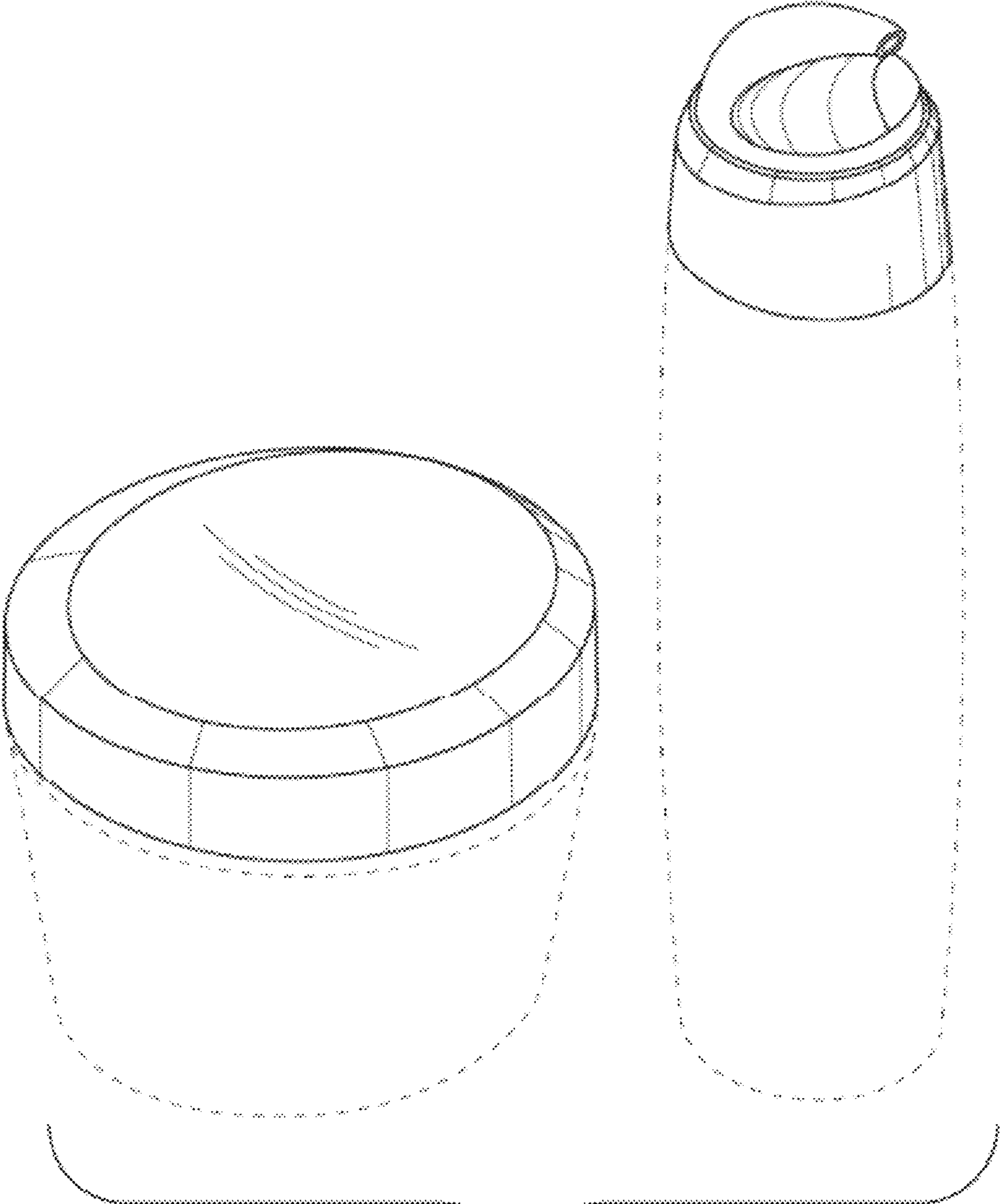


Fig. 1

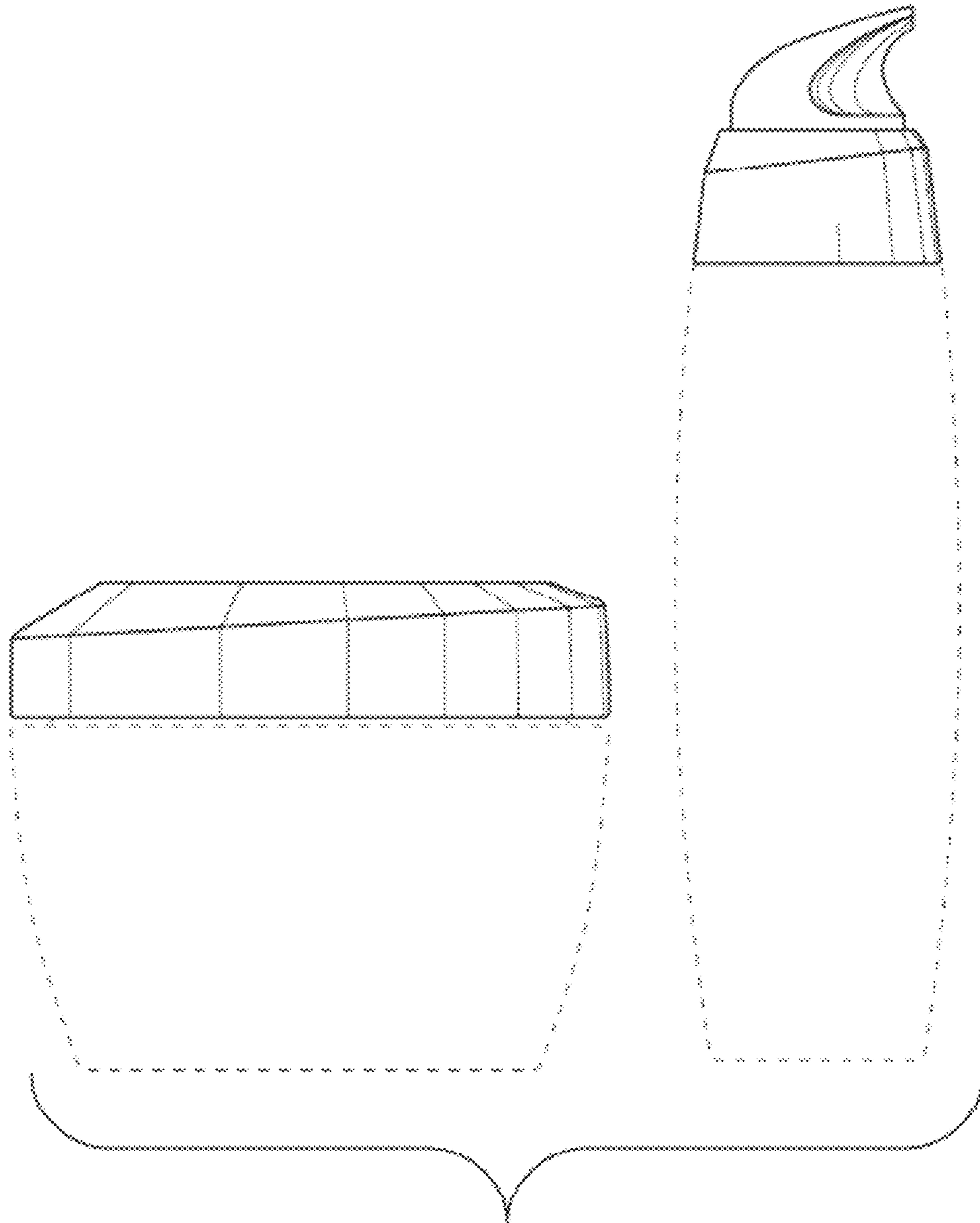


Fig. 2

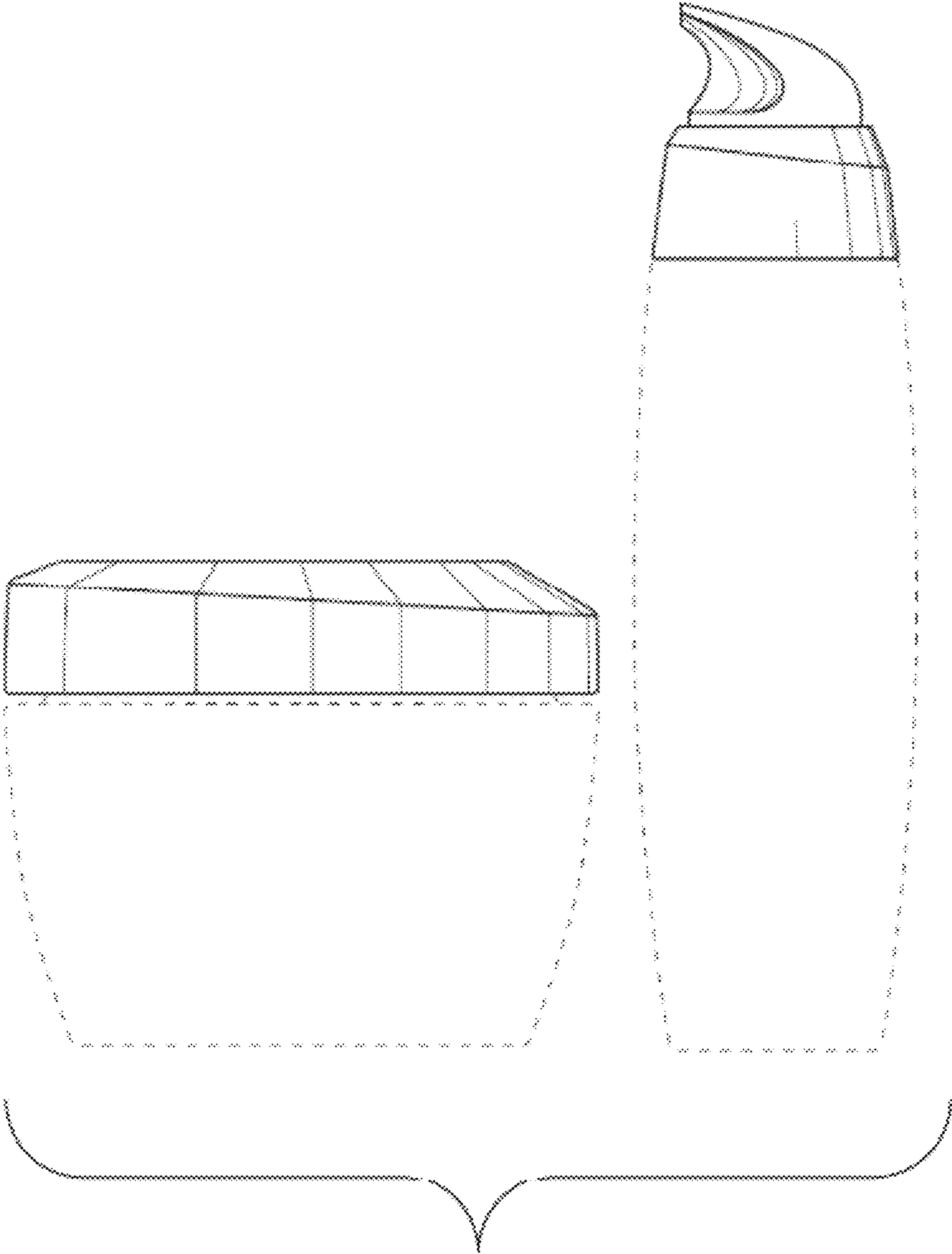


Fig. 3

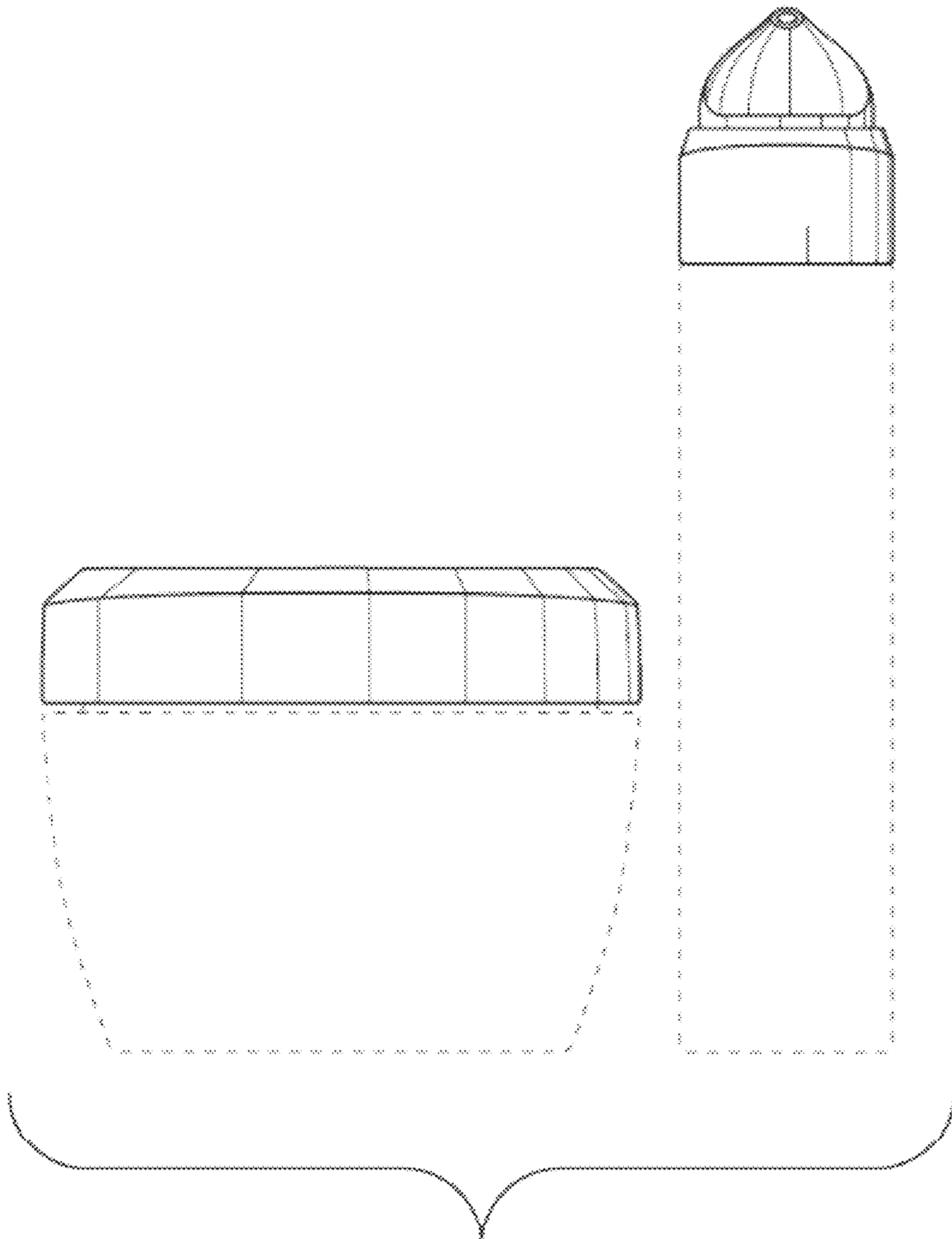


Fig. 4

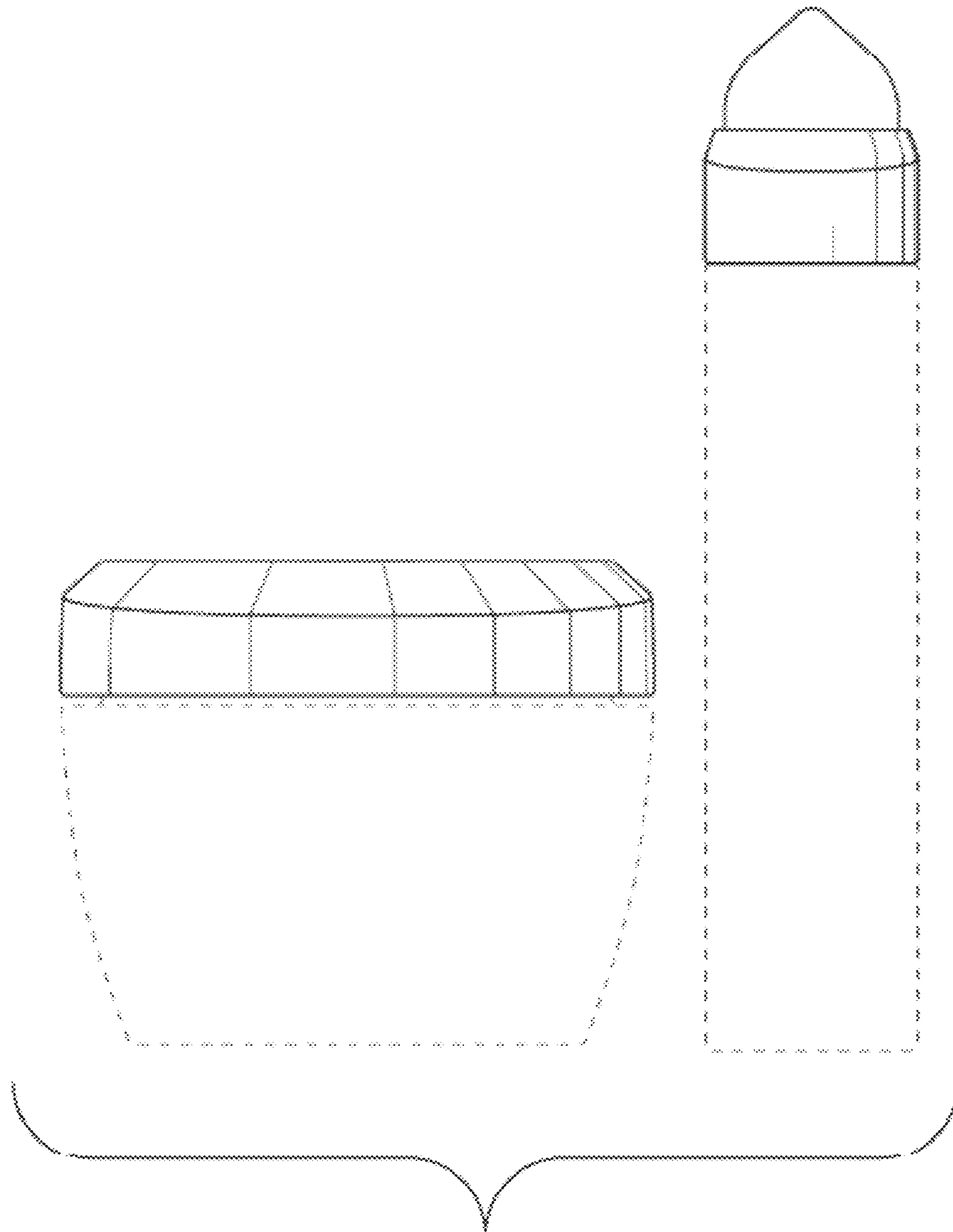


Fig. 5

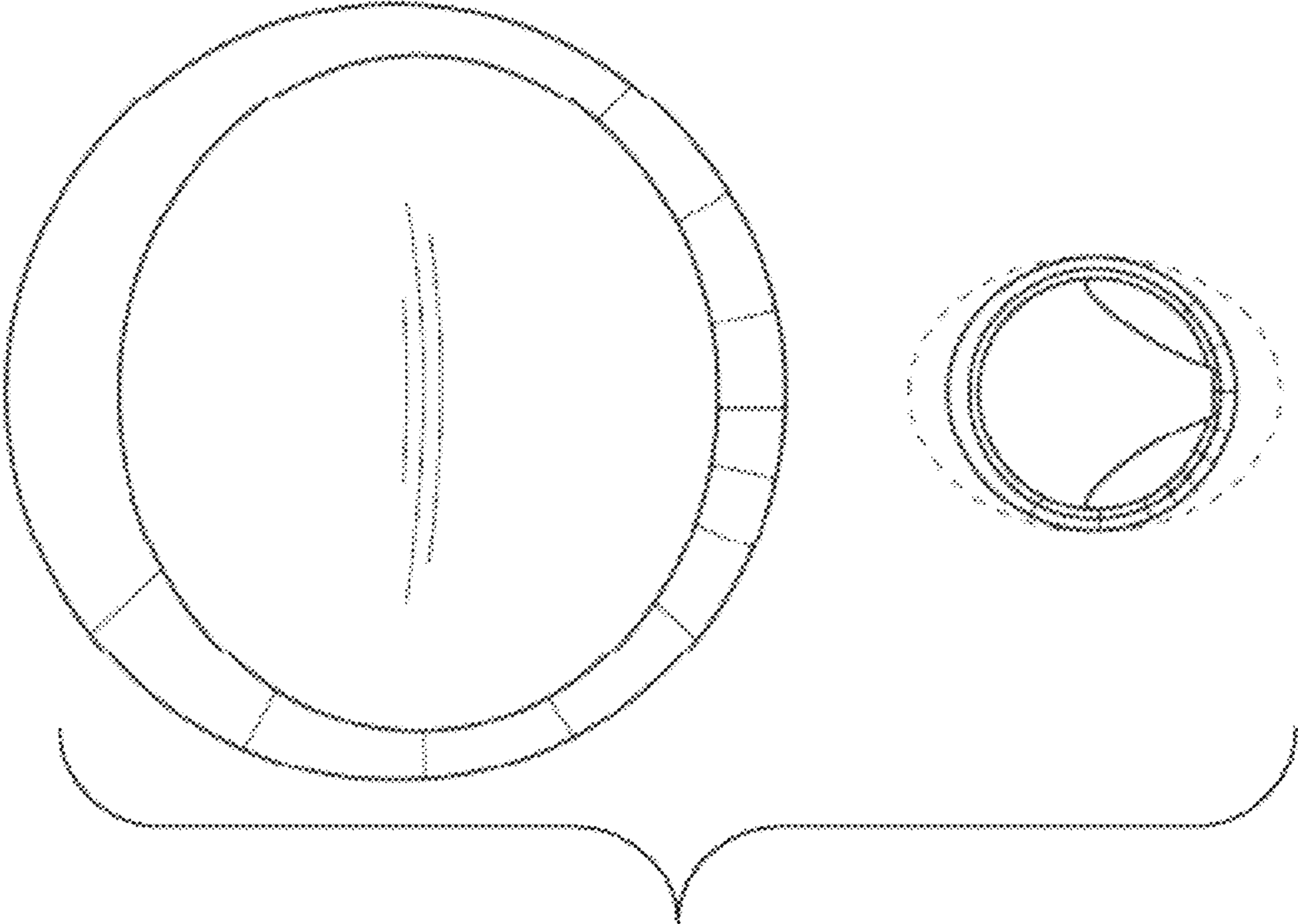


Fig. 6

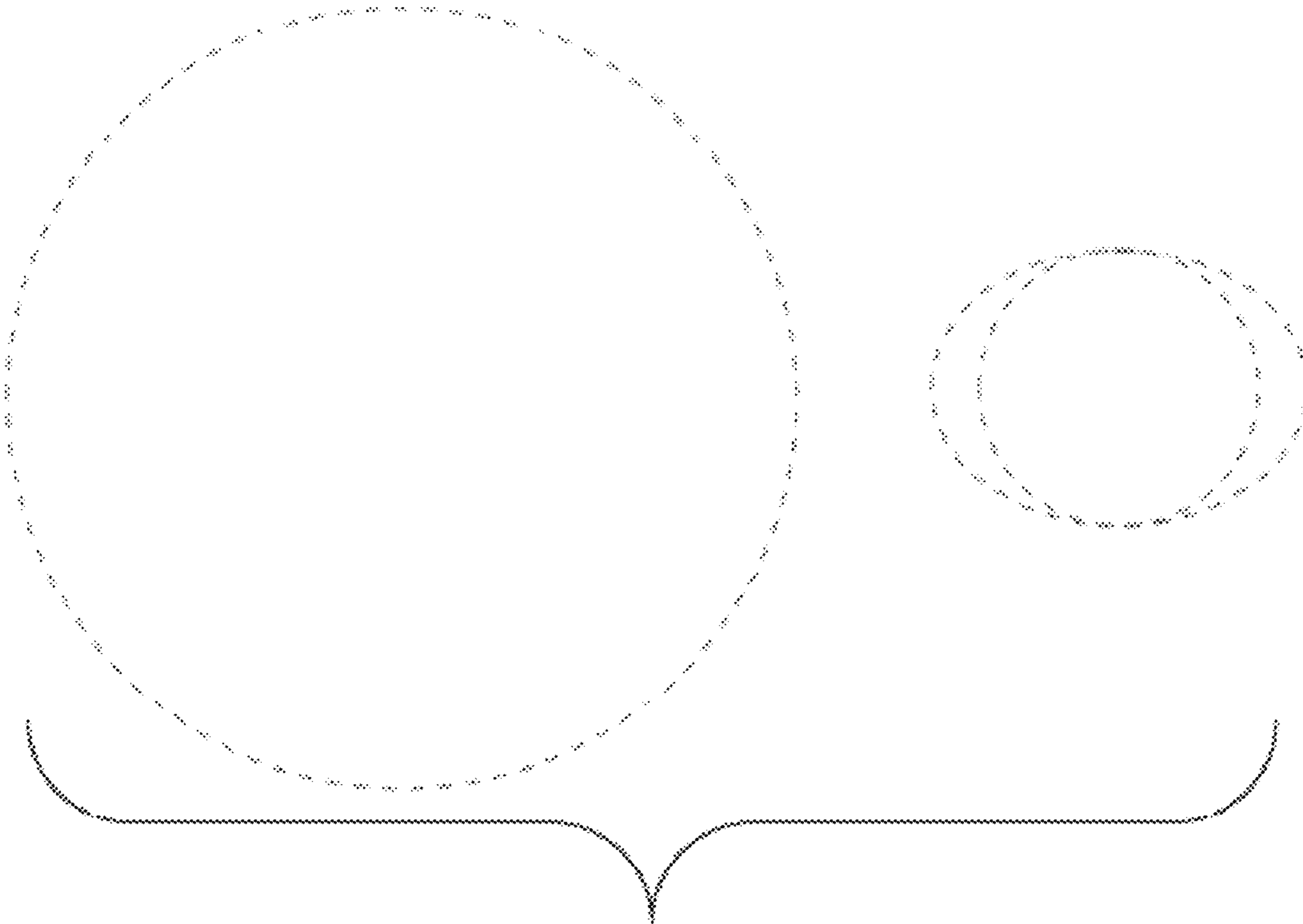


Fig. 7