



US00D658441S

(12) **United States Design Patent**
Borovicka et al.

(10) **Patent No.:** **US D658,441 S**

(45) **Date of Patent:** **** May 1, 2012**

(54) **COMBINATION SKEWERED FOOD RACK AND WARMING TRAY**

(75) Inventors: **Cory Thomas Borovicka**, Oakland, CA (US); **Charles Adams**, Berkeley, CA (US); **Richard Alva Lemire, Jr.**, Newport Beach, CA (US)

(73) Assignee: **Charcoal Companion Incorporated**, Emeryville, CA (US)

(**) Term: **14 Years**

(21) Appl. No.: **29/398,905**

(22) Filed: **Aug. 5, 2011**

(51) **LOC (9) Cl.** **07-02**

(52) **U.S. Cl.** **D7/409; D7/354**

(58) **Field of Classification Search** D7/323, D7/329-332, 337, 339, 346-347, 350.1-350.4, D7/354-365, 391, 393, 395, 402, 408-409, D7/505, 538, 542, 549, 587, 667, 698; 99/324-325, 99/331-332, 337-340, 396, 400-419, 421 H, 99/421 HH, 425, 444-446, 450; 126/9 R, 126/25 A, 25 R, 41 R, 275 R, 332, 380.1, 126/390.1; 211/60.1, 85.4; 219/400, 405, 219/435-442, 620-624, 725, 730-735; 220/485, 220/491, 573.1-573.5, 759, 912; 426/144, 426/438, 441, 523; 428/44, 131, 604
See application file for complete search history.

(56) **References Cited**

U.S. PATENT DOCUMENTS

D148,943	S	*	3/1948	Nassif	D7/365
3,297,166	A	*	1/1967	Summers	211/60.1
3,858,495	A	*	1/1975	Gotwalt	99/421 HH
D252,128	S	*	6/1979	Olson	D7/409
D275,170	S	*	8/1984	Bentson	D7/409
D277,540	S	*	2/1985	Thomas et al.	D7/337
D302,229	S	*	7/1989	Gilgore et al.	D7/409
5,715,744	A	*	2/1998	Coutant	99/421 H

D417,124	S	*	11/1999	Chen	D7/409
5,996,820	A	*	12/1999	Broadnax	211/85.4
D456,204	S		4/2002	Schulein		
D558,520	S	*	1/2008	Raichlen et al.	D7/409

OTHER PUBLICATIONS

The Fulham Group, S'More to Love, 2011 online catalog, <http://www.thefulhamgroup.com/content/smores-love>, Newton, MA, USA.

* cited by examiner

Primary Examiner — Ricky Pham

(74) *Attorney, Agent, or Firm* — Donald L. Beeson; Beeson Skinner Beverly, LLP

(57) **CLAIM**

The ornamental design for a combination skewered food rack and warming tray, as shown and described.

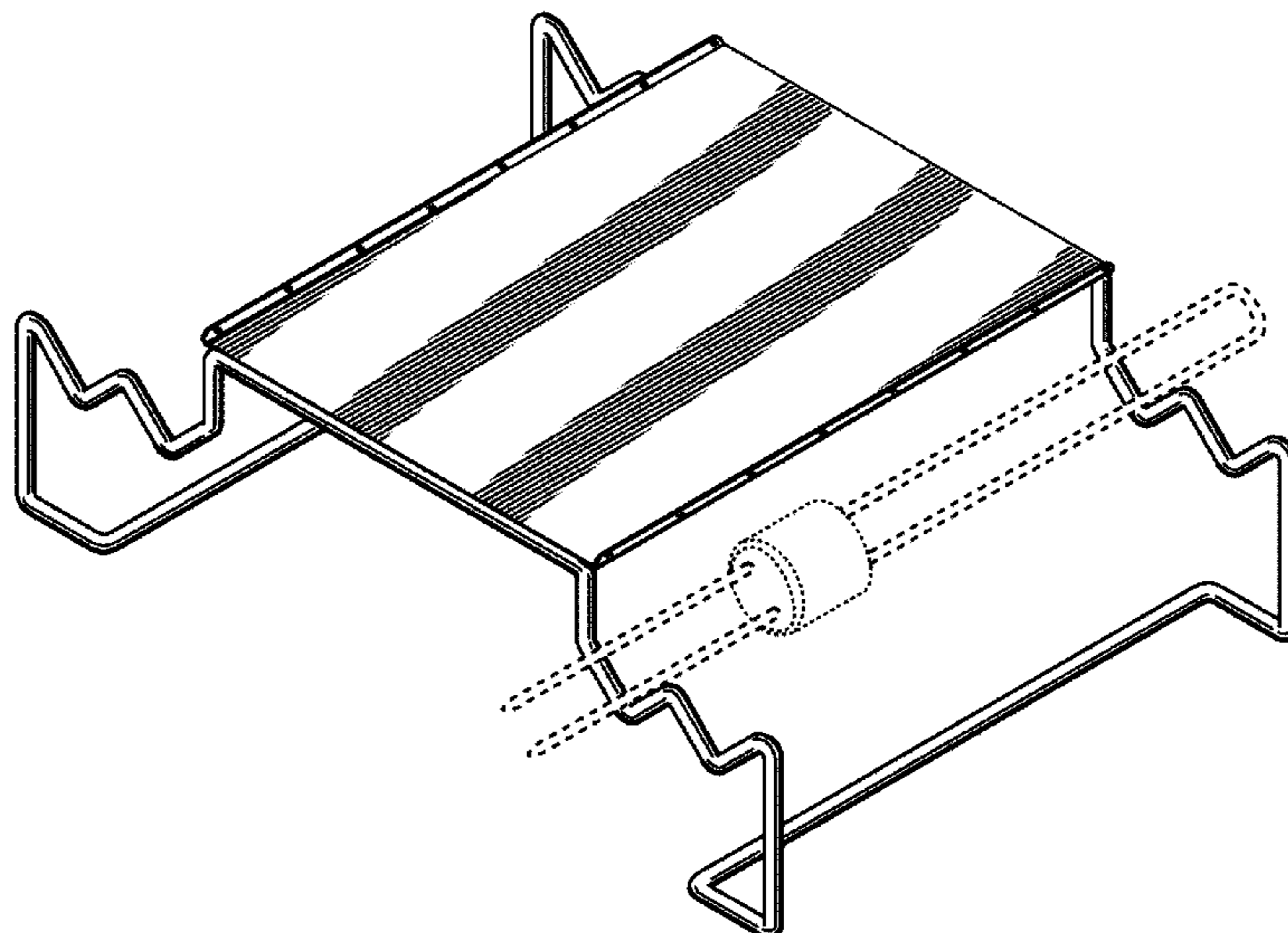
DESCRIPTION

FIG. 1 is a top perspective view of a combination skewered food rack and warming tray showing our new design; FIG. 2 is a left end elevational view thereof; FIG. 3 is a left side elevational view thereof; FIG. 4 is a right end elevational view thereof; FIG. 5 is a right side elevational view thereof; FIG. 6 is a top plan view thereof; and, FIG. 7 is a bottom plan view thereof.

The broken line showing of a skewer and a marshmallow on the skewer is for the purpose of illustrating uses of the skewered food rack and forms no part of the claimed design.

The combination skewered food rack and warming tray of our new design can, for example, be used to make smores on a barbecue grill, wherein the marshmallows are heated on the skewered food racks as shown by the broken line showing of a skewer and a marshmallow on the skewer in FIG. 1, and graham crackers with chocolate are heated on the warming tray between the skewered food racks.

1 Claim, 4 Drawing Sheets



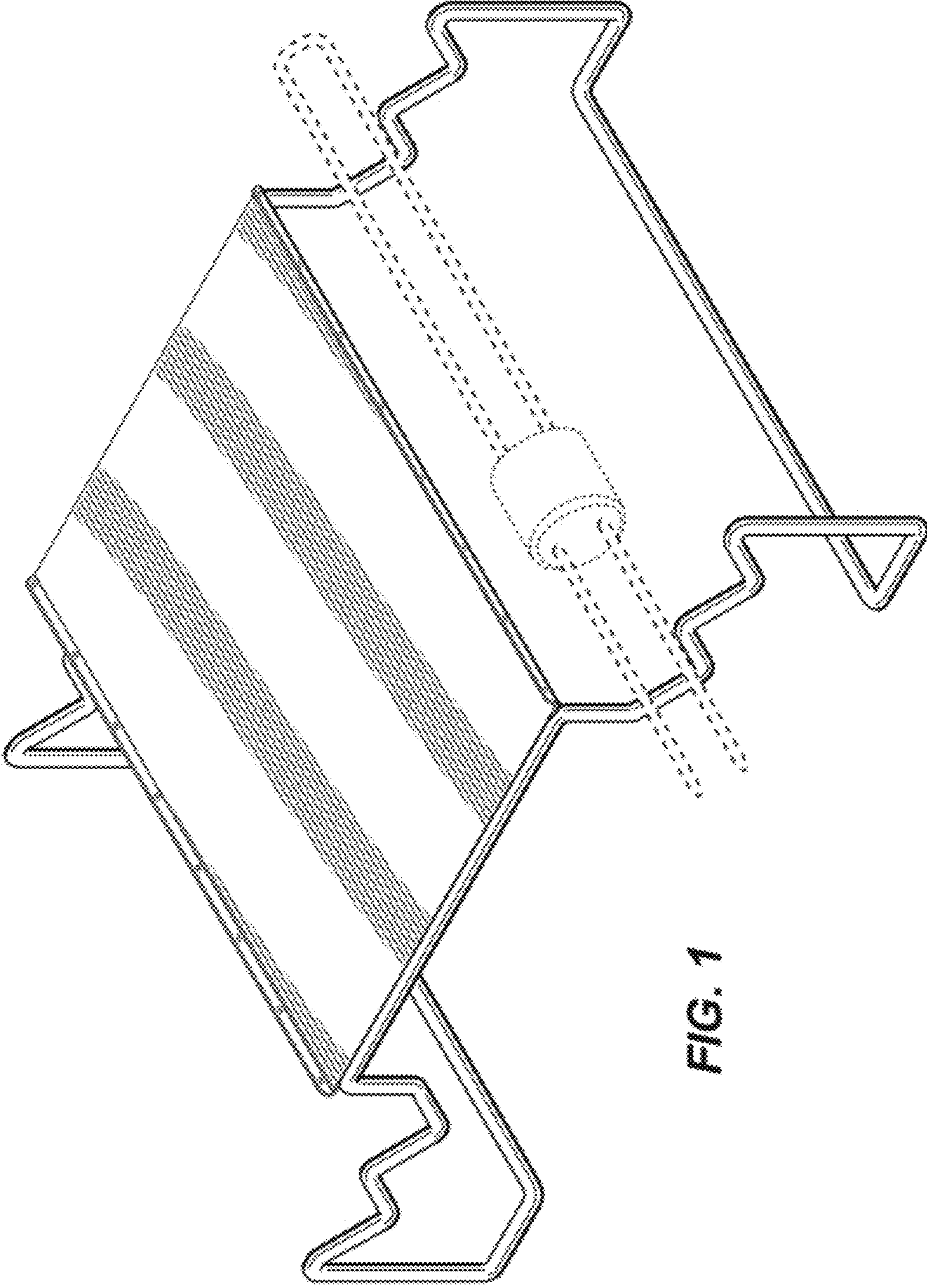


FIG. 1



FIG. 2

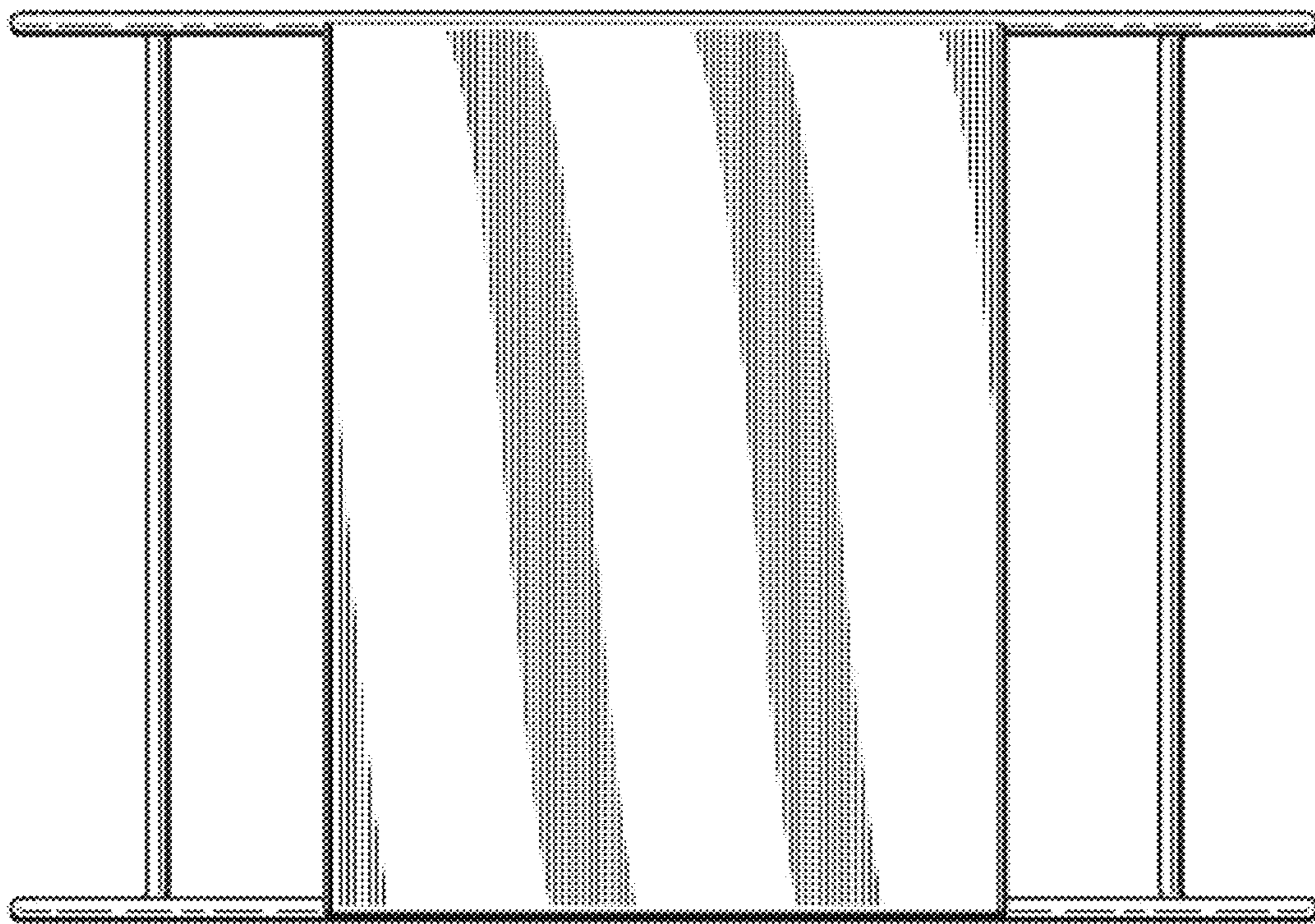


FIG. 6

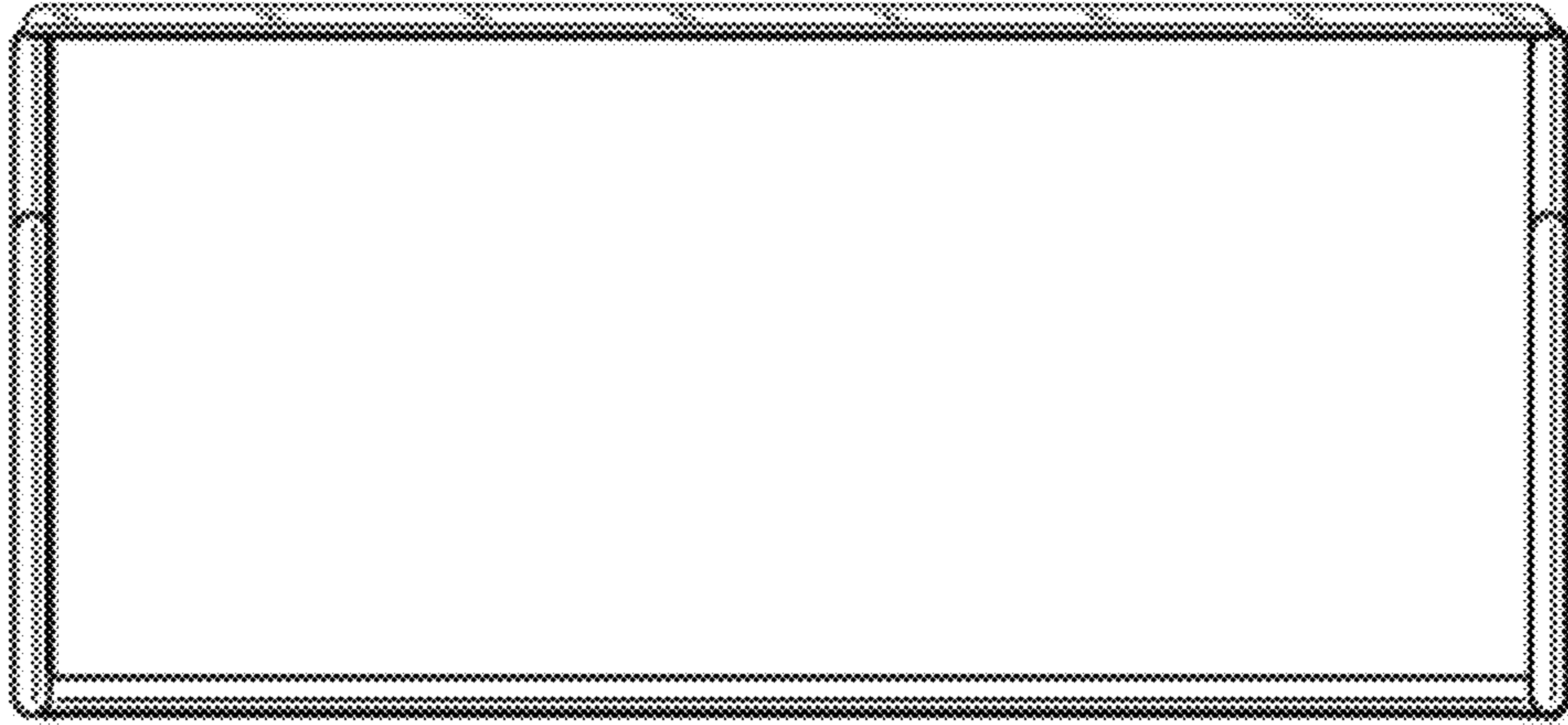


FIG. 3

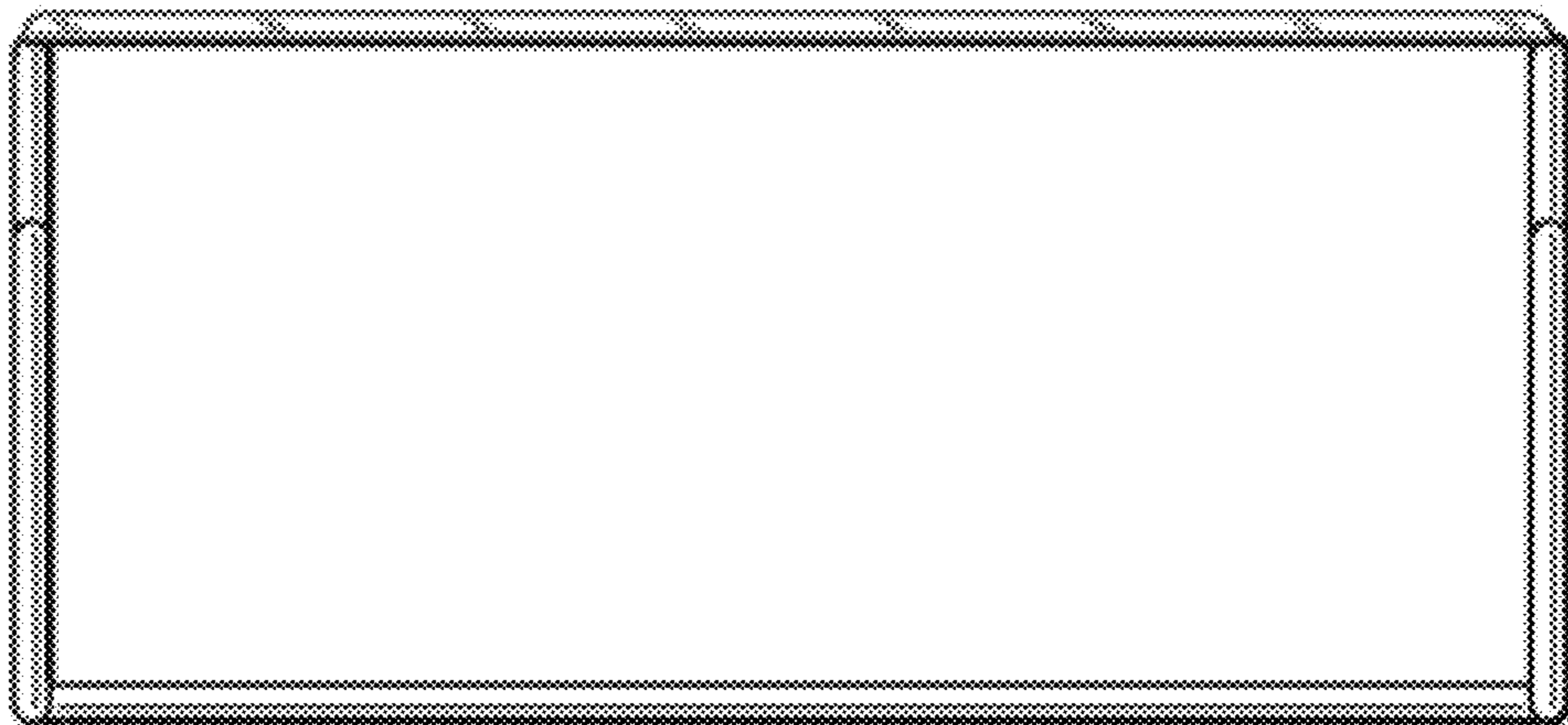


FIG. 5



FIG. 4

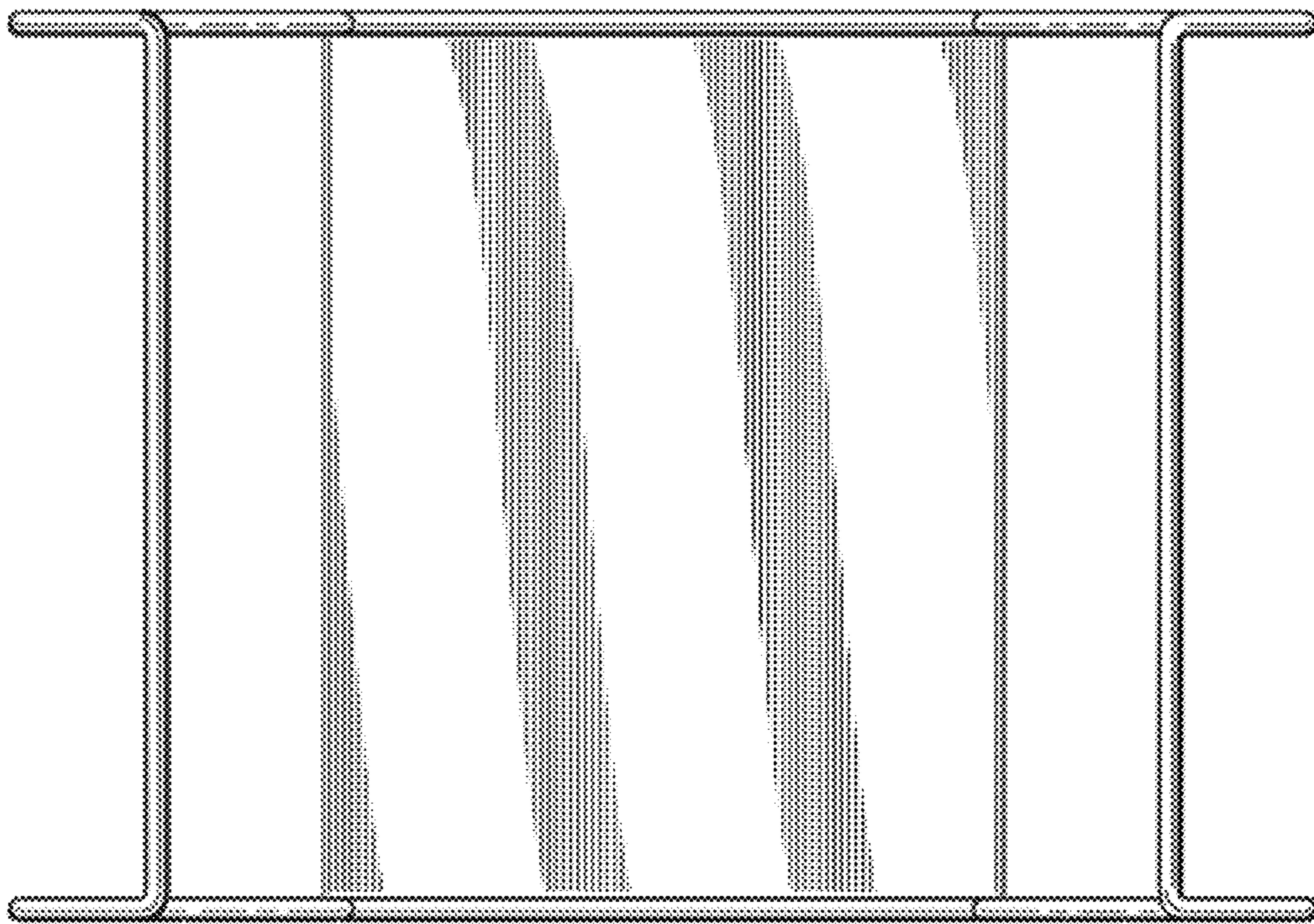


FIG. 7