



US00D658440S

(12) **United States Design Patent**
Funnell, II et al.

(10) **Patent No.:** **US D658,440 S**

(45) **Date of Patent:** **** May 1, 2012**

(54) **GAS COOKTOP AND/OR GRATE THEREOF**

(56) **References Cited**

(75) Inventors: **Richard W. Funnell, II**, Corona de Mar, CA (US); **Graham Sadtler**, Huntington Beach, CA (US)

U.S. PATENT DOCUMENTS

D461,090	S	*	8/2002	Rummel et al.	D7/346
D468,161	S	*	1/2003	Goodwin	D7/408
D489,933	S	*	5/2004	Nichols et al.	D7/346
D495,202	S	*	8/2004	Becker et al.	D7/408
D502,632	S	*	3/2005	Becker et al.	D7/408
D524,601	S	*	7/2006	Vetter	D7/408

(73) Assignee: **BSH Home Appliances Corporation**, Irvine, CA (US)

* cited by examiner

(**) Term: **14 Years**

Primary Examiner — Catheri Oliver

(21) Appl. No.: **29/403,350**

(74) *Attorney, Agent, or Firm* — James E. Howard; Andre Pallapies

(22) Filed: **Oct. 5, 2011**

Related U.S. Application Data

(57) **CLAIM**

The ornamental design for a gas cooktop and/or grate thereof, as shown and described.

(62) Division of application No. 29/393,093, filed on May 31, 2011, now Pat. No. Des. 651,464, which is a division of application No. 29/383,731, filed on Jan. 21, 2011, now Pat. No. Des. 643,683, which is a division of application No. 29/369,886, filed on Sep. 15, 2010, now Pat. No. Des. 634,580, which is a division of application No. 29/351,038, filed on Nov. 30, 2009, now Pat. No. Des. 629,638.

DESCRIPTION

FIG. 1 is a front perspective view of a right side grate portion of a grate for a gas cooktop from the top, right corner, according to our new design;
FIG. 2 is a front view thereof;
FIG. 3 is a rear view thereof;
FIG. 4 is a top view thereof;
FIG. 5 is a left side view thereof; and,
FIG. 6 is a right side view thereof.
The bottom view of each design is not shown and is not claimed.

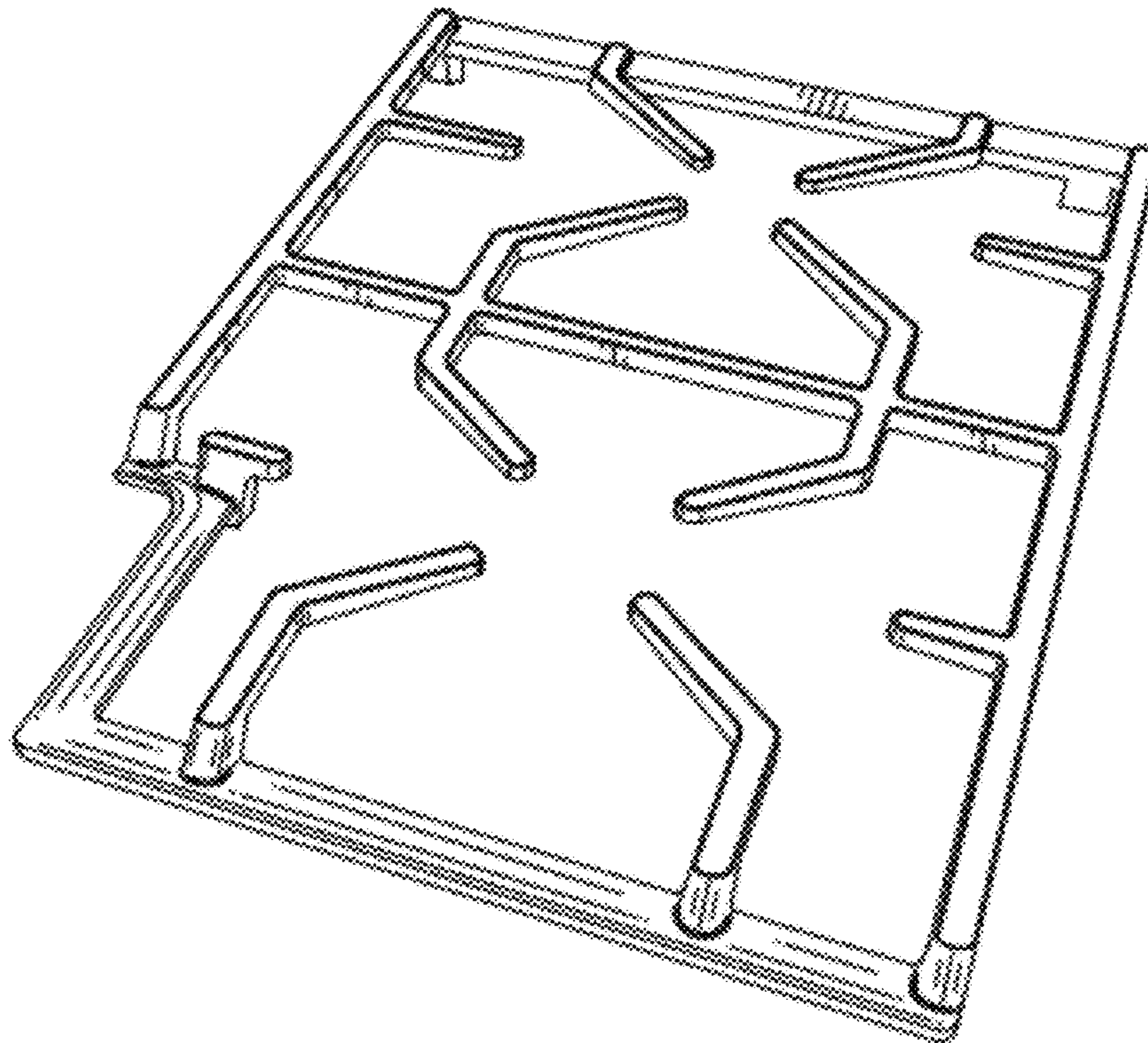
(51) **LOC (9) Cl.** **07-02**

(52) **U.S. Cl.** **D7/408**

(58) **Field of Classification Search** D7/346-348, D7/336-339, 402-408; 126/39 R, 39 BA, 126/40, 211, 214 R, 214 C

See application file for complete search history.

1 Claim, 3 Drawing Sheets



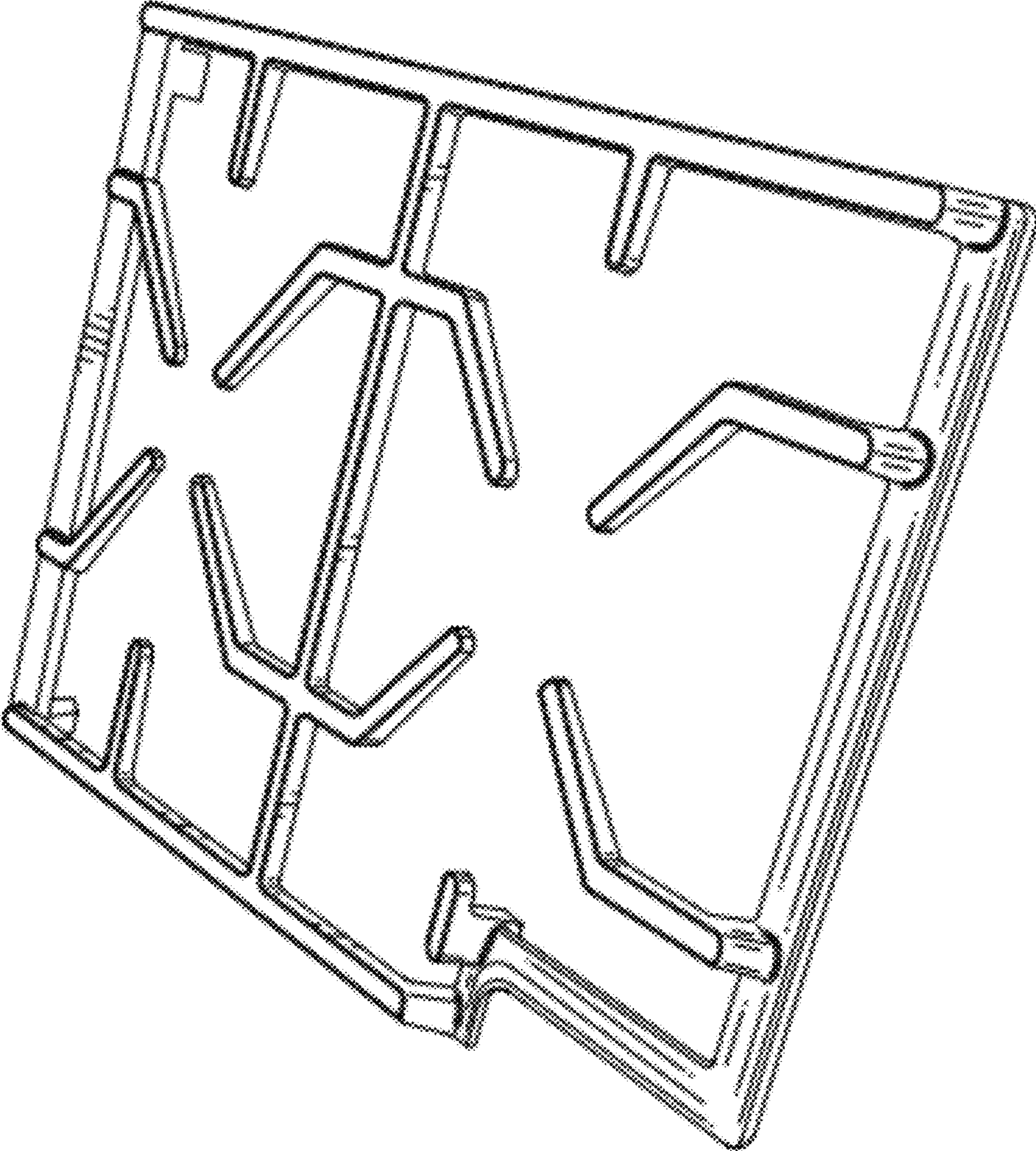


Fig. 1

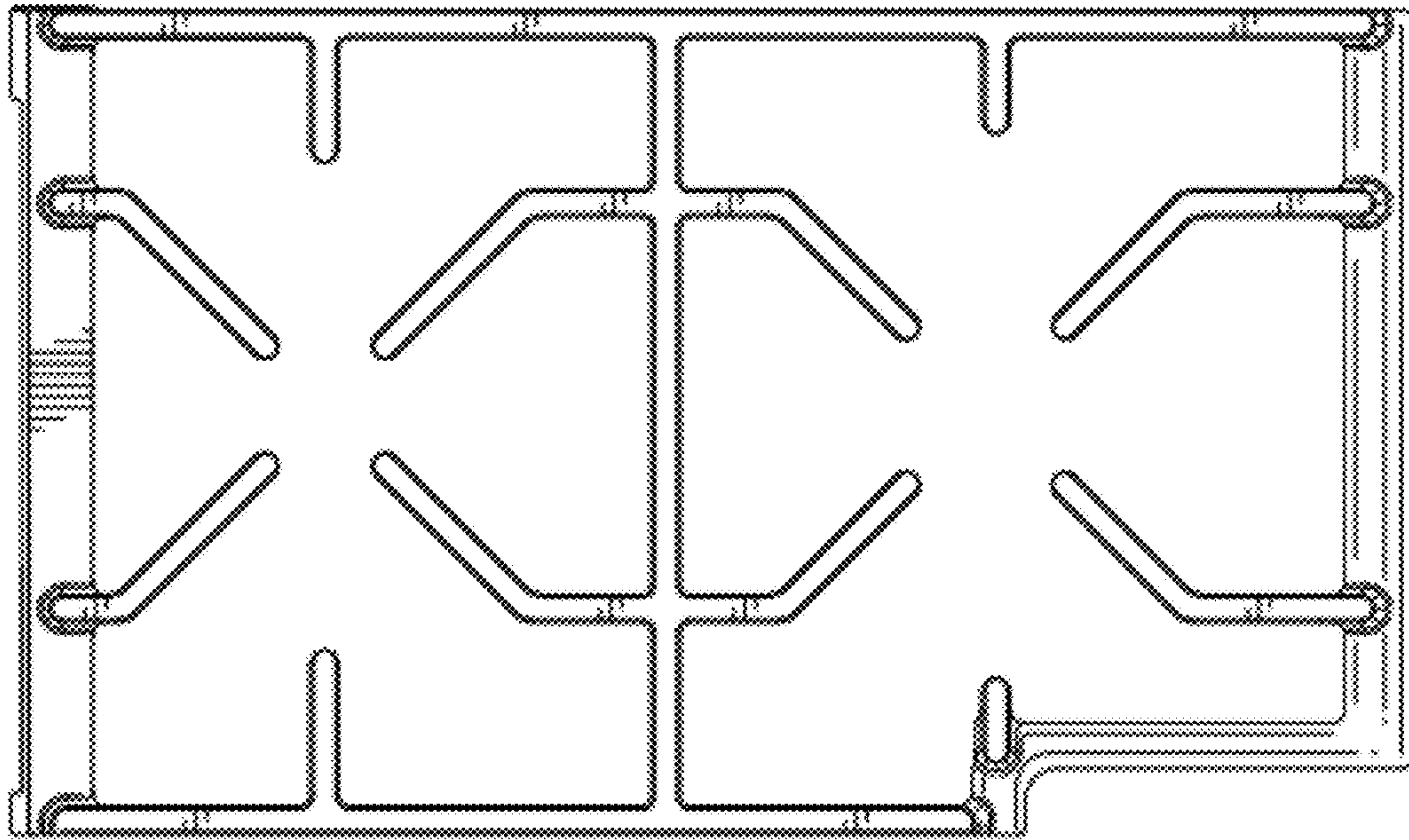


Fig. 4

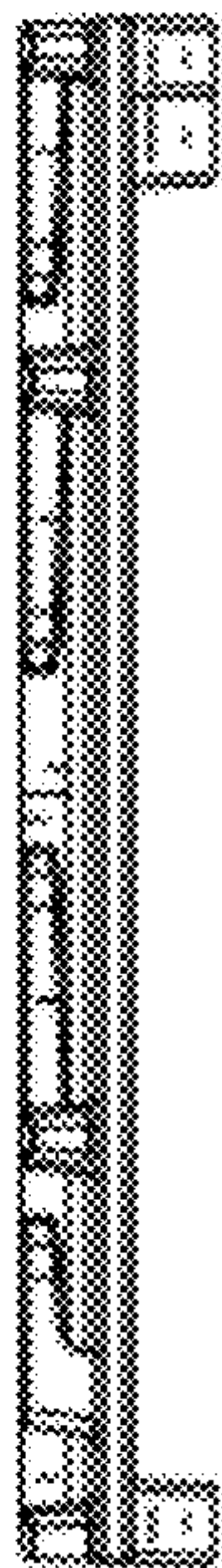


Fig. 2

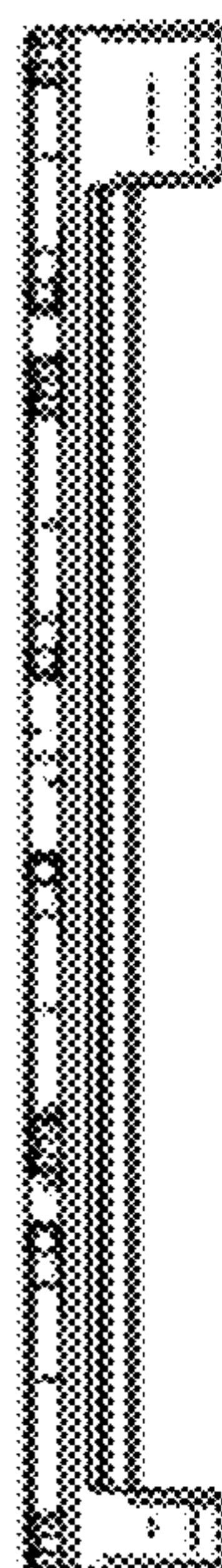


Fig. 3

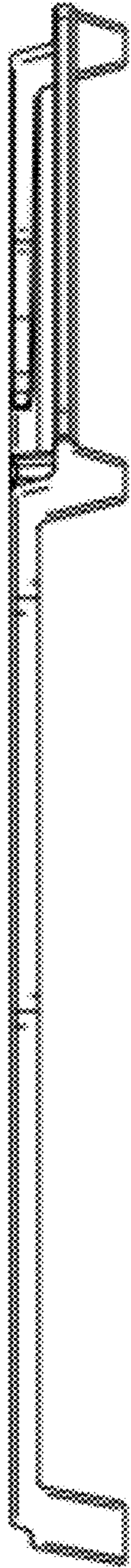


Fig. 5

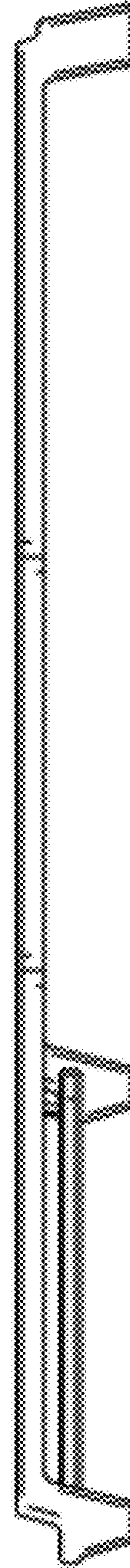


Fig. 6