



US00D658439S

(12) **United States Design Patent**
Curtis et al.

(10) **Patent No.:** **US D658,439 S**

(45) **Date of Patent:** **** May 1, 2012**

(54) **OVEN**

(75) Inventors: **Brent Aaron Curtis**, Anderson, SC (US); **Daniel Hartly Green**, Nashville, TN (US); **Charles David Baker**, Anderson, SC (US)

(73) Assignee: **Electrolux Home Products, Inc.**, Charlotte, NC (US)

(**) Term: **14 Years**

(21) Appl. No.: **29/386,867**

(22) Filed: **Mar. 4, 2011**

(51) **LOC (9) Cl.** **07-02**

(52) **U.S. Cl.** **D7/405**

(58) **Field of Classification Search** D7/350.1, D7/350.3, 350.4, 351, 402, 403, 405, 406; 219/756, 757, 758, 391; 126/19 M, 21 A, 126/275 E; 99/352

See application file for complete search history.

(56) **References Cited**

U.S. PATENT DOCUMENTS

D267,851 S	2/1983	Boldt et al.	
D481,582 S *	11/2003	Seum et al.	D7/350.1
D489,934 S	5/2004	Sagawa et al.	
D495,556 S *	9/2004	Milrud et al.	D7/405
D521,799 S *	5/2006	Ledingham et al.	D7/350.1
D531,447 S	11/2006	Lee et al.	
D539,073 S	3/2007	Kanza	
D540,613 S *	4/2007	Jeon	D7/350.1
D550,024 S	9/2007	Jeon	
D567,013 S	4/2008	Choya	
D568,675 S	5/2008	Kawata	
D586,180 S *	2/2009	Pino et al.	D7/405
D586,619 S	2/2009	Pino et al.	
D587,959 S *	3/2009	Hensel	D7/350.1
D602,306 S *	10/2009	Lavy	D7/350.1
D607,264 S	1/2010	Lee	
D625,557 S *	10/2010	Pino et al.	D7/405
D638,249 S *	5/2011	Ryan et al.	D7/350.1
2009/0107343 A1 *	4/2009	De' Longhi	99/352
2011/0023861 A1	2/2011	Hensel	

FOREIGN PATENT DOCUMENTS

CA	128066	8/2009
CN	3576807	11/2006
CN	300765574	4/2008
CN	300765576	4/2008
CN	300789761	6/2008
CN	300833680	10/2008
CN	300946130	6/2009
CN	301018786	9/2009
CN	301037773	10/2009
CN	301060123	11/2009
CN	301355632	9/2010
CN	301355633	9/2010
CN	301355634	9/2010
CN	301355635	9/2010

(Continued)

OTHER PUBLICATIONS

<http://www.brevilleusa.com/cooking/the-compact-smart-oven.htm>, 1 sheet, dated Jan. 13, 2011.

(Continued)

Primary Examiner — Ruth McInroy

(74) *Attorney, Agent, or Firm* — Banner & Witcoff, Ltd.

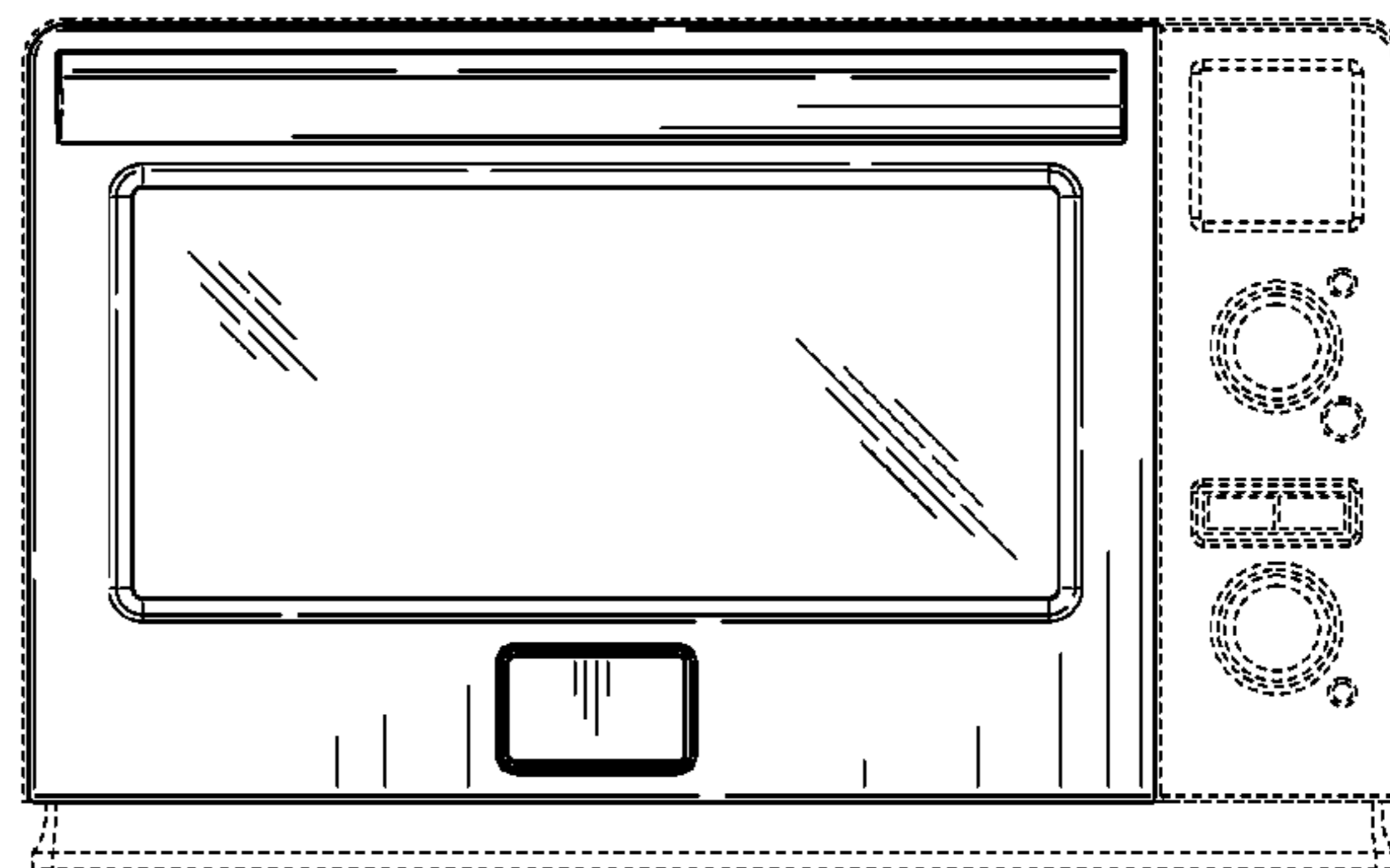
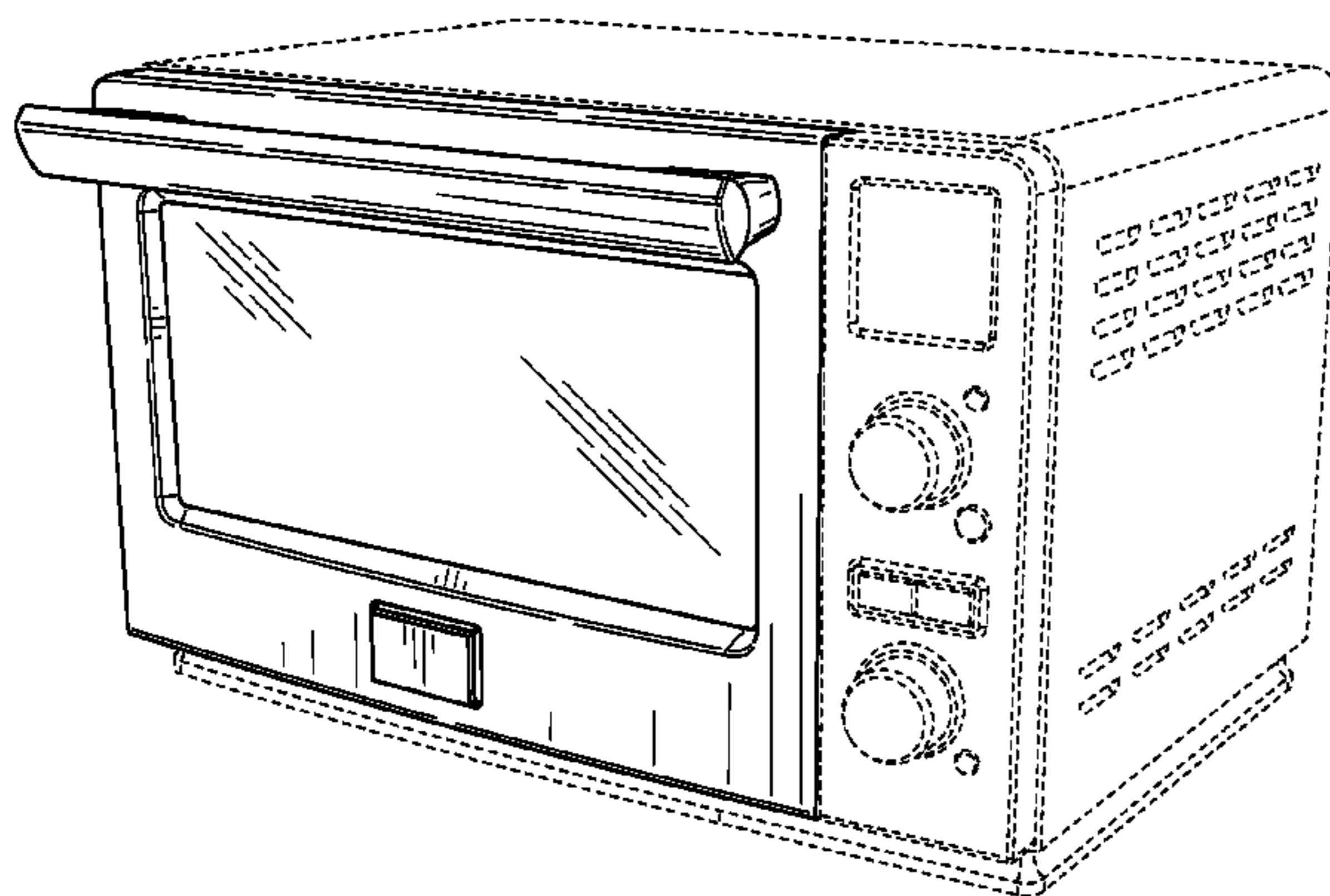
(57) **CLAIM**

The ornamental design for an oven, as shown and described.

DESCRIPTION

FIG. 1 is a perspective view of an oven showing our new design;
FIG. 2 is a front view thereof;
FIG. 3 is a right side view thereof;
FIG. 4 is a left side view thereof;
FIG. 5 is a top plan view thereof; and,
FIG. 6 is a bottom plan view thereof.
The broken line showing of the remainder of the oven is for environmental purposes only and forms no part of the claimed design.

1 Claim, 6 Drawing Sheets



FOREIGN PATENT DOCUMENTS

CN	301390858	11/2010
CN	301450023	1/2011
CN	3014560009	2/2011

OTHER PUBLICATIONS

<http://www.brevilleusa.com/cooking/the-compact-smart-oven-tm.html>, 1 sheet, dated Jan. 13, 2011.

http://www.cuisinart.com/products/toaster_ovens/tob-60.html, 1 sheet, dated Jan. 13, 2011.

http://ecx.images-amazon.com/images/I/41T6JyMfWdL._SS500_.jpg, 1 sheet, dated Jan. 13, 2011.

<http://www.amazon.com/George-Foreman-TO2021B-Countertop-Rotisserie/dp/B003YC1...>, 5 sheets, dated Jan. 13, 2011.

<http://www.amazon.com/KitchenAid-KC0223CU-Convection-Countertop-Oven/dp/B003...>, 2 sheets, dated Jan. 13, 2011.

<http://www.oster.com/ProductDetails.aspx?pid=3113>, Vega Toaster Oven—TSSTTVVG01, 1 sheet, dated Jan. 13, 2011.

<http://www.hotplates.com/Oster-6297-OST1052.html>, 1 sheet, dated Jan. 13, 2011.

<http://common2.csnimages.com/If/8/hash/1/262119/1/6+Slice+Toaster+Oven+in+Stainless...>, 1 sheet, dated Jan. 13, 2011.

No doc labeled.

* cited by examiner

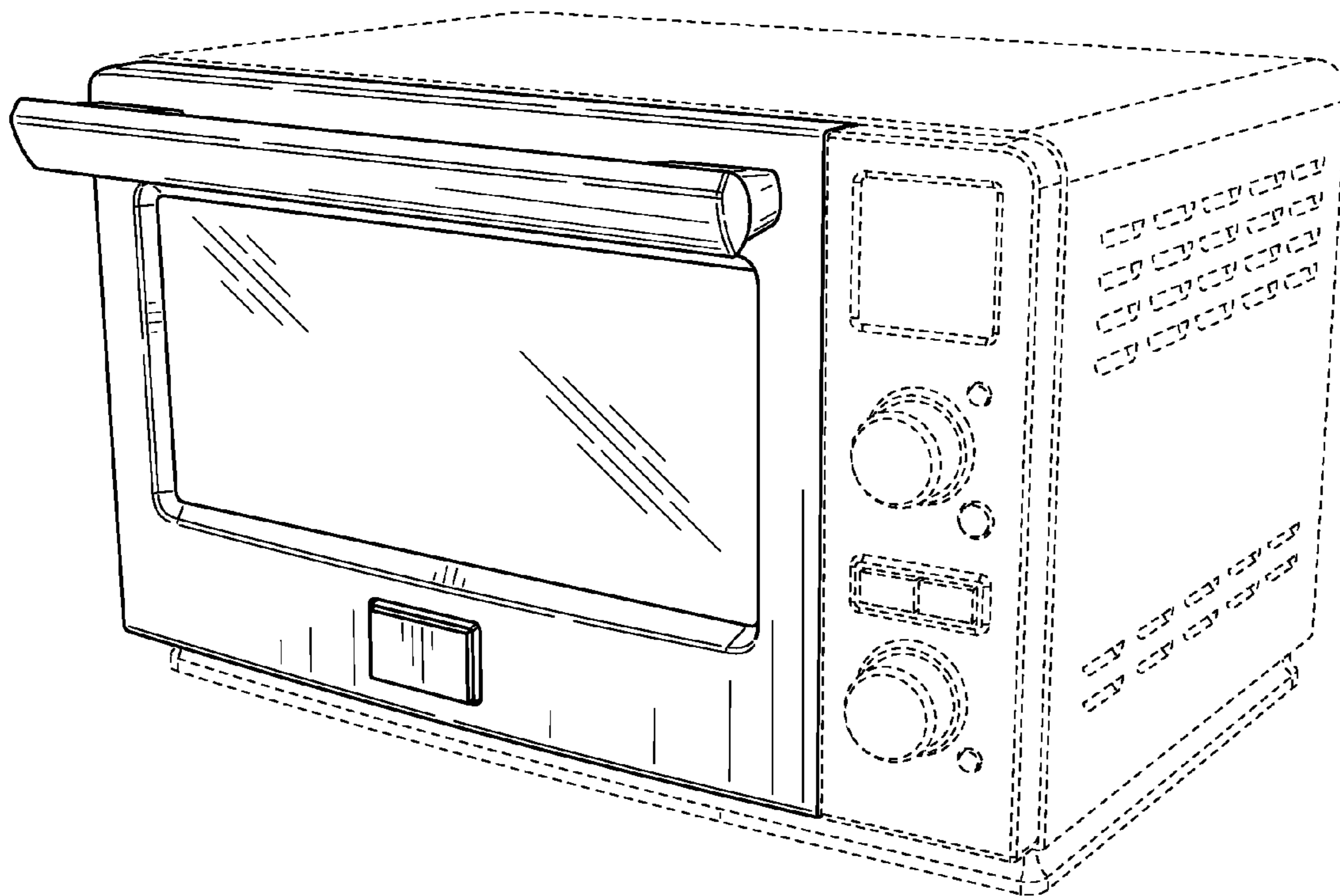


FIG. 1

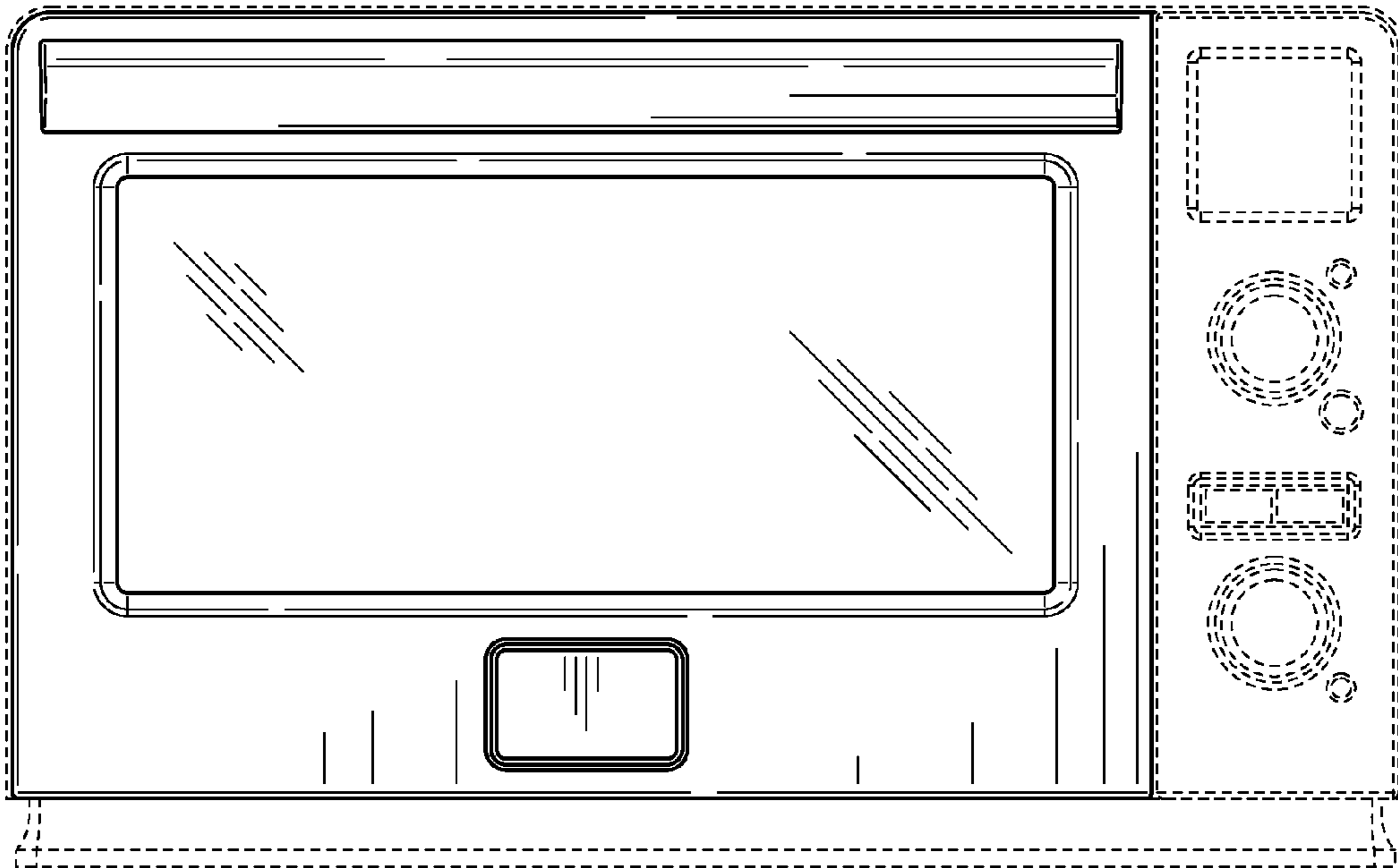


FIG. 2

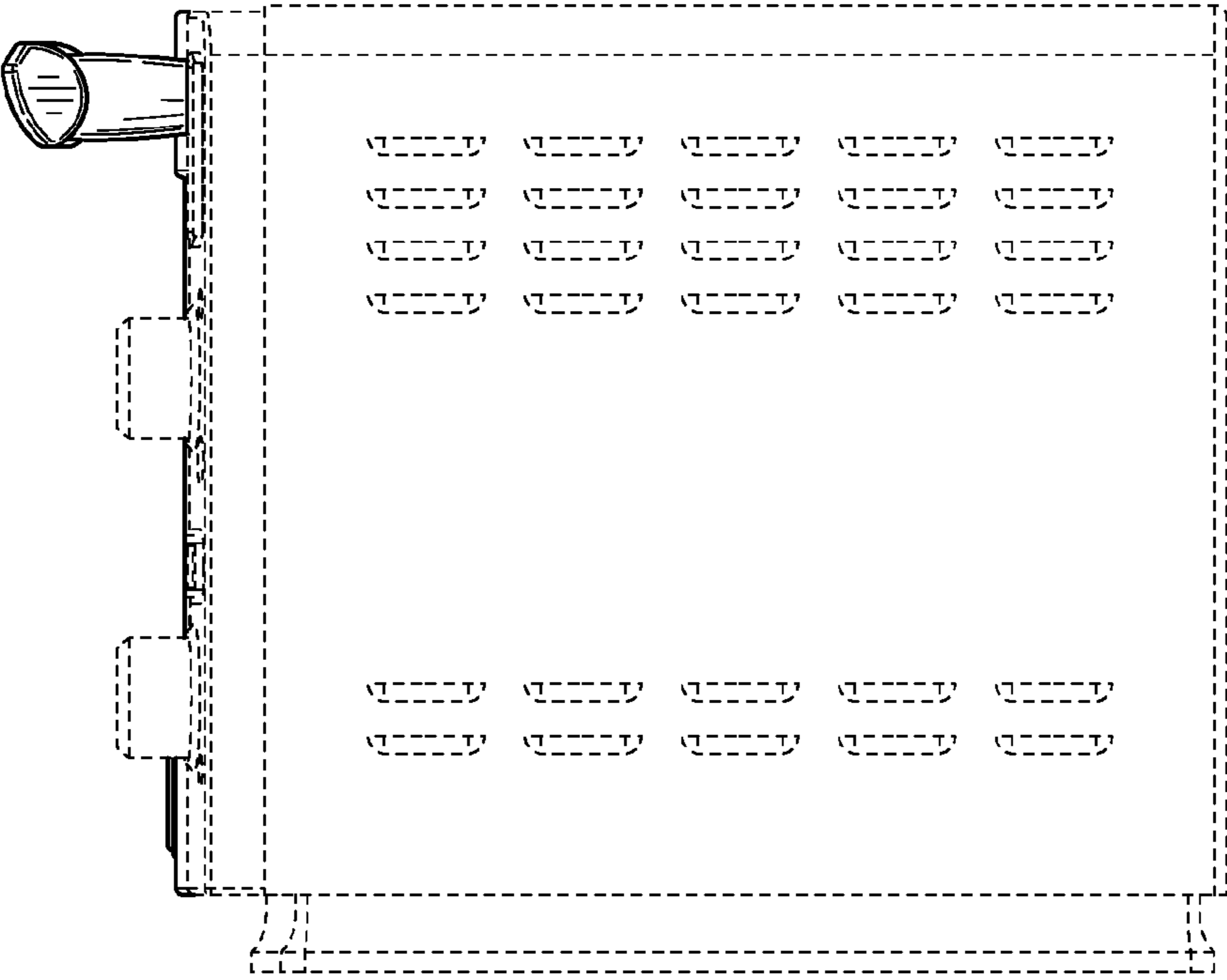


FIG. 3

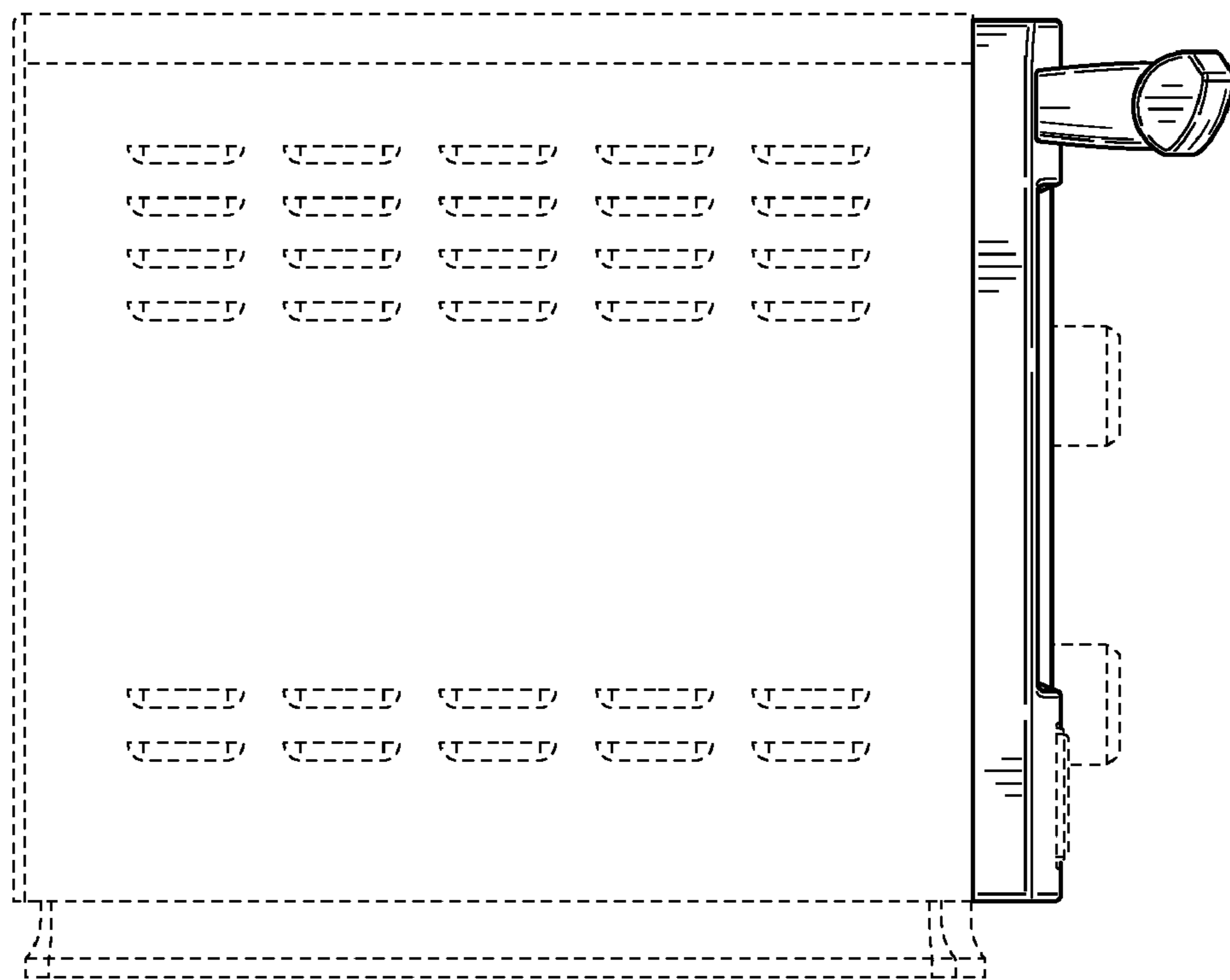


FIG. 4

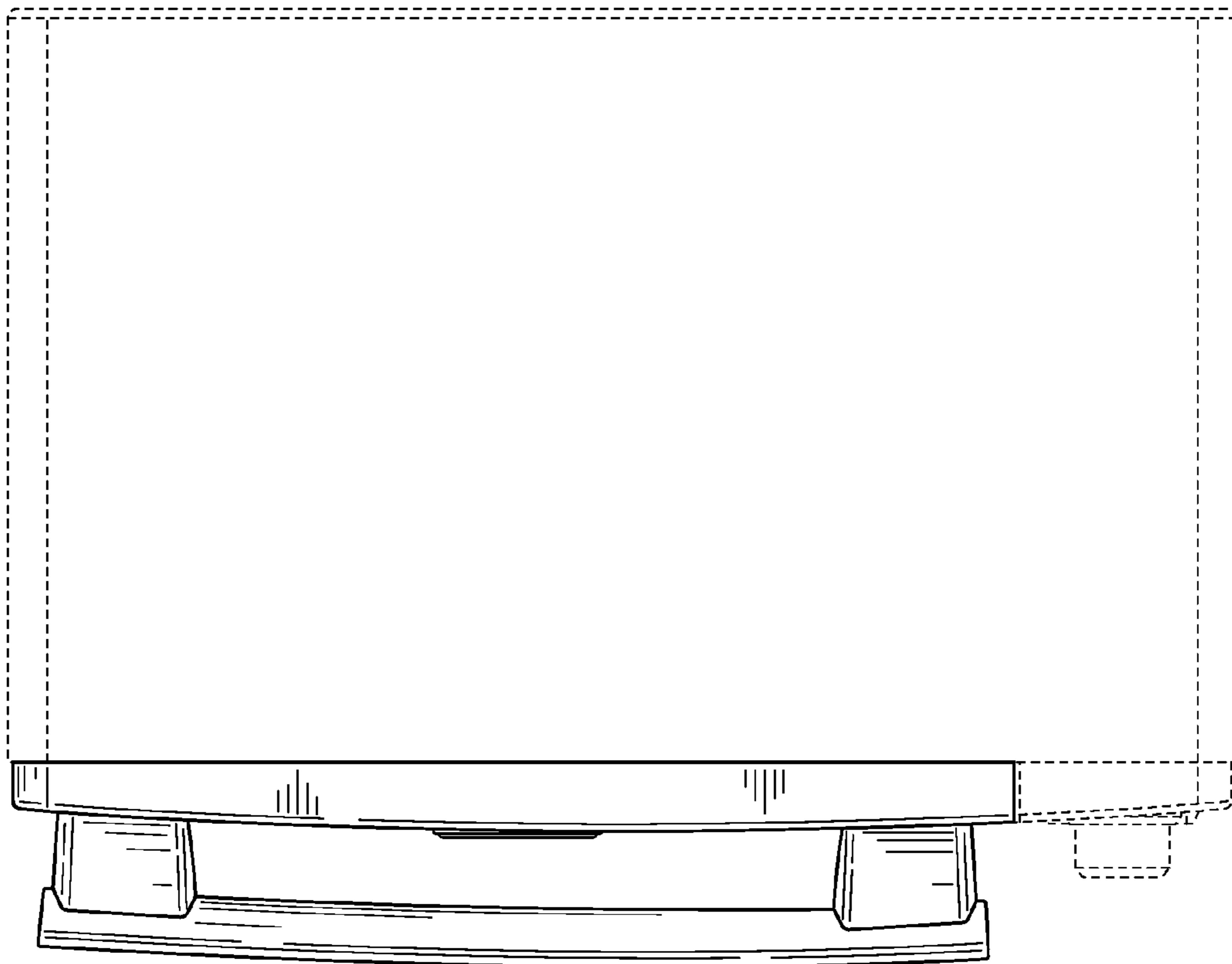


FIG. 5

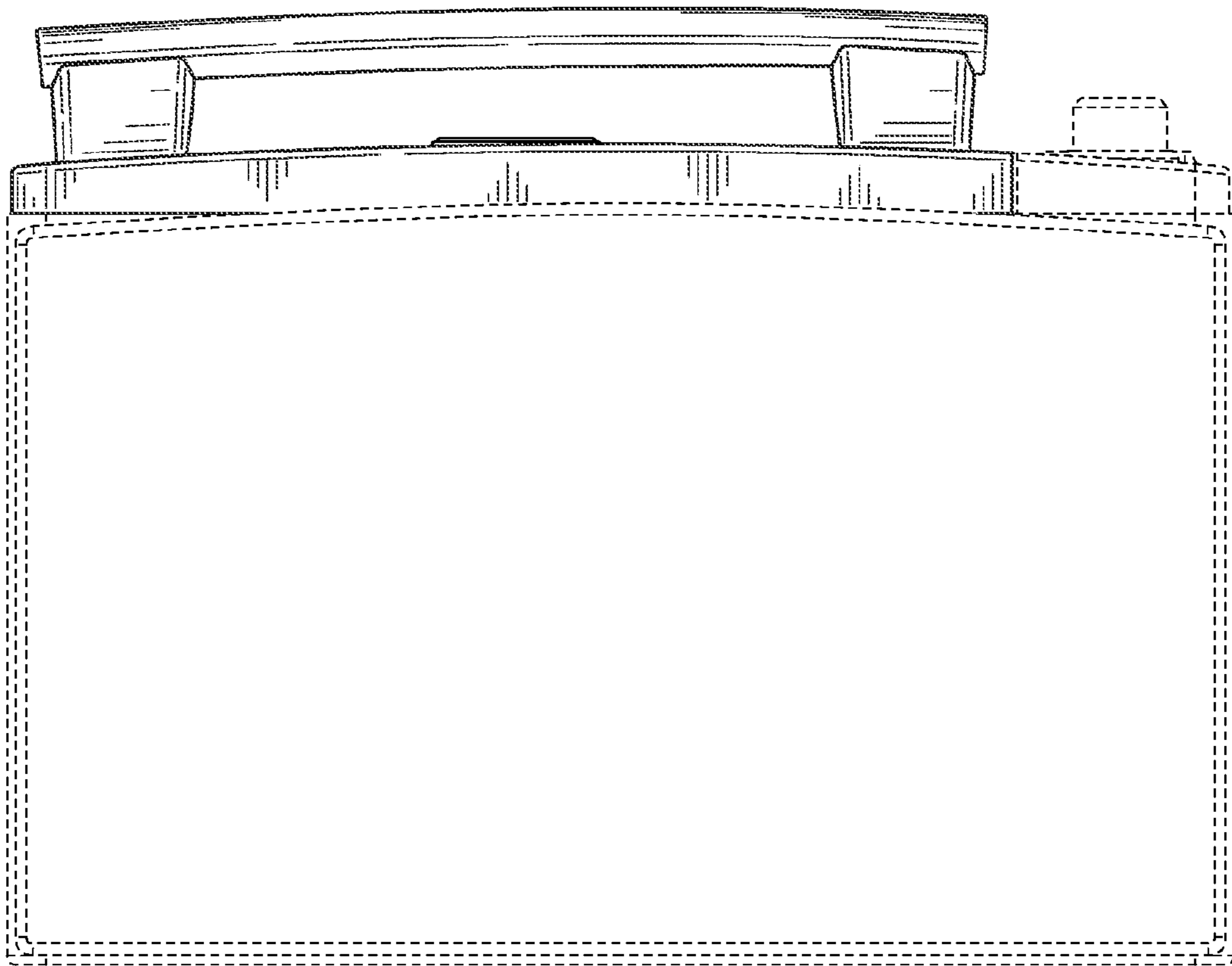


FIG. 6