



US00D658438S

(12) **United States Design Patent**  
**Zandbergen et al.**

(10) **Patent No.:** **US D658,438 S**  
(45) **Date of Patent:** **\*\* May 1, 2012**

(54) **WINDSCREEN**

(76) Inventors: **Russ Zandbergen**, San Jose, CA (US);  
**Rand Lindsly**, Yosemite National Park,  
CA (US); **Lee Zandbergen**, Modesto,  
CA (US)

(\*\*) Term: **14 Years**

(21) Appl. No.: **29/391,614**

(22) Filed: **May 11, 2011**

**Related U.S. Application Data**

(63) Continuation of application No. 11/448,181, filed on  
Jun. 7, 2006, now Pat. No. 7,967,003.

(51) **LOC (9) Cl.** ..... **07-02**

(52) **U.S. Cl.** ..... **D7/402**

(58) **Field of Classification Search** ..... D7/332,  
D7/334-337, 402-405, 338, 417; 126/25 R,  
126/25 A, 25 AA, 25 B, 273 R, 9 R, 38, 40,  
126/50, 9 B, 48, 29-30, 43-44, 26, 372, 314,  
126/307 R, 312, 292; 99/339, 448, 449,  
99/481-482, 516, 340-341; 431/331  
See application file for complete search history.

(56) **References Cited**

**U.S. PATENT DOCUMENTS**

26,595 A	12/1859	Danner	
885,356 A	4/1908	Miller	
915,239 A	3/1909	Stapp	
936,482 A	10/1909	Seeley	
1,194,131 A	8/1916	Brown	
1,221,514 A	4/1917	Crain	
1,298,762 A	4/1919	Milligan	
1,353,265 A	9/1920	Oshige	
1,437,073 A *	11/1922	Popper	126/43
1,437,739 A	12/1922	Vernon	
1,508,334 A	9/1924	Ingalls	
1,592,729 A	7/1926	Feist	
2,011,752 A	8/1935	Christman	

2,014,931 A	9/1935	Genovar
2,080,592 A	5/1937	Zickler
2,154,305 A	4/1939	Goerl
2,174,824 A	10/1939	Frank
2,488,014 A	11/1949	Higman
2,541,265 A	2/1951	McGregor
2,853,211 A	10/1951	Manzler
2,797,298 A	6/1957	Fujitanit
2,842,116 A	7/1958	Hinderer
3,123,062 A	3/1964	Psarris
3,146,773 A	9/1964	Melzer
3,151,621 A	10/1964	Jackson
3,331,365 A	7/1967	Sussan
3,336,847 A	8/1967	Durat
3,391,687 A	7/1968	Hutner
3,658,049 A	4/1972	Gerber
3,960,134 A	6/1976	Scott
3,982,524 A	9/1976	Diggs
4,604,986 A	8/1986	Barnes
4,722,322 A	2/1988	Varney
4,875,462 A	10/1989	Armstrong

(Continued)

**FOREIGN PATENT DOCUMENTS**

WO WO9921465 5/1999

*Primary Examiner* — Ruth McInroy

(74) *Attorney, Agent, or Firm* — Robert L. Shaver; Dykas &  
Shaver, LLP

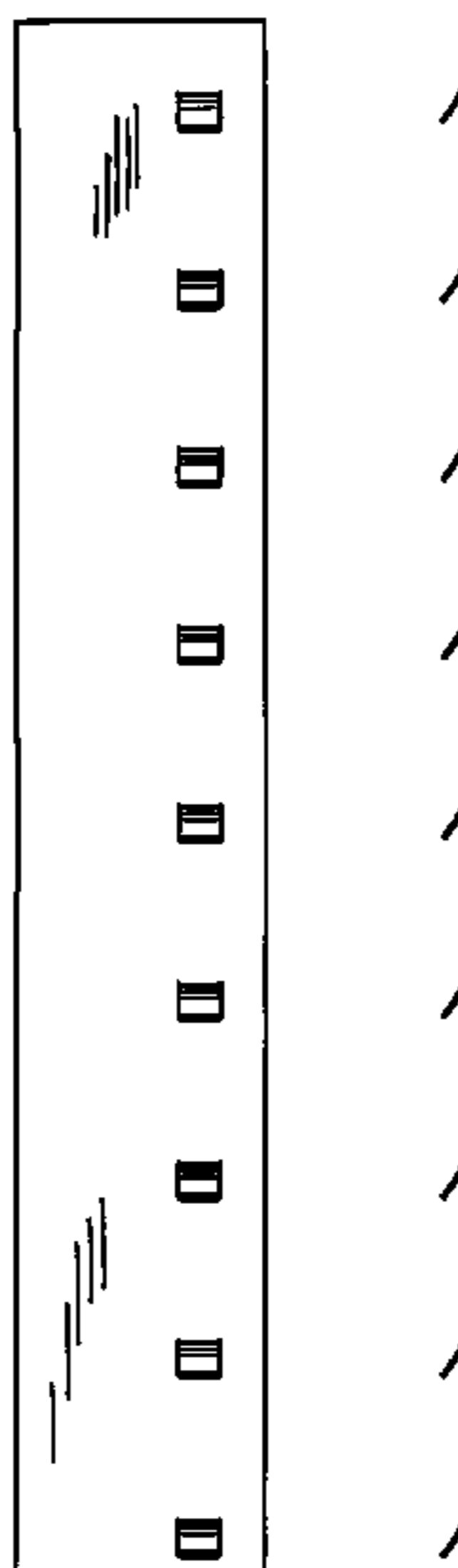
(57) **CLAIM**

The ornamental design for a windscreen, as shown and  
described.

**DESCRIPTION**

FIG. 1 is a front side view of a windscreen showing our new  
design;  
FIG. 2 is a top view thereof;  
FIG. 3 is a back side view thereof;  
FIG. 4 is a perspective view thereof; and,  
FIG. 5 is an end view thereof.

**1 Claim, 1 Drawing Sheet**



# US D658,438 S

Page 2

---

U.S. PATENT DOCUMENTS								
4,905,659	A	3/1990	Armistead	7,246,614	B2	7/2007	Huggins	
4,909,235	A	3/1990	Boetcker	7,600,510	B2	10/2009	Huggins	
5,002,037	A	3/1991	Armstrong	7,694,671	B2	4/2010	Lee	
5,074,279	A	12/1991	Sainsbury	D615,354	S *	5/2010	Garpelin .....	D7/402
5,203,316	A	4/1993	Pritchett	2003/0034023	A1 *	2/2003	Meurer .....	126/29
5,373,863	A	12/1994	Prizio	2003/0230298	A1	12/2003	Klarich	
5,404,864	A	4/1995	Kent, Jr.	2004/0128880	A1	7/2004	Abe	
5,471,783	A	12/1995	McLean	2004/0238089	A1	12/2004	Li	
5,682,872	A	11/1997	Whitted	2004/0250807	A1 *	12/2004	Reiner .....	126/9 R
5,915,371	A	6/1999	Hering	2005/0217657	A1	10/2005	Anue	
5,979,428	A	11/1999	Greene, Jr.	2005/0274372	A1	12/2005	Knight	
6,851,419	B2 *	2/2005	Reiner .....	2007/0039603	A1 *	2/2007	Lindsly et al. ....	126/38
7,107,983	B1	9/2006	West	2007/0199555	A1 *	8/2007	Gregory .....	126/9 R
D546,114	S *	7/2007	Reiner .....	2010/0288261	A1 *	11/2010	Jones .....	126/25 R
			D7/332					

\* cited by examiner

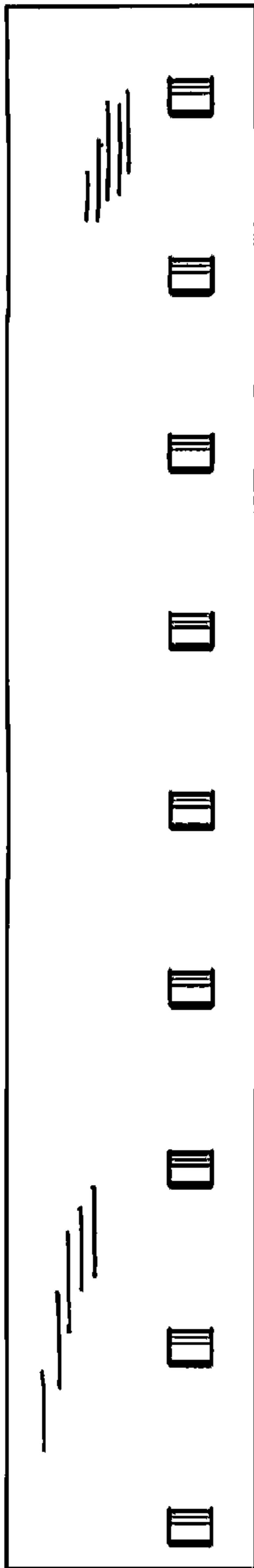


Fig. 1



Fig. 2

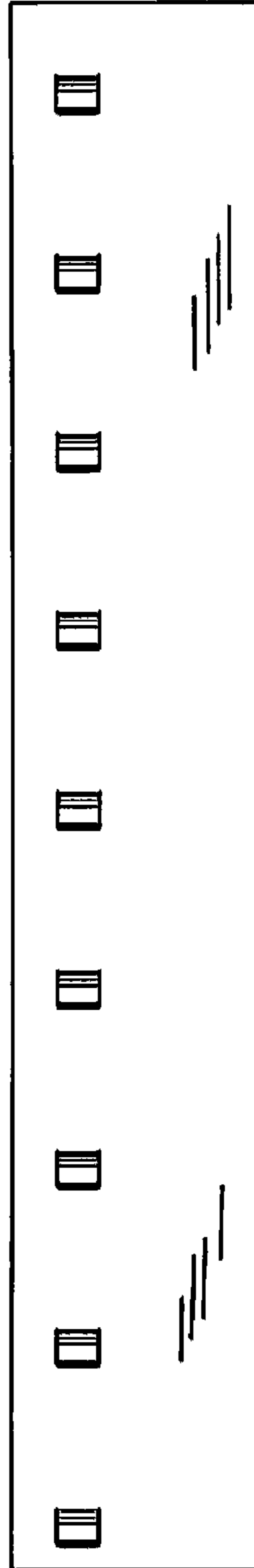


Fig. 3

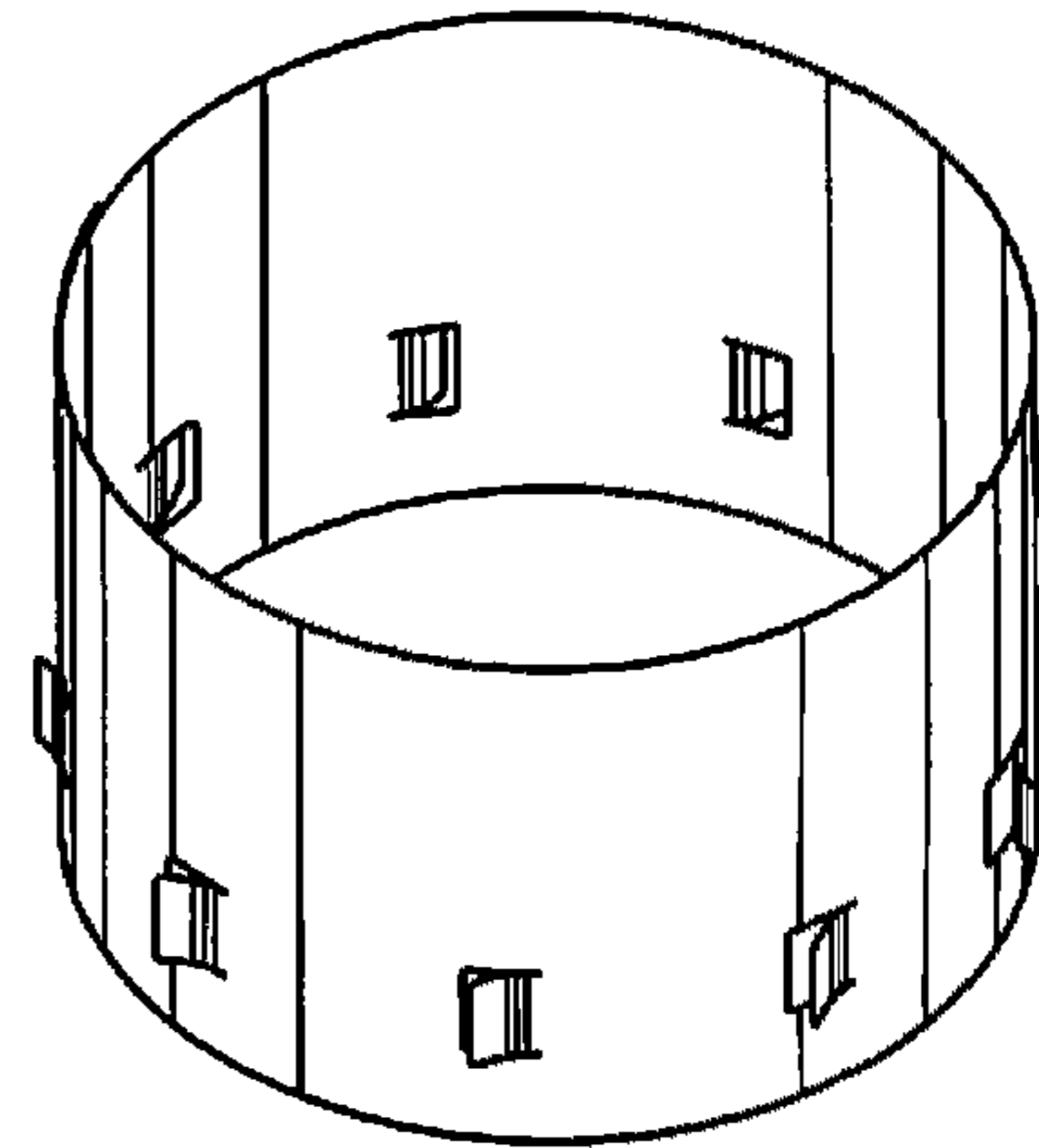


Fig. 4



Fig. 5