



US00D658437S

(12) **United States Design Patent**
Johnson et al.

(10) **Patent No.:** **US D658,437 S**

(45) **Date of Patent:** **** *May 1, 2012**

(54) **T-HANDLE DEVICE**

(76) Inventors: **Steven M. Johnson**, Westford, MA
(US); **Gregory Cook**, Holliston, MA
(US)

(*) Notice: This patent is subject to a terminal disclaimer.

(**) Term: **14 Years**

(21) Appl. No.: **29/393,928**

(22) Filed: **Jun. 10, 2011**

Related U.S. Application Data

(62) Division of application No. 29/369,838, filed on Sep. 14, 2010.

(51) **LOC (9) Cl.** **07-99**

(52) **U.S. Cl.** **D7/398; D7/397**

(58) **Field of Classification Search** D7/397,
D7/398, 300, 306, 313; D8/306, 83, 107,
D8/21; 222/468; 137/14

See application file for complete search history.

(56) **References Cited**

U.S. PATENT DOCUMENTS

3,958,469	A *	5/1976	Meese	81/58.3
4,238,078	A *	12/1980	Yagupov	241/46.02
D394,794	S *	6/1998	Vasudeva	D8/107
D419,826	S *	2/2000	Edwards et al.	D7/398
D440,631	S *	4/2001	Shipway	D23/233
D454,045	S *	3/2002	Rinner et al.	D8/107
6,364,176	B1 *	4/2002	Kilian	222/468

D501,359	S *	2/2005	Bodum	D7/397
6,851,584	B2 *	2/2005	White	222/475
D552,949	S *	10/2007	Strahorn	D8/21
D555,445	S *	11/2007	Strahorn	D8/21
D555,454	S *	11/2007	Noniewicz	D8/72
7,373,860	B1 *	5/2008	Rinner	81/177.1
D586,634	S *	2/2009	Lai	D8/21
D605,024	S *	12/2009	Cotton	D8/302
D631,291	S *	1/2011	Kushner et al.	D7/398
D632,157	S *	2/2011	Le	D8/306
7,887,539	B2 *	2/2011	Dunbar et al.	606/86 A
7,913,594	B2 *	3/2011	Gauthier et al.	81/467
2003/0110906	A1 *	6/2003	Li et al.	81/177.1

* cited by examiner

Primary Examiner — Marianne Pandozzi

(57) **CLAIM**

We claim the ornamental design for a T-handle device, as shown and described.

DESCRIPTION

FIG. 1 is a top perspective view of a T-handle device showing our new design;

FIG. 2 is a bottom view of the T-handle device shown in FIG. 1 showing our new design;

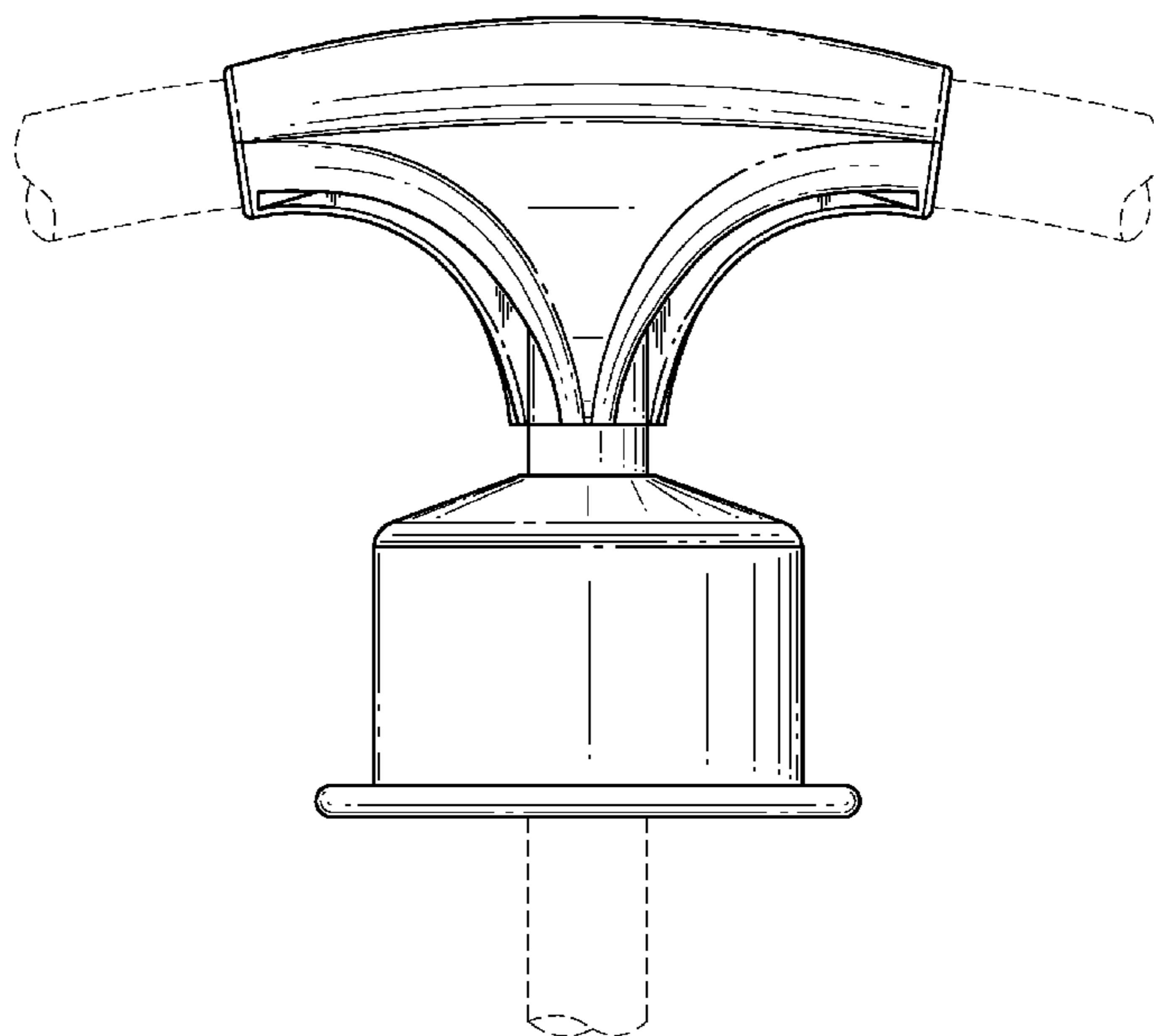
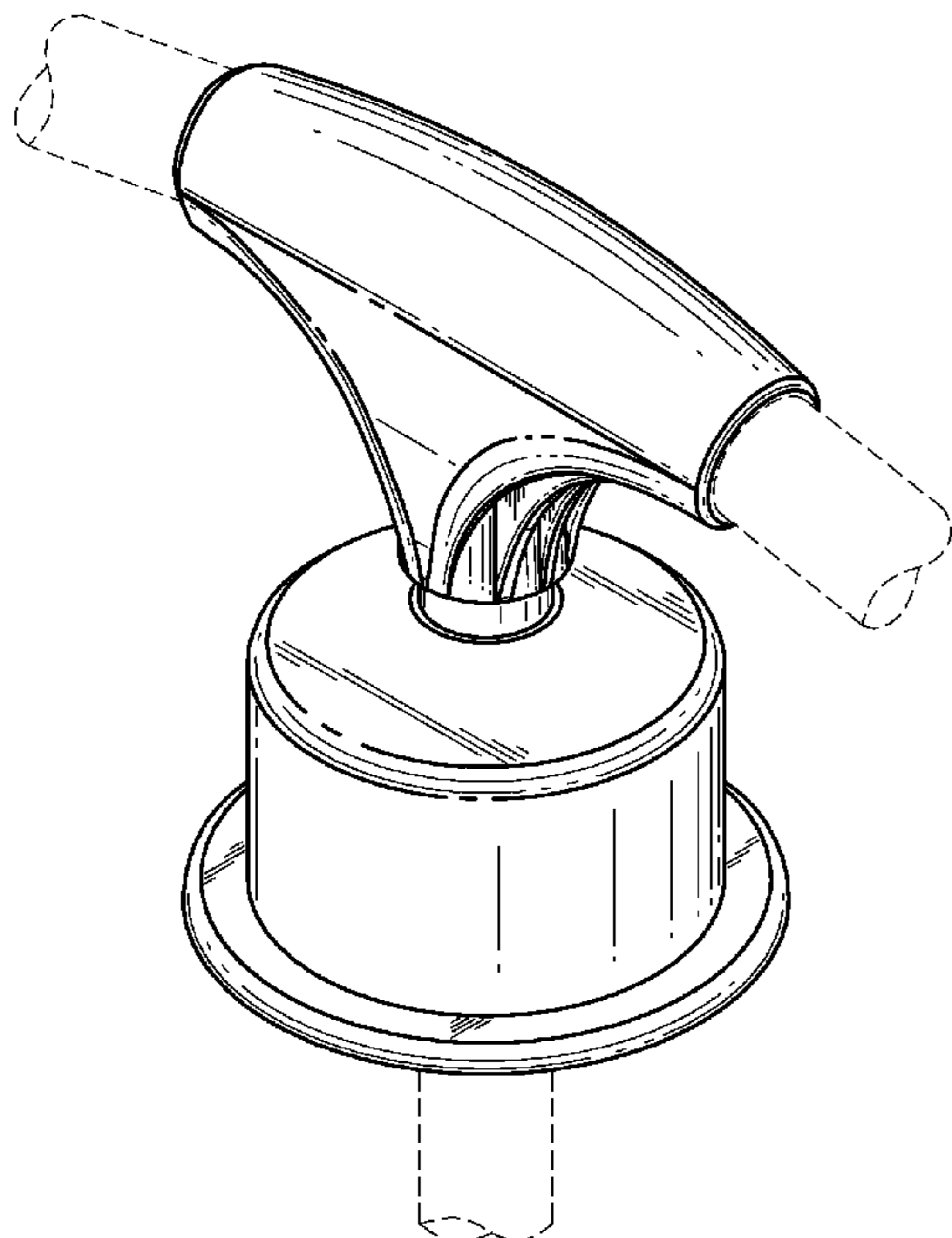
FIG. 3 is a side view of the T-handle device shown in FIG. 1 showing our new design;

FIG. 4 is a top view of the T-handle device shown in FIG. 1 showing our new design;

FIG. 5 is a front view of the T-handle device shown in FIG. 1 showing our new design; and,

FIG. 6 is a back view of the T-handle device shown in FIG. 1 showing our new design.

1 Claim, 3 Drawing Sheets



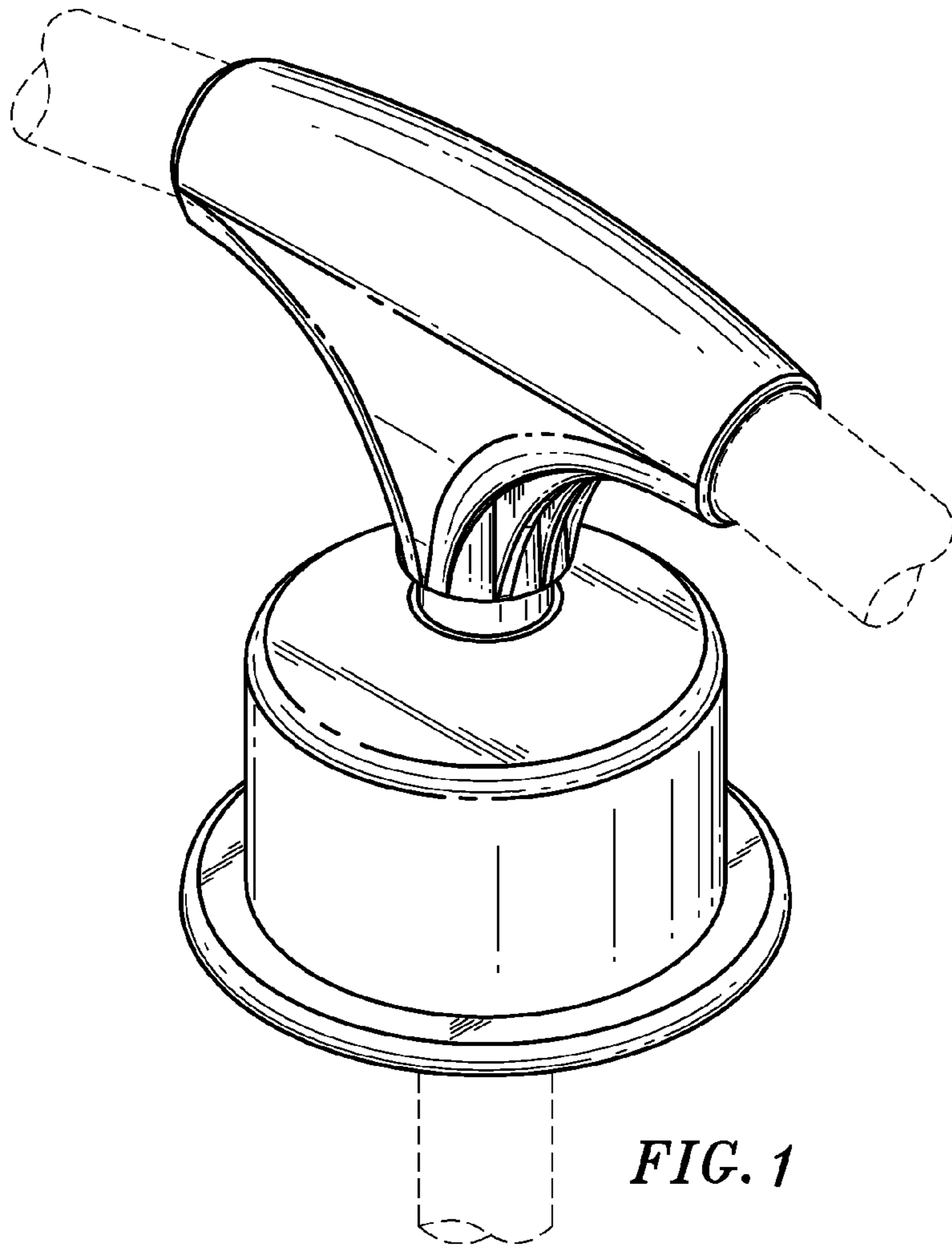


FIG. 1

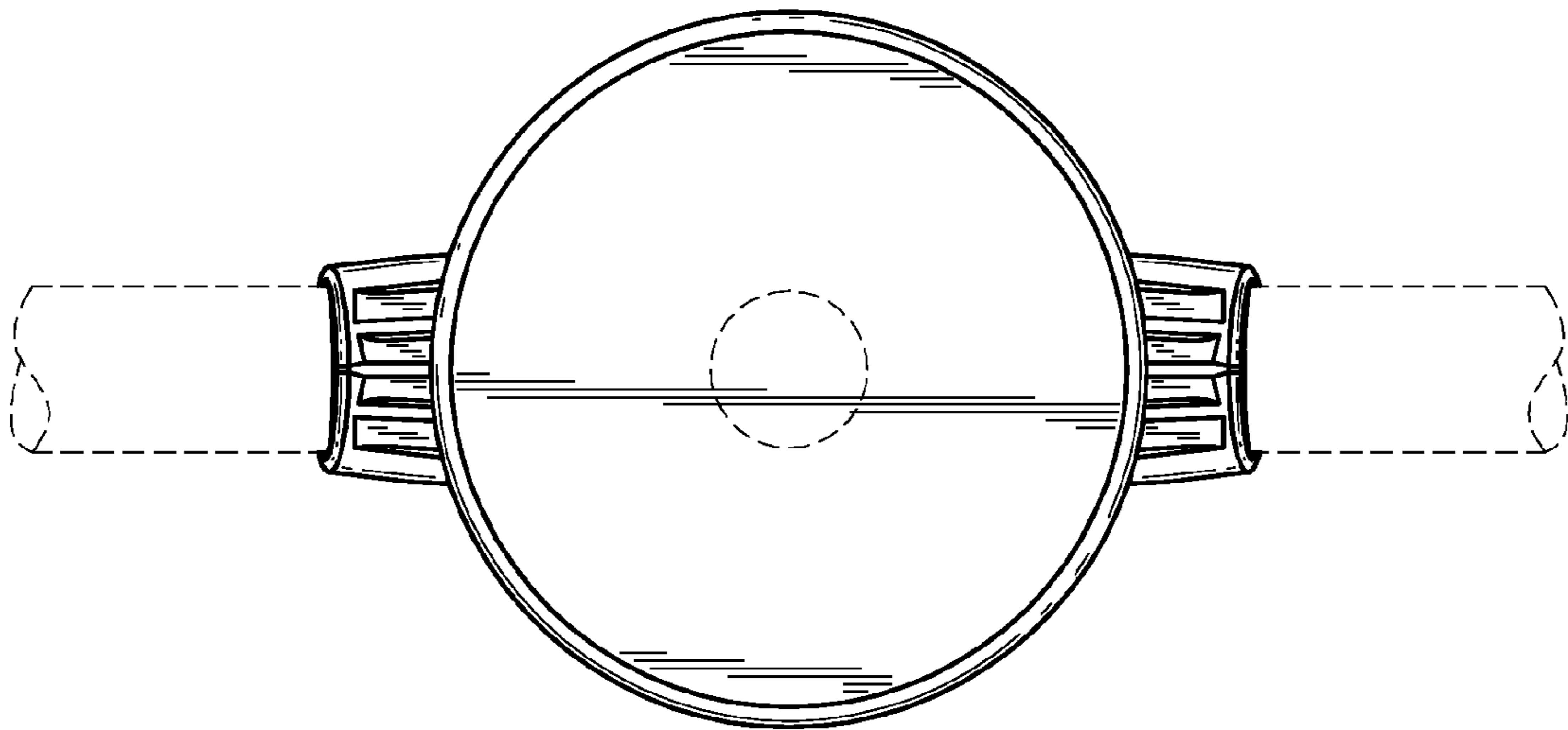


FIG. 2

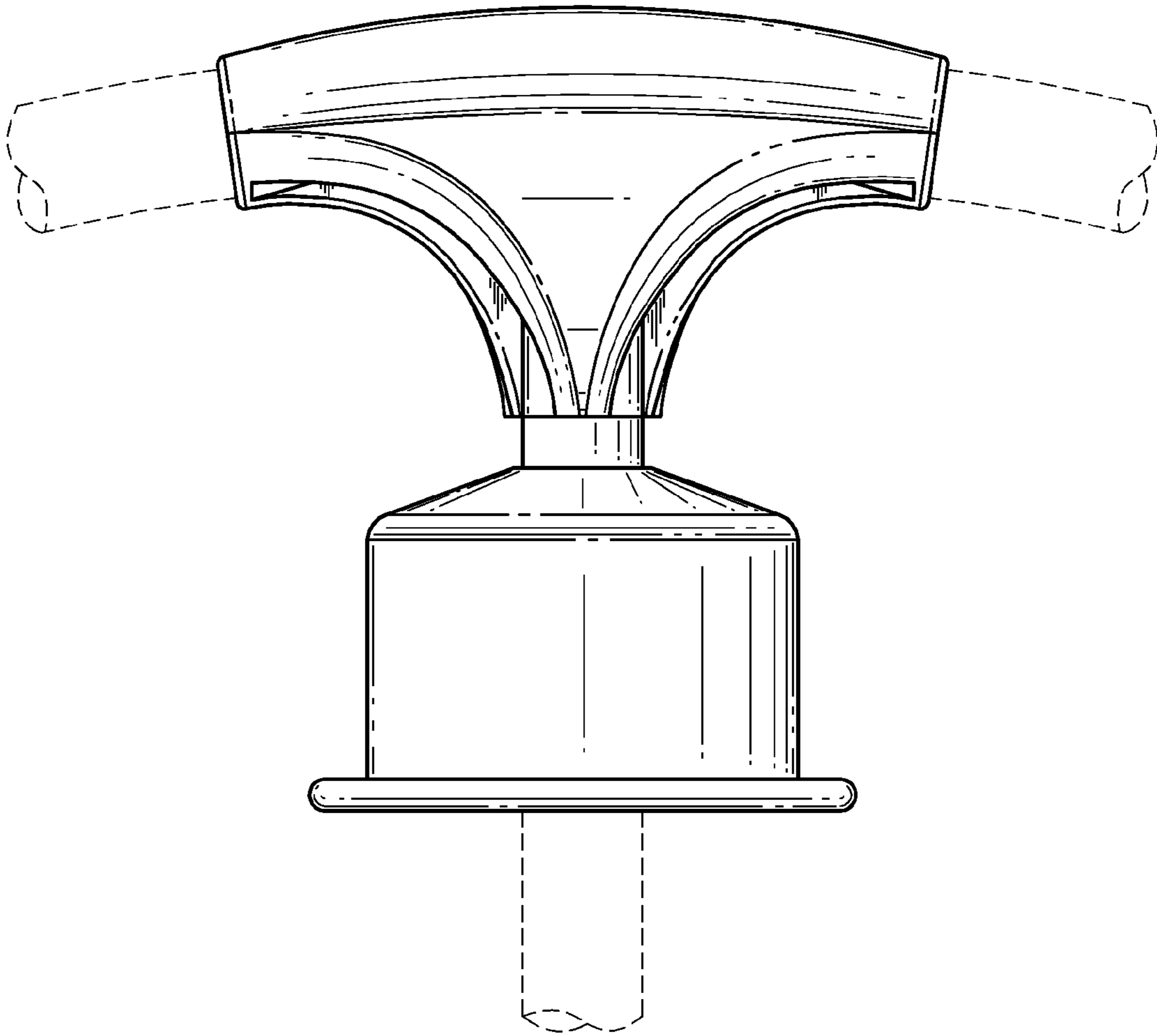


FIG. 3

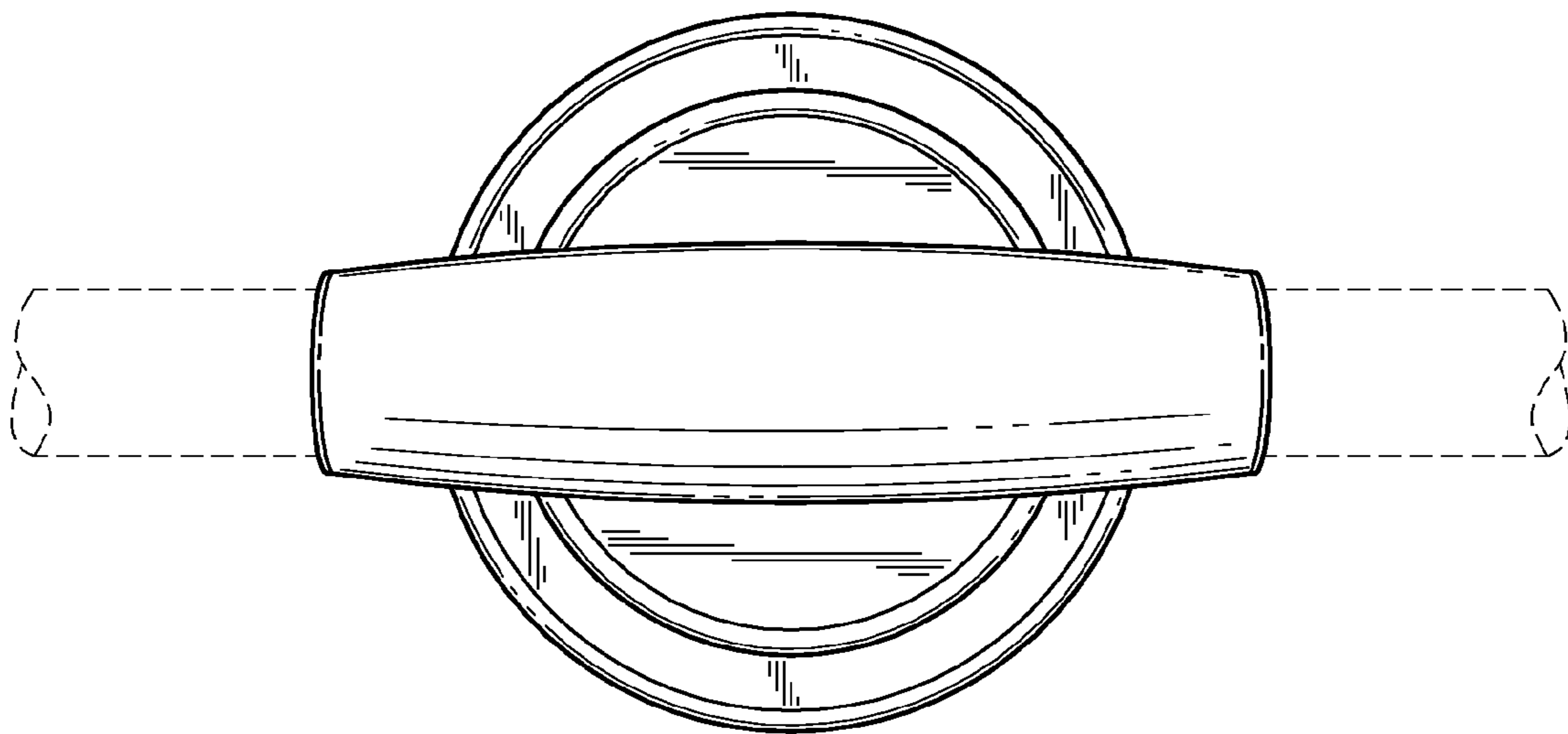


FIG. 4

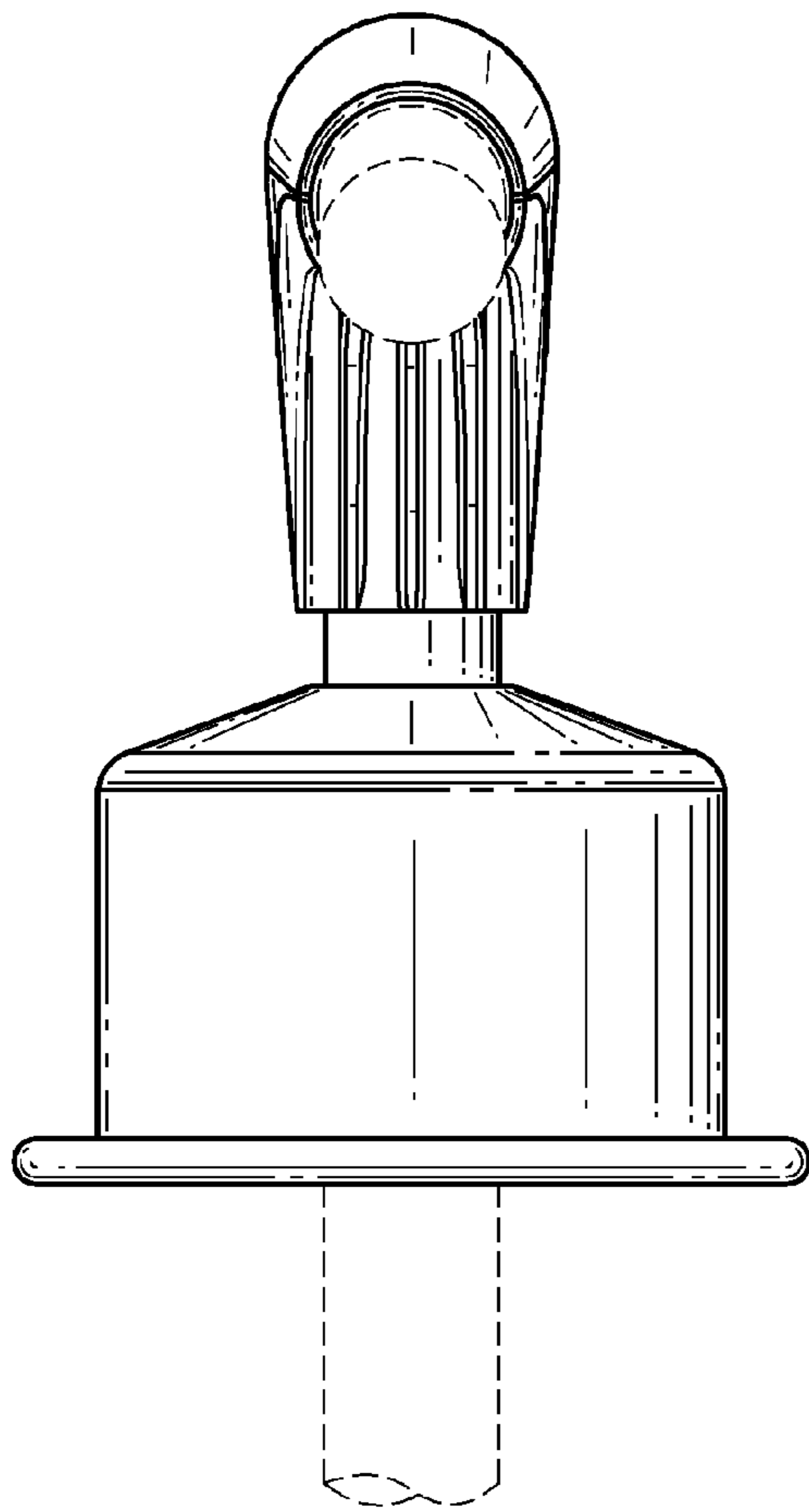


FIG. 5

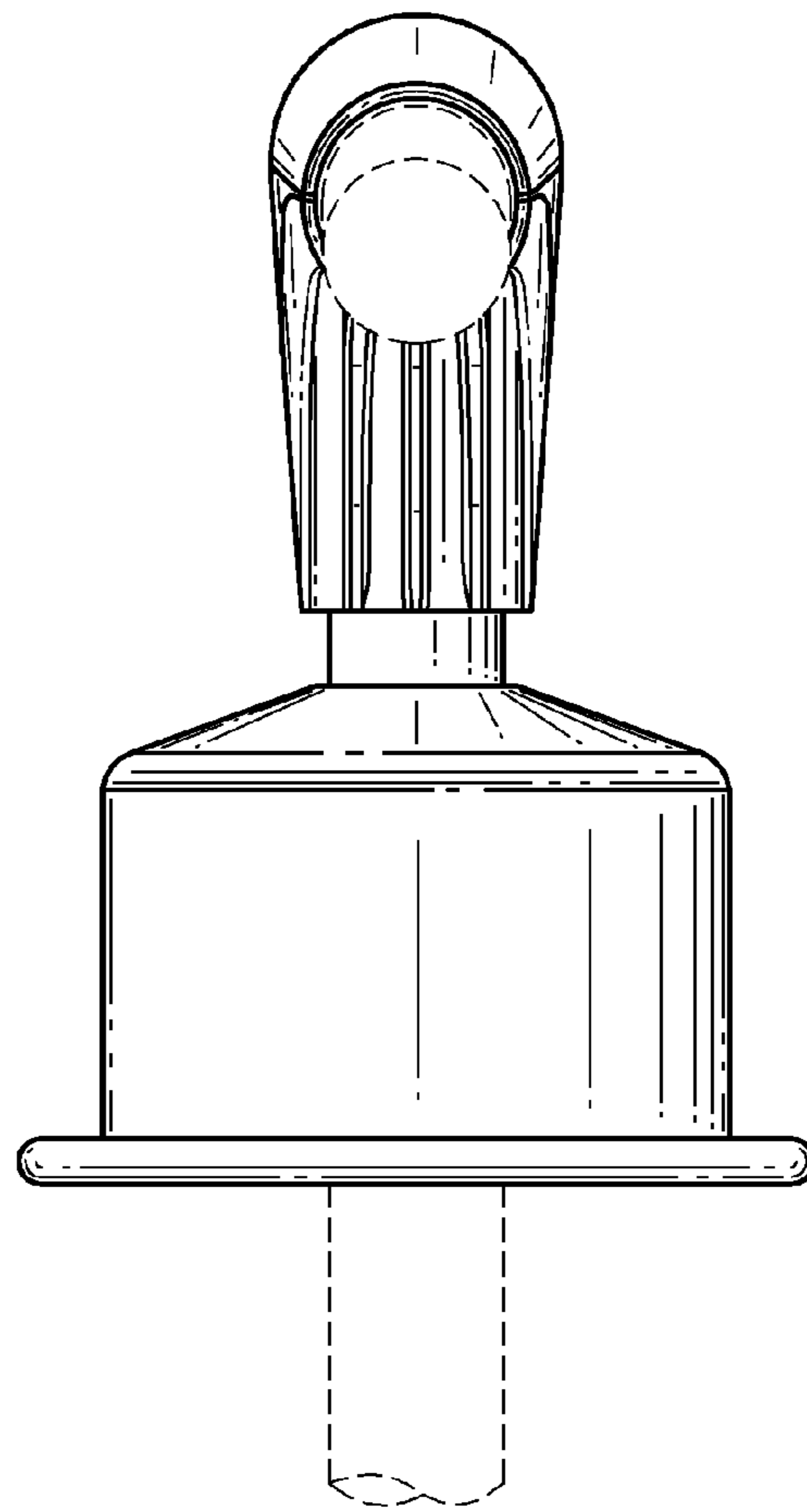


FIG. 6