



US00D658434S

(12) **United States Design Patent**  
**Zemel**

(10) **Patent No.:** **US D658,434 S**

(45) **Date of Patent:** **\*\* May 1, 2012**

(54) **UTENSIL HANDLE**

(75) **Inventor:** **Marc Zemel**, Melville, NY (US)

(73) **Assignee:** **Mr. Bar-B-Q-, Inc.**, Old Bethpage, NY (US)

(\*\*) **Term:** **14 Years**

(21) **Appl. No.:** **29/401,572**

(22) **Filed:** **Sep. 13, 2011**

(51) **LOC (9) Cl.** ..... **07-02**

(52) **U.S. Cl.** ..... **D7/393**

(58) **Field of Classification Search** ..... D7/393,  
D7/395, 401.2, 683, 685, 686, 687, 688;  
D8/39, 52-55, 107; 294/3, 11, 16, 99.1,  
294/99.2, 100, 103.1, 104, 106, 110.1, 115

See application file for complete search history.

(56) **References Cited**

**U.S. PATENT DOCUMENTS**

D447,430 S	*	9/2001	Kehoe	.....	D10/57
D475,585 S	*	6/2003	Chen	.....	D7/686
D535,145 S		1/2007	Zemel		
D535,853 S		1/2007	Zemel		
D545,122 S		6/2007	Zemel		
D546,620 S		7/2007	Zemel		
D564,290 S		3/2008	Zemel		
D564,291 S		3/2008	Zemel		
D569,174 S	*	5/2008	Zemel	.....	D7/395
D572,079 S	*	7/2008	Zemel	.....	D7/395
D572,080 S	*	7/2008	Zemel	.....	D7/395
D588,867 S		3/2009	Zemel		
D601,849 S		10/2009	Zemel		

**OTHER PUBLICATIONS**

U.S. Appl. No. 29/394,761, filed Jun. 21, 2011, Marc Zemel.

U.S. Appl. No. 29/397,392, filed Jul. 15, 2011, Marc Zemel.

U.S. Appl. No. 29/397,393, filed Jul. 15, 2011, Marc Zemel.

U.S. Appl. No. 29/399,960, filed Aug. 22, 2011, Marc Zemel.

\* cited by examiner

*Primary Examiner* — Cynthia M Chin

(74) *Attorney, Agent, or Firm* — Carter, DeLuca, Farrell & Schmidt LLP

(57) **CLAIM**

The ornamental design for a utensil handle, as shown and described.

**DESCRIPTION**

FIG. 1 is a front side perspective view of a utensil handle in accordance with the present design;

FIG. 2 is a right side elevational view thereof;

FIG. 3 is a left side elevational view thereof;

FIG. 4 is a front elevational view thereof;

FIG. 5 is a rear elevational view thereof;

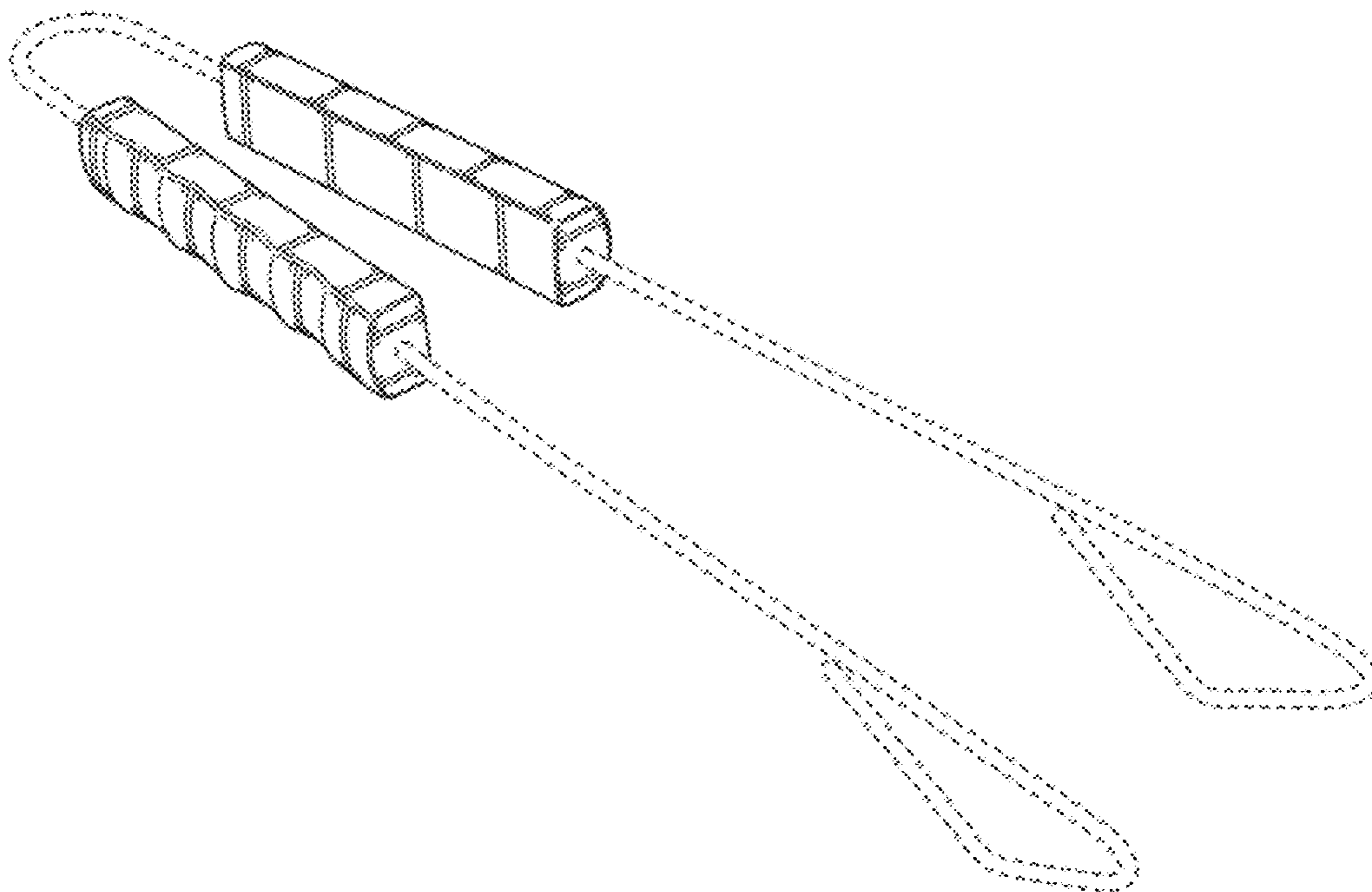
FIG. 6 is a top plan view thereof; and,

FIG. 7 is a bottom plan view thereof.

The broken lines shown are included for the purpose of illustrating a portion of the utensil handle that forms no part of the claimed design.

The stippling in the drawings is for shading purposes only.

**1 Claim, 4 Drawing Sheets**



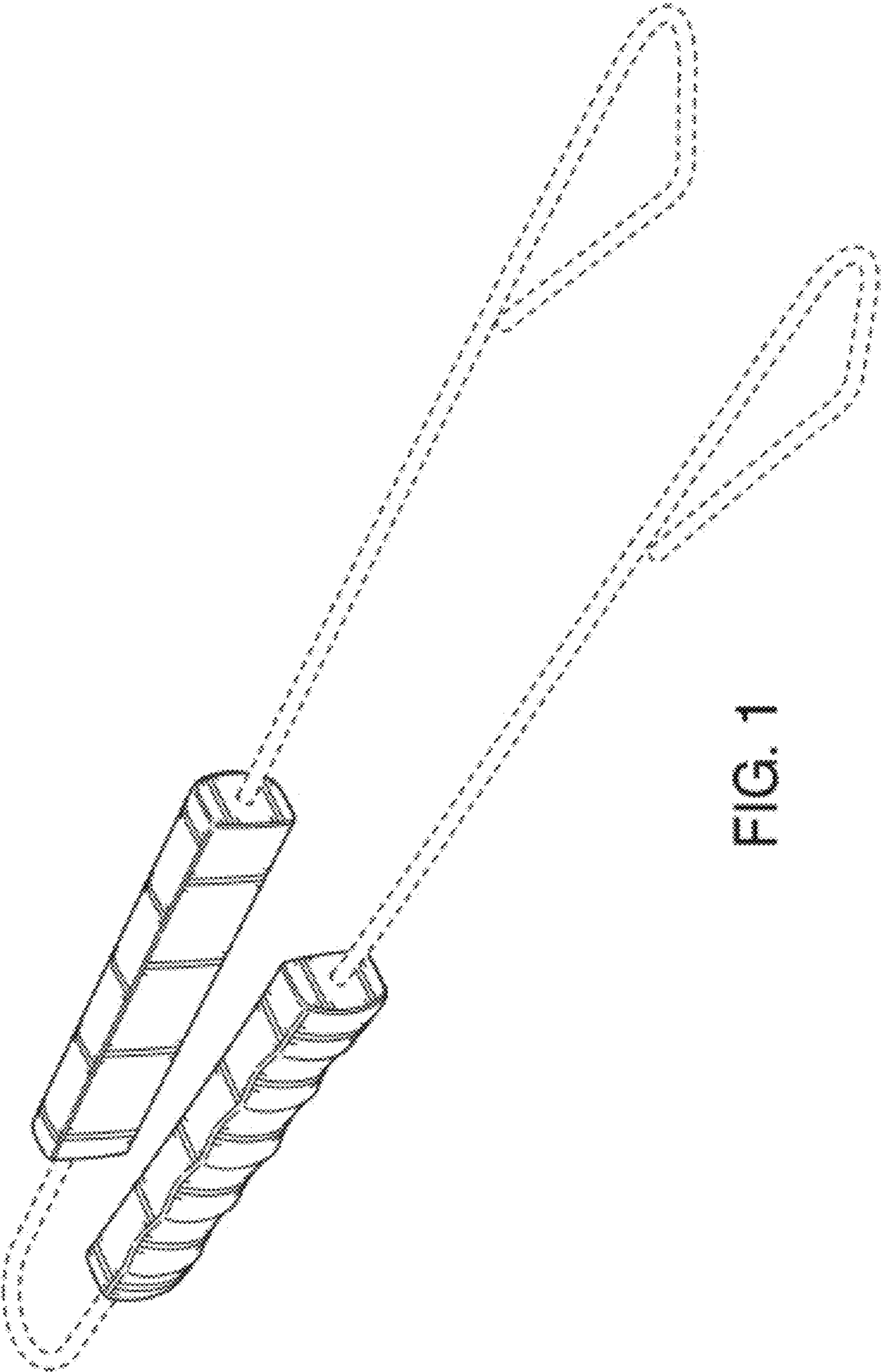


FIG. 1



FIG. 2

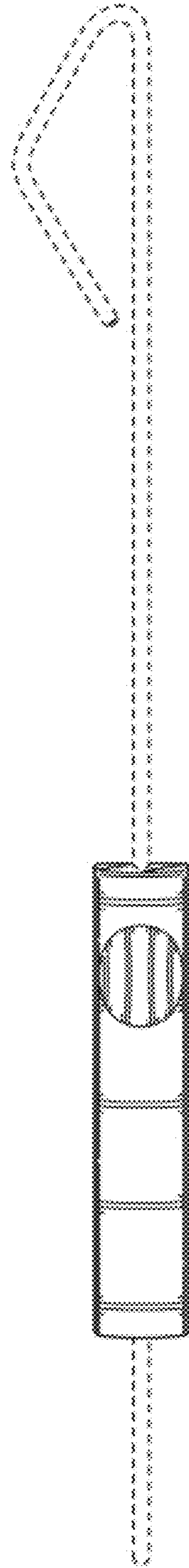


FIG. 3

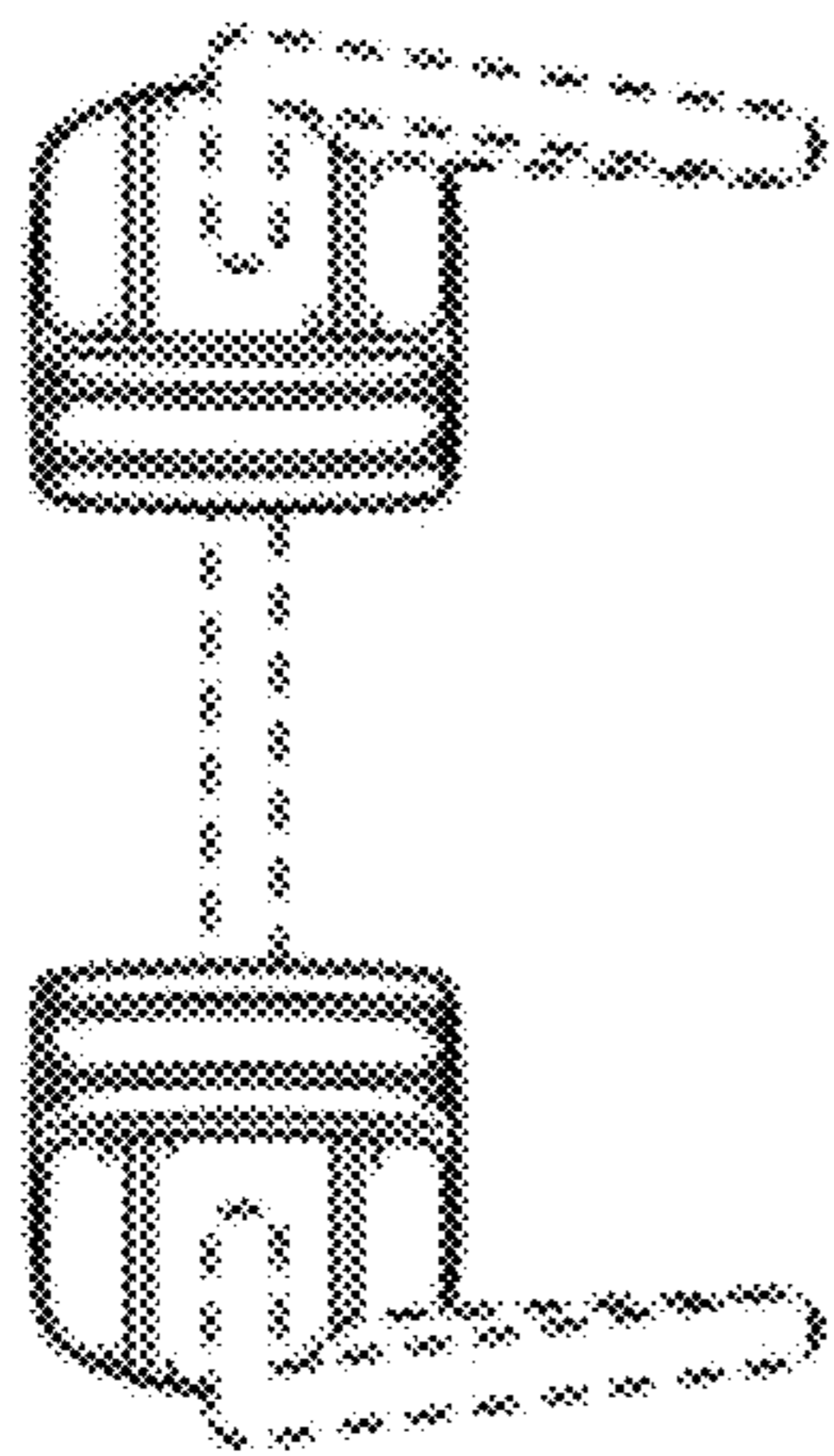


FIG. 4

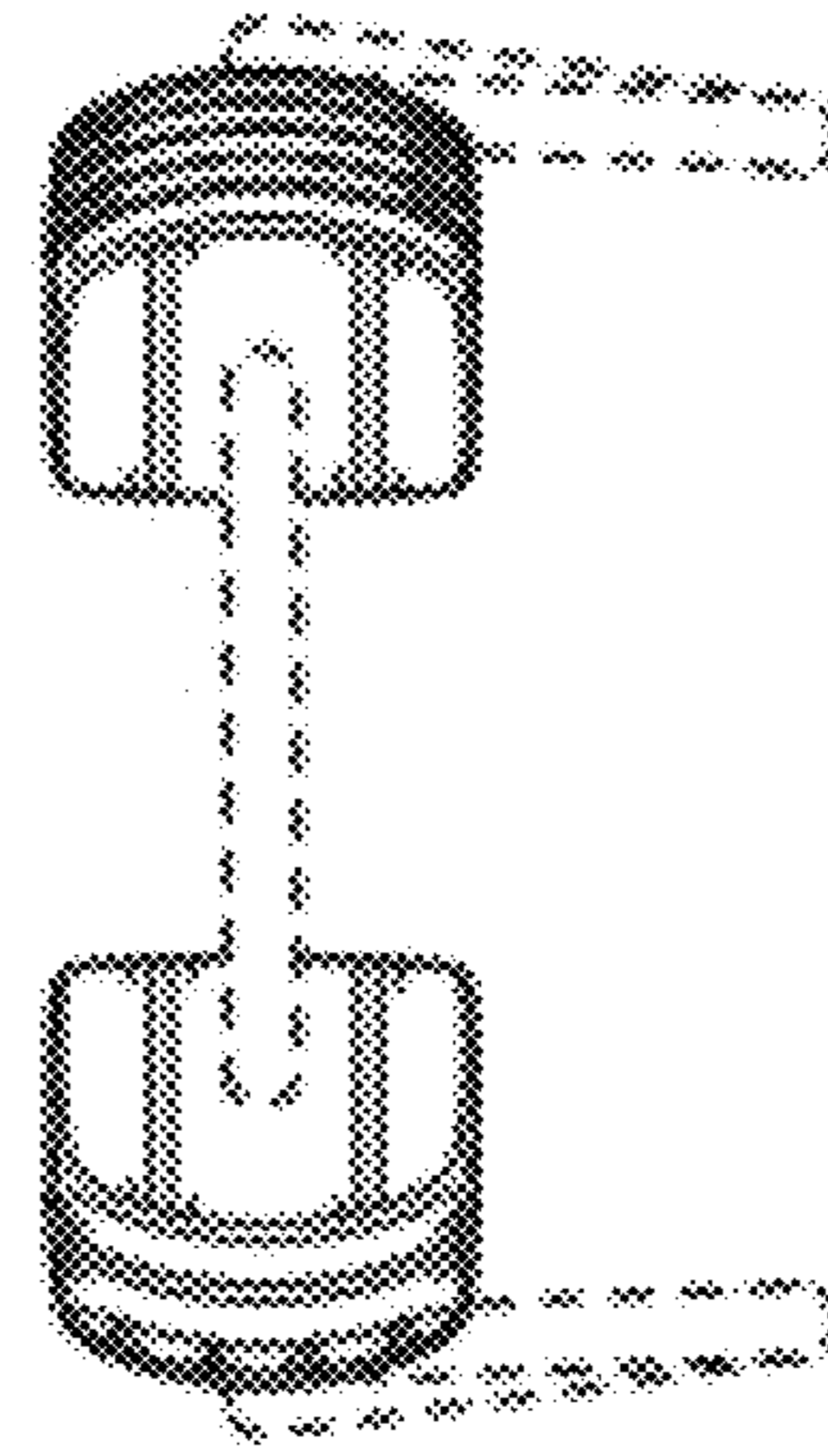


FIG. 5

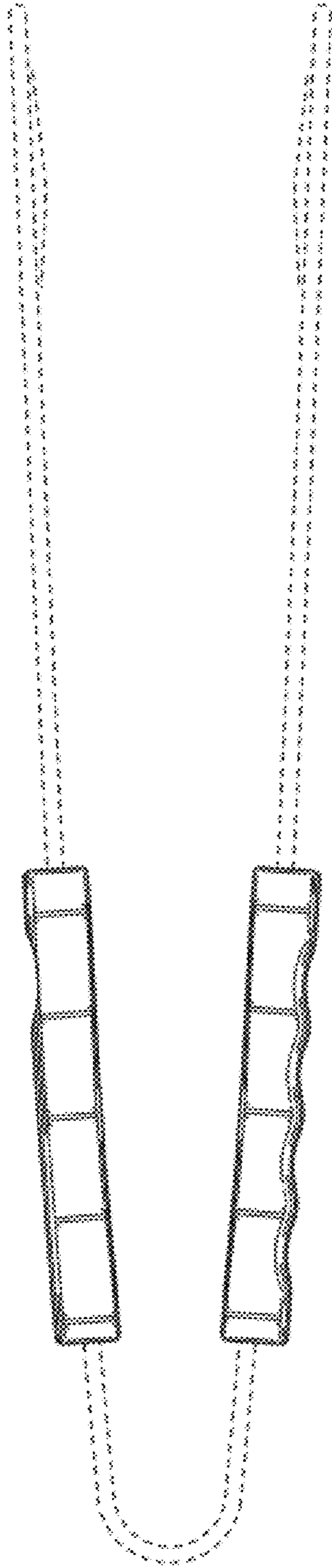


FIG. 6

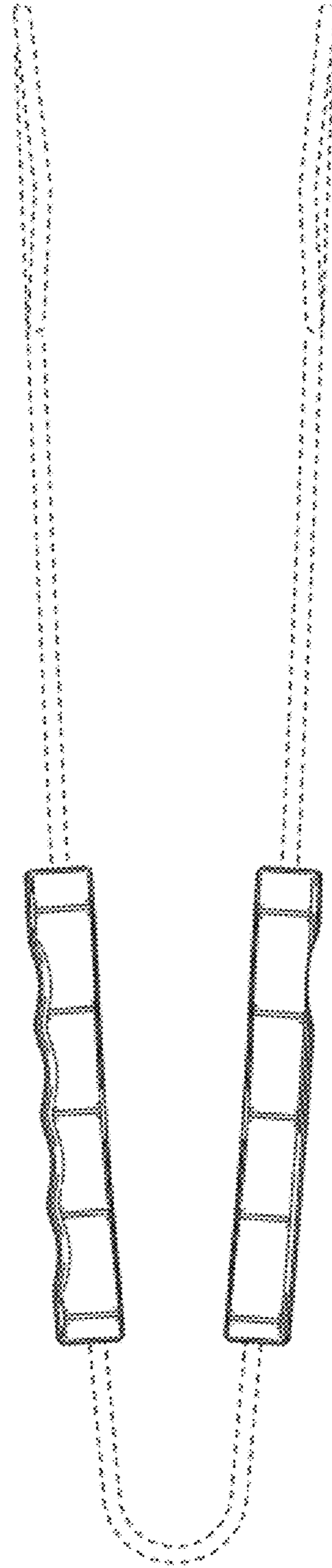


FIG. 7