



US00D658433S

(12) **United States Design Patent**
Zemel

(10) **Patent No.:** **US D658,433 S**

(45) **Date of Patent:** **** May 1, 2012**

(54) **DETACHABLE HANDLE**

(75) Inventor: **Marc Zemel**, Melville, NY (US)

(73) Assignee: **Mr. BAR-B-Q-, Inc.**, Old Bethpage, NY (US)

(**) Term: **14 Years**

(21) Appl. No.: **29/398,654**

(22) Filed: **Aug. 3, 2011**

(51) **LOC (9) Cl.** **07-02**

(52) **U.S. Cl.** **D7/393**

(58) **Field of Classification Search** D7/354-361,
D7/393-395; D8/107, 300, 303, 307; D4/138,
D4/129; 16/421, 430, 431, 110.1, 407;
220/573.1-573.5, 752, 753, 755, 757, 756,
220/759, 762, 771, 912; 99/422

See application file for complete search history.

(56) **References Cited**

U.S. PATENT DOCUMENTS

1,943,585	A *	1/1934	Cummins et al.	220/759
2,784,996	A *	3/1957	Schaefer	D7/395
2,791,350	A *	5/1957	Mennen	220/620
2,995,998	A *	8/1961	Howland	220/759
D202,512	S *	10/1965	Imhoff	D7/395
3,297,349	A *	1/1967	Pryce	220/759
D207,237	S *	3/1967	Ressler	D7/395
3,420,401	A *	1/1969	Maslow	220/759
3,760,501	A *	9/1973	Johnston	D7/683
D279,161	S *	6/1985	Gould	D7/393
D284,540	S *	7/1986	Baumgarten	D7/393
4,653,468	A *	3/1987	Lemme et al.	16/431
D298,404	S *	11/1988	Lemme et al.	D7/393
D338,804	S *	8/1993	Crawford	D7/395
D394,186	S *	5/1998	Dodane	D7/395
D395,789	S *	7/1998	Dodane	D7/395
D409,912	S *	5/1999	Brennan	D9/434
D427,858	S	7/2000	Zemel	
6,237,471	B1 *	5/2001	Nam	99/422
6,298,775	B1 *	10/2001	Chen	99/422
D456,207	S	4/2002	Zemel	

D456,615	S	5/2002	Zemel	
6,393,973	B1 *	5/2002	Velo et al.	99/422
D463,952	S	10/2002	Zemel	
D465,336	S	11/2002	Zemel	
D474,644	S	5/2003	Zemel	
D476,525	S	7/2003	Zemel	
D482,566	S	11/2003	Zemel	
D482,569	S	11/2003	Zemel	
6,712,412	B2 *	3/2004	Kahler et al.	220/759
6,739,473	B2 *	5/2004	Kahler et al.	220/759
D494,006	S	8/2004	Zemel	

(Continued)

OTHER PUBLICATIONS

U.S. Appl. No. 29/401,580, filed Sep. 13, 2011, Marc Zemel.

(Continued)

Primary Examiner — Cynthia M Chin

(74) *Attorney, Agent, or Firm* — Carter, DeLuca, Farrell & Schmidt, LLP

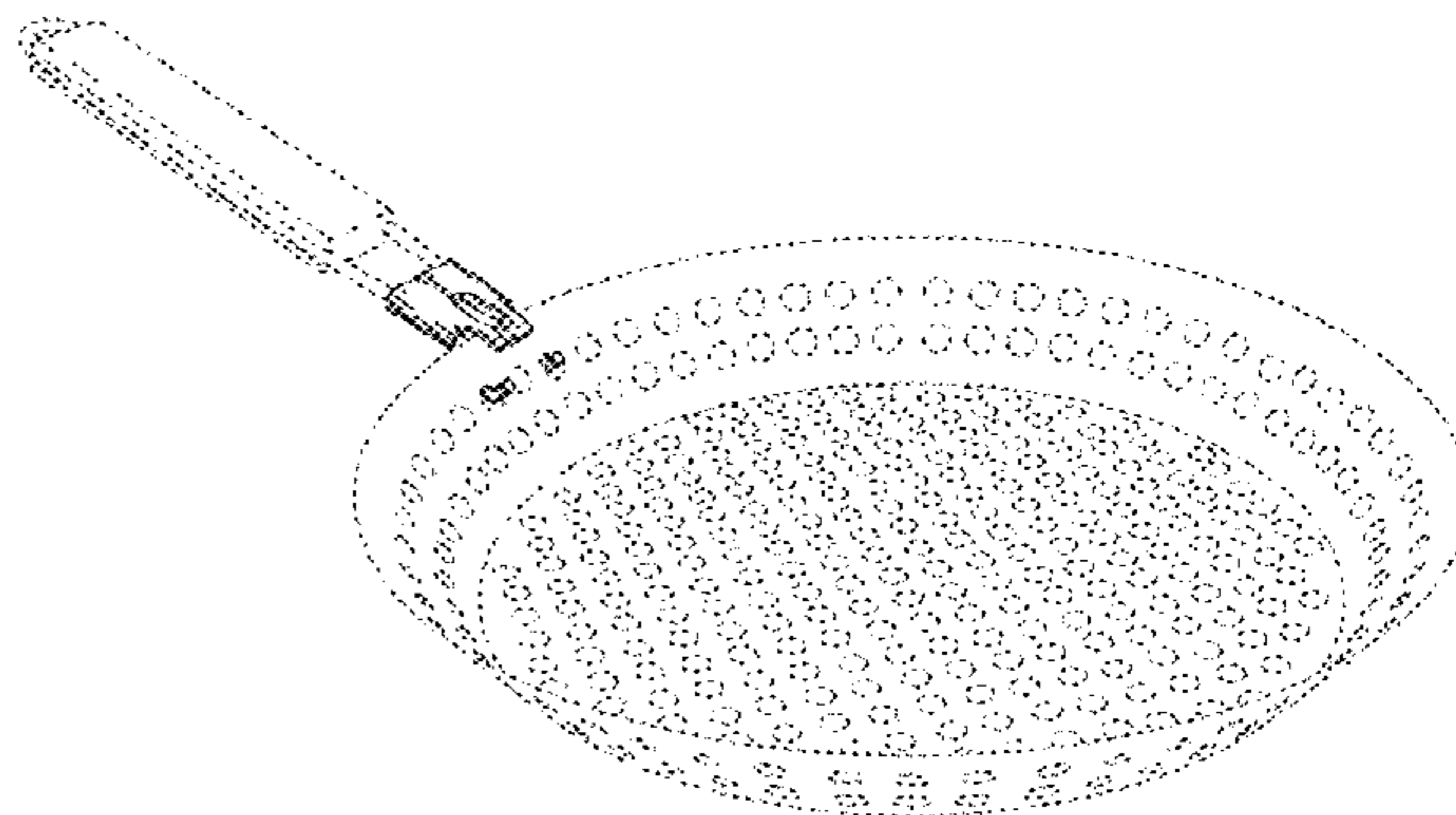
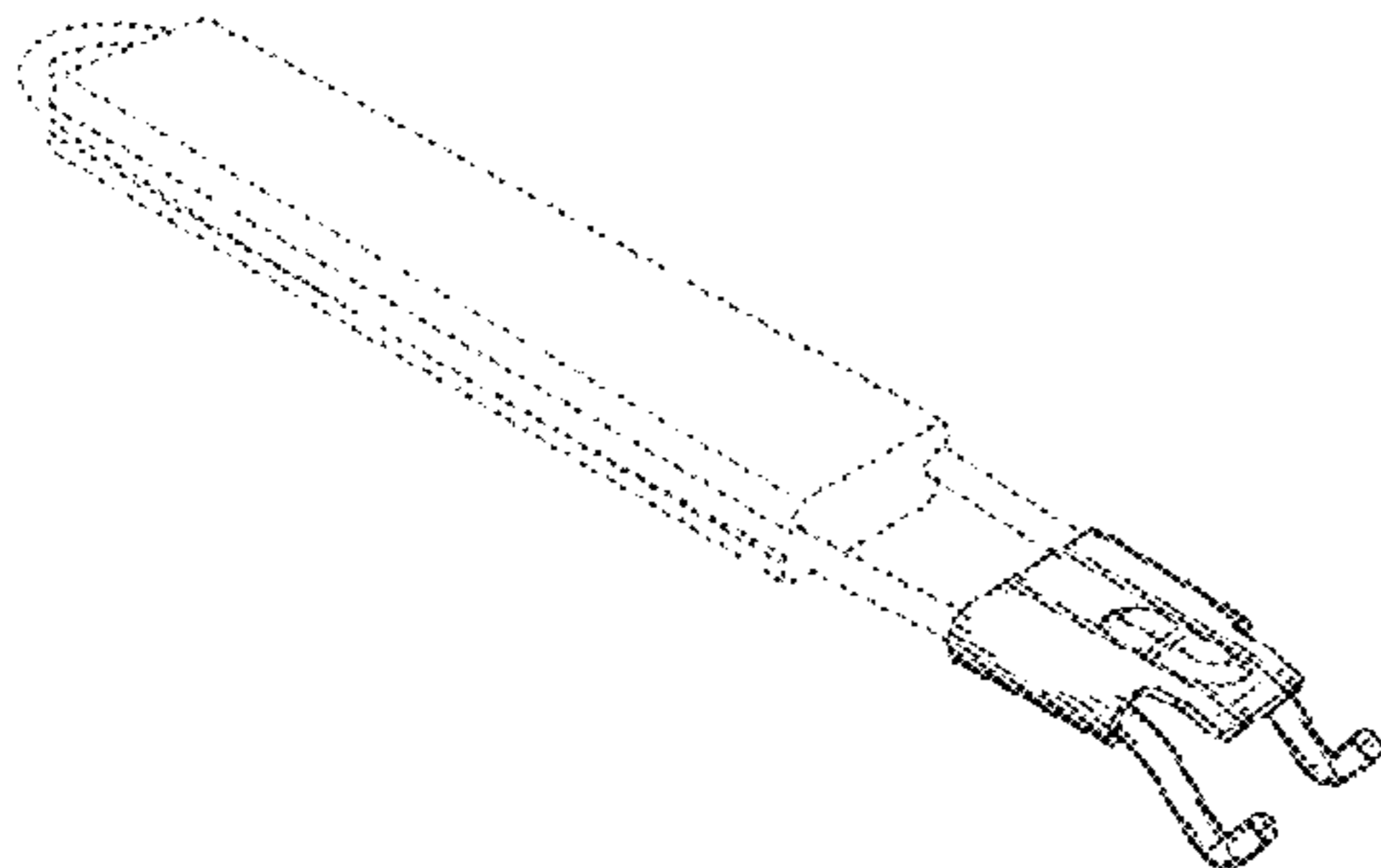
(57) **CLAIM**

The ornamental design for a detachable handle, as shown and described.

DESCRIPTION

FIG. 1 is a front side perspective view of a detachable handle in accordance with the present design; FIG. 2 is a top plan view thereof; FIG. 3 is a bottom view thereof; FIG. 4 is a right side elevational view thereof, the other side being a mirror image thereof; FIG. 5 is a front elevational view thereof; FIG. 6 is a rear elevational view thereof; and, FIG. 7 is a perspective view of the detachable handle in the environment of a grill topper. The broken line showing of the handle in FIGS. 1-7 and the grill topper in FIG. 7 is included for the purpose of showing the environment in which the detachable handle resides and forms no part of the claimed design.

1 Claim, 4 Drawing Sheets



US D658,433 S

Page 2

U.S. PATENT DOCUMENTS

D494,807 S 8/2004 Zemel
D496,558 S 9/2004 Zemel
D528,857 S 9/2006 Zemel
D529,333 S 10/2006 Zemel
D529,335 S 10/2006 Zemel
D531,853 S 11/2006 Zemel
D533,397 S 12/2006 Zemel
D534,001 S 12/2006 Zemel
D535,147 S 1/2007 Zemel
D535,519 S 1/2007 Zemel
D544,750 S 6/2007 Zemel
D545,120 S 6/2007 Zemel
D545,121 S 6/2007 Zemel
D550,504 S 9/2007 Zemel
D562,062 S 2/2008 Zemel
D562,064 S 2/2008 Zemel
D563,675 S 3/2008 Zemel
D564,292 S 3/2008 Zemel

D566,460 S 4/2008 Zemel
D569,174 S 5/2008 Zemel
D572,079 S 7/2008 Zemel
D572,080 S 7/2008 Zemel
D574,184 S 8/2008 Zemel
D579,269 S 10/2008 Zemel
D579,668 S 11/2008 Zemel
D580,659 S 11/2008 Zemel
D588,868 S 3/2009 Zemel
D618,499 S 6/2010 Zemel
D622,542 S 8/2010 Zemel

OTHER PUBLICATIONS

U.S. Appl. No. 29/396,910, filed Jul. 8, 2011, Marc Zemel.
U.S. Appl. No. 29/397,851, filed Jul. 21, 2011, Marc Zemel.
U.S. Appl. No. 29/394,748, filed Jun. 21, 2011, Marc Zemel.

* cited by examiner

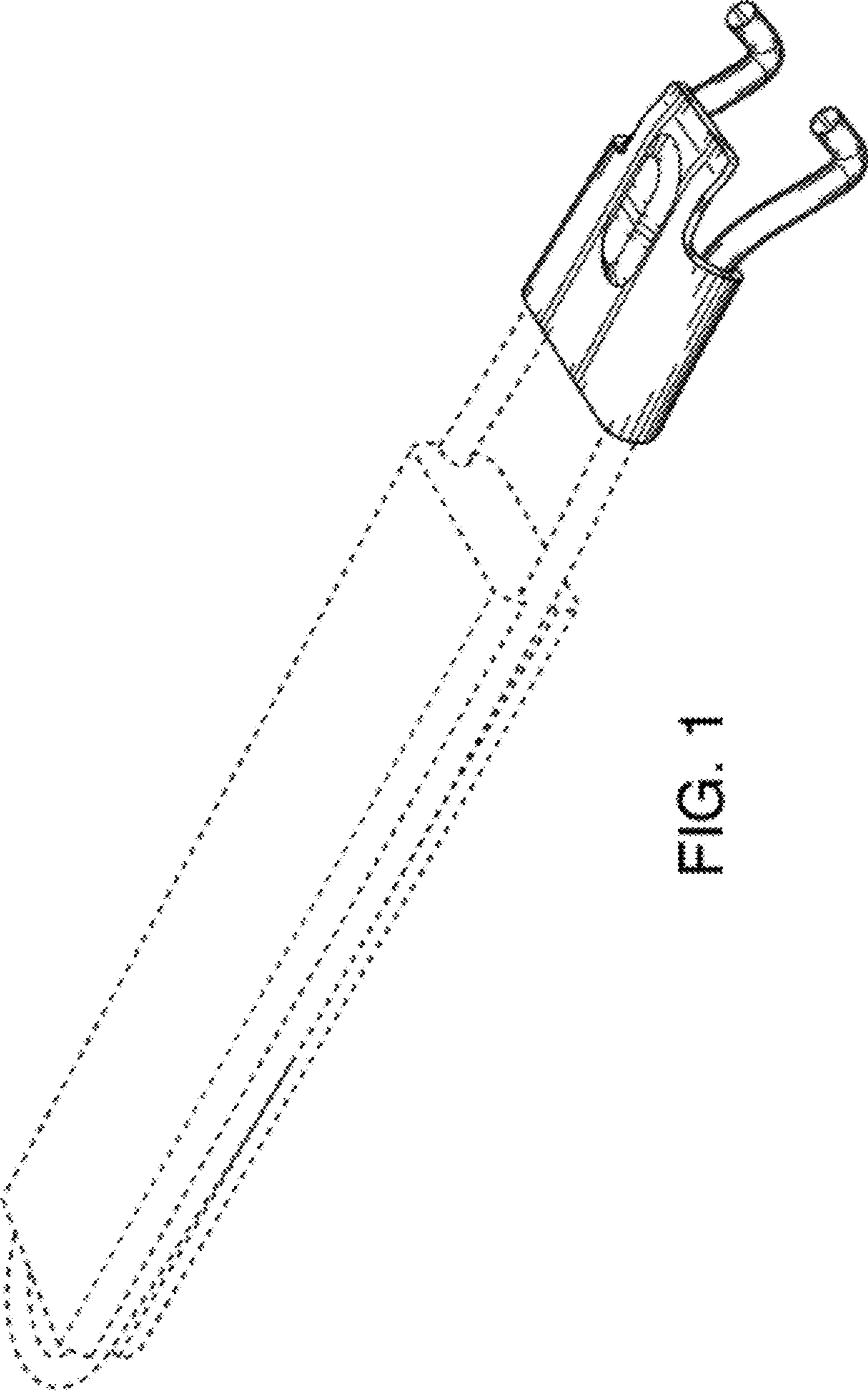


FIG. 1

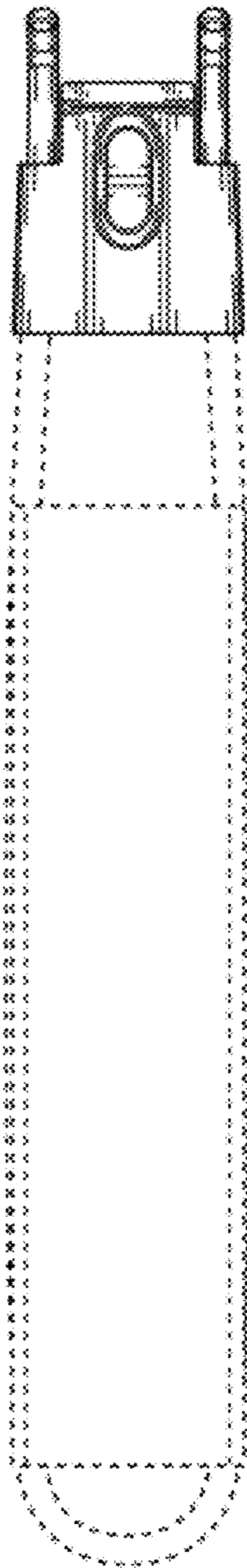


FIG. 2

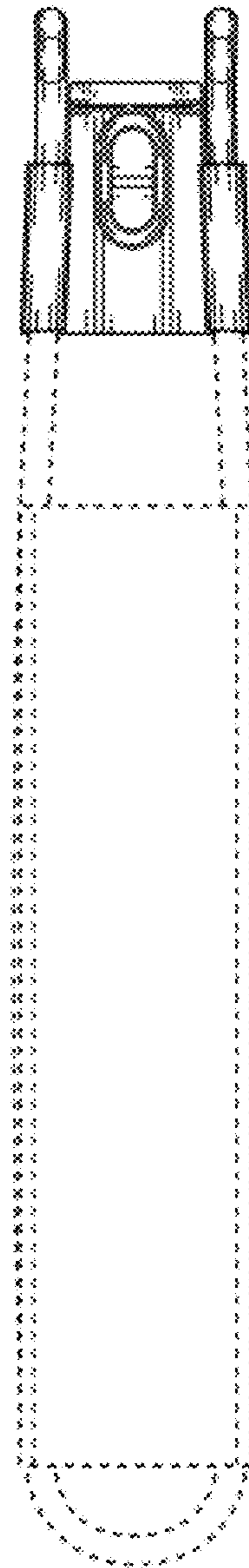


FIG. 3

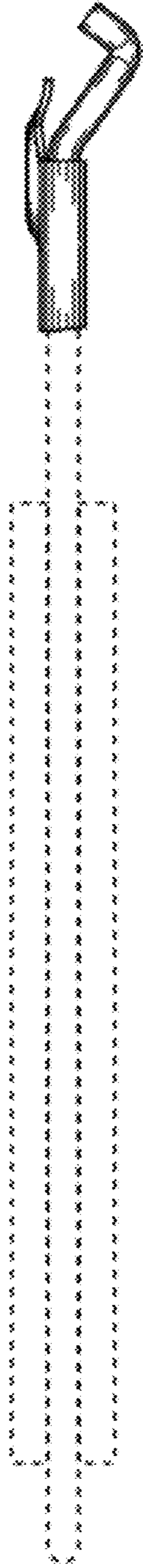


FIG. 4

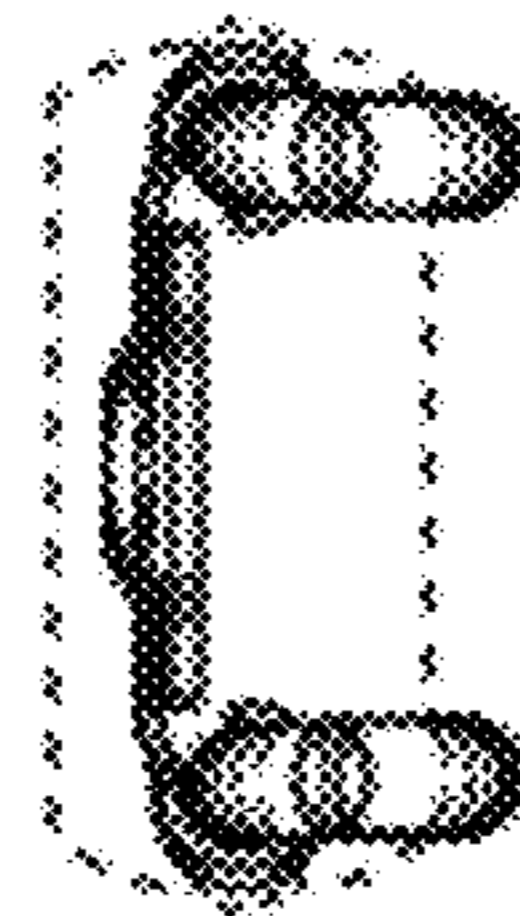


FIG. 5



FIG. 6

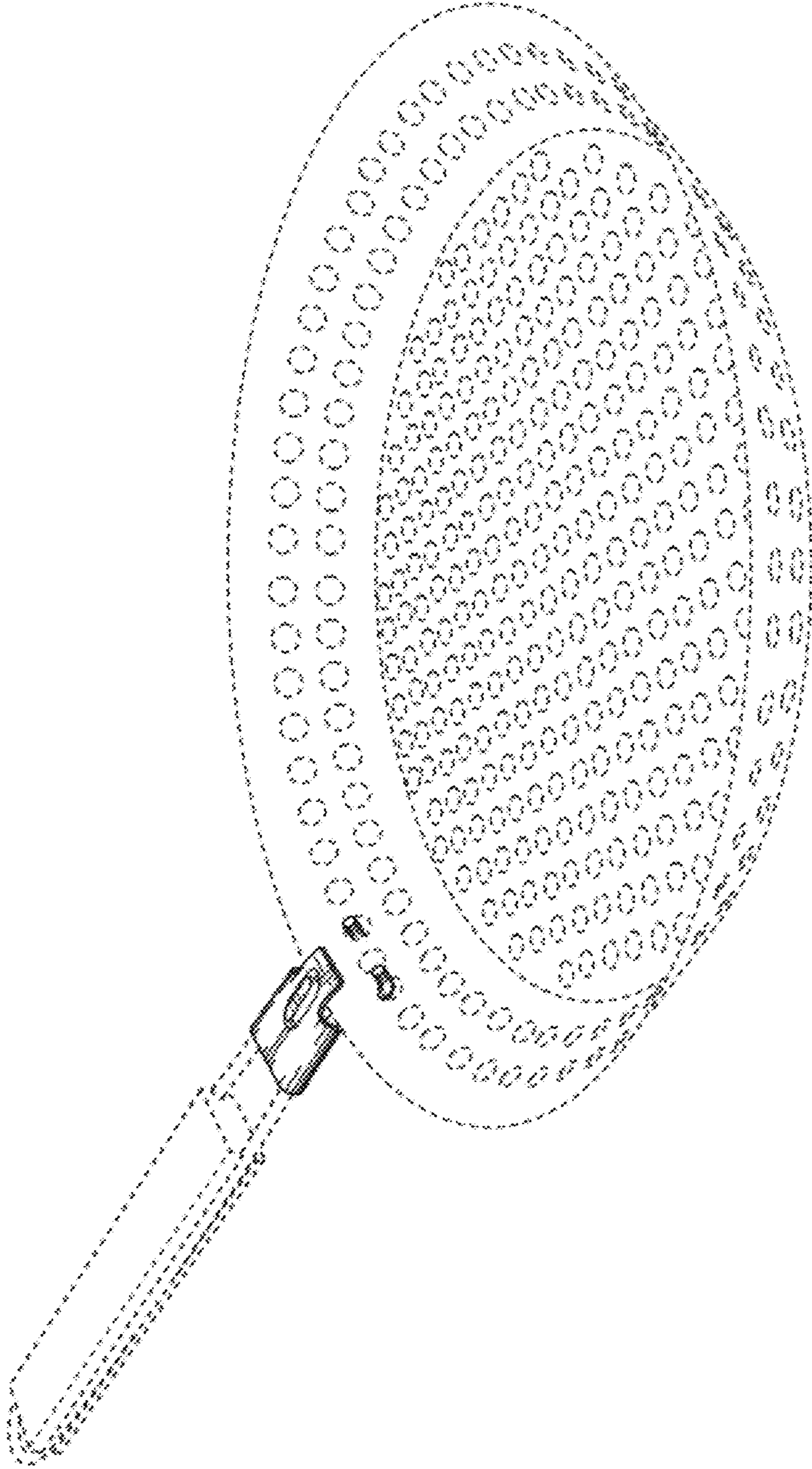


FIG. 7