



US00D658432S

(12) **United States Design Patent**
Zemel

(10) **Patent No.:** **US D658,432 S**
(45) **Date of Patent:** **** May 1, 2012**

- (54) **UTENSIL HANDLE**
- (75) Inventor: **Marc Zemel**, Melville, NY (US)
- (73) Assignee: **Mr. BAR-B-Q-, Inc.**, Old Bethpage, NY (US)
- (**) Term: **14 Years**
- (21) Appl. No.: **29/394,761**
- (22) Filed: **Jun. 21, 2011**
- (51) **LOC (9) Cl.** **07-02**
- (52) **U.S. Cl.** **D7/393**
- (58) **Field of Classification Search** D7/393,
D7/395, 401.2, 683, 685, 686, 687, 688;
D8/39, 52-55, 107; 294/3, 11, 16, 99.1,
294/99.2, 100, 103.1, 104, 106, 110.1, 115
See application file for complete search history.

- D535,853 S 1/2007 Zemel
- D545,122 S 6/2007 Zemel
- D546,620 S 7/2007 Zemel
- D564,290 S 3/2008 Zemel
- D564,291 S 3/2008 Zemel
- D588,867 S 3/2009 Zemel
- D601,849 S 10/2009 Zemel

* cited by examiner

Primary Examiner — Cynthia M Chin

(74) *Attorney, Agent, or Firm* — Carter, DeLuca, Farrell & Schmidt LLP

(57) **CLAIM**

The ornamental design for a utensil handle, as shown and described.

DESCRIPTION

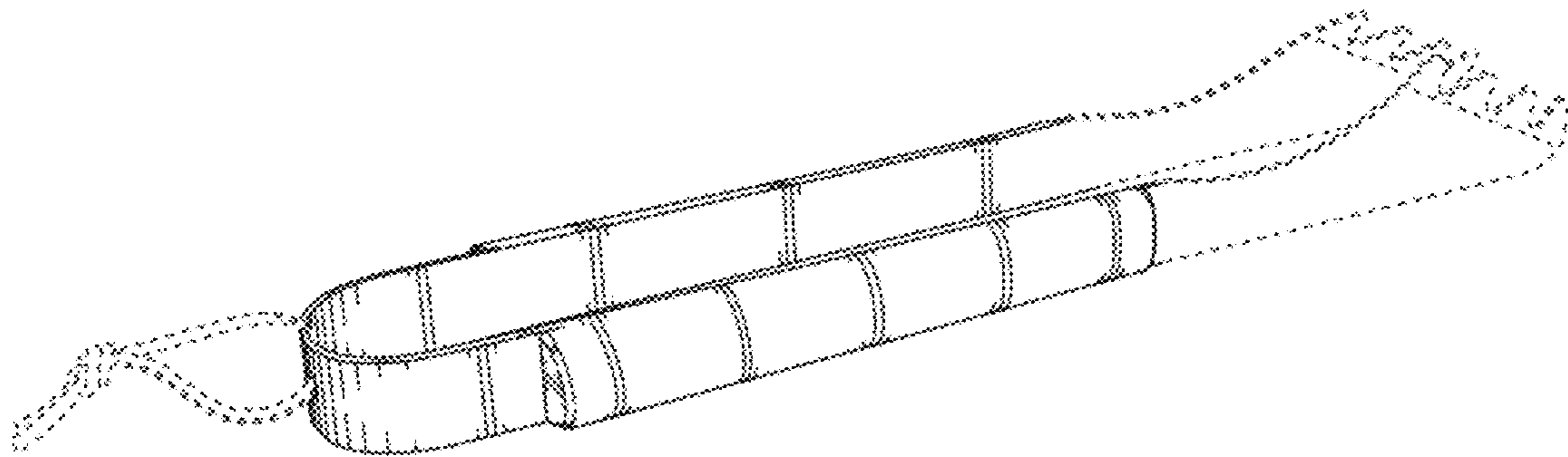
FIG. 1 is a perspective view of utensil handle in accordance with the present design;
 FIG. 2 is a right side elevational view thereof;
 FIG. 3 is a left side elevational view thereof;
 FIG. 4 is a top plan view thereof;
 FIG. 5 is a bottom view thereof;
 FIG. 6 is a front elevational view thereof; and,
 FIG. 7 is a rear elevational view thereof.
 The broken lines shown are included for the purpose of illustrating a portion of the utensil handle that forms no part of the claimed design.

(56) **References Cited**

U.S. PATENT DOCUMENTS

D392,849 S	*	3/1998	Zeller	D7/686
D414,653 S	*	10/1999	Kaposi et al.	D7/401.2
D444,041 S	*	6/2001	Thuma	D7/686
D461,379 S	*	8/2002	Wang	D7/686
D510,845 S	*	10/2005	Holcomb et al.	D7/688
D511,804 S	*	11/2005	Mullen	D22/149
D519,332 S	*	4/2006	Sanchez	D7/686
D535,145 S		1/2007	Zemel		

1 Claim, 4 Drawing Sheets



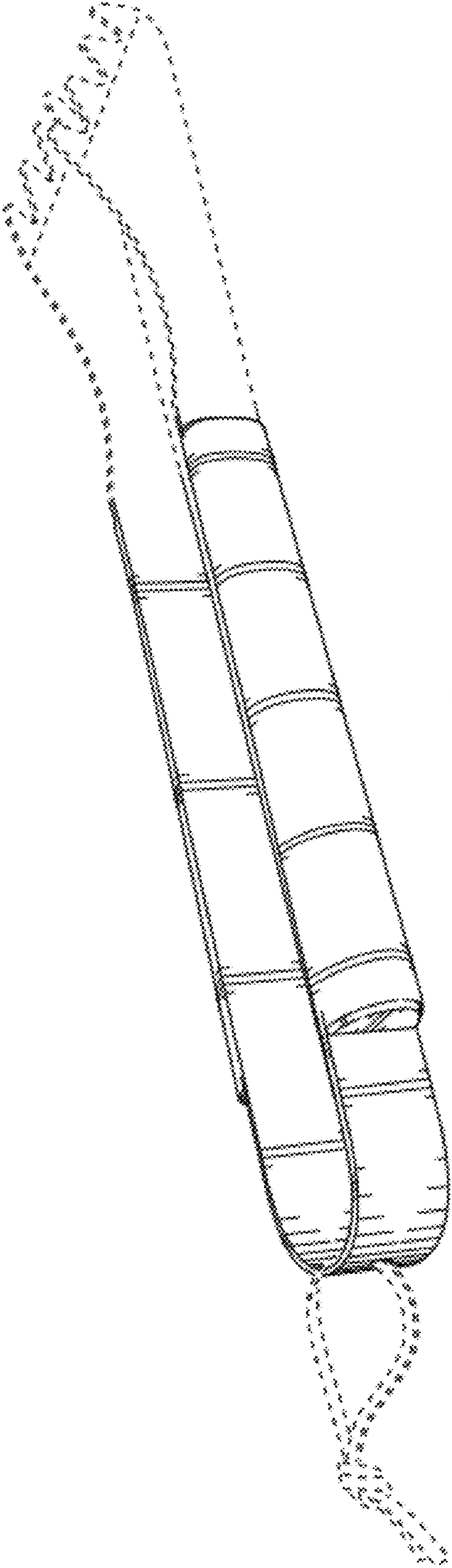


FIG. 1

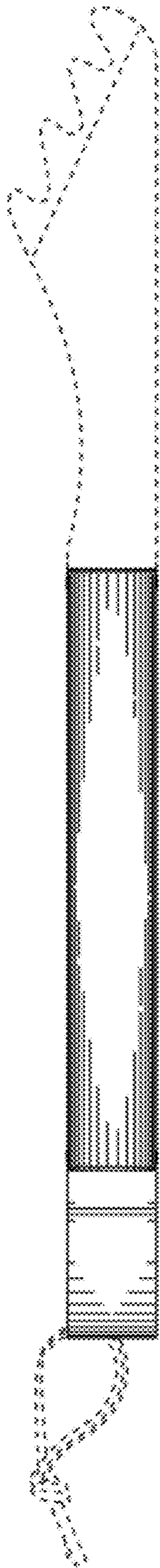


FIG. 2

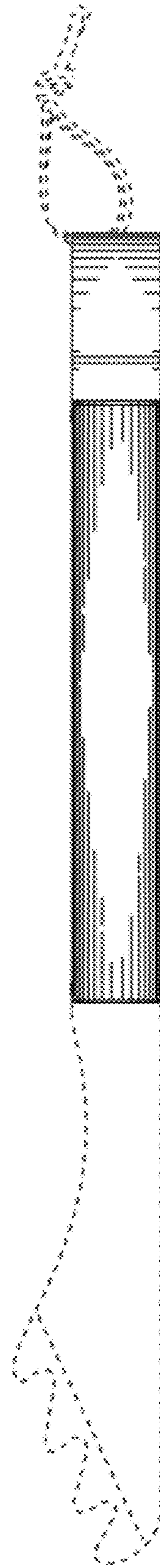


FIG. 3

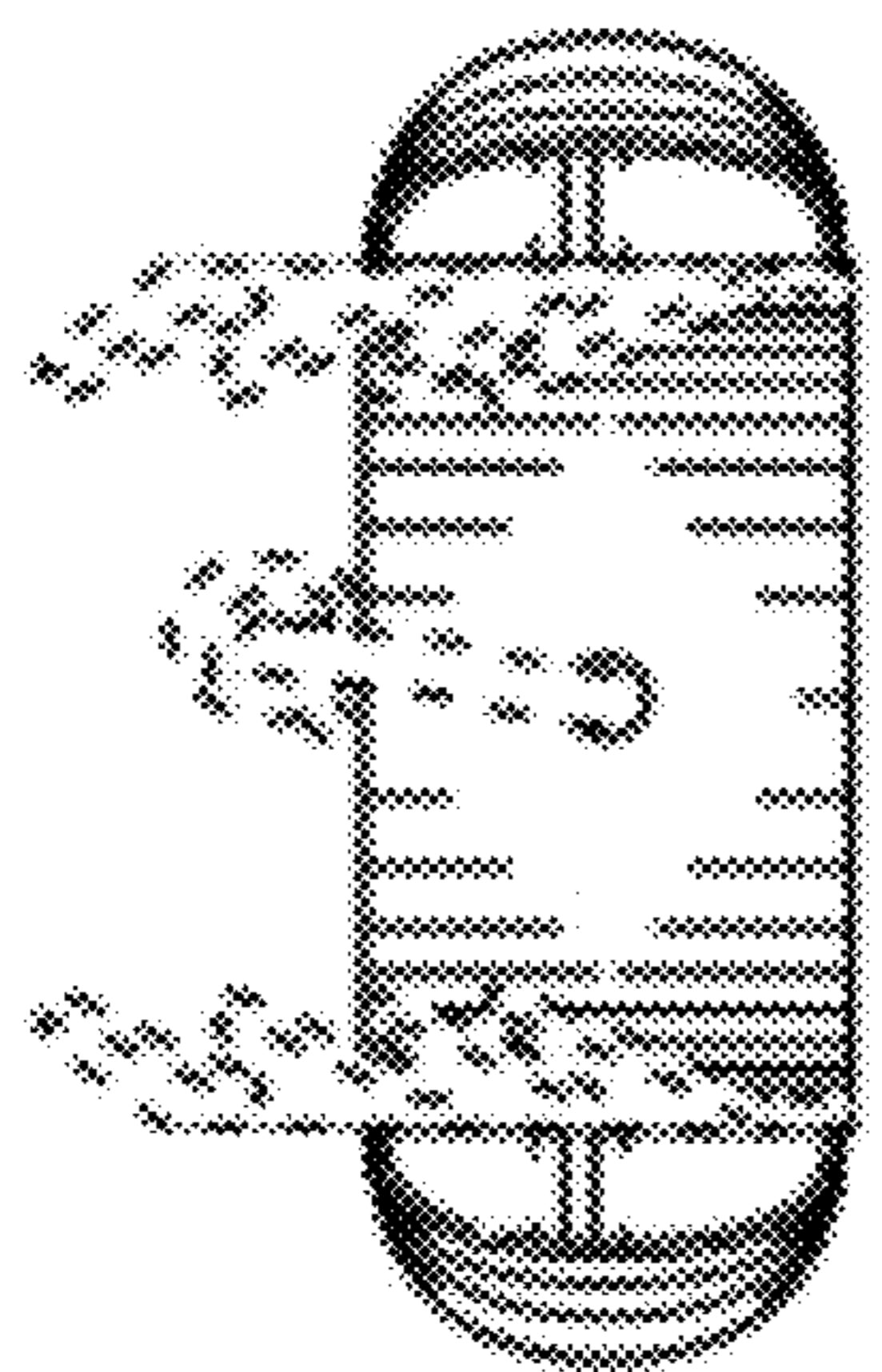


FIG. 4

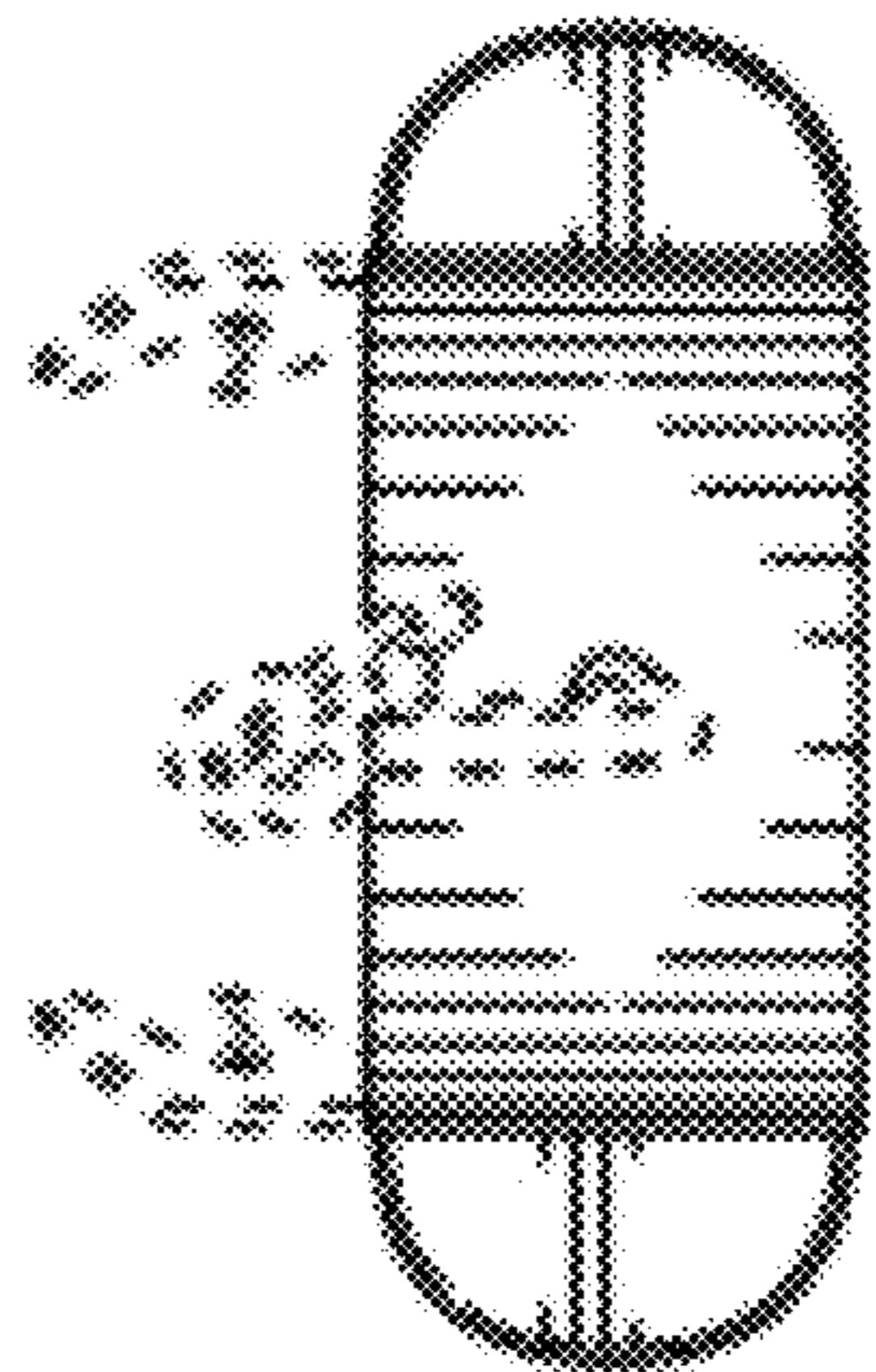


FIG. 5

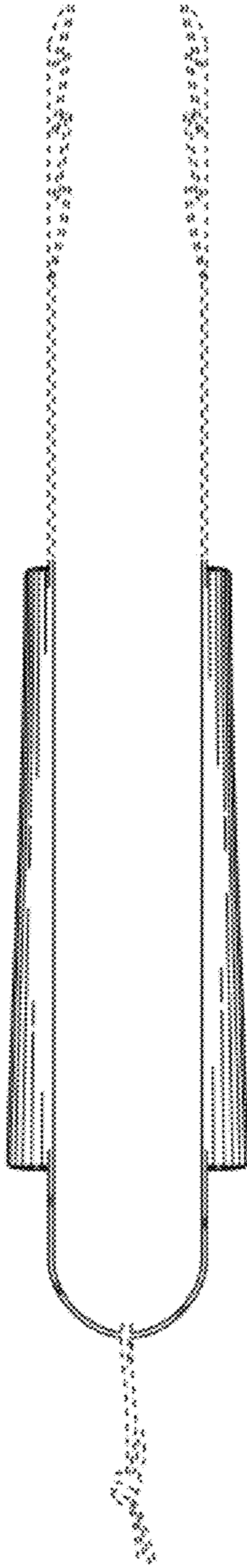


FIG. 6

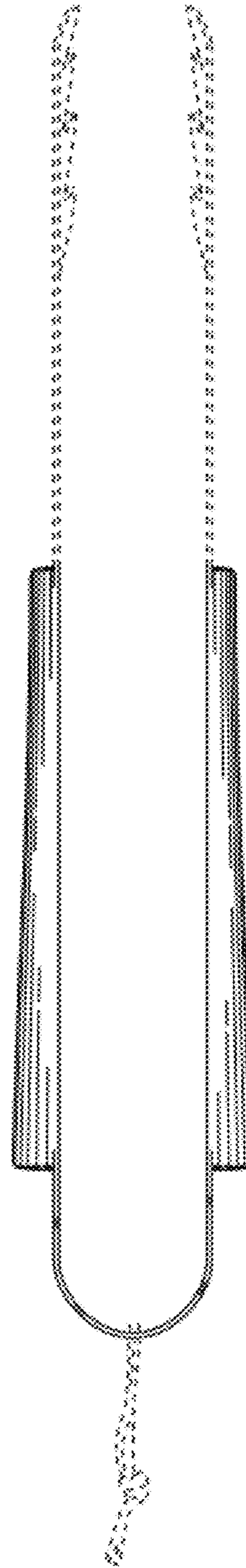


FIG. 7